



US00D796382S

(12) **United States Design Patent**
Lai

(10) **Patent No.:** **US D796,382 S**

(45) **Date of Patent:** **** Sep. 5, 2017**

- (54) **SOLAR ENERGY TRAILER**
- (71) Applicant: **Avertronics Inc.**, Taichung (TW)
- (72) Inventor: **Bing-Yuan Lai**, Taichung (TW)
- (73) Assignee: **Avertronics Inc.**, Taichung (TW)
- (**) Term: **15 Years**
- (21) Appl. No.: **29/561,678**
- (22) Filed: **Apr. 19, 2016**
- (51) **LOC (10) Cl.** **12-10**
- (52) **U.S. Cl.**
USPC **D12/101; D13/102**
- (58) **Field of Classification Search**
USPC D12/19, 100-106, 111-112, 129;
D13/102; D21/425, 435; D34/12, 16-19,
D34/21-26
CPC B62D 35/00; B62D 35/02; A62B 3/005;
B60P 3/10; B60P 3/1033; E01F 15/14
See application file for complete search history.

- D584,223 S * 1/2009 Cooper D13/102
- D625,667 S * 10/2010 Oviedo D12/102
- D727,842 S * 4/2015 Auberton-Herve D13/102
- D742,815 S * 11/2015 Shaw D12/103
- D758,922 S * 6/2016 Cavallo D12/102
- 2012/0042936 A1* 2/2012 Feichtinger B62K 27/003
136/252
- 2012/0291847 A1* 11/2012 Rowe, Jr. H02S 30/20
136/245

* cited by examiner

Primary Examiner — Darlington Ly
(74) *Attorney, Agent, or Firm* — Alan D. Kamrath;
Kamrath IP Lawfirm, P.A.

(57) **CLAIM**

The ornamental design for a solar energy trailer, as shown and described.

DESCRIPTION

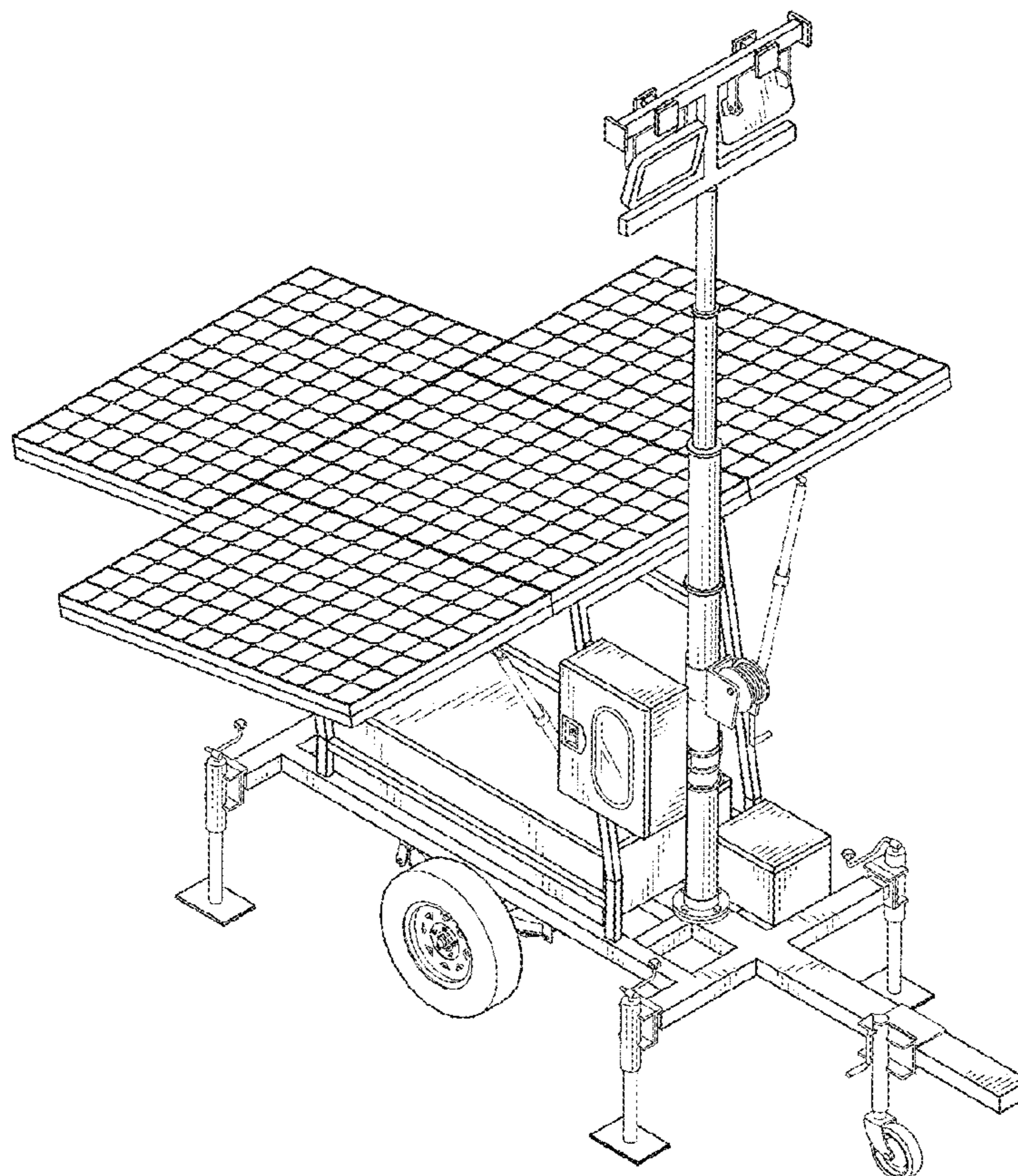
FIG. 1 is a top, front, and right side perspective view of a solar energy trailer showing my new design; FIG. 2 is a right side elevation view thereof; FIG. 3 is a left side elevation view thereof; FIG. 4 is a front elevation view thereof; FIG. 5 is a rear elevation view thereof; FIG. 6 is a top plan view thereof; and, FIG. 7 is a top, front, and right side perspective view thereof showing the solar panels spread opened.

1 Claim, 5 Drawing Sheets

(56) **References Cited**

U.S. PATENT DOCUMENTS

- D340,681 S * 10/1993 Alpiser D12/101
- D392,223 S * 3/1998 Alpiser D12/101



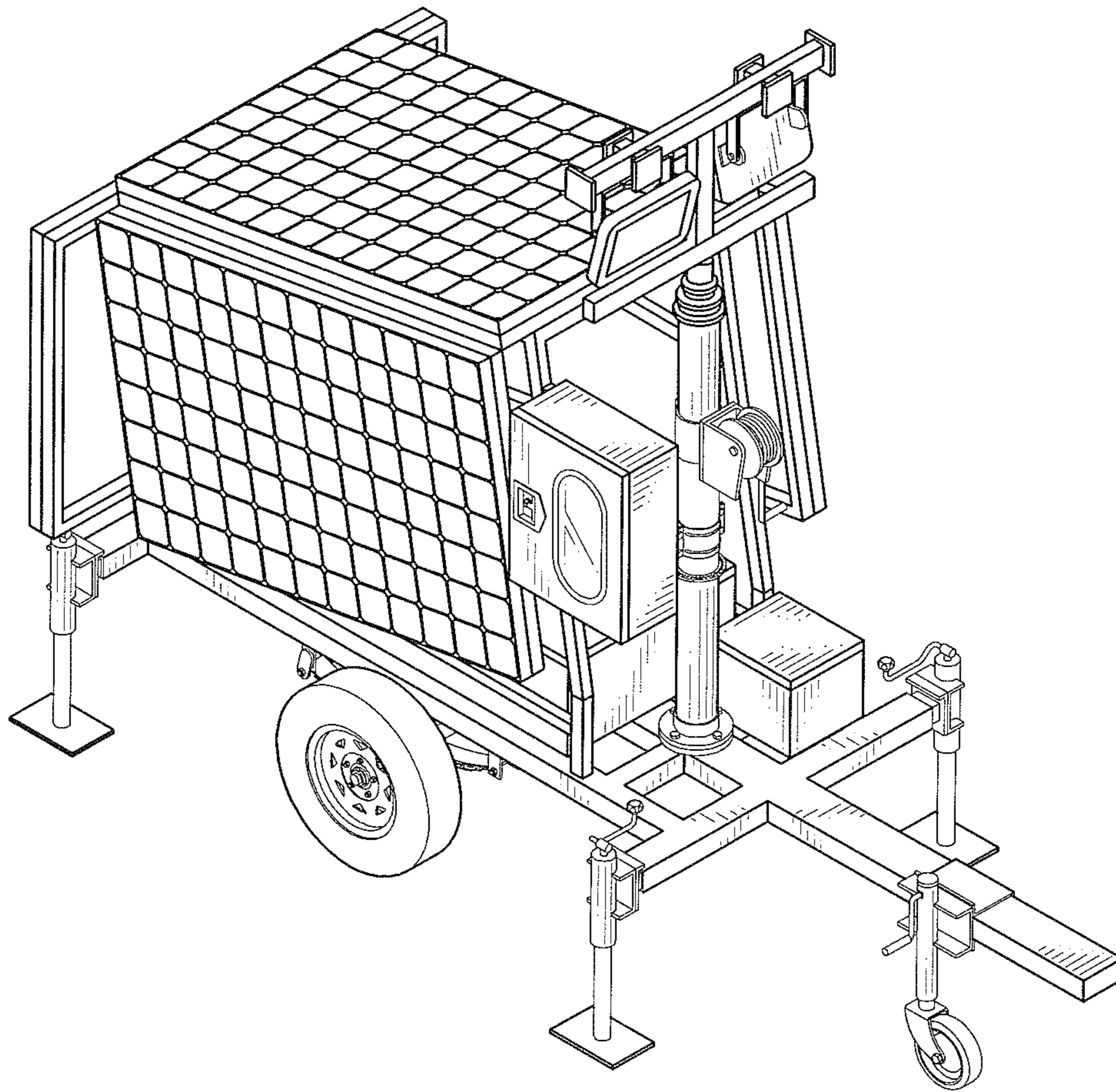


FIG. 1

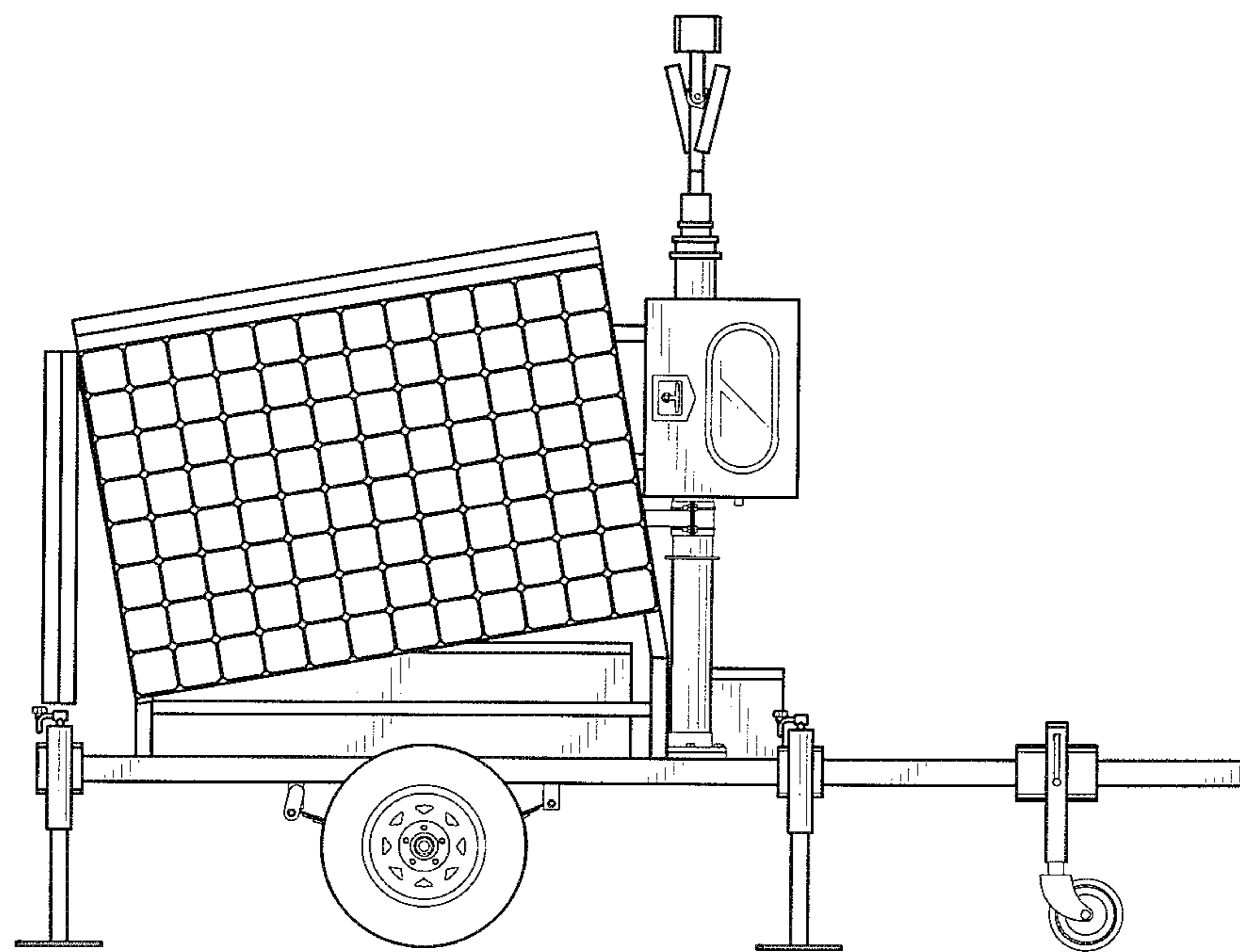


FIG. 2

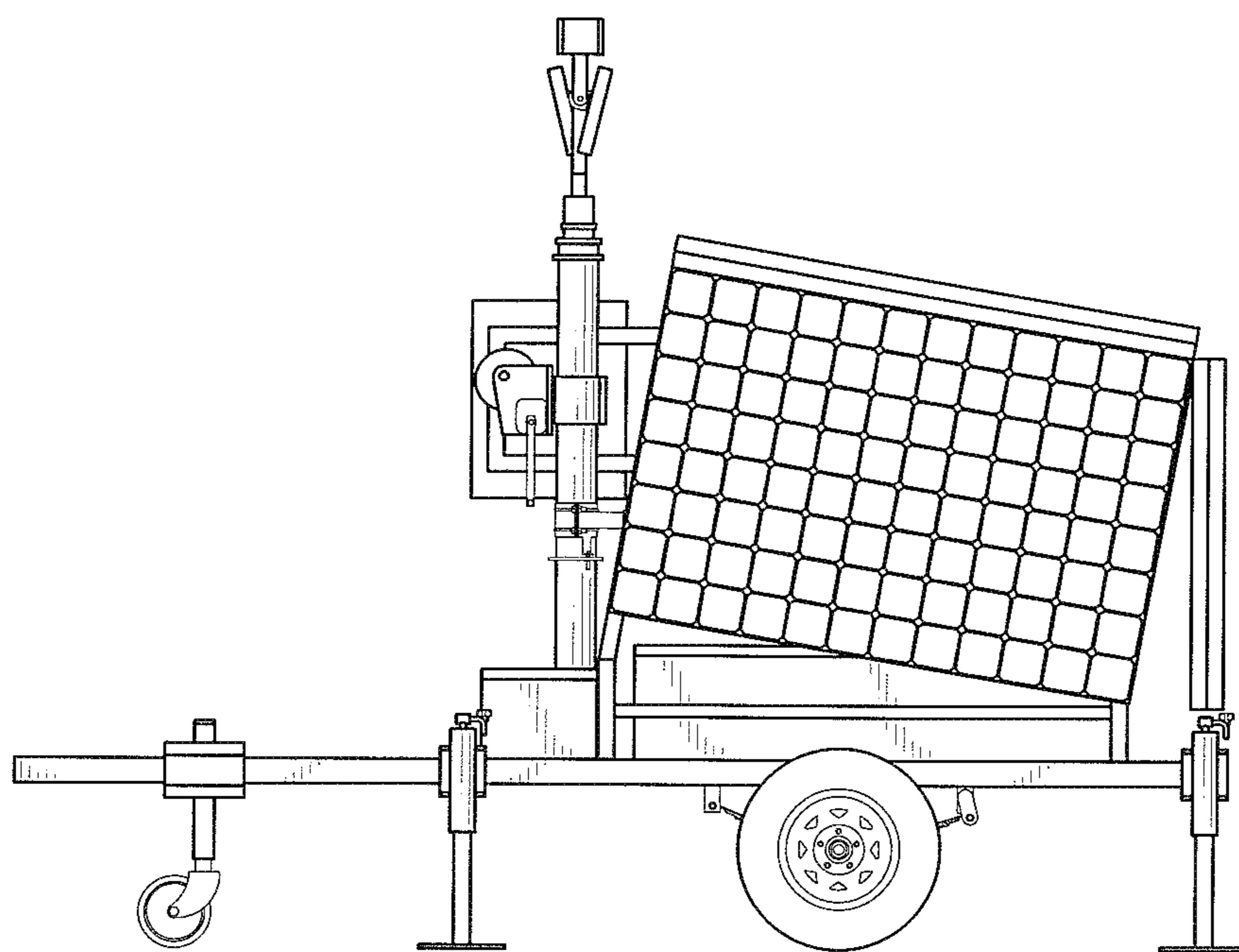


FIG. 3

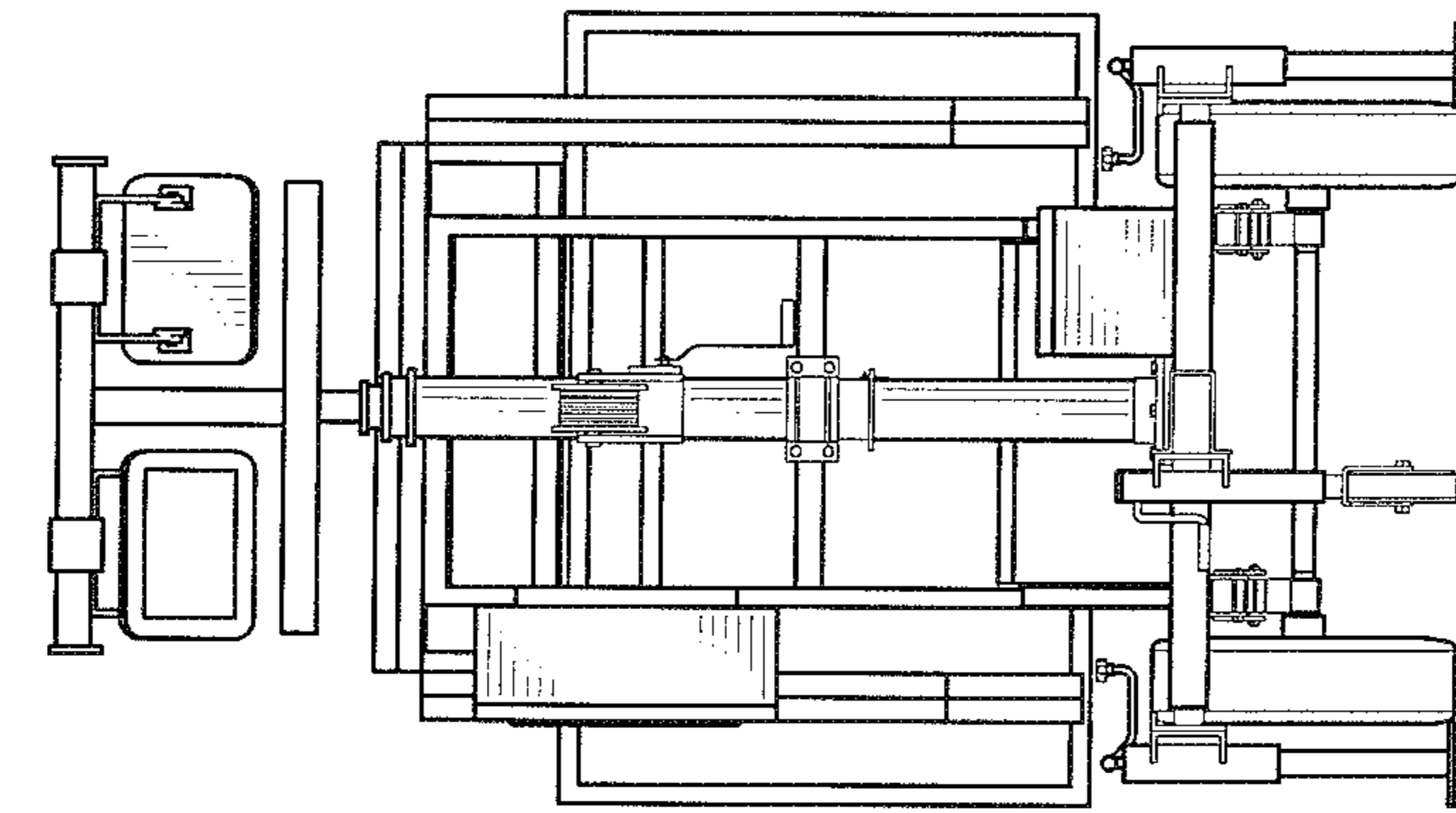


FIG. 5

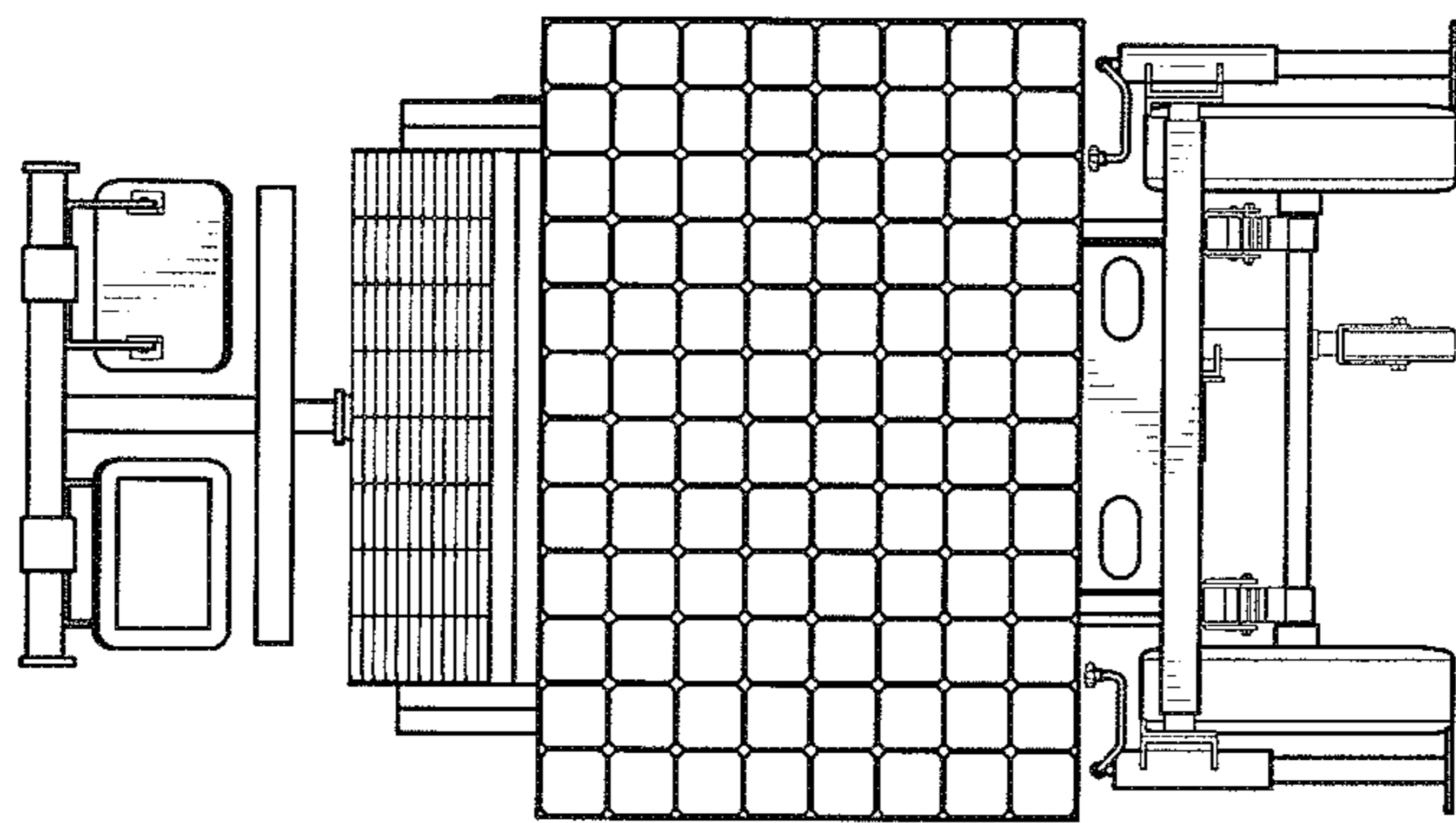


FIG. 4

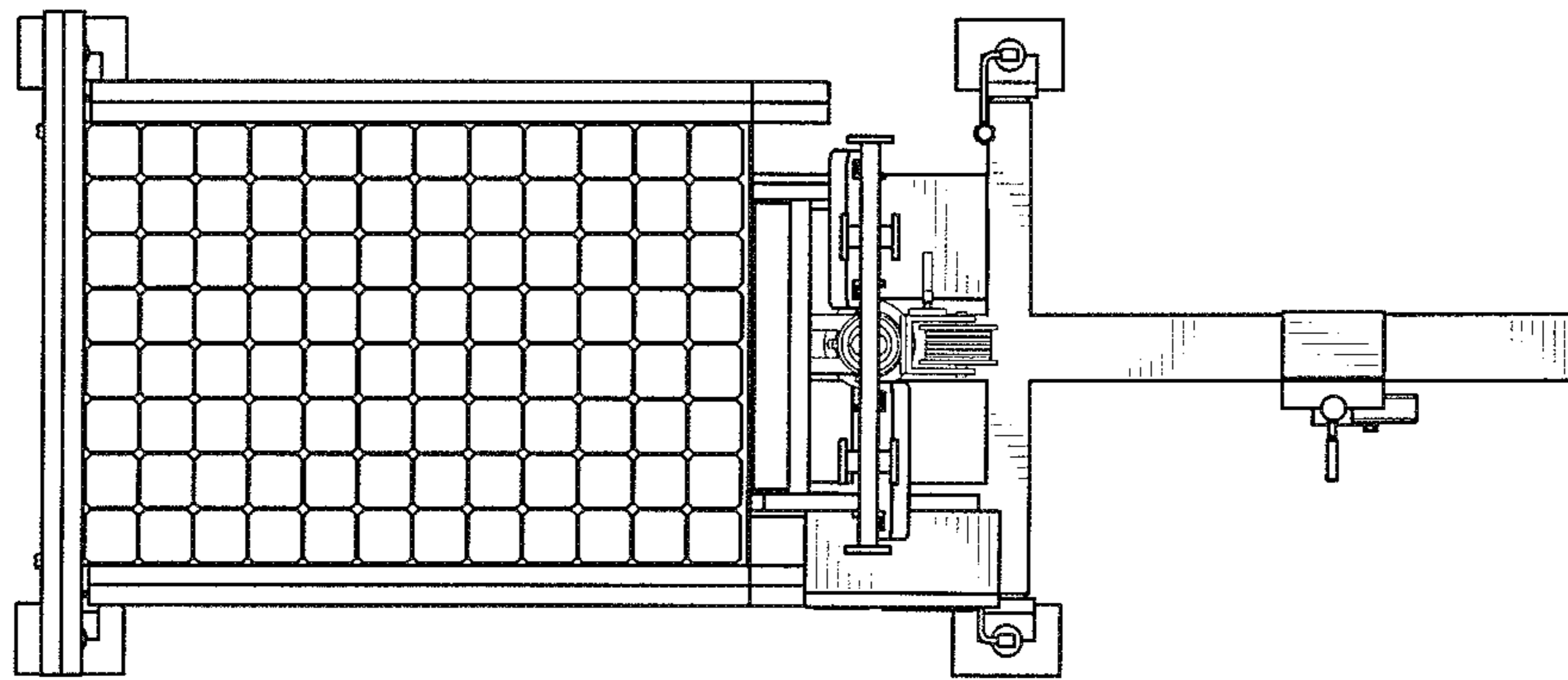


FIG. 6

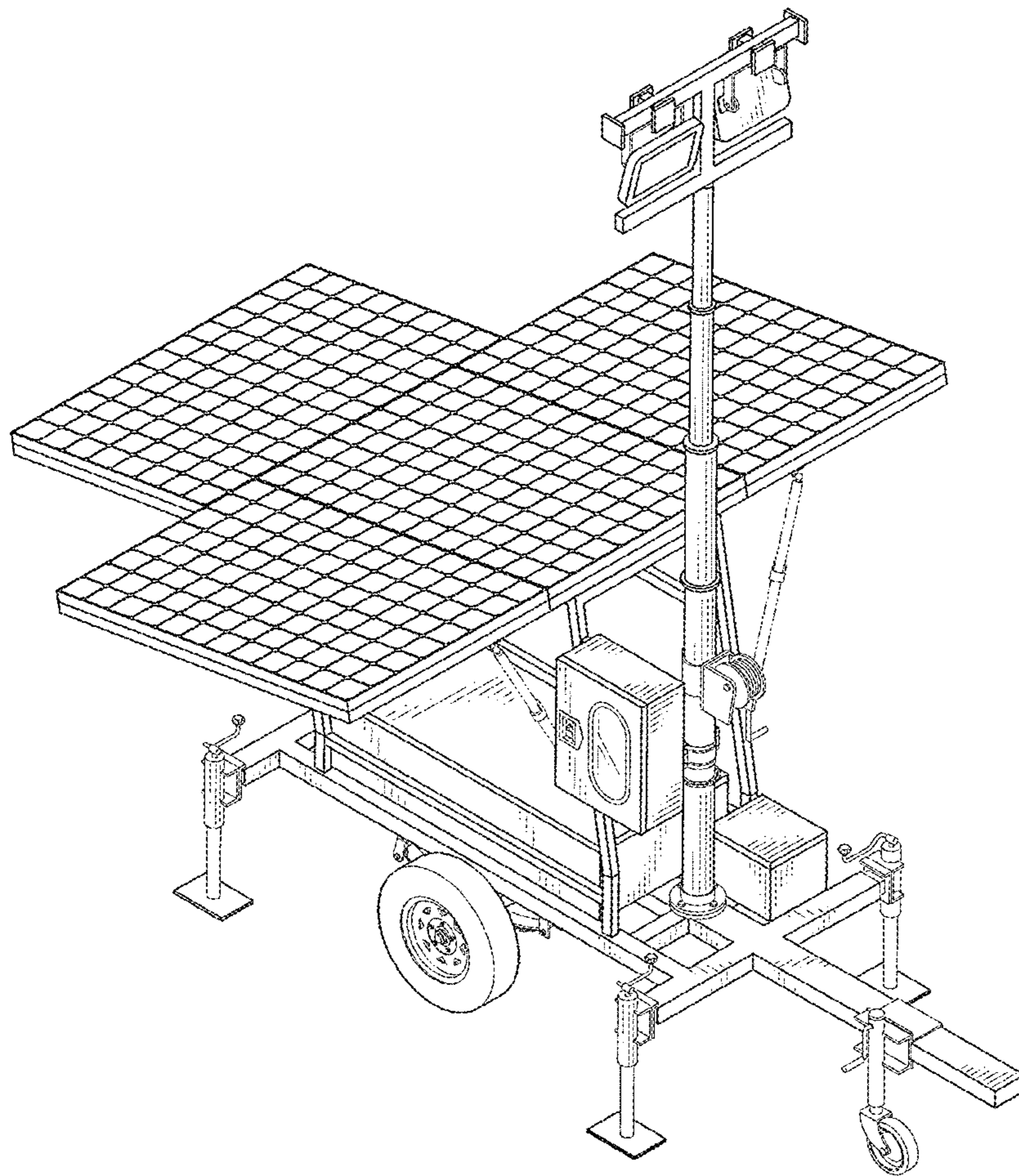


FIG. 7