



US00D796380S

(12) **United States Design Patent** (10) **Patent No.:** **US D796,380 S**  
**Najieb** (45) **Date of Patent:** **\*\* Sep. 5, 2017**

(54) **HYDROPONIC TRAY LINER**  
(71) Applicant: **Arif Najieb**, Bennett, CO (US)  
(72) Inventor: **Arif Najieb**, Bennett, CO (US)  
(\*\*) Term: **15 Years**  
(21) Appl. No.: **29/563,197**  
(22) Filed: **May 3, 2016**  
(51) **LOC (10) Cl.** ..... **11-02**  
(52) **U.S. Cl.**  
USPC ..... **D11/155**  
(58) **Field of Classification Search**  
USPC ..... D11/131, 143, 155, 156, 157; D24/107,  
D24/227; 206/557, 503, 511; 211/126.1,  
211/133.1, 133.6  
CPC ..... A01G 31/06; A01G 9/00; A47G 23/06;  
A47G 7/041; A47G 7/044; A47G 19/30;  
A61B 50/00  
See application file for complete search history.

(56) **References Cited**  
U.S. PATENT DOCUMENTS  
1,688,407 A \* 10/1928 Wastak ..... A01G 31/06  
206/511  
2,906,412 A \* 9/1959 Tanner ..... A47G 23/06  
211/74  
3,760,534 A \* 9/1973 Choux ..... A47G 7/041  
211/85.23  
D229,486 S \* 12/1973 Roper ..... 108/53.1

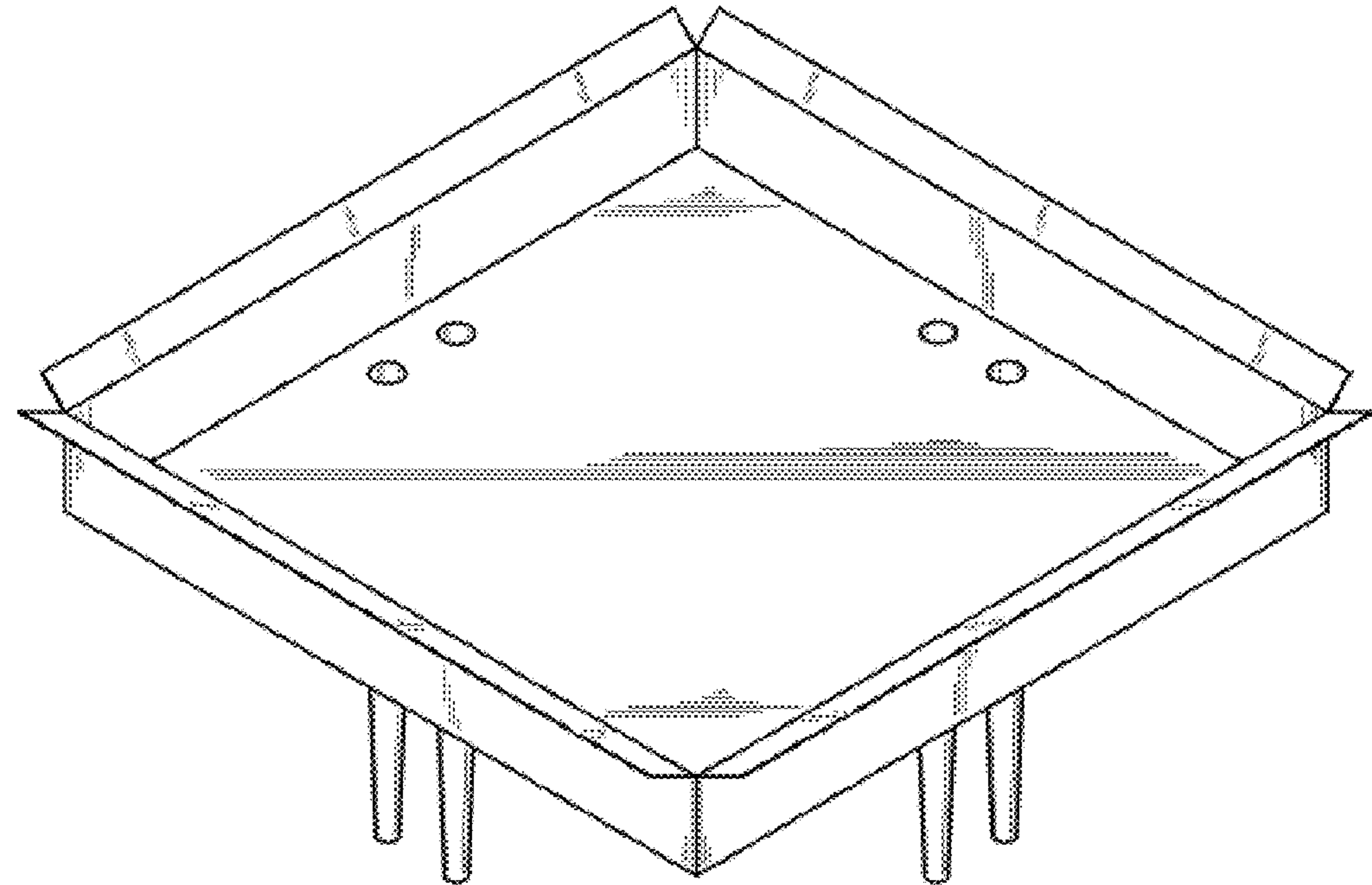
D266,914 S \* 11/1982 Miller ..... D11/155  
5,327,676 A \* 7/1994 Kosky ..... A47G 7/044  
248/312.1  
D428,828 S \* 8/2000 Gutierrez ..... D11/143  
D453,309 S \* 2/2002 Katz ..... D11/155  
D468,773 S \* 1/2003 Bodum ..... D19/86  
8,720,110 B2 5/2014 Hayes et al.  
D745,430 S \* 12/2015 McLennan ..... D11/155  
D774,411 S \* 12/2016 Peterson ..... D11/143  
D776,565 S \* 1/2017 Butler ..... D11/155

\* cited by examiner  
*Primary Examiner* — Susan Bennett Hattan  
*Assistant Examiner* — Rebecca Tsehaye  
(74) *Attorney, Agent, or Firm* — Dorr, Carson & Birney  
PC

(57) **CLAIM**  
The ornamental design for a hydroponic tray liner, as shown  
and described.

**DESCRIPTION**  
FIG. 1 is a top perspective view of a hydroponic tray liner  
showing my new design.  
FIG. 2 is a front elevational view thereof, with the rear  
elevational view being the same as FIG. 2. The stippling in  
the figures indicates adhesive.  
FIG. 3 is a left side elevational view thereof, with the right  
side elevational view being the same as FIG. 3.  
FIG. 4 is a top plan view thereof; and,  
FIG. 5 is a bottom plan view thereof.

**1 Claim, 3 Drawing Sheets**



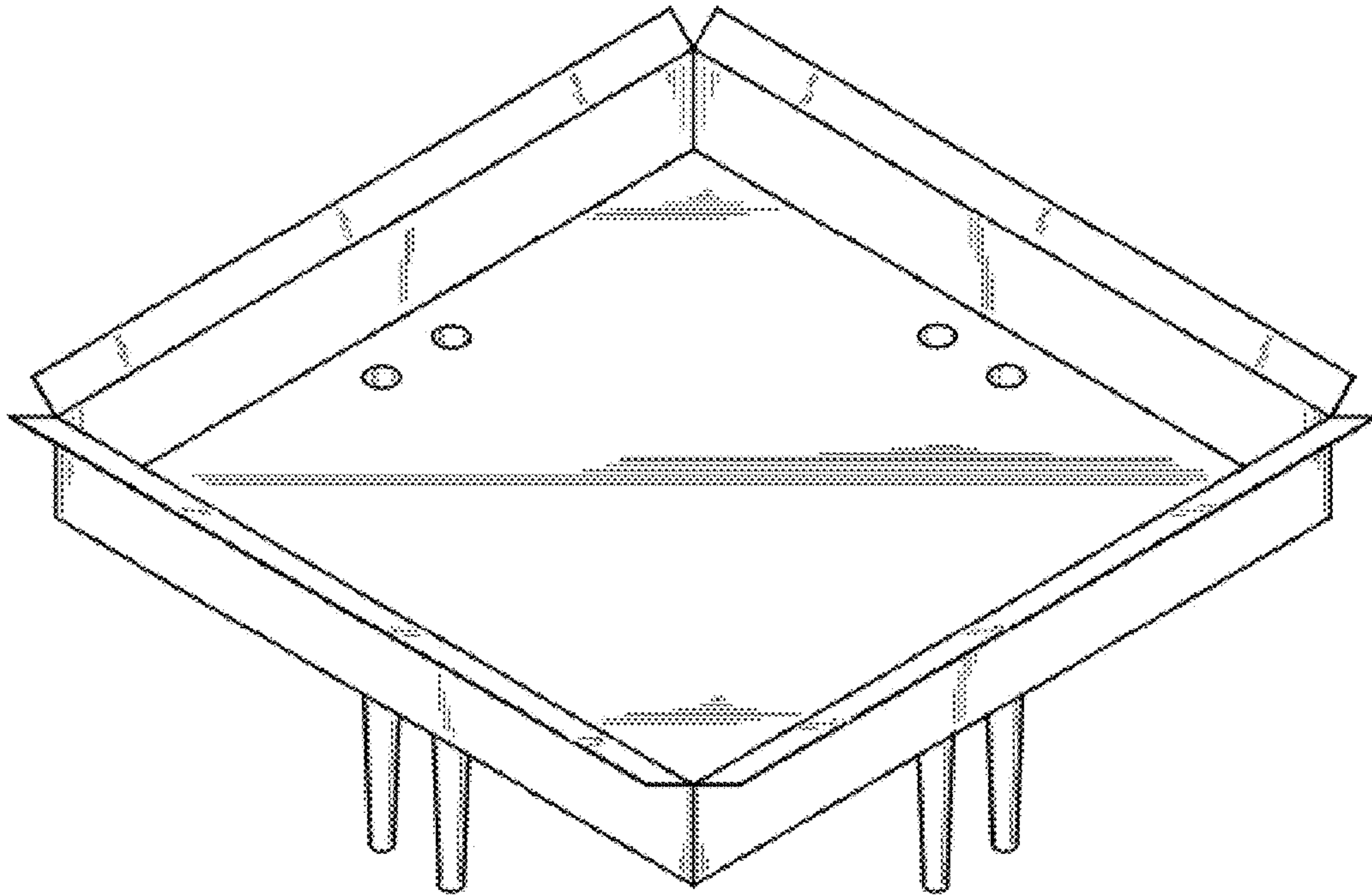


FIG. 1

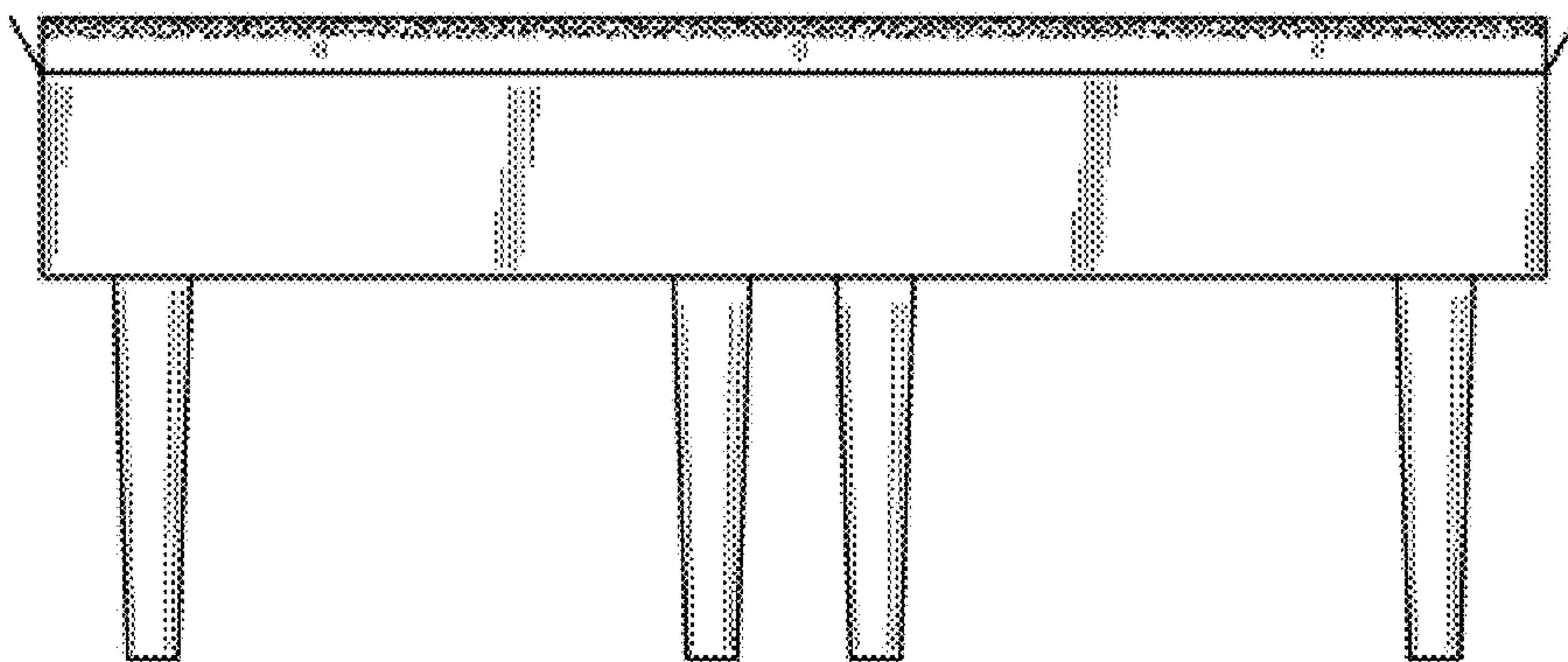


FIG. 2

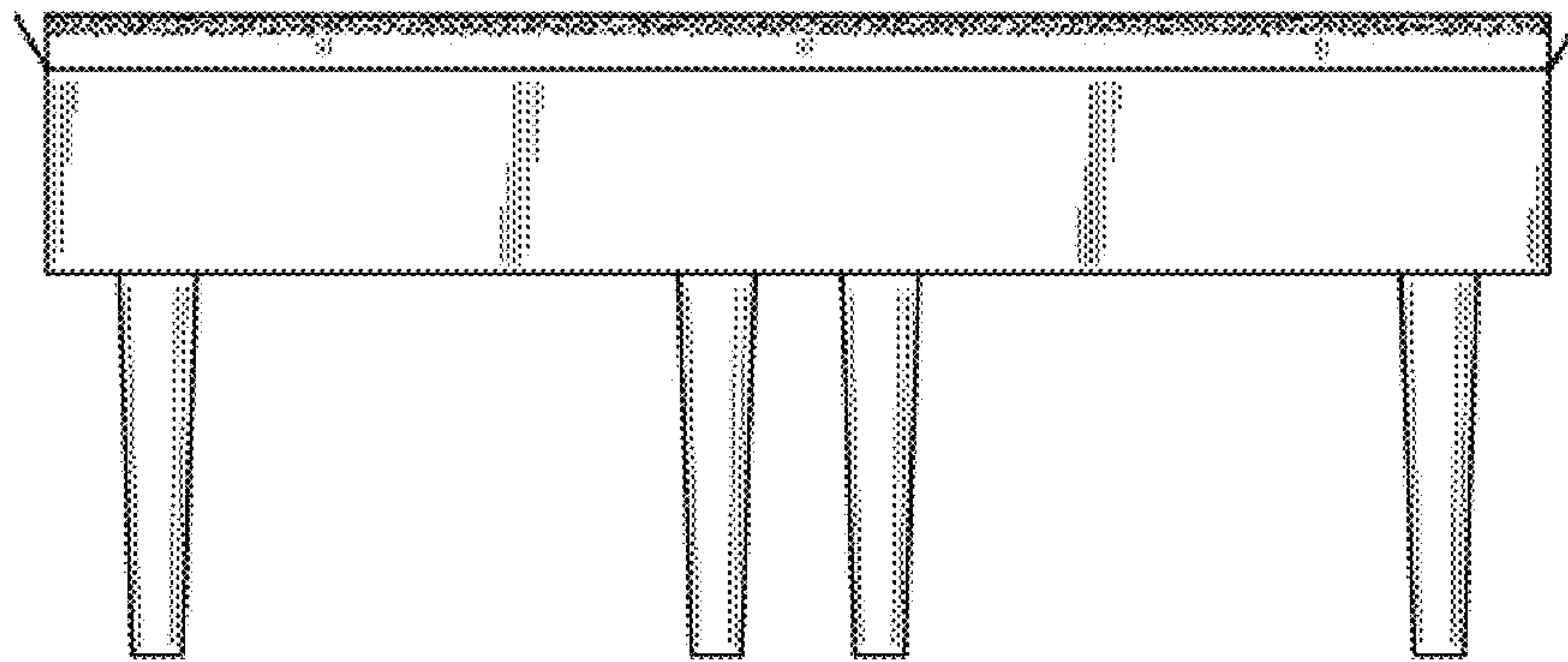


FIG. 3

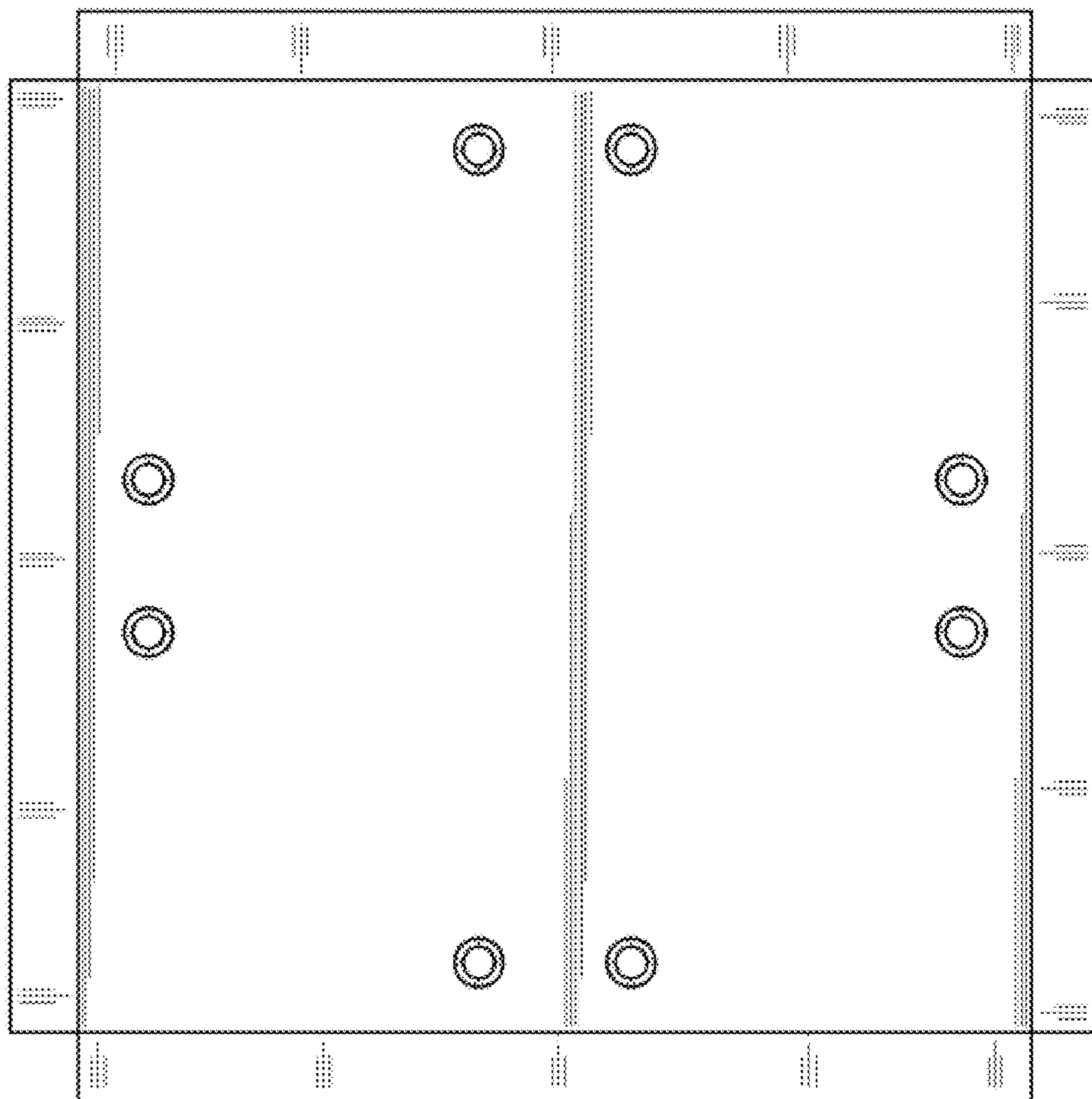


FIG. 4



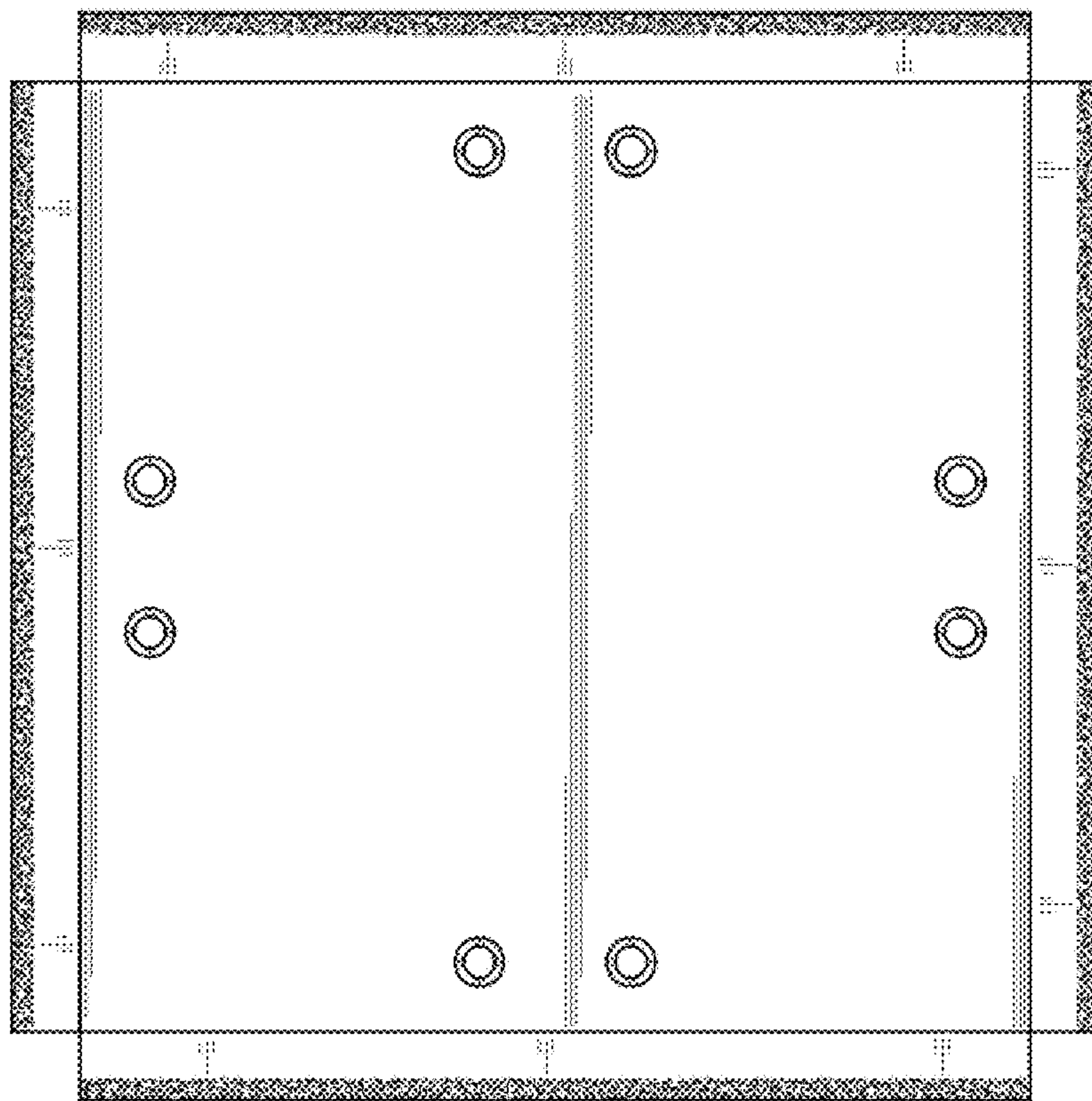


FIG. 5