



US00D796379S

(12) **United States Design Patent**
Takaoka

(10) **Patent No.:** **US D796,379 S**
(45) **Date of Patent:** **** Sep. 5, 2017**

(54) **PLANTER**

(71) Applicant: **TAKASHO CO., LTD.**, Wakayama-ken (JP)

(72) Inventor: **Nobuo Takaoka**, Wakayama-ken (JP)

(73) Assignee: **TAKASHO CO., LTD.**, Wakayama-Shi (JP)

(**) Term: **15 Years**

(21) Appl. No.: **29/554,941**

(22) Filed: **Feb. 17, 2016**

(30) **Foreign Application Priority Data**

Aug. 27, 2015 (JP) 2015-018831

(51) **LOC (10) Cl.** **11-02**

(52) **U.S. Cl.**
USPC **D11/152**

(58) **Field of Classification Search**
USPC D6/403-405, 556-558, 675, 683, 708.16, D6/708.2; D9/428, 545, 643; D11/143-156, 164; D7/701
CPC . A01G 9/00; A01G 9/02; A01G 9/028; A01G 9/04; A01G 9/042; A01G 9/045; A01G 9/10; A01G 27/005; A01G 27/006; A01G 27/02; A01G 31/00; A01G 31/001; A01G 31/02; A01G 7/045

See application file for complete search history.

(56) **References Cited**

U.S. PATENT DOCUMENTS

- 1,892,818 A * 1/1933 Trew B65B 25/04 53/145
- 3,975,860 A * 8/1976 Harned A01G 9/02 47/81
- D250,401 S * 11/1978 O'Shea 47/80

- D271,035 S * 10/1983 Pomerenke D11/152
- D313,203 S * 12/1990 Carlson 47/79
- 5,094,032 A * 3/1992 Byland A01G 9/021 47/71
- 5,638,638 A * 6/1997 Moskowitz A01G 9/04 47/71
- 6,038,814 A * 3/2000 Miotto A01G 27/06 47/79
- D456,307 S * 4/2002 Fan D11/152
- D460,020 S * 7/2002 Fan D11/152
- D460,021 S * 7/2002 Fan D11/152
- D460,717 S * 7/2002 Fan D11/152
- D468,662 S * 1/2003 Fan D11/152
- 6,584,730 B1 * 7/2003 Mai A01G 27/02 47/48.5
- D485,208 S * 1/2004 Fan D11/143
- D485,510 S * 1/2004 Fan D11/152
- D490,745 S * 6/2004 Fan D11/143
- 6,783,023 B1 * 8/2004 Fan A01G 9/02 206/423
- D498,432 S * 11/2004 Fan D11/152
- 6,955,008 B2 * 10/2005 Rose A01G 9/02 47/80

(Continued)

Primary Examiner — Elizabeth Albert

(74) *Attorney, Agent, or Firm* — Wenderoth, Lind & Ponack, L.L.P.

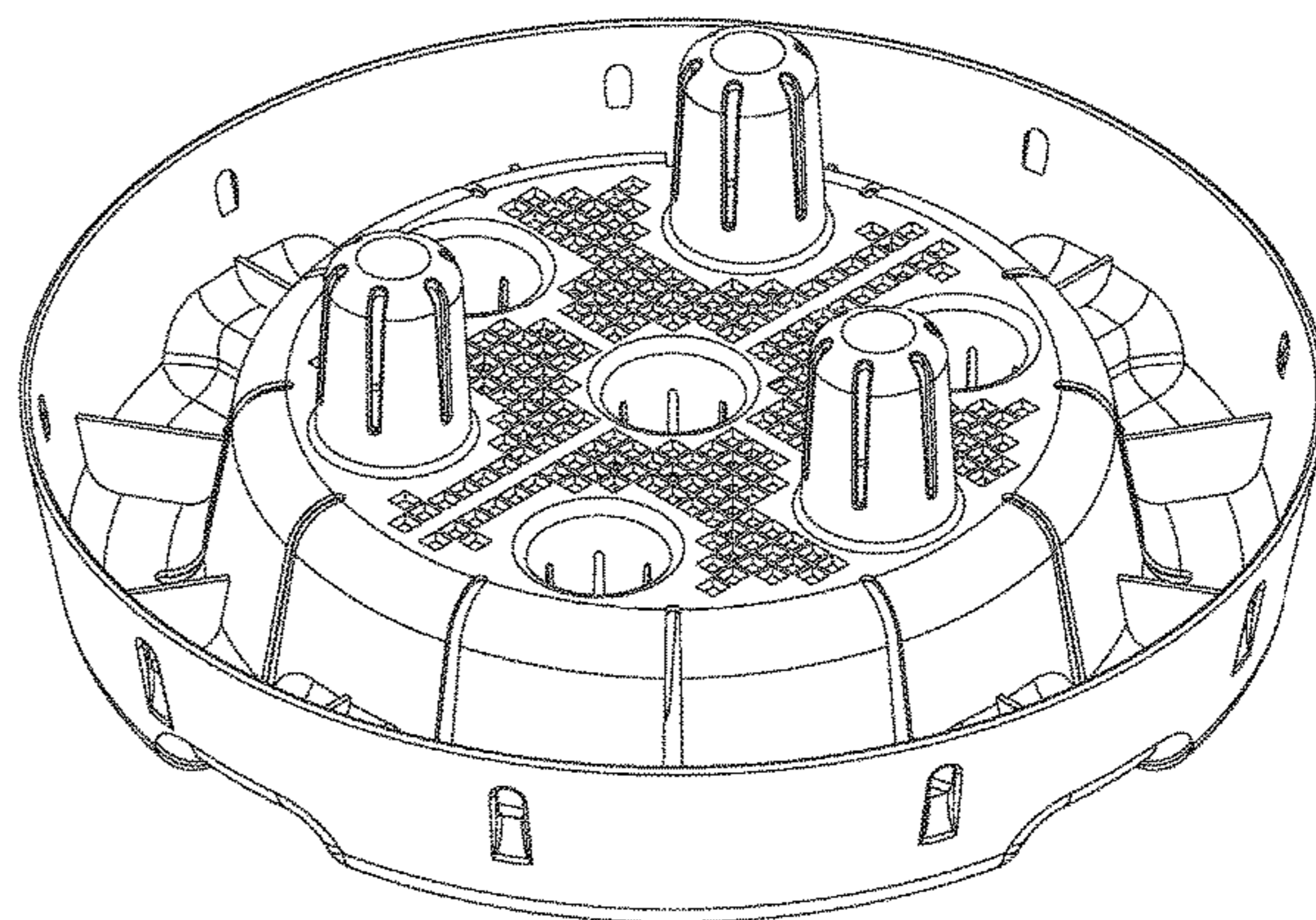
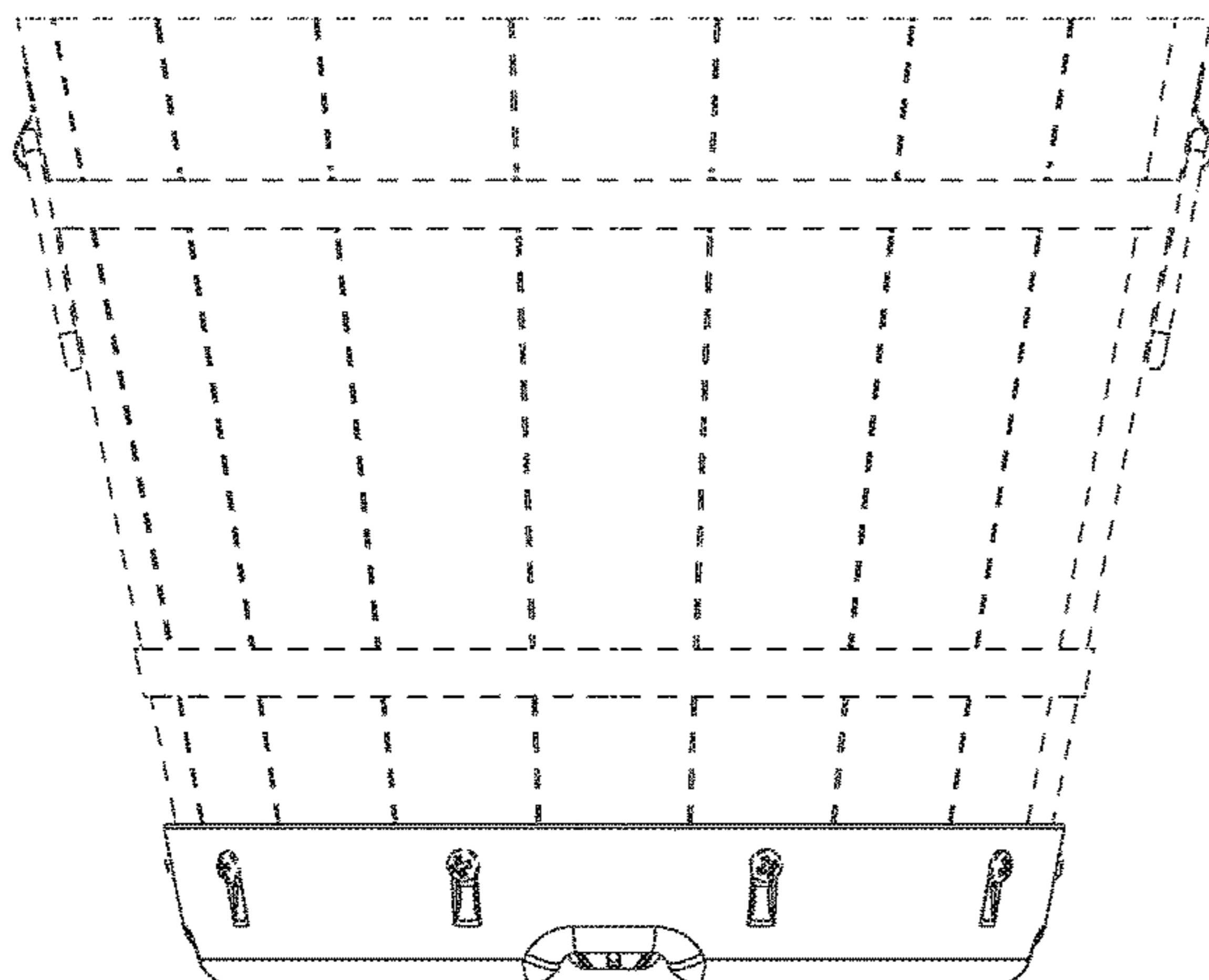
(57) **CLAIM**

I claim the ornamental design for a planter, as shown and described.

DESCRIPTION

FIG. 1 is a front view of a planter;
FIG. 2 is a rear view of a planter;
FIG. 3 is a right-side view of a planter;
FIG. 4 is a left-side view of a planter;
FIG. 5 is a top plan view of a planter;
FIG. 6 is a bottom view of a planter; and,
FIG. 7 is a top perspective view of a planter.

1 Claim, 4 Drawing Sheets



(56)

References Cited

U.S. PATENT DOCUMENTS

7,958,670 B2 * 6/2011 Kamau A01G 9/02
47/66.1
8,065,834 B2 * 11/2011 Eckert A01G 9/028
47/66.1
8,146,292 B2 * 4/2012 Brandstatter A01G 27/02
47/79
8,336,254 B2 * 12/2012 Baumann A01G 27/04
47/32.7
D675,492 S * 2/2013 Art D32/54
D741,743 S * 10/2015 Steier D11/164
9,439,370 B2 * 9/2016 Donnelly A01G 27/06
2010/0077661 A1 * 4/2010 Brandstatter A01G 27/02
47/80
2017/0055459 A1 * 3/2017 Takaoka A01G 9/02

* cited by examiner

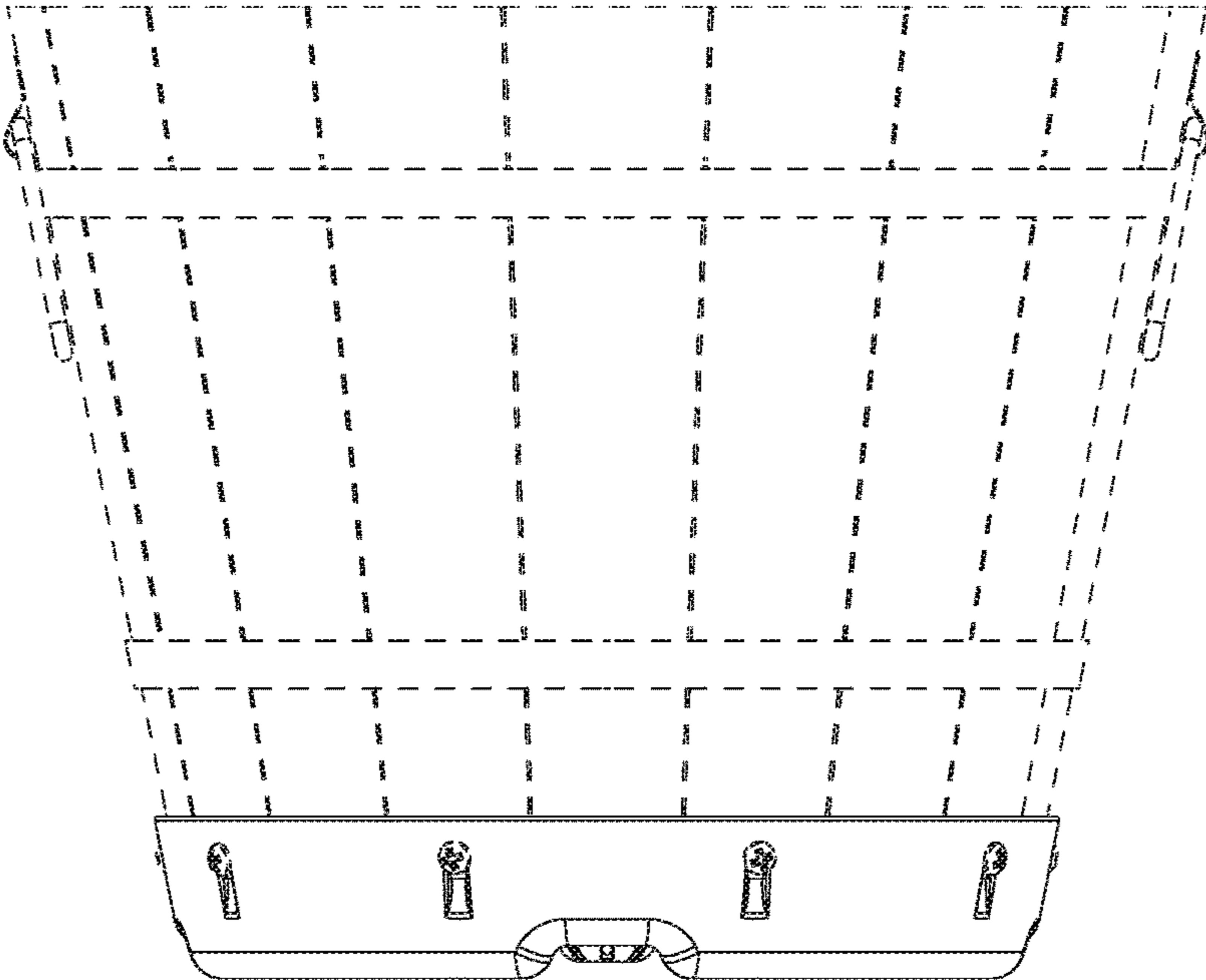


FIG. 1

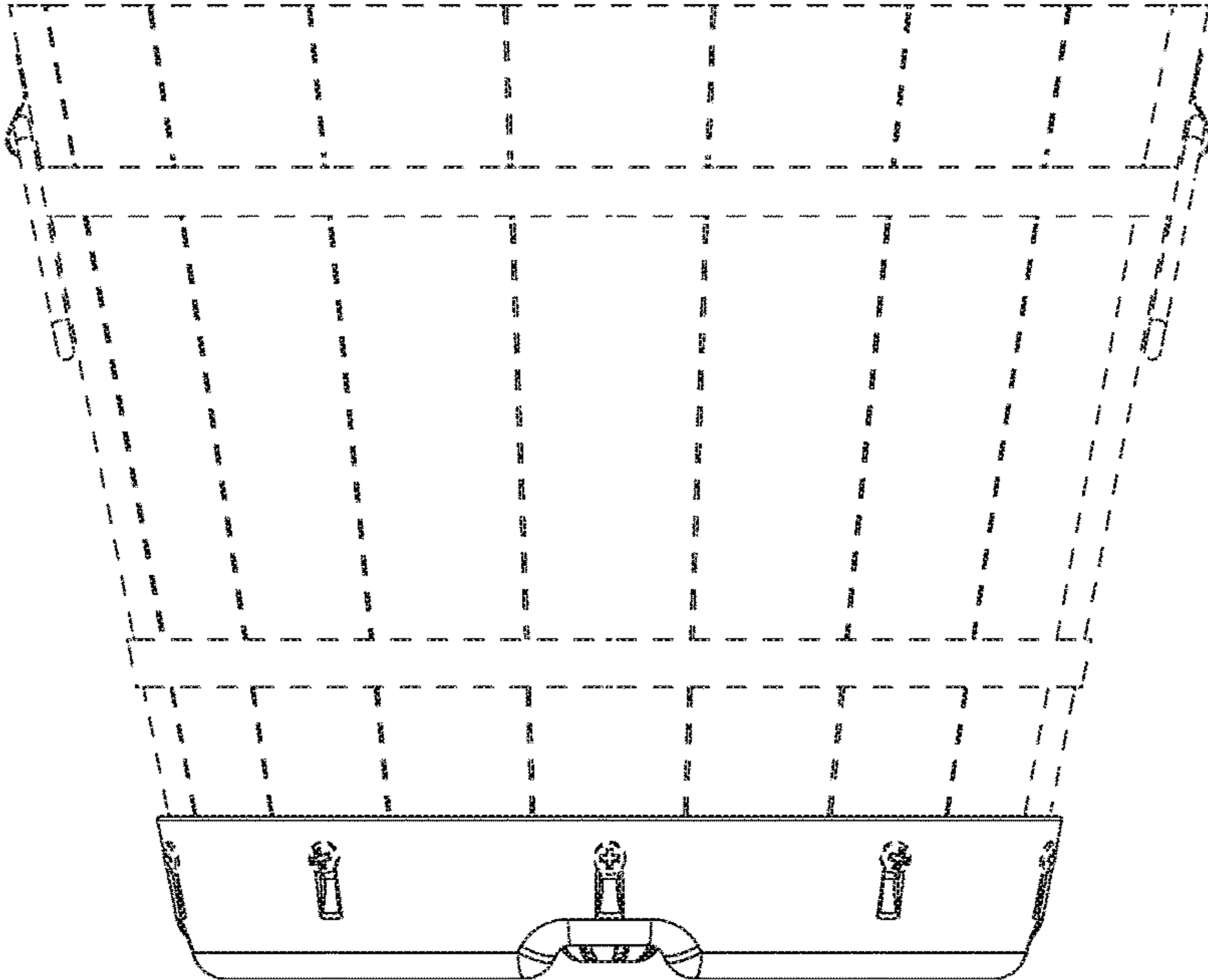


FIG. 2

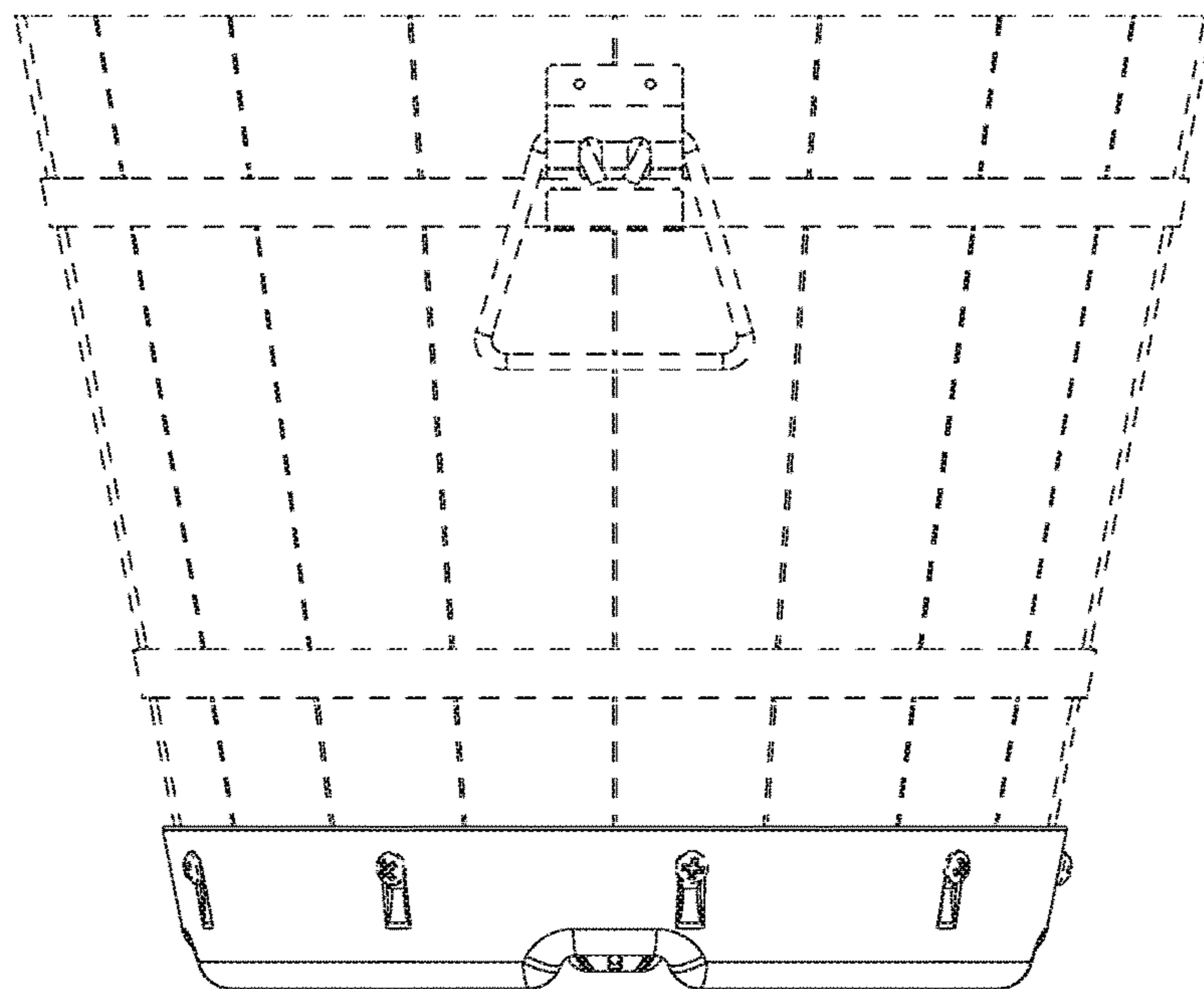


FIG. 3

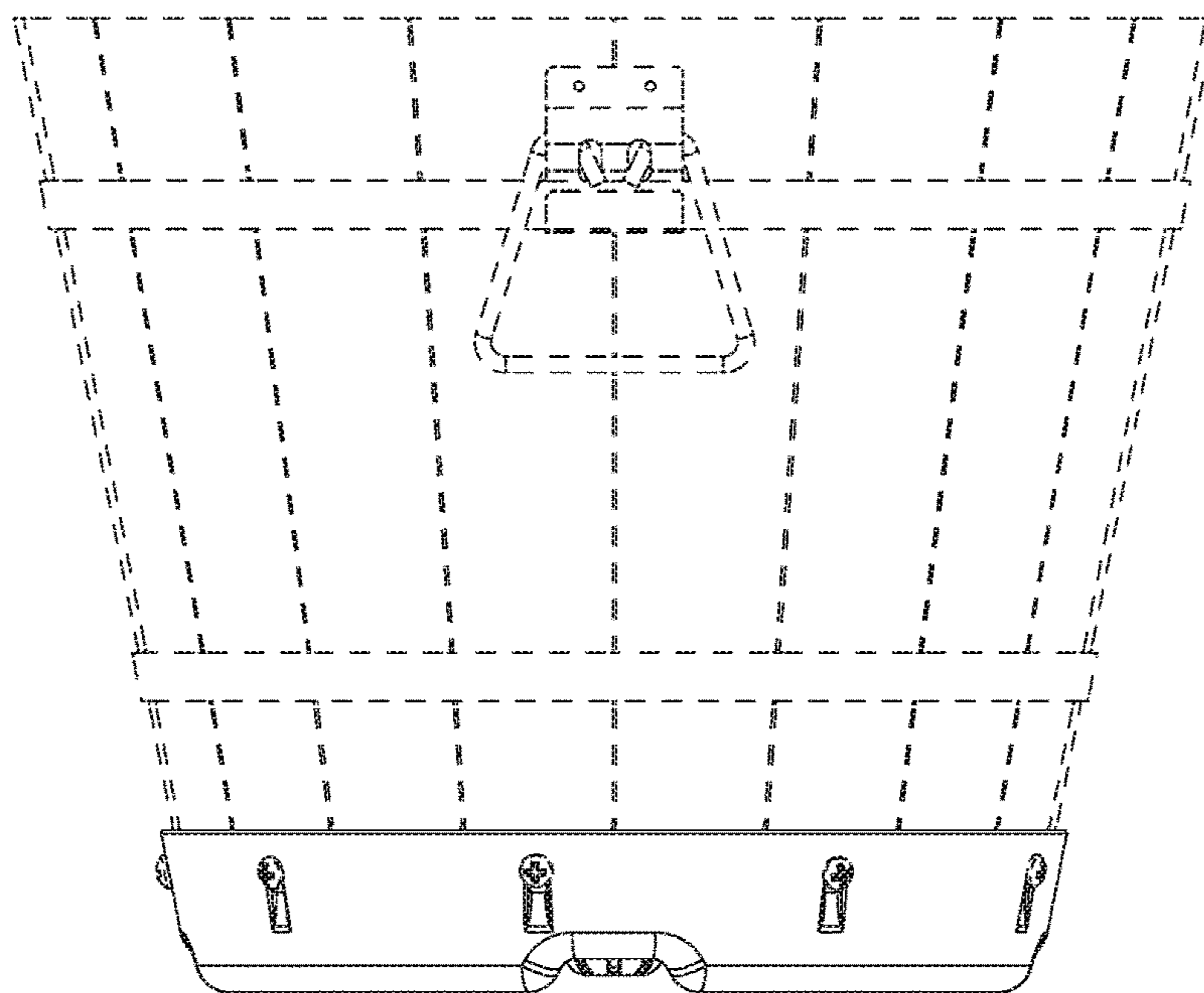


FIG. 4

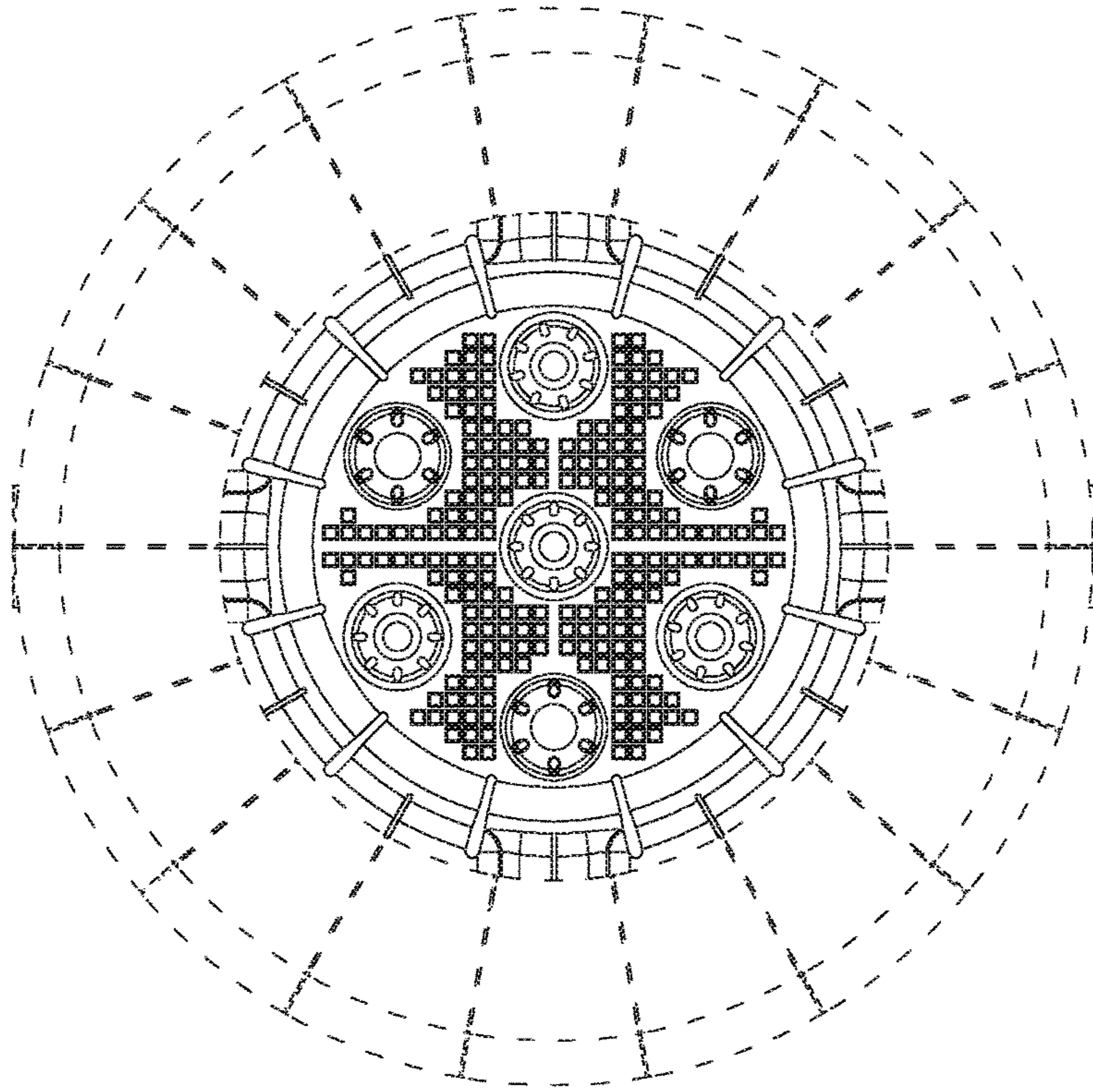


FIG. 5

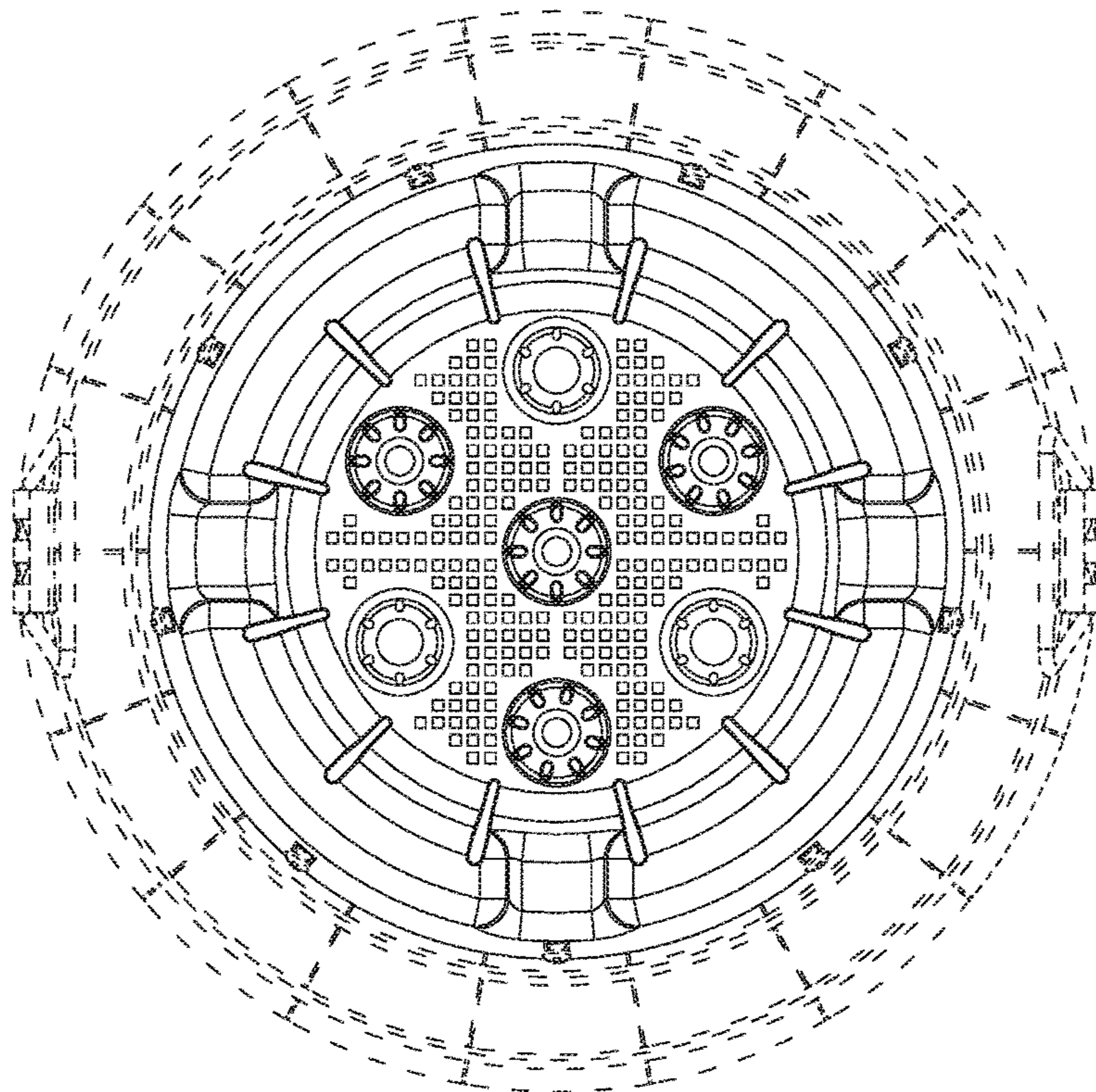


FIG. 6

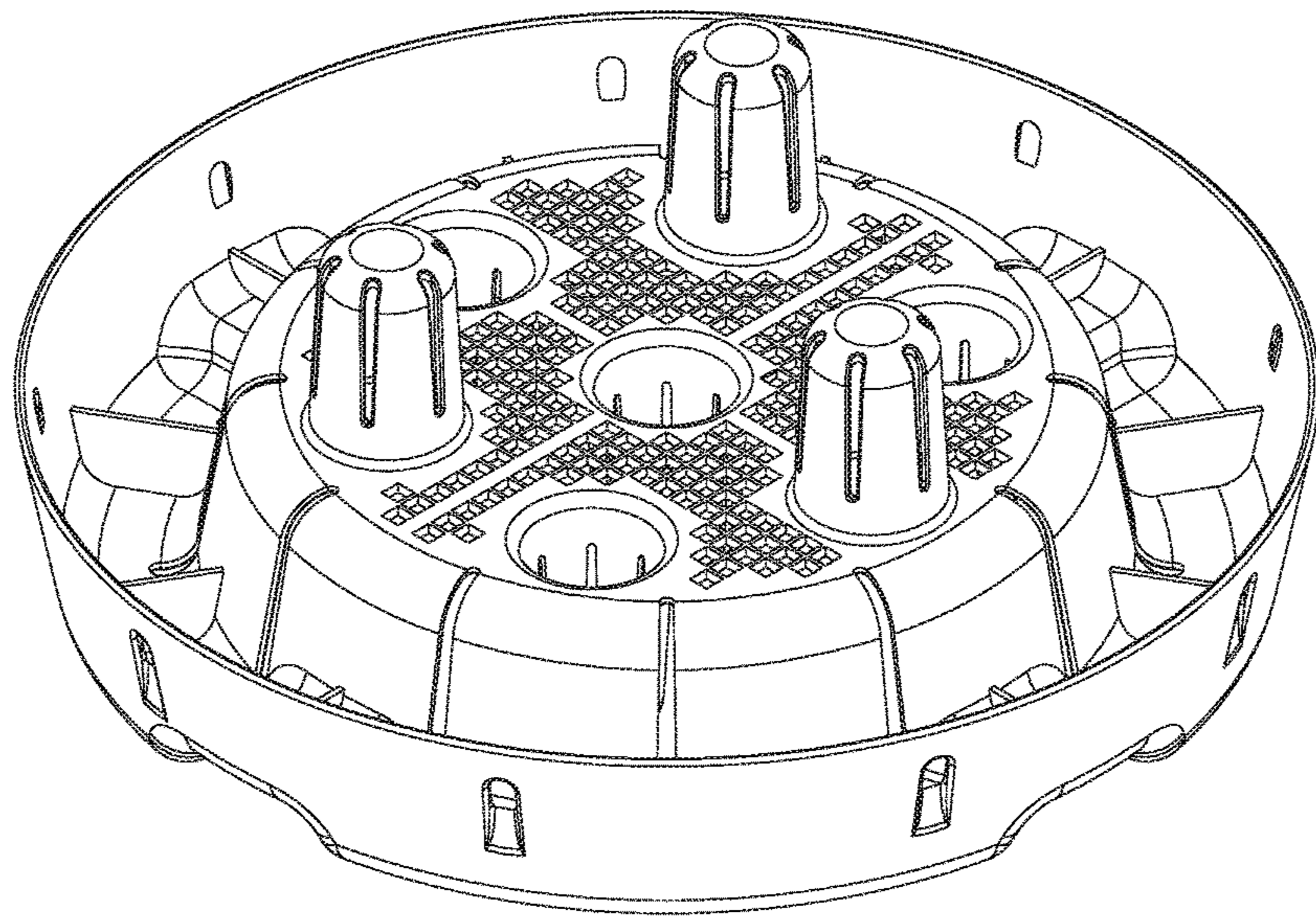


FIG. 7