

US00D796374S

(12) **United States Design Patent** (10) **Patent No.:** **US D796,374 S**  
**Cook** (45) **Date of Patent:** **\*\* Sep. 5, 2017**

(54) **JEWELRY OBJECT**

(71) Applicant: **Nature's Geometry Inc.**, Tucson, AZ (US)

(72) Inventor: **Brian Charles Cook**, Tucson, AZ (US)

(73) Assignee: **Nature's Geometry Inc.**, Tucson, AZ (US)

(\*\*) Term: **15 Years**

(21) Appl. No.: **29/560,057**

(22) Filed: **Apr. 1, 2016**

(51) **LOC (10) Cl.** ..... **11-01**

(52) **U.S. Cl.**  
USPC ..... **D11/89**

(58) **Field of Classification Search**  
USPC ..... D11/1-2, 26-29, 89-92, 79, 80, 86;  
63/26-28, 32  
CPC ..... A44C 17/00  
See application file for complete search history.

(56) **References Cited**

U.S. PATENT DOCUMENTS

D61,134 S *	6/1922	Gianera	.....	D11/89
1,730,257 A *	10/1929	Welch	.....	A44C 17/007 428/28
1,850,190 A *	3/1932	Welch	.....	A44C 17/007 63/31
1,912,602 A *	6/1933	Stonberg	.....	A44C 17/00 428/28
3,835,665 A	9/1974	Kitchel		156/145
4,142,383 A *	3/1979	Eberhart	.....	A44C 15/00 428/28
4,208,888 A *	6/1980	Erdman	.....	A44C 25/00 428/28
D255,669 S *	7/1980	Trupiano	.....	D11/75
D258,874 S *	4/1981	Hocq	.....	D11/79
D264,692 S *	6/1982	Sandblom	.....	D11/89
D267,569 S *	1/1983	Polite	.....	D11/90

D268,398 S *	3/1983	Gennari	.....	D11/89
D280,189 S *	8/1985	Moses	.....	D11/79
D280,713 S *	9/1985	Moses	.....	D11/79
D308,951 S *	7/1990	Rinck	.....	D11/79
D516,454 S *	3/2006	Gimpel	.....	D11/79
D583,700 S *	12/2008	Greer	.....	D11/80

(Continued)

FOREIGN PATENT DOCUMENTS

DE	19621479	A1	12/1997
DE	202006010943	U1	11/2006

OTHER PUBLICATIONS

Pay, Duncan. Innovative Optical Effects, Unique Rings with Raw Crystals—Tucson 2014, Gem News International, Gems & Geology, Spring 2014, vol. 50, No. 1.

(Continued)

*Primary Examiner* — Ralf Seifert  
(74) *Attorney, Agent, or Firm* — Kaplan IP Law, P.C.; Jonathan M. Kaplan

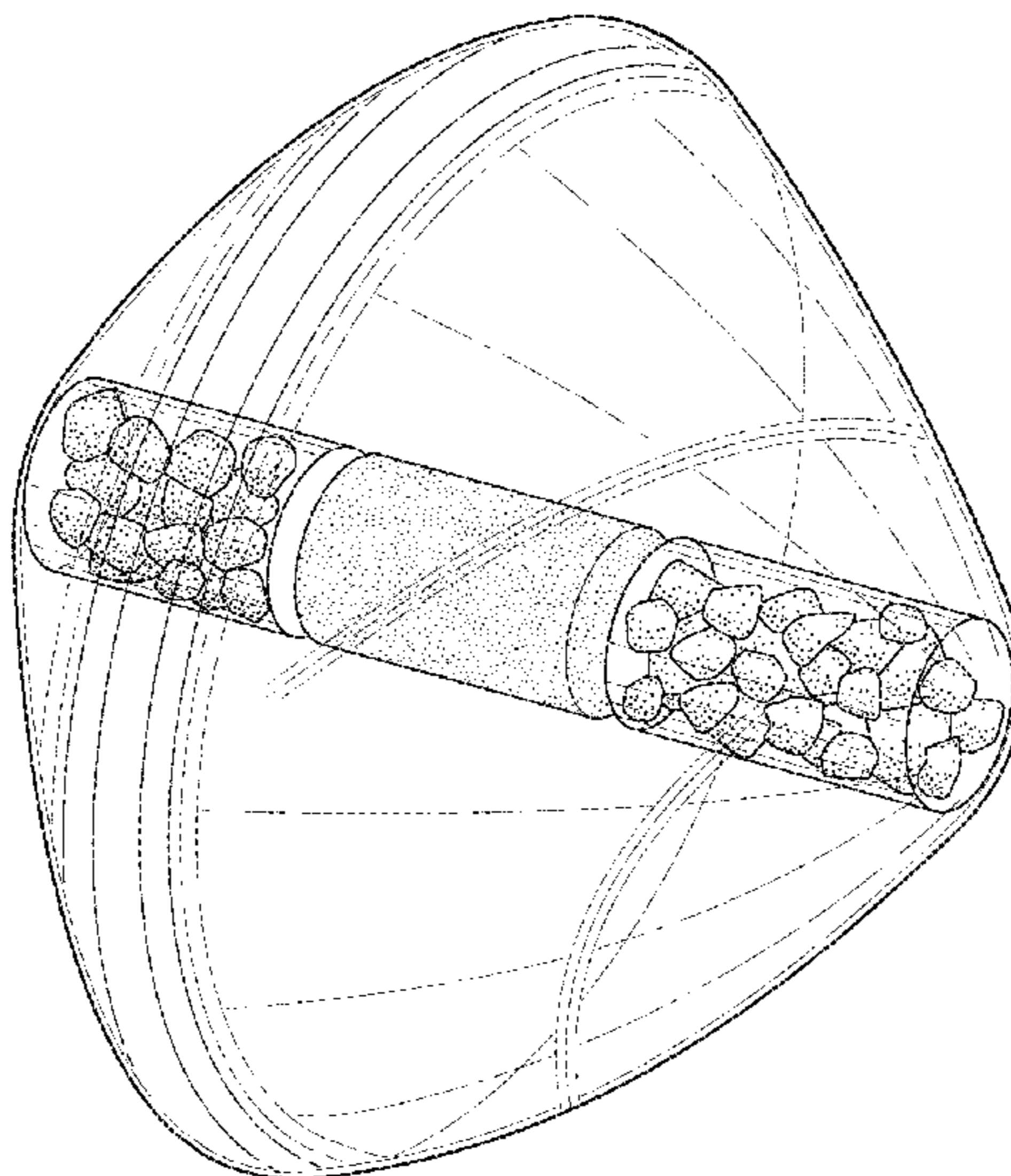
(57) **CLAIM**

The ornamental design for a jewelry object, as shown and described.

**DESCRIPTION**

FIG. 1 is a front and right perspective view of the jewelry object showing a new design.  
FIG. 2 is a front view of the jewelry object;  
FIG. 3 is a rear view of the jewelry object;  
FIG. 4 is a right side view of the jewelry object;  
FIG. 5 is a left side view of the jewelry object;  
FIG. 6 is a top view of the jewelry object; and,  
FIG. 7 is a bottom view of the jewelry object.  
The broken lines shown in the drawings illustrate environmental matter, and form no part of the claimed design.

**1 Claim, 4 Drawing Sheets**



(56)

**References Cited**

U.S. PATENT DOCUMENTS

D734,199 S \* 7/2015 Garcia ..... D11/89  
D764,963 S \* 8/2016 Loinger ..... D11/90

OTHER PUBLICATIONS

Roberts, "How to make glass disappear in a liquid—index of refraction," [online] <URL: [https://web.archive.org/web/20150128155132/http://gr5.org:80/index\\_of\\_refraction/](https://web.archive.org/web/20150128155132/http://gr5.org:80/index_of_refraction/)>, Jan. 28, 2015.

PCT Search Report and Written Opinion dated Jun. 12, 2017, from PCT App. No. PCT/US2017/023484, filed on Mar. 21, 2017.

\* cited by examiner

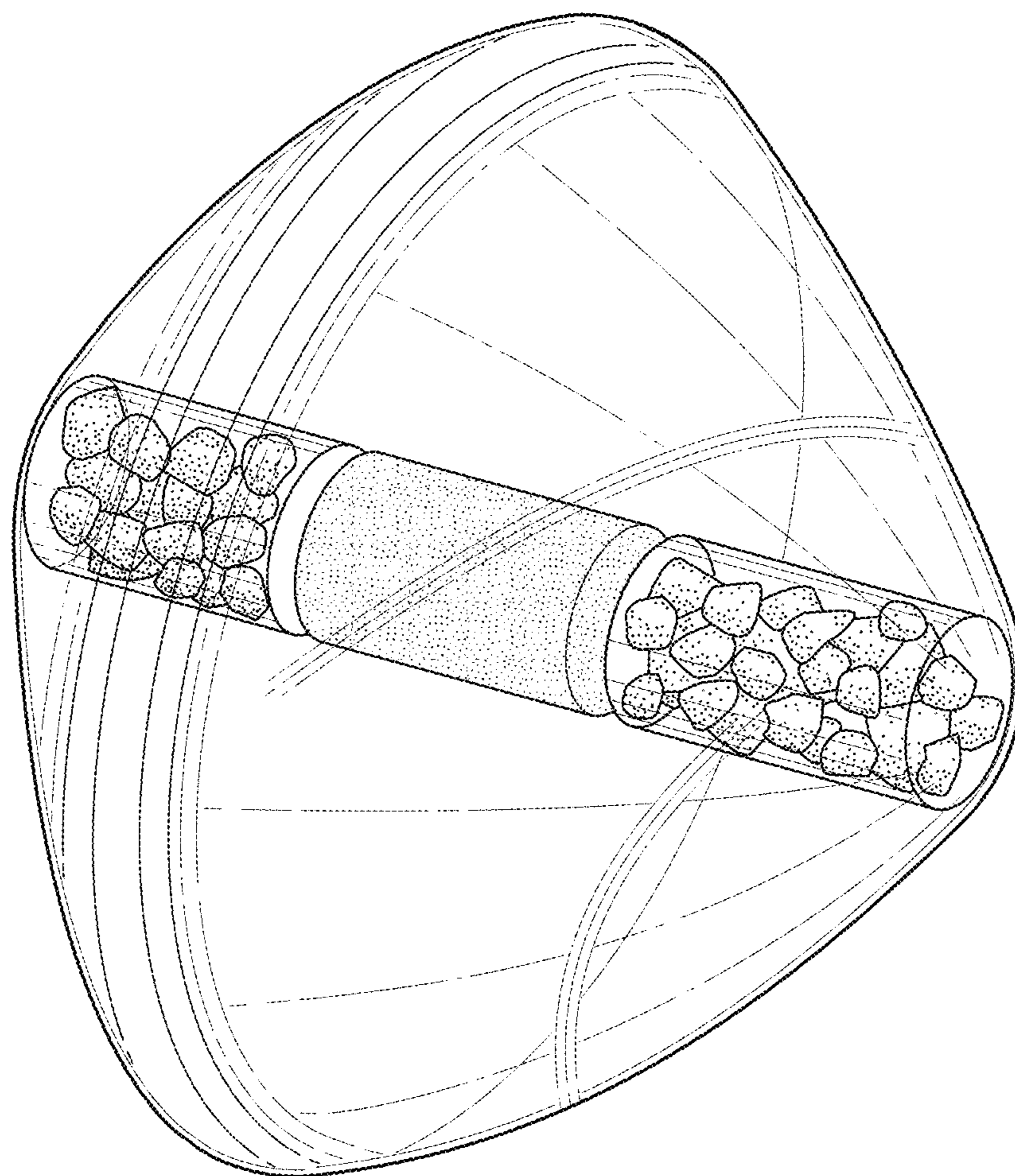


FIG. 1

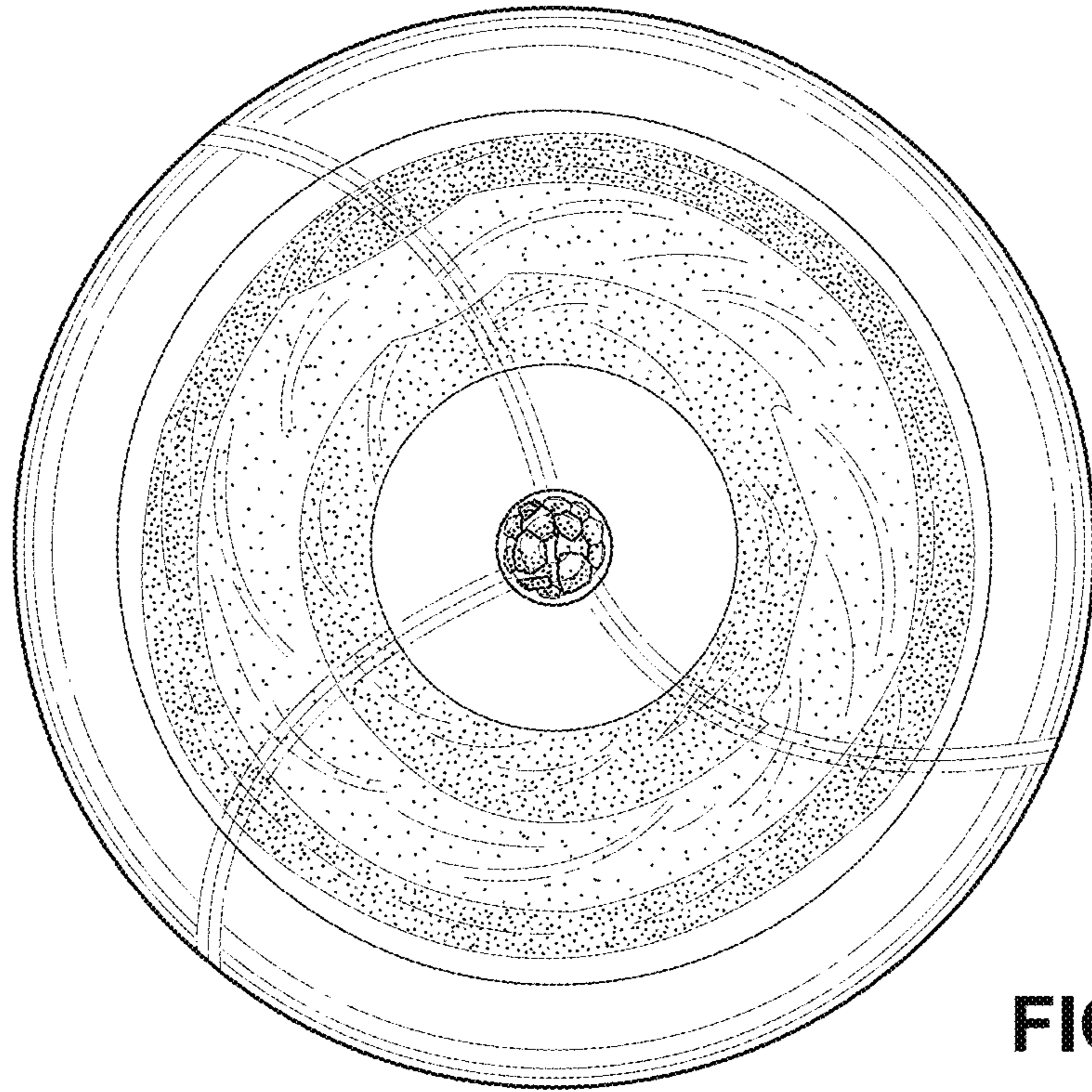


FIG. 2

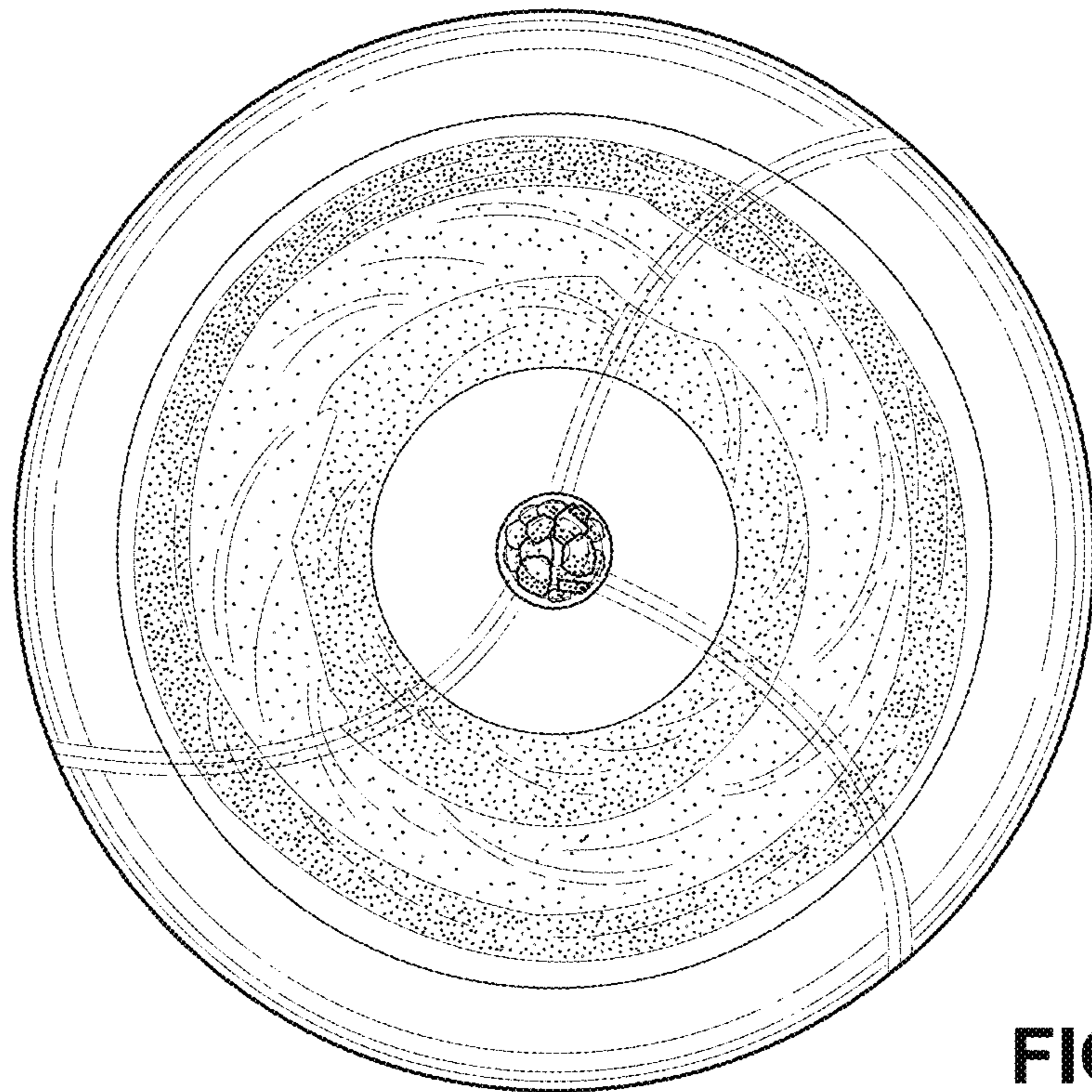


FIG. 3

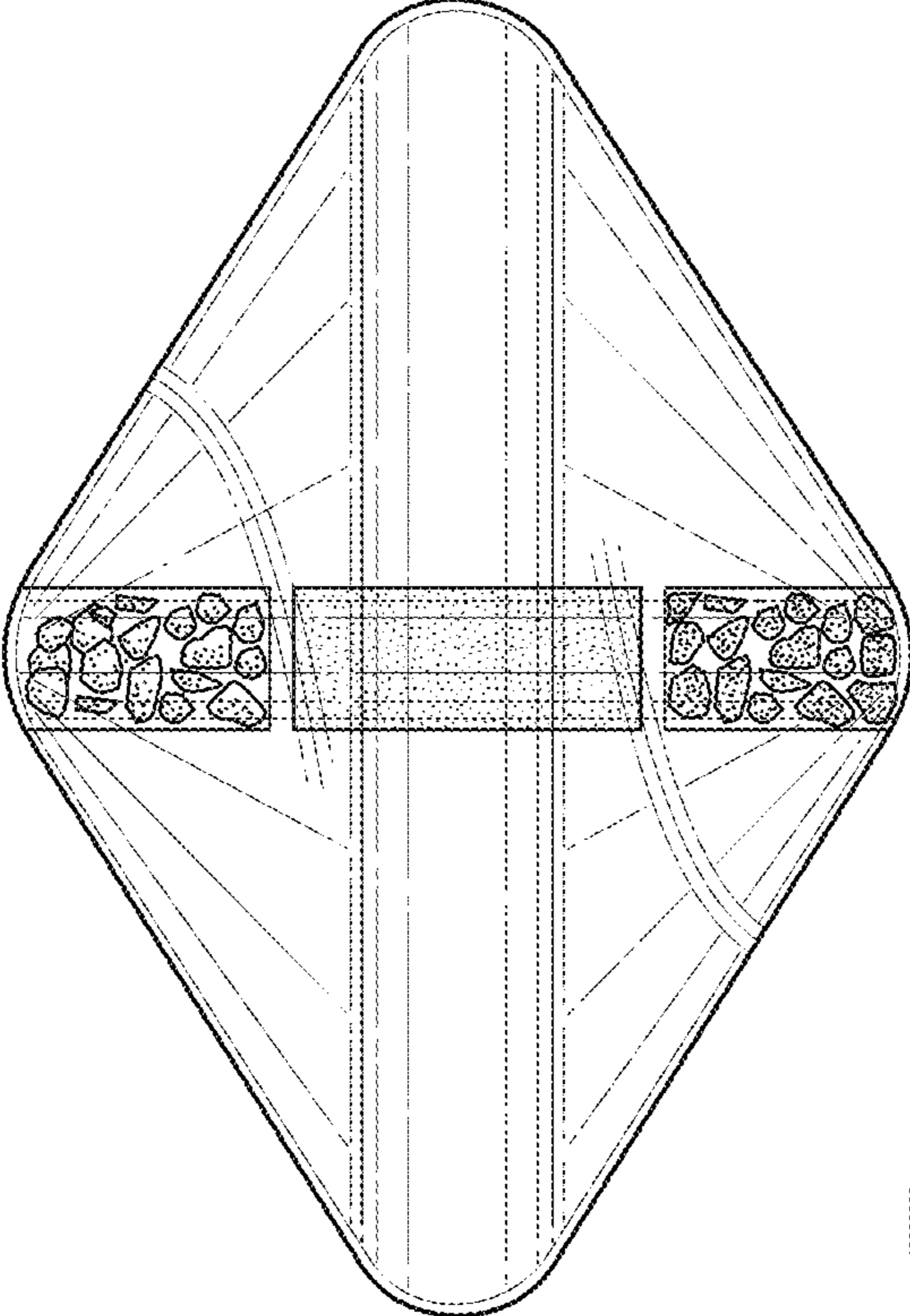


FIG. 4

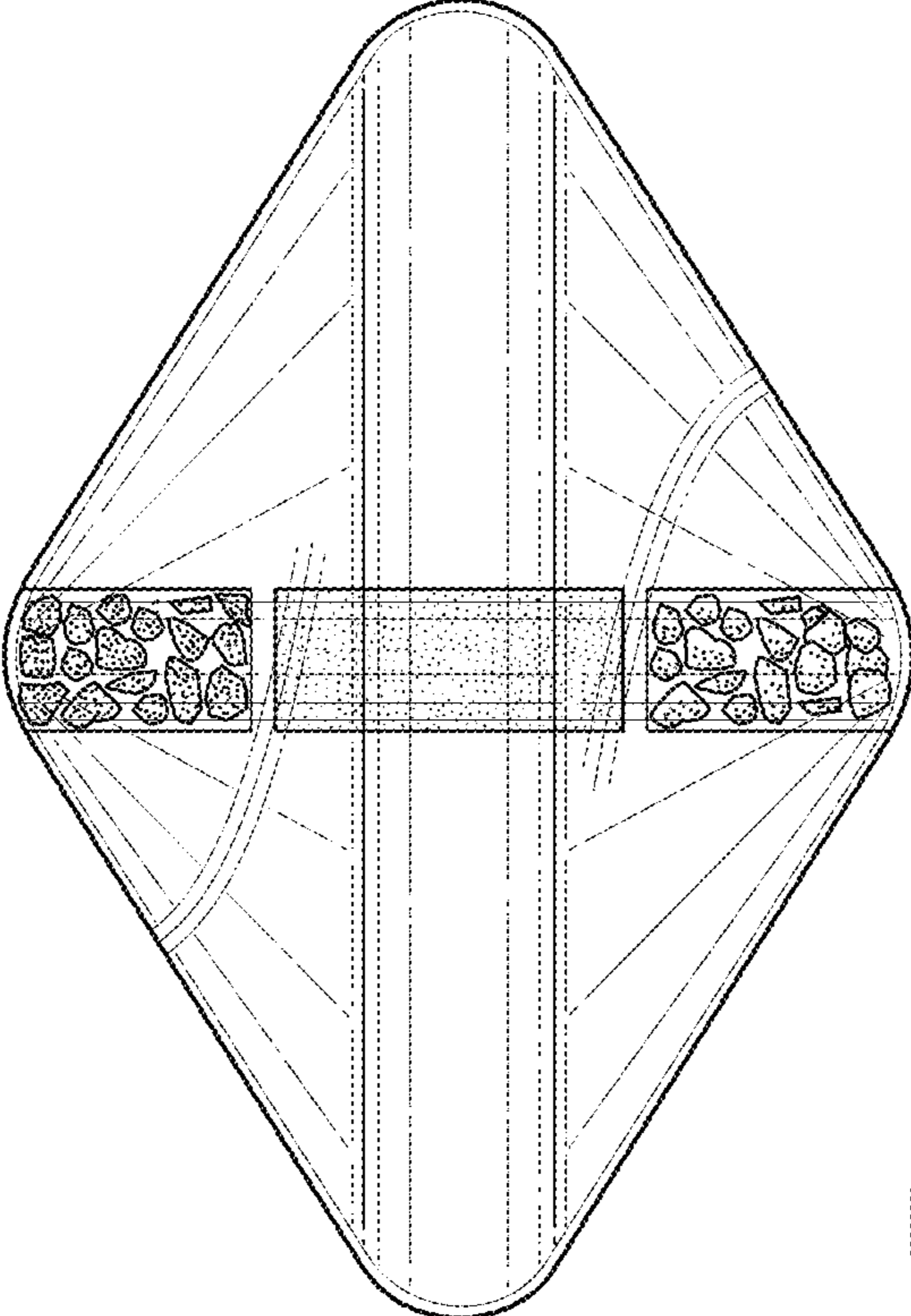
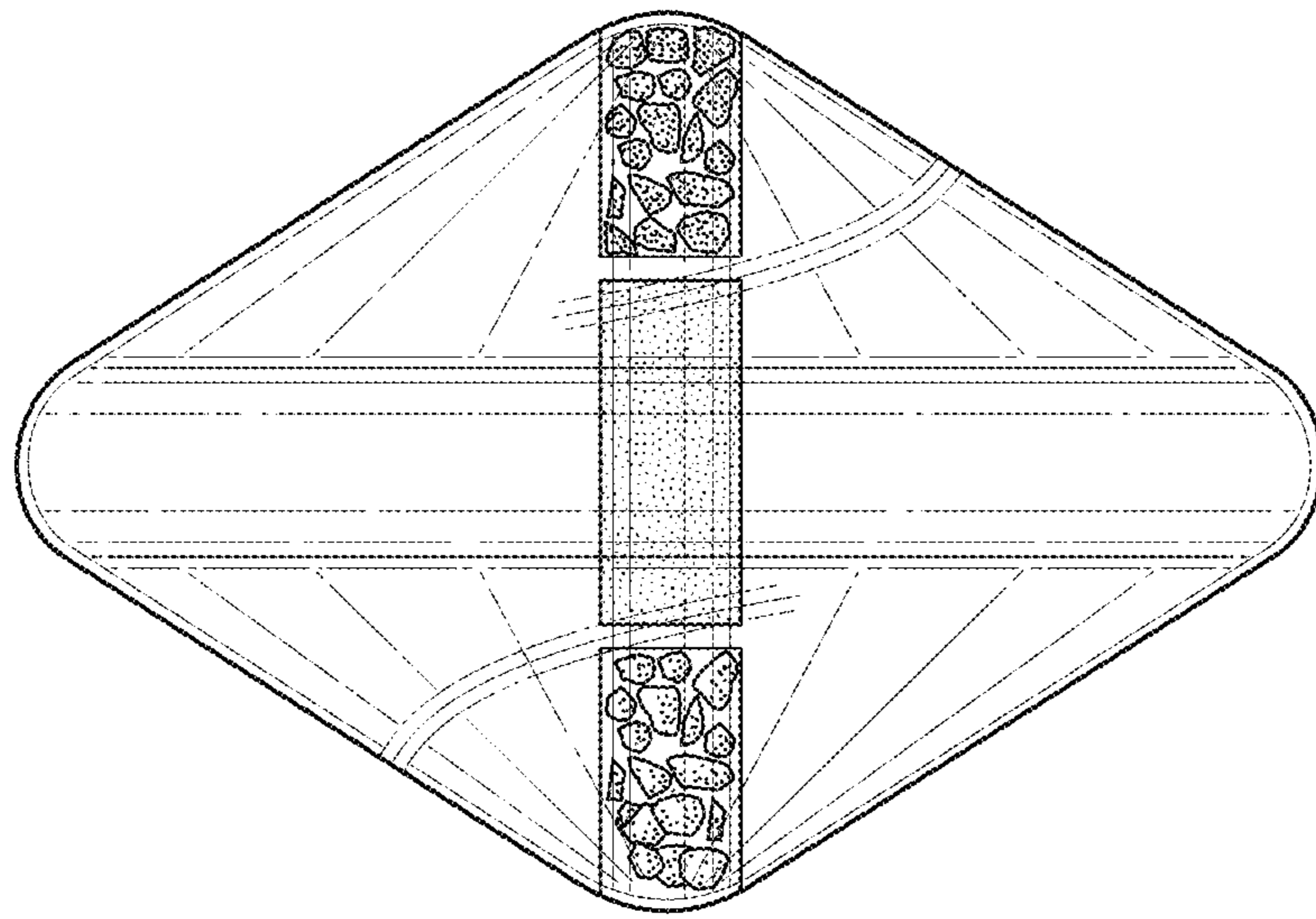
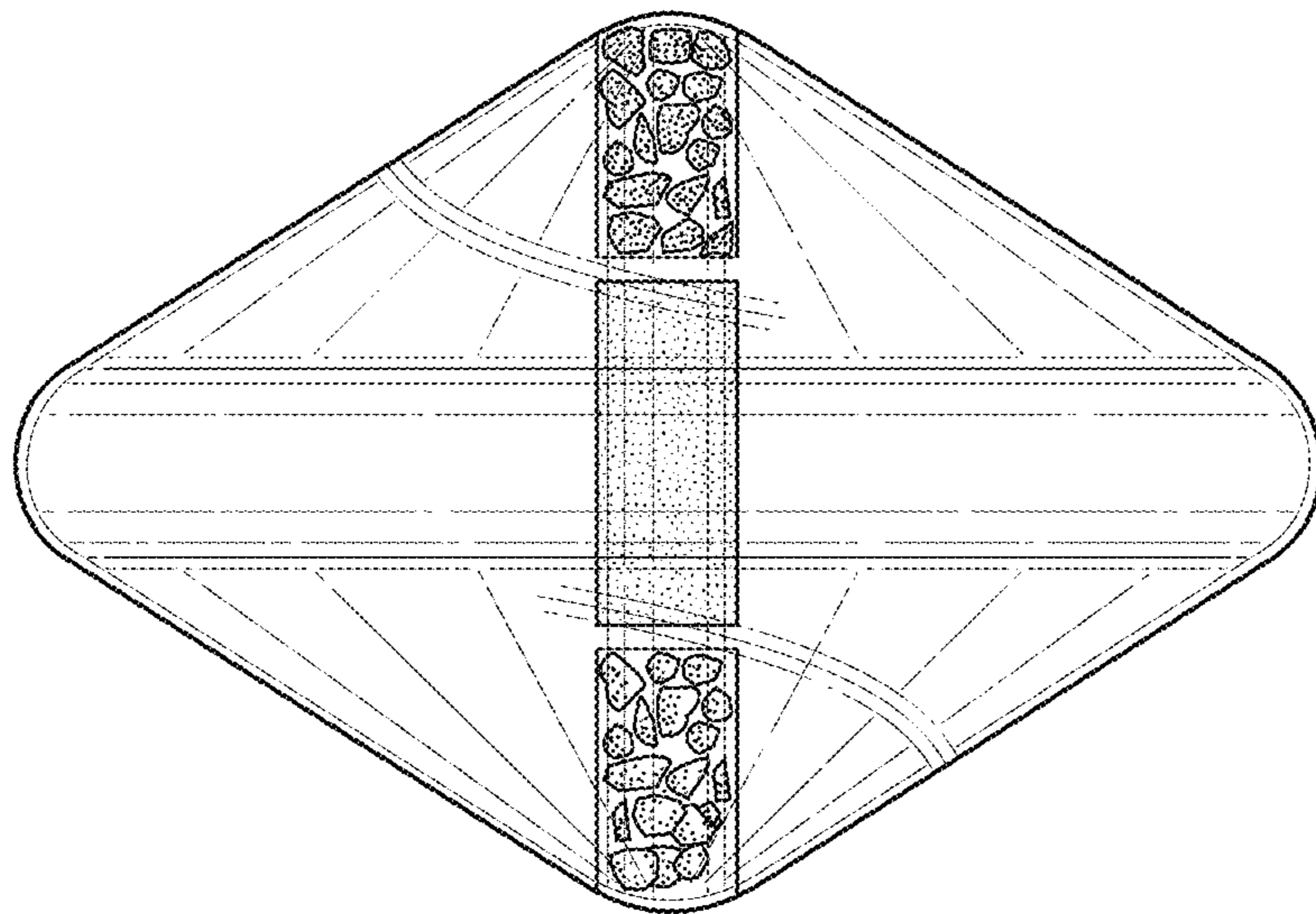


FIG. 5



**FIG. 6**



**FIG. 7**