



US00D796370S

(12) **United States Design Patent** (10) **Patent No.:** **US D796,370 S**  
**Rafaelian** (45) **Date of Patent:** **\*\* \*Sep. 5, 2017**

(54) **BRACELET**

(71) Applicant: **Alex and Ani, LLC**, Cranston, RI (US)

(72) Inventor: **Carolyn A. Rafaelian**, Cranston, RI (US)

(73) Assignee: **Alex and Ani, LLC**, Cranston, RI (US)

(\*) Notice: This patent is subject to a terminal disclaimer.

(\*\*) Term: **15 Years**

(21) Appl. No.: **29/557,585**

(22) Filed: **Mar. 10, 2016**

(51) **LOC (10) Cl.** ..... **11-01**

(52) **U.S. Cl.**  
USPC ..... **D11/5**

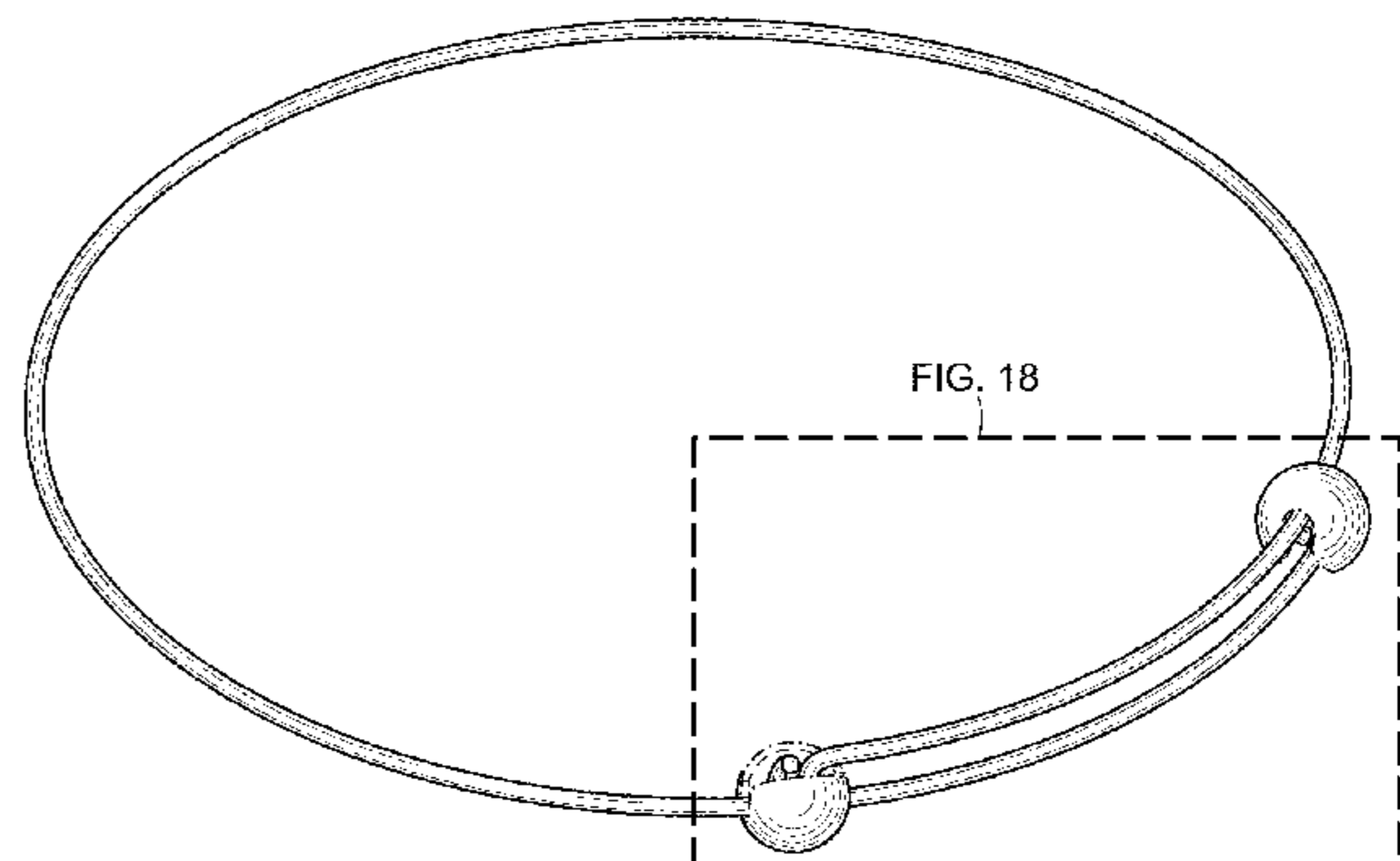
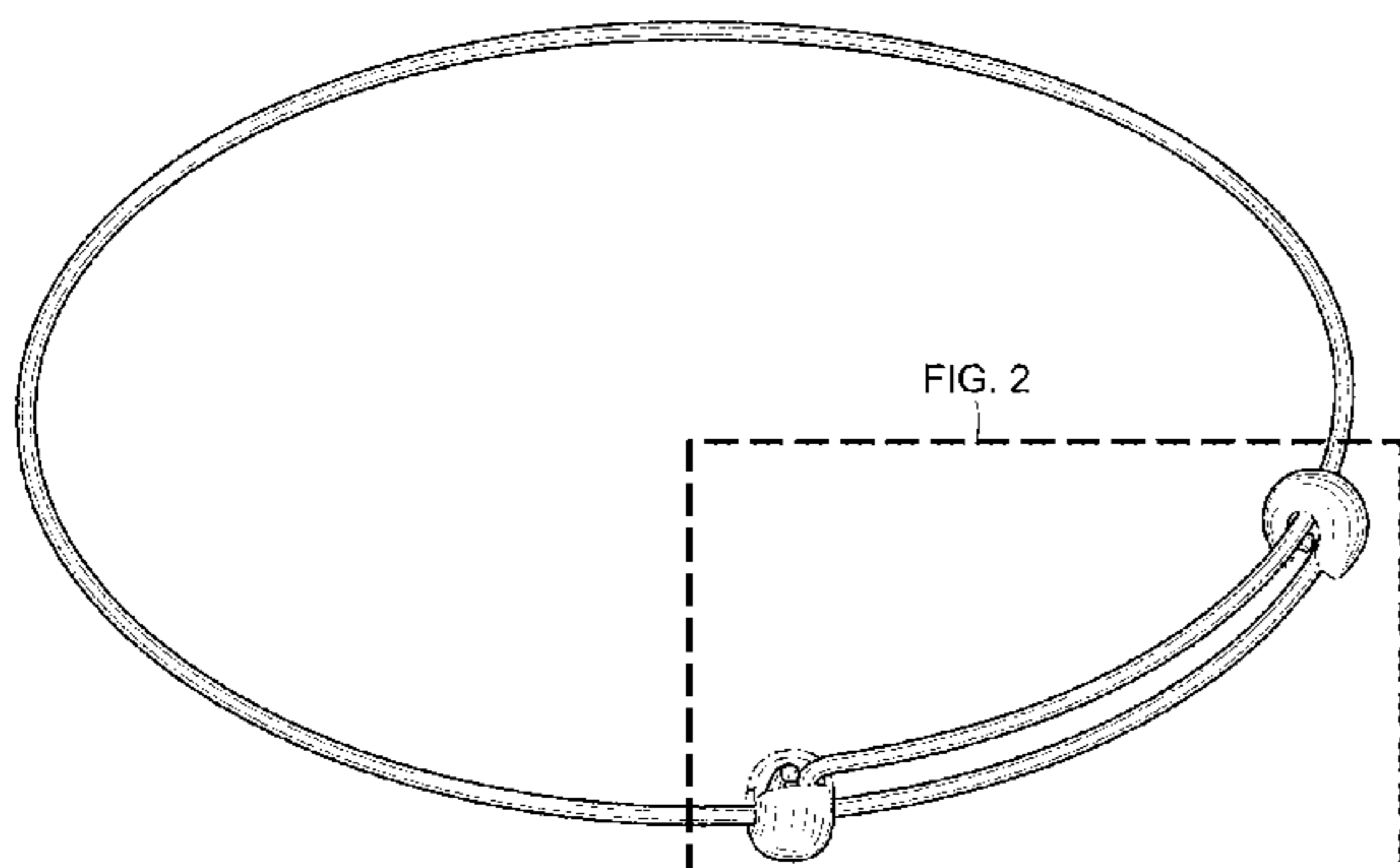
(58) **Field of Classification Search**  
USPC ..... D11/1-39; D28/41  
CPC .. A44C 5/00; A44C 5/10; A44C 5/022; A44C 5/025; A44C 5/145; A44C 5/0007; A44C 5/0061; A44C 5/0076; A44C 5/0084; A44C 5/0092; A44C 5/2071; A44C 5/2085; A44C 9/0038; A44C 9/0053; A44C 17/02; A44C 5/0069; A44C 5/142  
See application file for complete search history.

(56) **References Cited**

U.S. PATENT DOCUMENTS

118,294 A 8/1871 Stevens  
D14,438 S 11/1883 Ahn  
393,239 A 11/1888 Johnstone  
421,615 A 2/1890 Riker  
933,303 A 5/1911 Kirby  
1,124,518 A 1/1915 Qvarnstrom  
D69,012 S 12/1925 Dalin  
2,462,425 A 2/1949 Pratt et al.  
D224,257 S 7/1972 Lee  
D245,834 S 9/1977 Wilbert  
4,321,804 A 3/1982 Borofsky et al.  
4,334,413 A 6/1982 Gaston et al.  
D267,159 S 12/1982 Borofsky

D268,013 S 2/1983 Stimmler  
D295,267 S 4/1988 Saraga  
5,247,814 A 9/1993 McDonald  
5,307,582 A 5/1994 Quintel  
D382,829 S 8/1997 Hoffman  
D439,192 S 3/2001 Ruscitti  
D472,177 S 3/2003 McCullough-McPherson  
6,564,582 B1 5/2003 Brachfeld  
D487,709 S 3/2004 Ferlise  
D498,167 S 11/2004 Ferlise  
D525,553 S 7/2006 Toupet  
D619,026 S 7/2010 Papadimitriou  
D658,085 S 4/2012 Rafaelian  
D658,086 S 4/2012 Rafaelian  
D658,087 S 4/2012 Rafaelian  
D658,088 S 4/2012 Rafaelian  
D658,089 S 4/2012 Rafaelian  
D658,528 S 5/2012 Rafaelian  
D662,849 S 7/2012 Rafaelian  
D663,232 S 7/2012 Rafaelian  
D663,233 S 7/2012 Rafaelian  
D664,466 S 7/2012 Rafaelian  
D669,115 S \* 10/2012 Kalbach ..... D16/339  
D669,385 S 10/2012 Rafaelian  
D672,678 S \* 12/2012 Nadeau ..... D11/11  
D678,102 S 3/2013 Rafaelian  
D686,520 S 7/2013 Rafaelian  
D700,860 S 3/2014 Nadeau  
D703,087 S 4/2014 Fiasconaro  
D703,088 S 4/2014 Fiasconaro  
D704,085 S 5/2014 DiPietro  
D704,086 S \* 5/2014 DiPietro ..... D11/5  
D704,087 S \* 5/2014 DiPietro ..... D11/5  
D706,665 S 6/2014 Goldwitz  
D707,149 S 6/2014 Ovardia  
D707,582 S \* 6/2014 DiPietro ..... D11/5  
D708,088 S 7/2014 DeCristofaro  
D709,789 S \* 7/2014 Soares ..... D11/5  
8,769,986 B1 \* 7/2014 DiPietro ..... A44C 5/0092  
63/3.1  
RE45,079 E 8/2014 Ferlise  
D710,738 S \* 8/2014 Kim ..... D11/4  
D716,175 S 10/2014 Rosenel  
D724,470 S 3/2015 Rafaelian  
D724,471 S 3/2015 Blondet  
D724,472 S 3/2015 Blondet  
D724,473 S 3/2015 Blondet  
D724,474 S 3/2015 Blondet  
D724,475 S 3/2015 Lux  
D724,985 S 3/2015 Blondet  
D724,986 S 3/2015 Blondet  
D729,101 S 5/2015 Rafaelian  
D738,773 S 9/2015 Rafaelian



9,301,580 B1 4/2016 Rafaelian  
 2007/0022778 A1 2/2007 Ferlise  
 2014/0090215 A1 4/2014 Lixenberg

## FOREIGN PATENT DOCUMENTS

CA	154431	10/2014
CA	160435	3/2016
EP	1 038 463 A1	9/2000
GB	233872 A	5/1925
JP	1177437 S	6/2003
JP	1268404 S	4/2006
JP	1496501 S	5/2014
KR	3008138520000	9/2005

## OTHER PUBLICATIONS

Hinks, Victorian Jewellery. pp. 41, 97, 200, 201, 204. 1991. 6 pages.  
 [No Author Listed] Illustrated Jewelry Catalog 1892. The New England Jeweler. 1998; p. 52.

[No Author Listed] How to make a sliding adjustable necklace. Rings & Things Jewelry Making Blog. Jun. 2011 <http://www.rings-things.com/blog/2011/06/23/how-to-make-a-sliding-adjustable-necklace/> [accessed Dec. 12, 2014]. 3 pages.

[No Author Listed] Rings & Things Blog. Jun. 23, 2011. <http://www.rings-things.com/blog/2011/06/#.VDRi6fldUWY>. 1 page.

[No Author Listed] Sterling Silver Black Leather Expandable Cord Bracelet #312709—IceCarats. <http://www.icecarats.com/sterling-silver-black-leather-expandable-cord-bracelet-312709...> [accessed Dec. 12, 2014]. 4 pages.

[No Author Listed] Sterling Silver Claddagh Baby Childrens Bracelet Expandable 6.5 in. BlingJewelry.com [http://www.blingjewelry.com/bling-jewelry-sterling-silver-claddagh-baby-childrens-bangle-bracelet-expandable.html?gclid=CjwKEAjwns6hBRDTpb\\_jkbTv1UYSJACBhberDYKsTmUeeL1zKQhqmXJpCt5R0FaU0vmR0fDty1GSrBoCwDPw\\_wcB](http://www.blingjewelry.com/bling-jewelry-sterling-silver-claddagh-baby-childrens-bangle-bracelet-expandable.html?gclid=CjwKEAjwns6hBRDTpb_jkbTv1UYSJACBhberDYKsTmUeeL1zKQhqmXJpCt5R0FaU0vmR0fDty1GSrBoCwDPw_wcB) [Accessed Aug. 5, 2016]. 3 pages.

[No Author Listed] Sterling Silver Claddagh Baby Childrens Bracelet Expandable 6.5 in. [http://www.blingjewelry.com/bling-jewelry-sterling-silver-claddagh-baby-childrens-bangle-bracelet-expandable.html?gclid=CjwKEAjwns6hBRDTpb\\_jkbTv1UYSJACBhberDYKsTmUeeL1zKQhqmXJpCt5R0FaU0vmR0fDty1GSrBoCwDPw\\_wcB](http://www.blingjewelry.com/bling-jewelry-sterling-silver-claddagh-baby-childrens-bangle-bracelet-expandable.html?gclid=CjwKEAjwns6hBRDTpb_jkbTv1UYSJACBhberDYKsTmUeeL1zKQhqmXJpCt5R0FaU0vmR0fDty1GSrBoCwDPw_wcB) [Accessed at least as early as Aug. 10, 2015]. 1 page.

[No Author Listed] Sterling Silver Adjustable “Live Laugh Love” Graffiti Charm Bangle Bracelet. Webpage from Oct. 14, 2016. <https://amzn.com/B00M10MAH4>.

\* cited by examiner

*Primary Examiner* — Cathron Brooks

*Assistant Examiner* — Richard Kearney

(74) *Attorney, Agent, or Firm* — Merchant & Gould P.C.

## (57) CLAIM

The ornamental design for a bracelet, as shown and described.

## DESCRIPTION

FIG. 1 is a top, front, left side, perspective view of a bracelet showing a first embodiment of my new design;

FIG. 2 is an enlarged fragmentary view showing a portion of FIG. 1;

FIG. 3 is a top, front, right side, perspective view of the bracelet;

FIG. 4 is an enlarged fragmentary view showing a portion of FIG. 3;

FIG. 5 is a top plan view of the bracelet;

FIG. 6 is an enlarged fragmentary view showing a portion of FIG. 5;

FIG. 7 is a front elevation view of the bracelet;

FIG. 8 is an enlarged fragmentary view showing a portion of FIG. 7;

FIG. 9 is a rear elevation of the bracelet;

FIG. 10 is an enlarged fragmentary view showing a portion of FIG. 9;

FIG. 11 is a right side elevation view of the bracelet;

FIG. 12 is an enlarged fragmentary view showing a portion of FIG. 11;

FIG. 13 is a left side elevation view of the bracelet;

FIG. 14 is an enlarged fragmentary view showing a portion of FIG. 13;

FIG. 15 is a bottom plan view of the bracelet;

FIG. 16 is an enlarged fragmentary view showing a portion of FIG. 15;

FIG. 17 is a top, front, left side, perspective view showing a second embodiment thereof;

FIG. 18 is an enlarged fragmentary view showing a portion of FIG. 17;

FIG. 19 is a top, front, right side, perspective view of FIG. 17;

FIG. 20 is an enlarged fragmentary view showing a portion of FIG. 19;

FIG. 21 is a top plan view of FIG. 17;

FIG. 22 is an enlarged fragmentary view showing a portion of FIG. 21;

FIG. 23 is a front elevation view of FIG. 17;

FIG. 24 is an enlarged fragmentary view showing a portion of FIG. 23;

FIG. 25 is a rear elevation view of FIG. 17;

FIG. 26 is an enlarged fragmentary view showing a portion of FIG. 25;

FIG. 27 is a right side elevation view of FIG. 17;

FIG. 28 is an enlarged fragmentary view showing a portion of FIG. 27;

FIG. 29 is a left side elevation view showing a portion of FIG. 17;

FIG. 30 is an enlarged fragmentary view showing a portion of FIG. 29;

FIG. 31 is a bottom plan view of FIG. 17; and,

FIG. 32 is an enlarged fragmentary view showing a portion of FIG. 31.

The dash-dash broken lines represent portions of the bracelet that form no part of the claimed design. The dot-dash broken lines represent boundaries of the claimed design and form no part of the claimed design.

**1 Claim, 12 Drawing Sheets**

FIG. 1

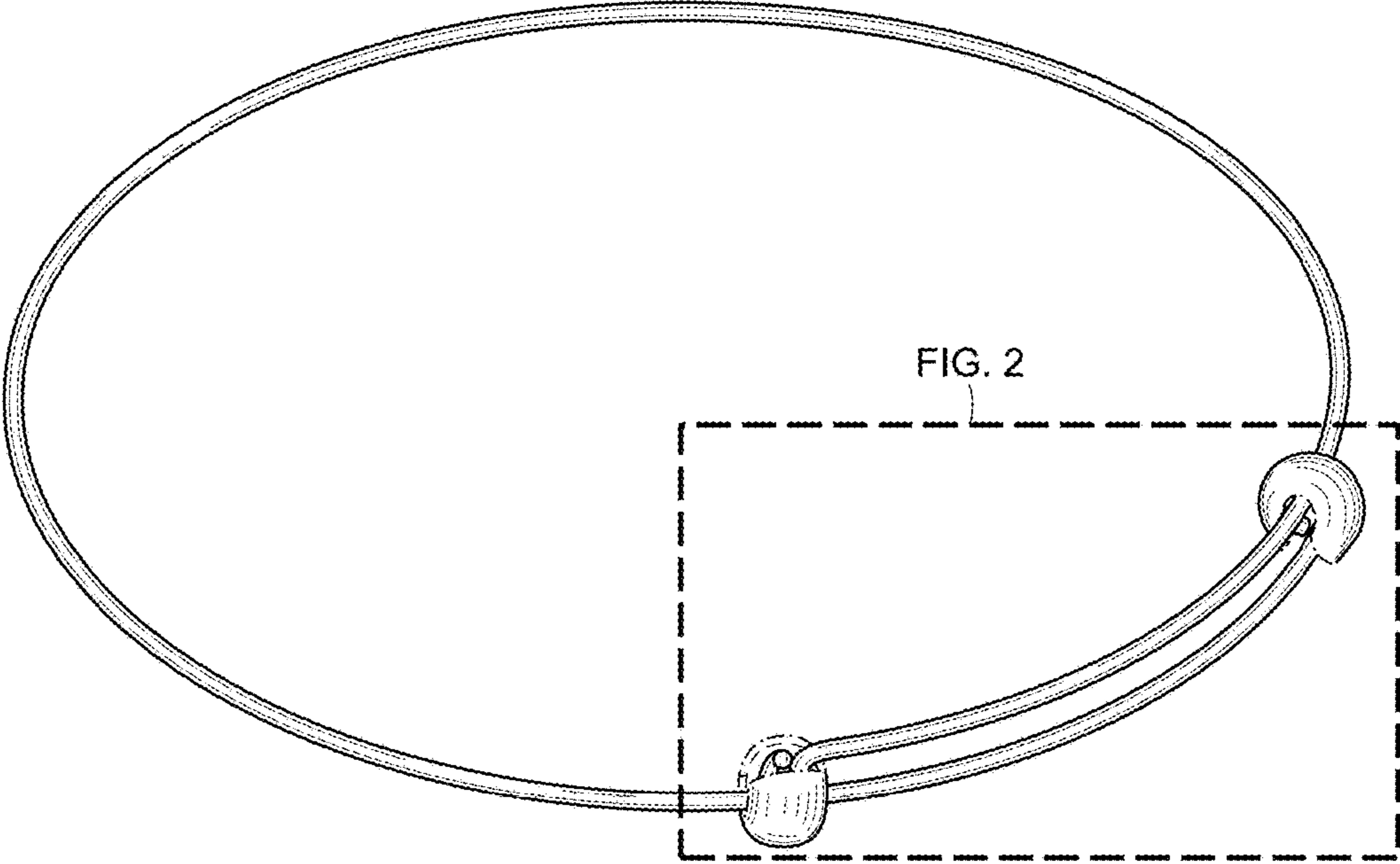


FIG. 2

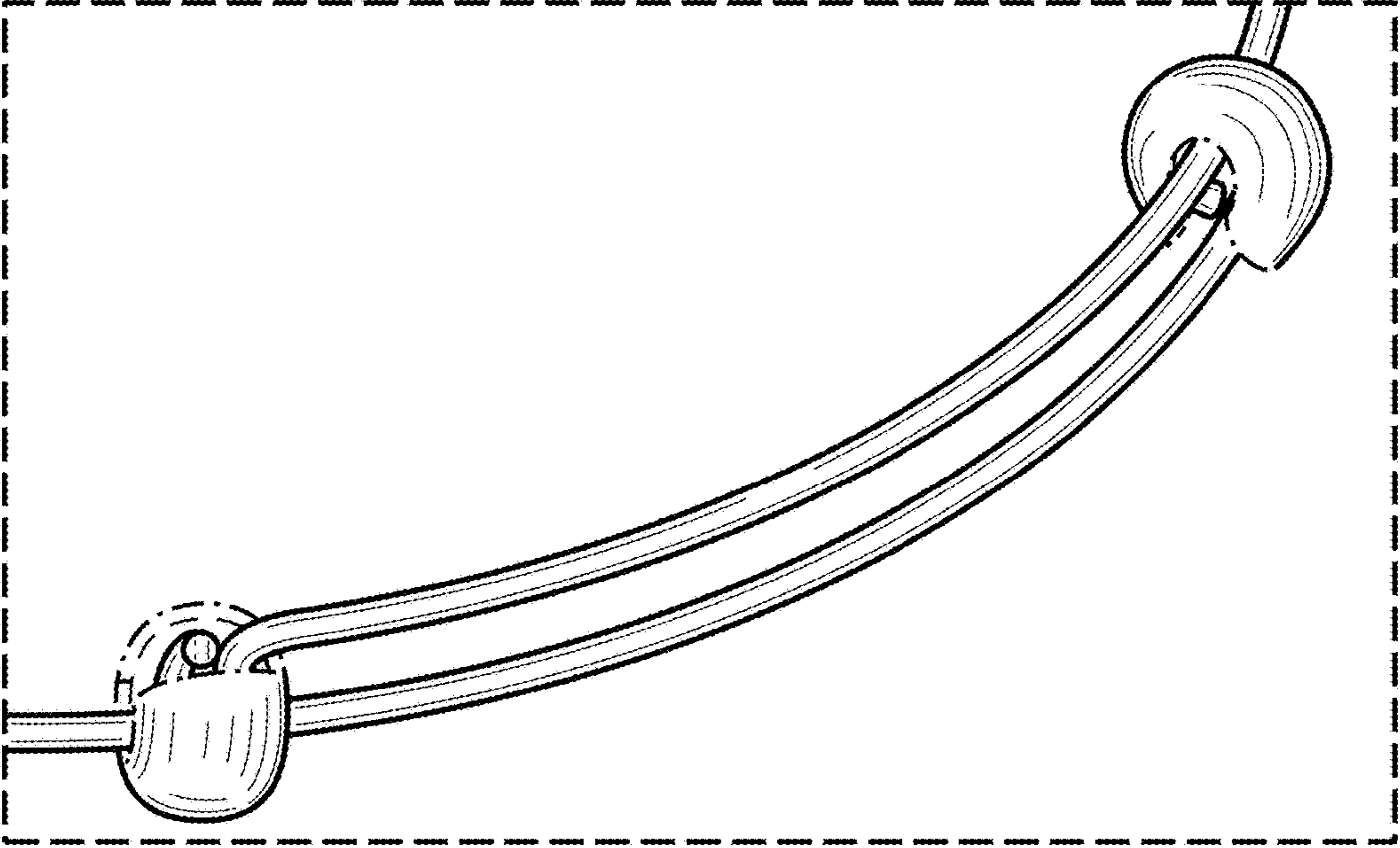


FIG. 3

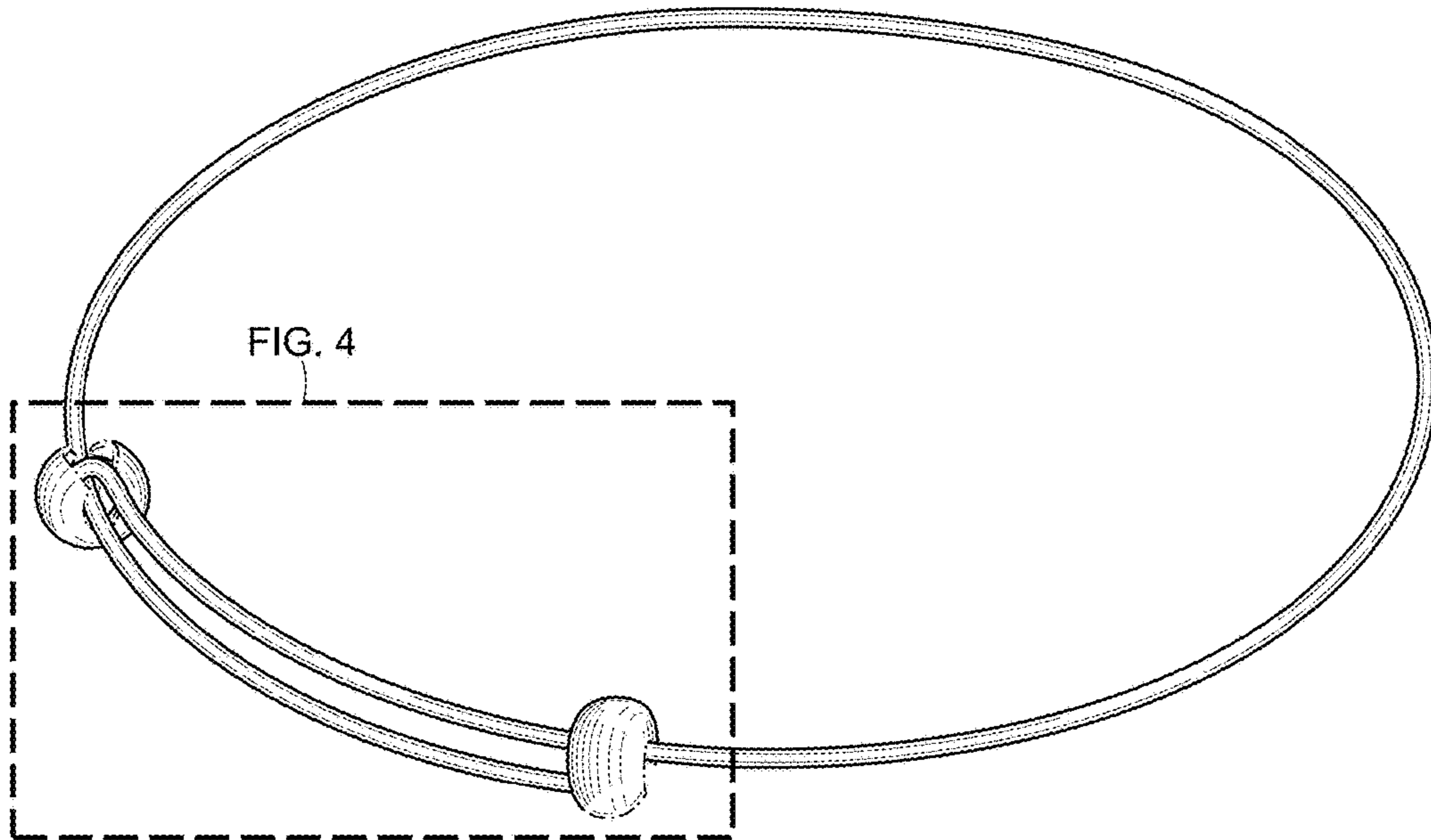


FIG. 4

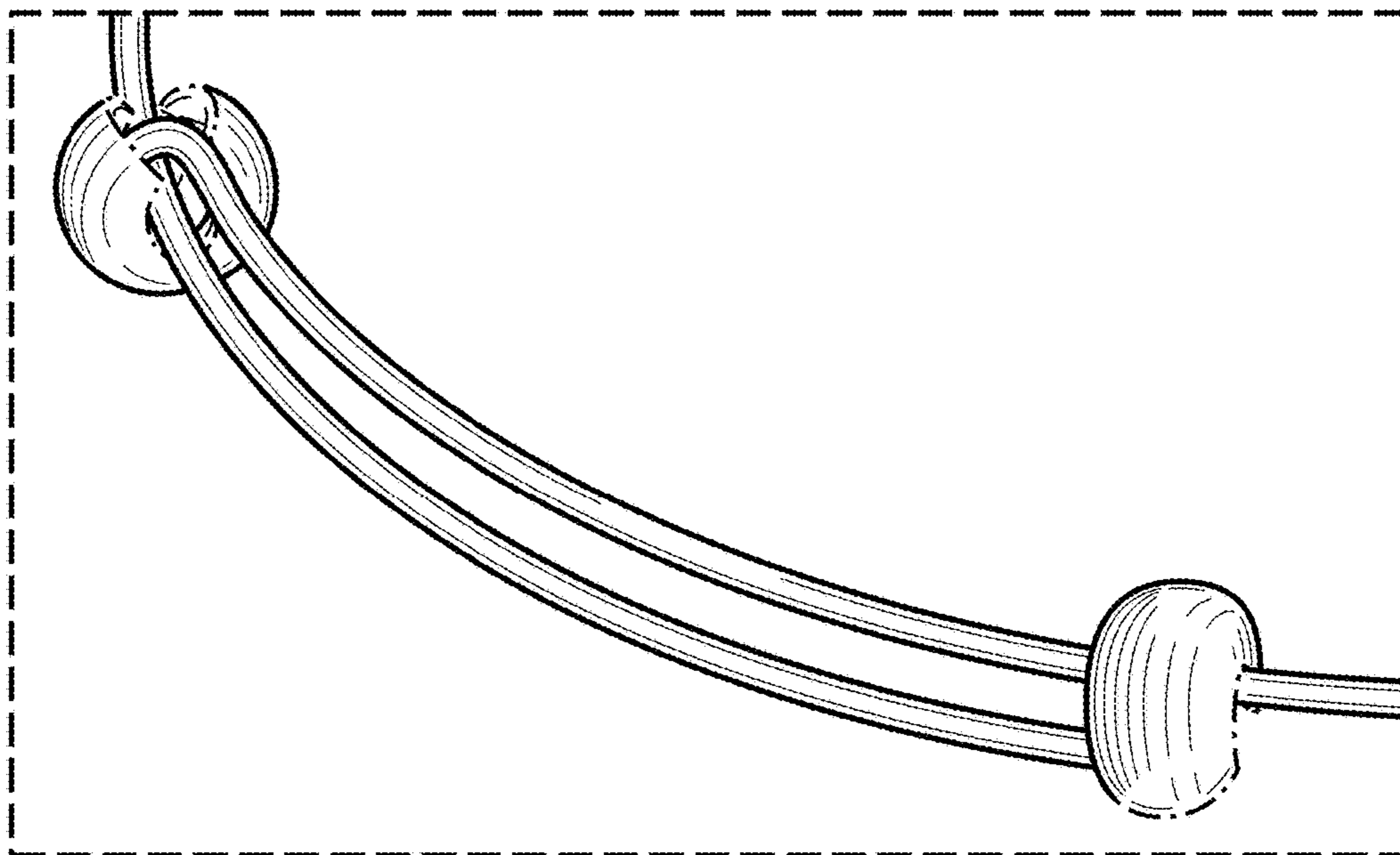


FIG. 5

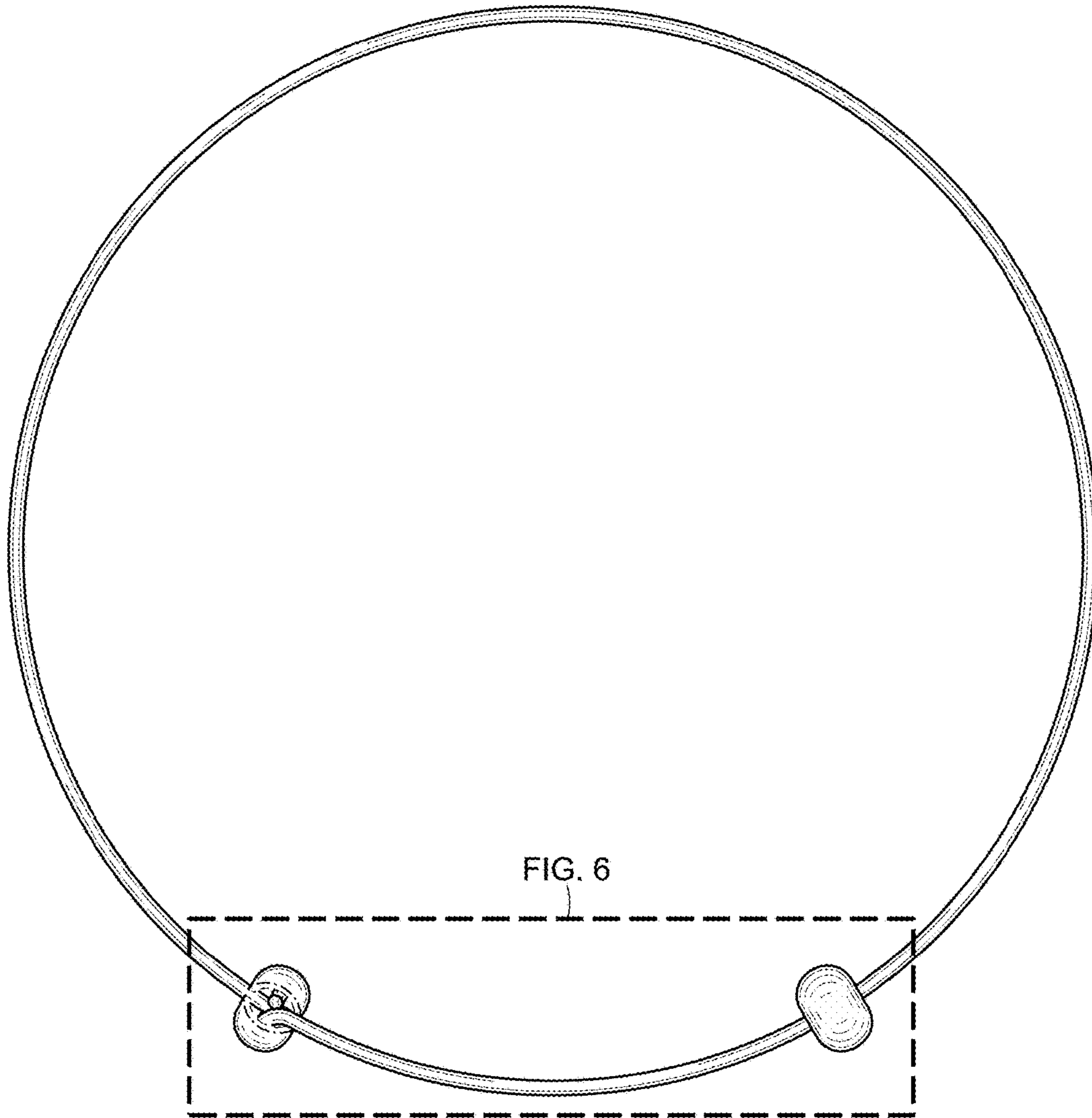


FIG. 6

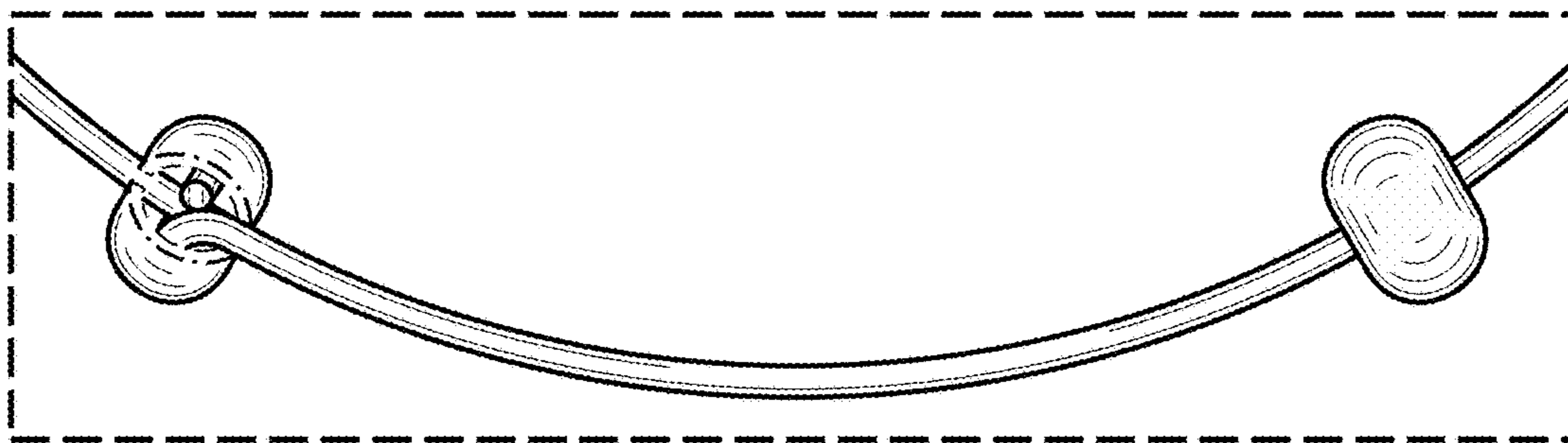


FIG. 7

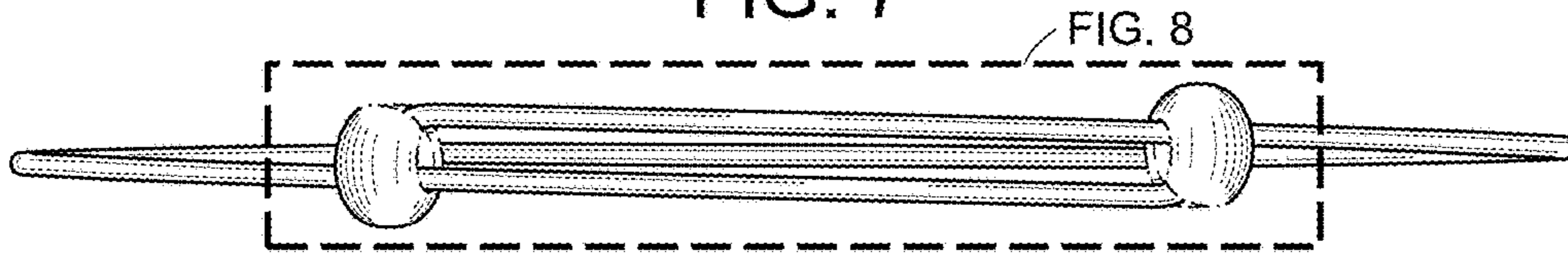


FIG. 8

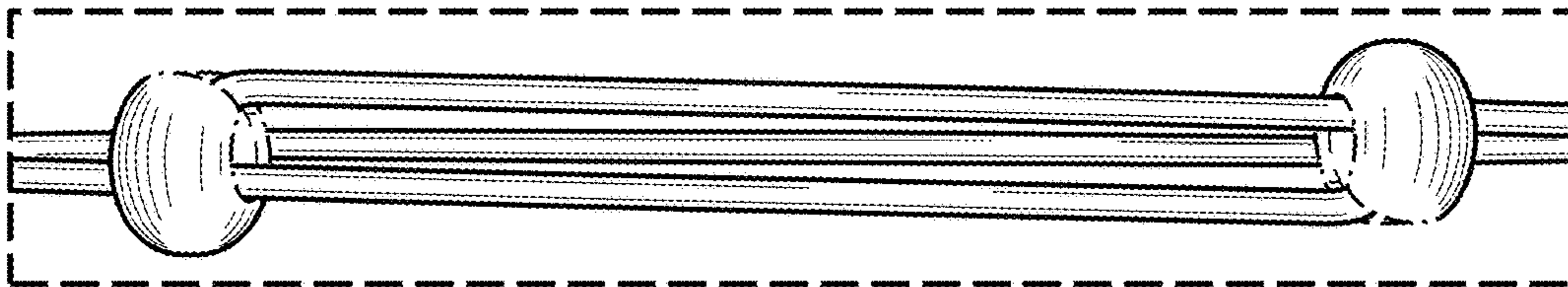


FIG. 9

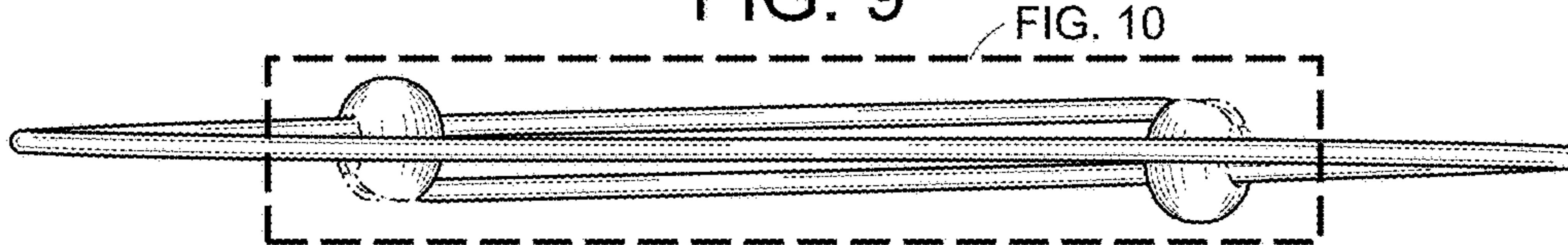
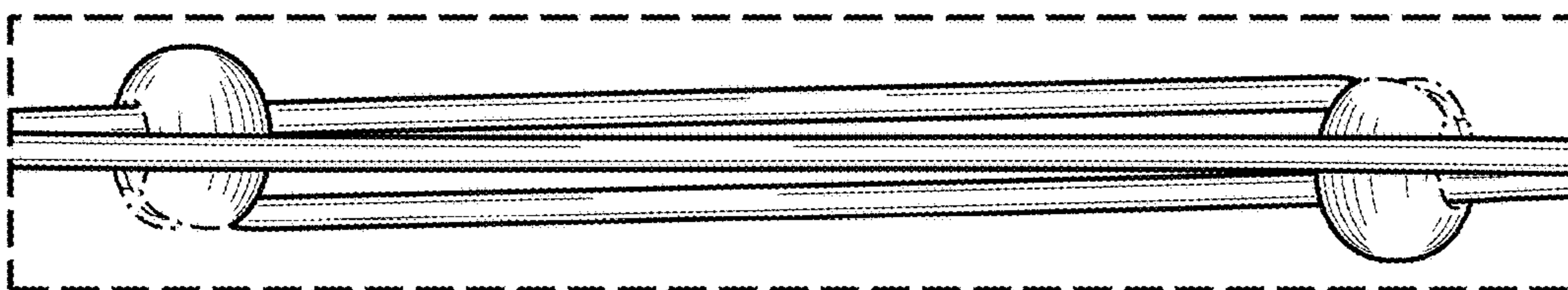


FIG. 10



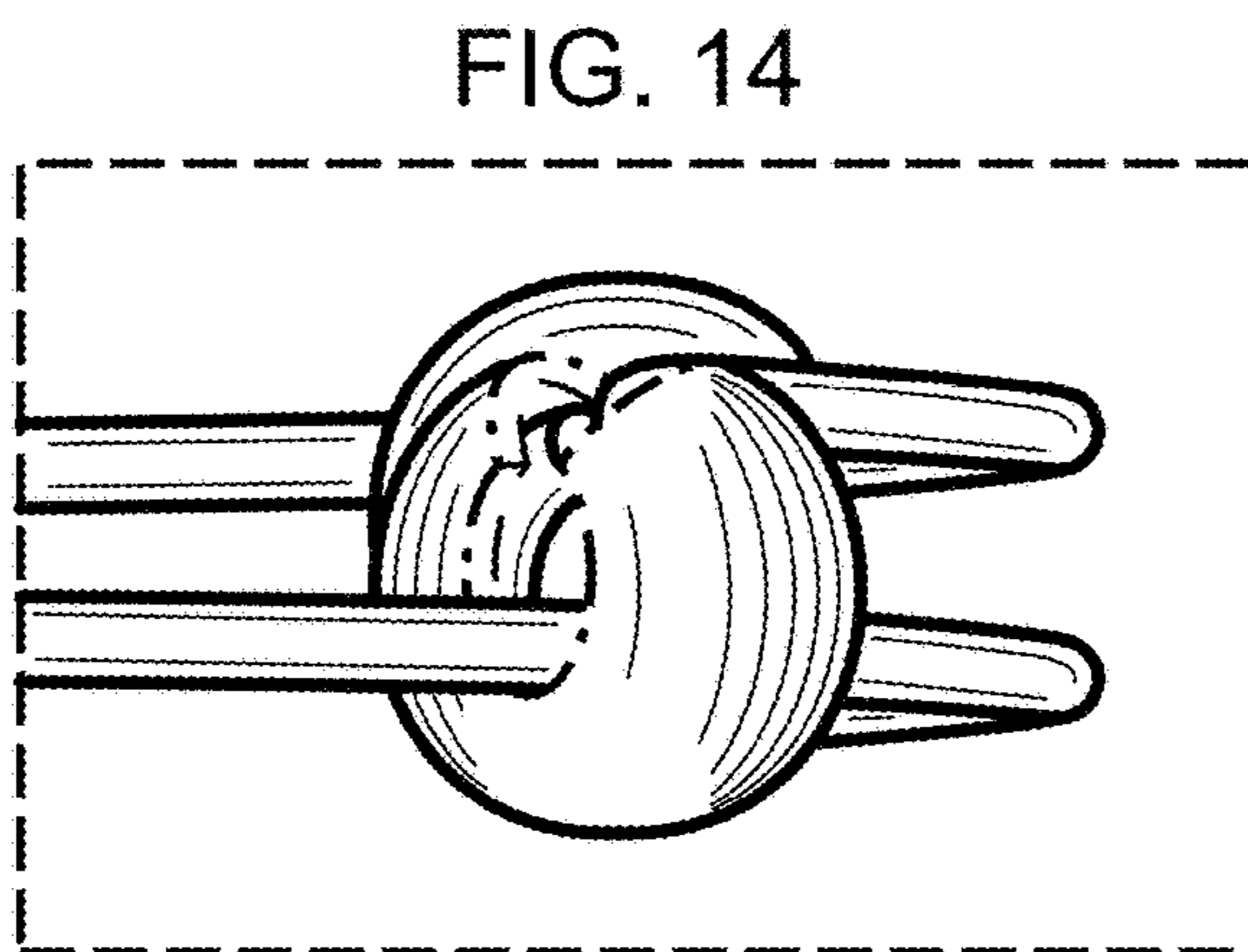
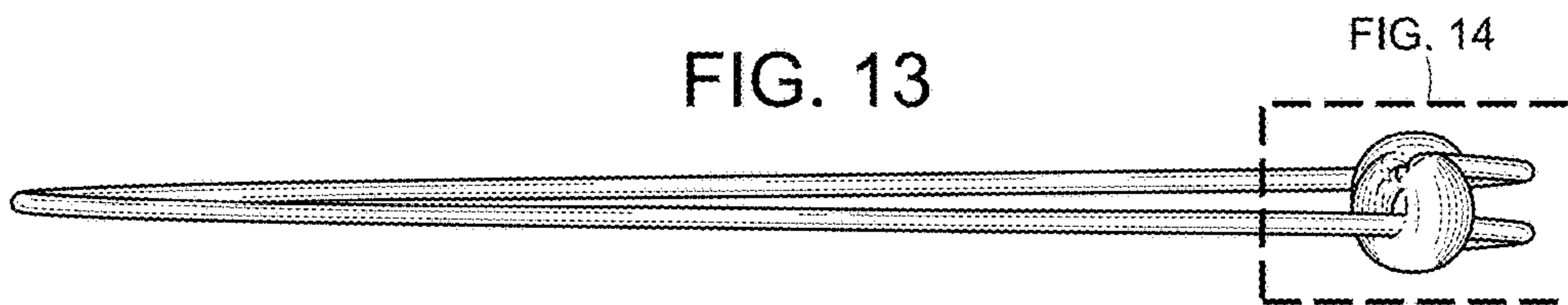
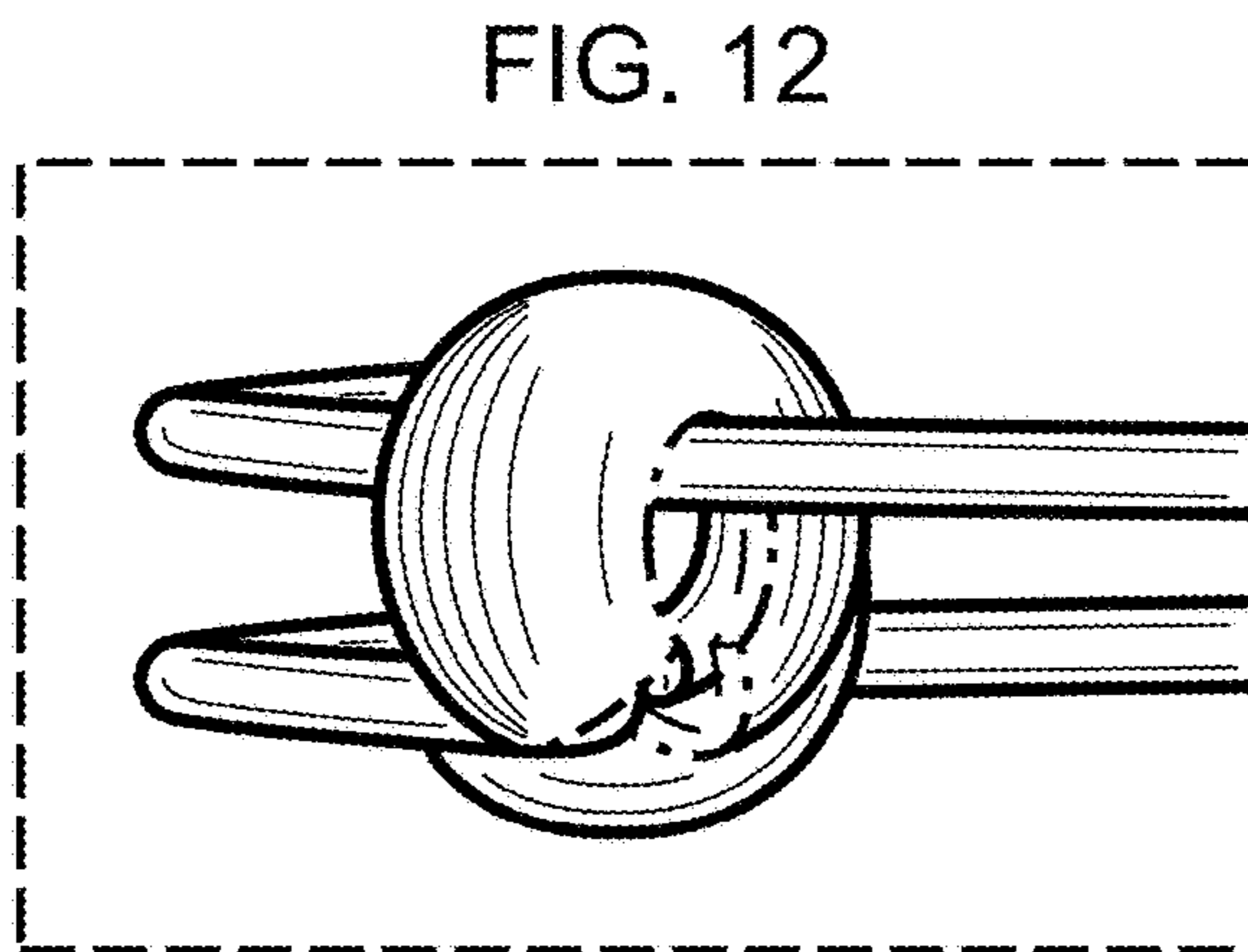
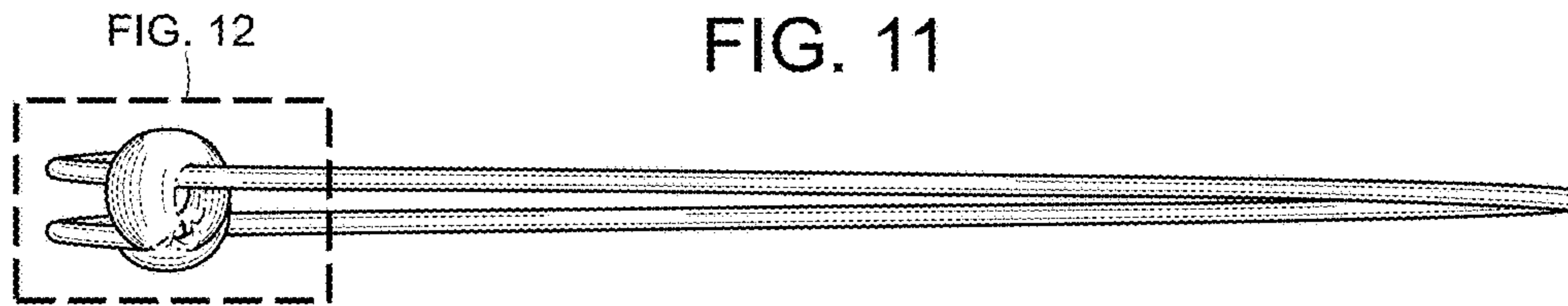


FIG. 15

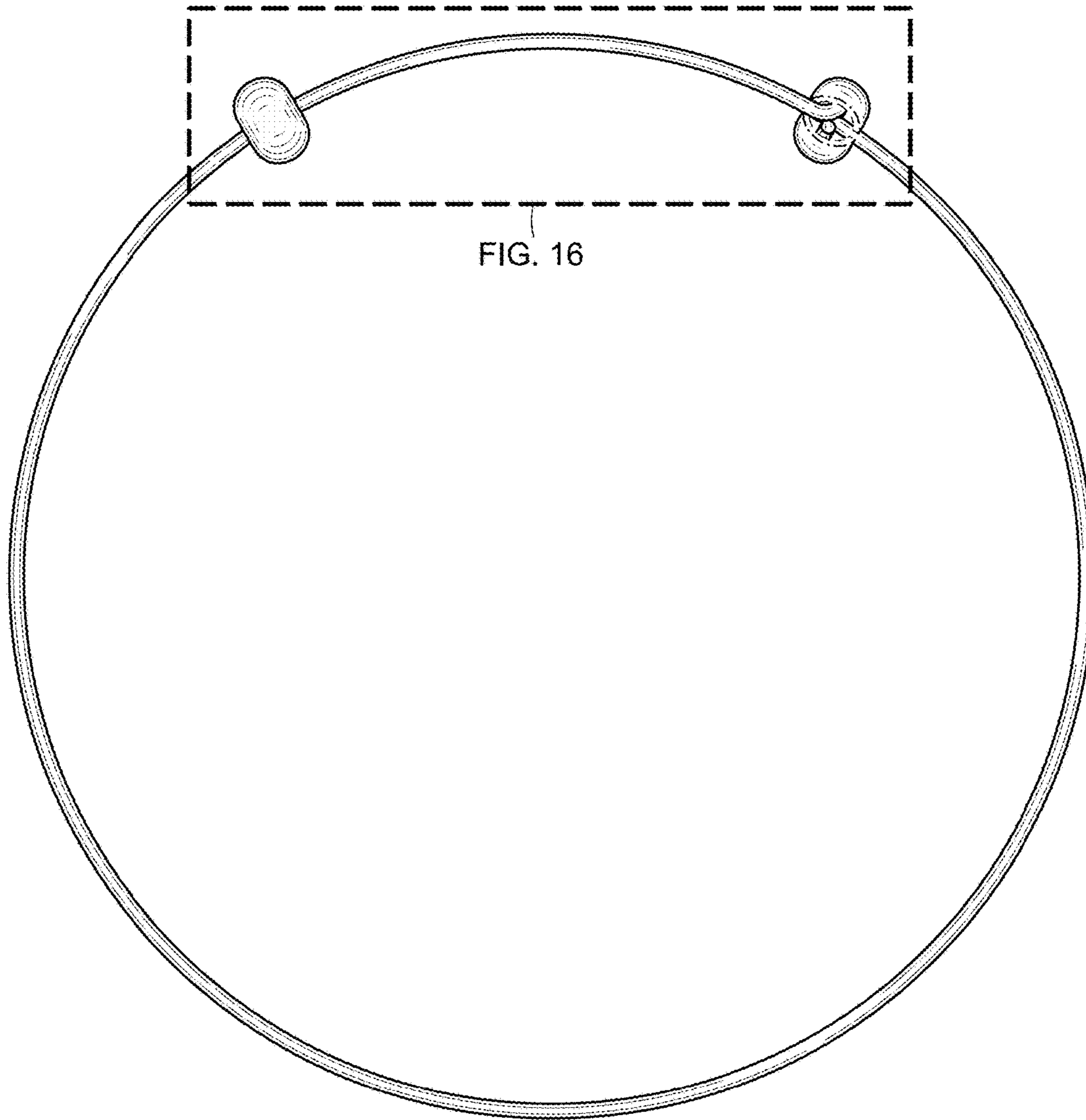


FIG. 16

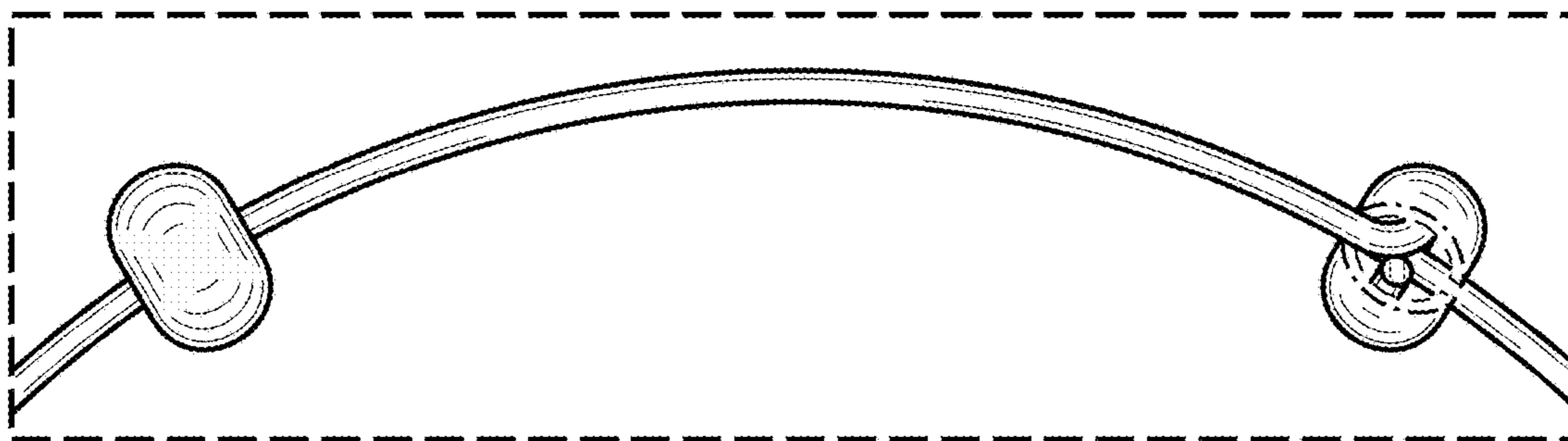




FIG. 17

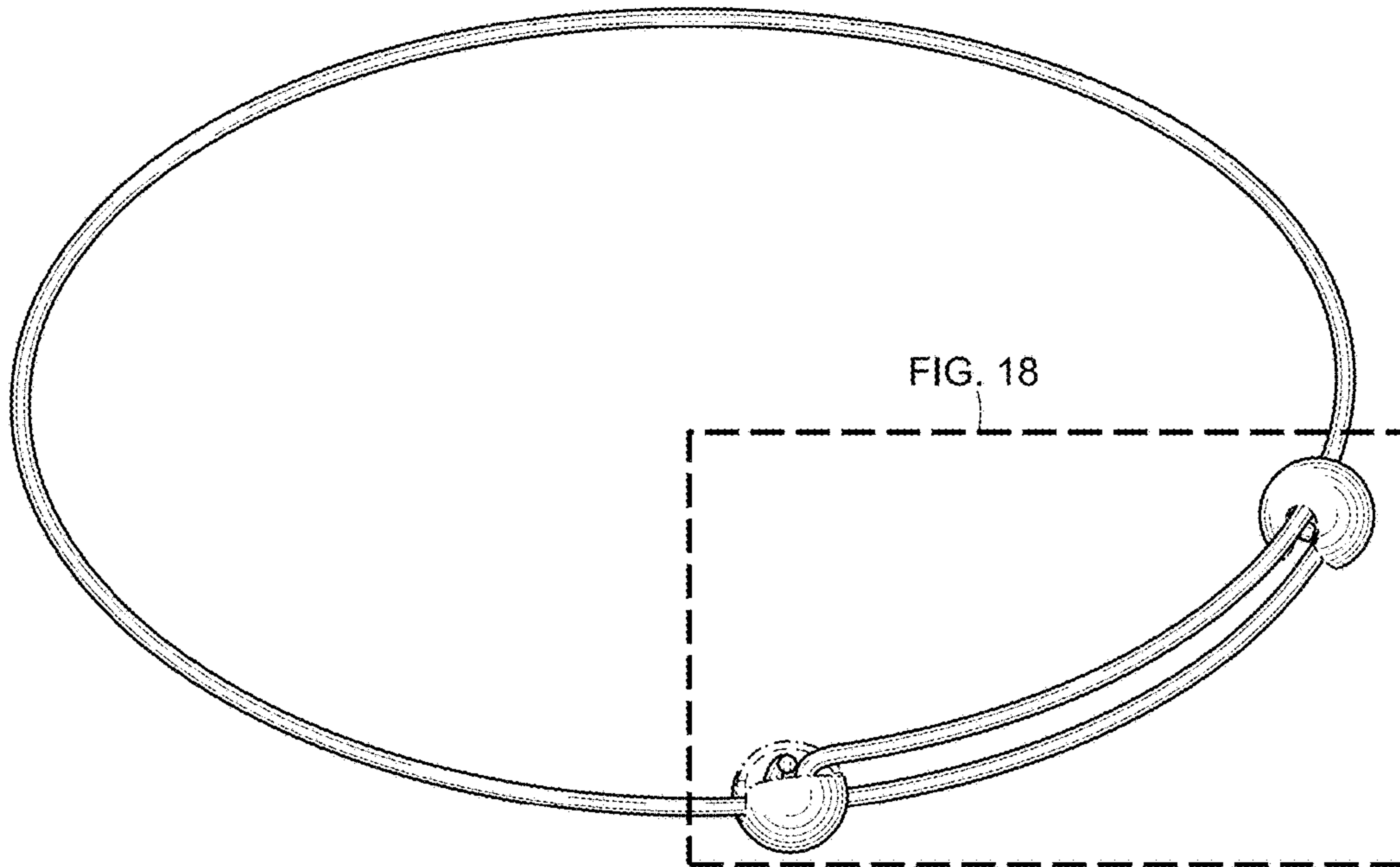


FIG. 18

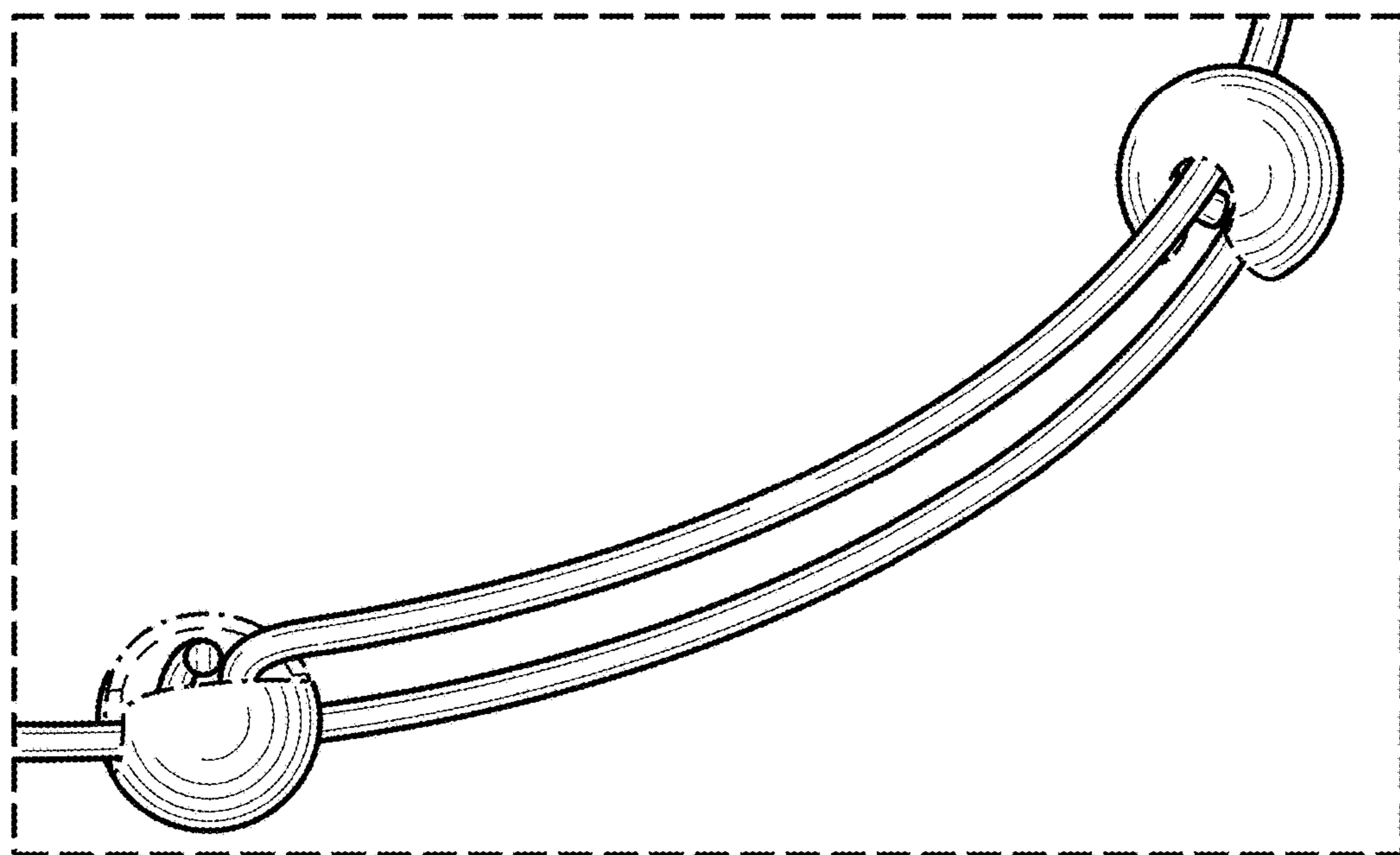


FIG. 19

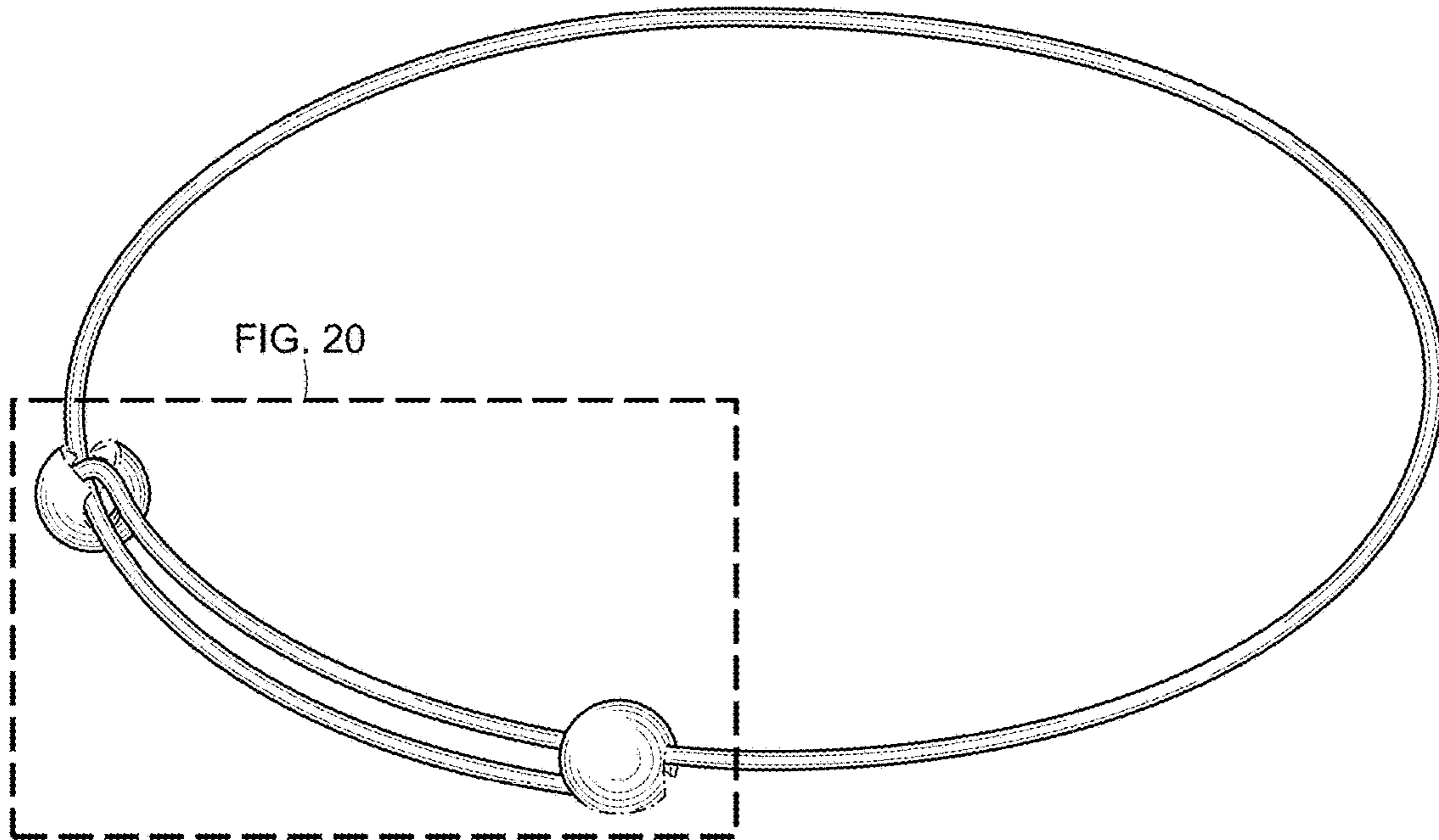


FIG. 20

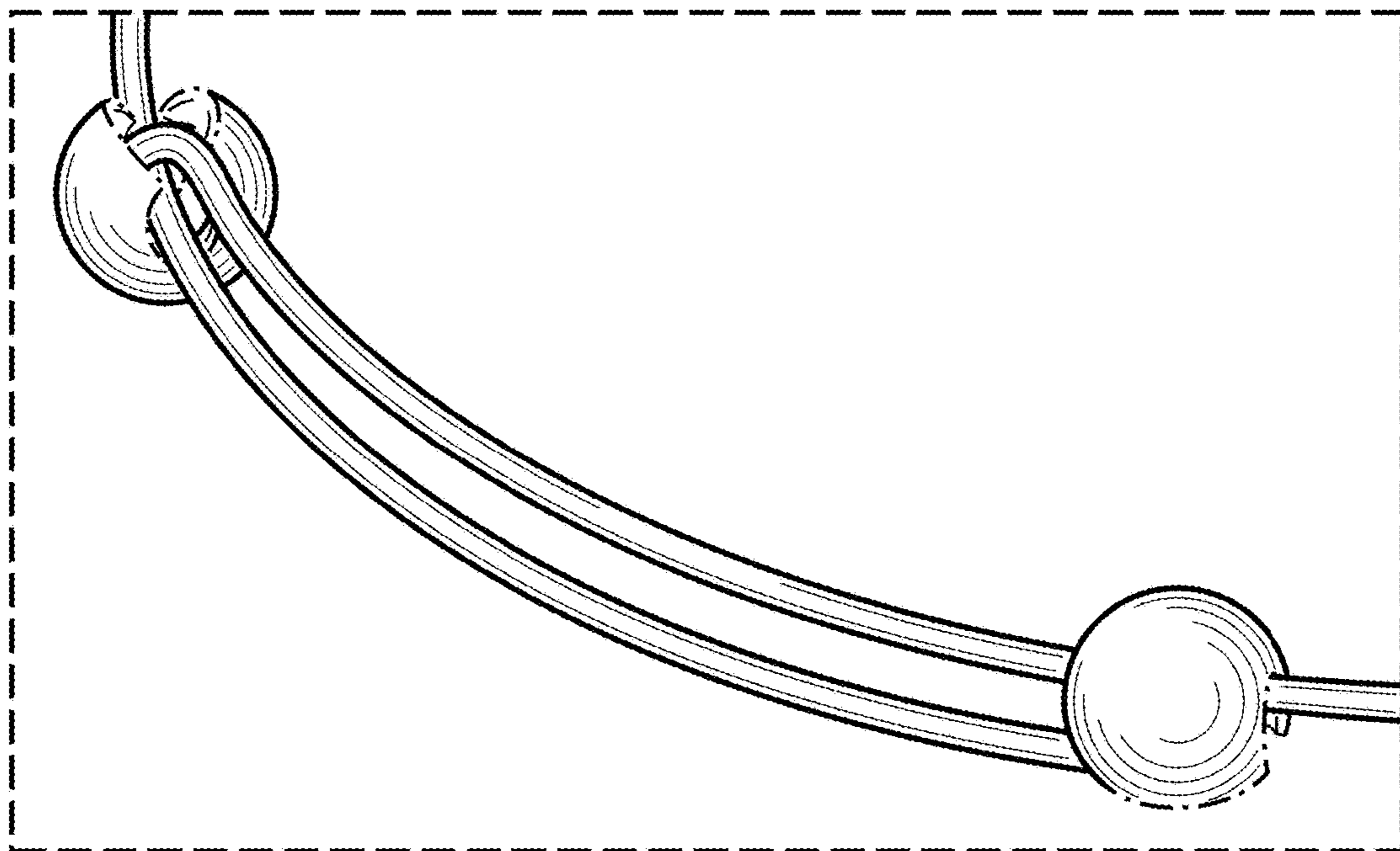


FIG. 21

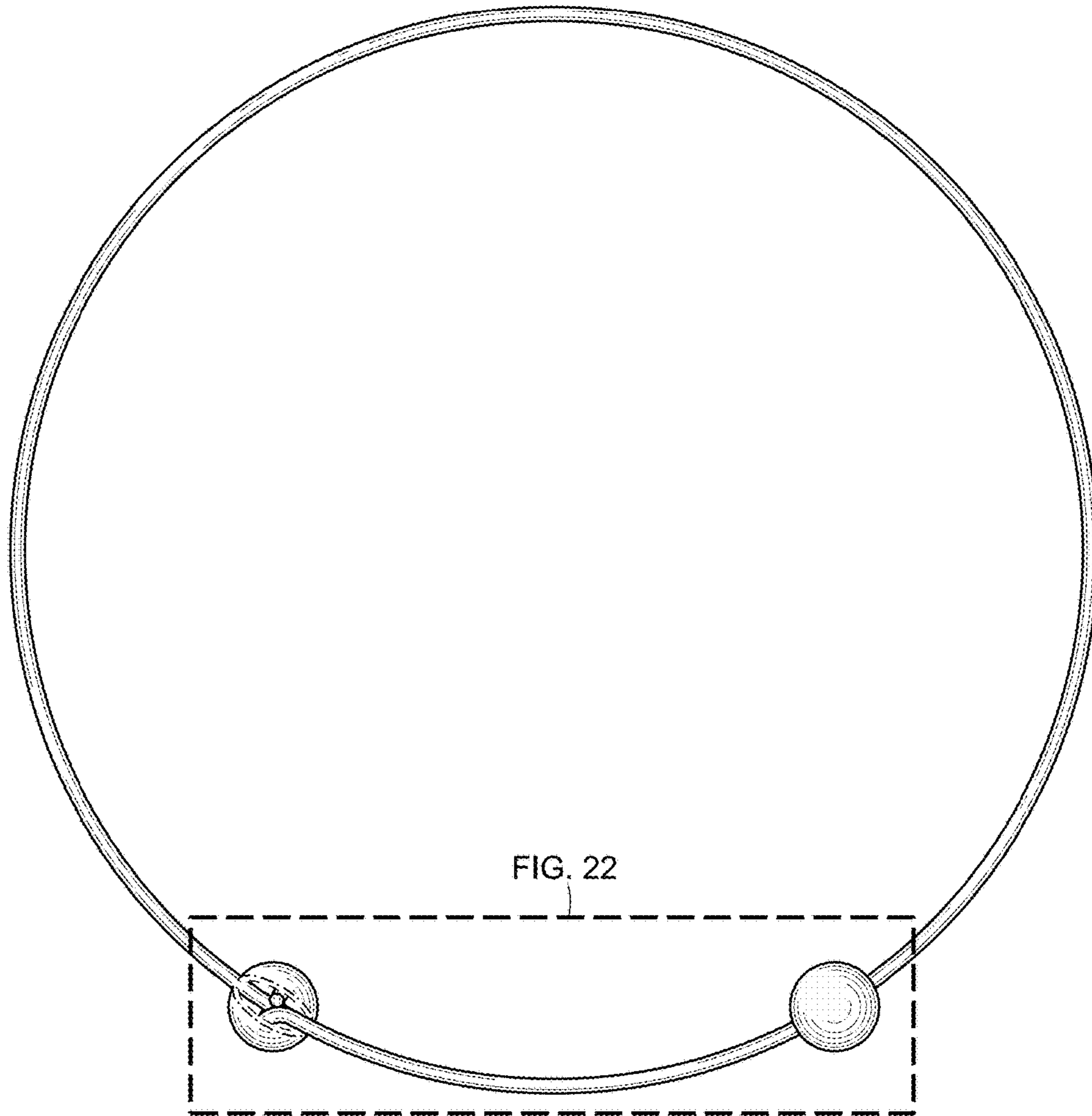


FIG. 22



FIG. 23

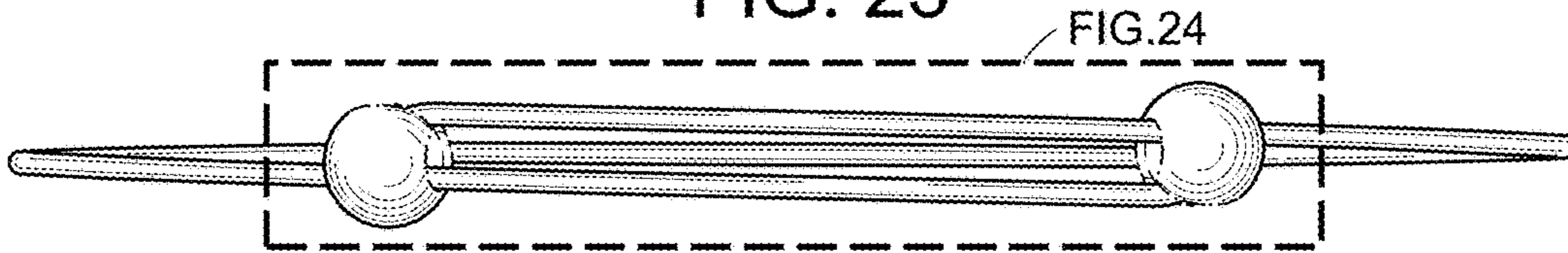


FIG. 24

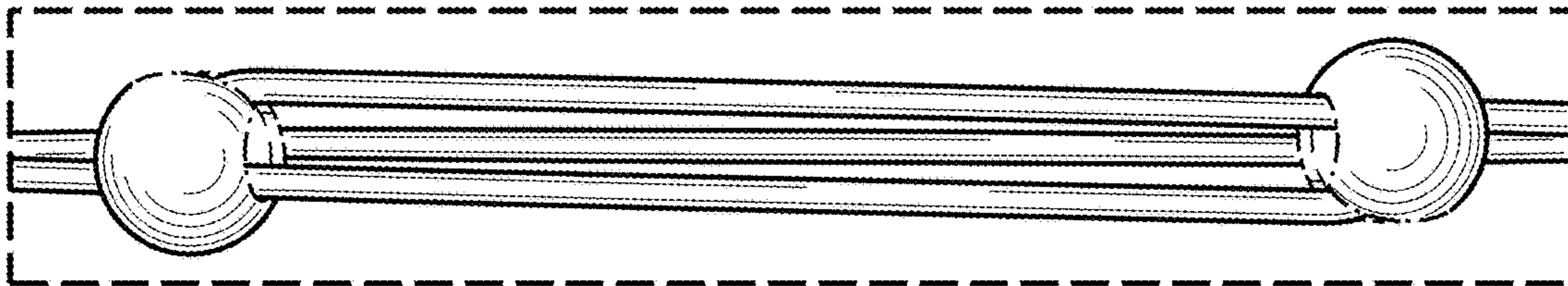


FIG. 25

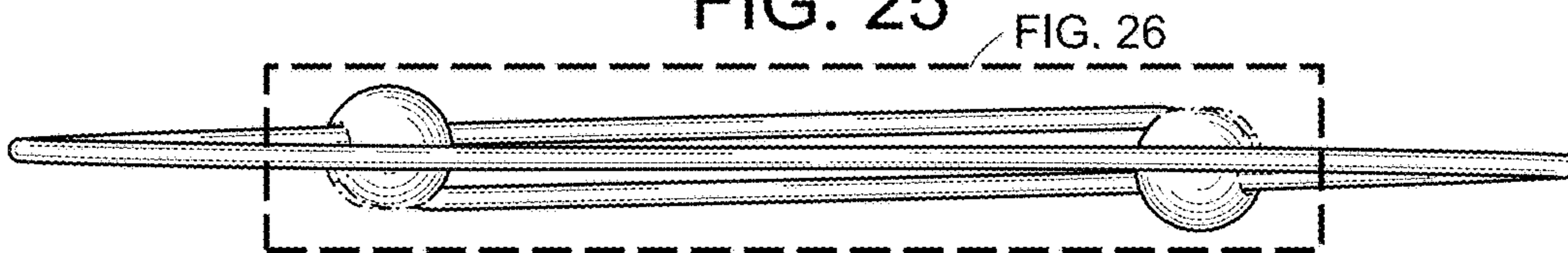
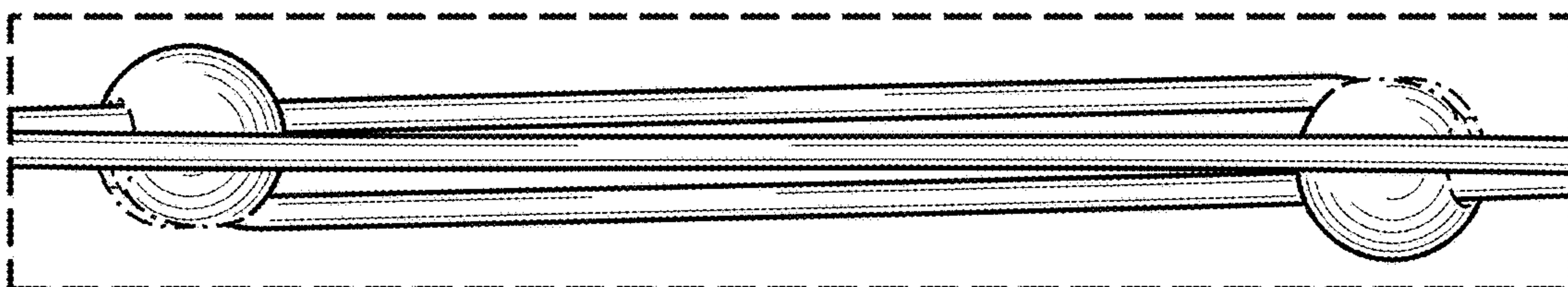


FIG. 26



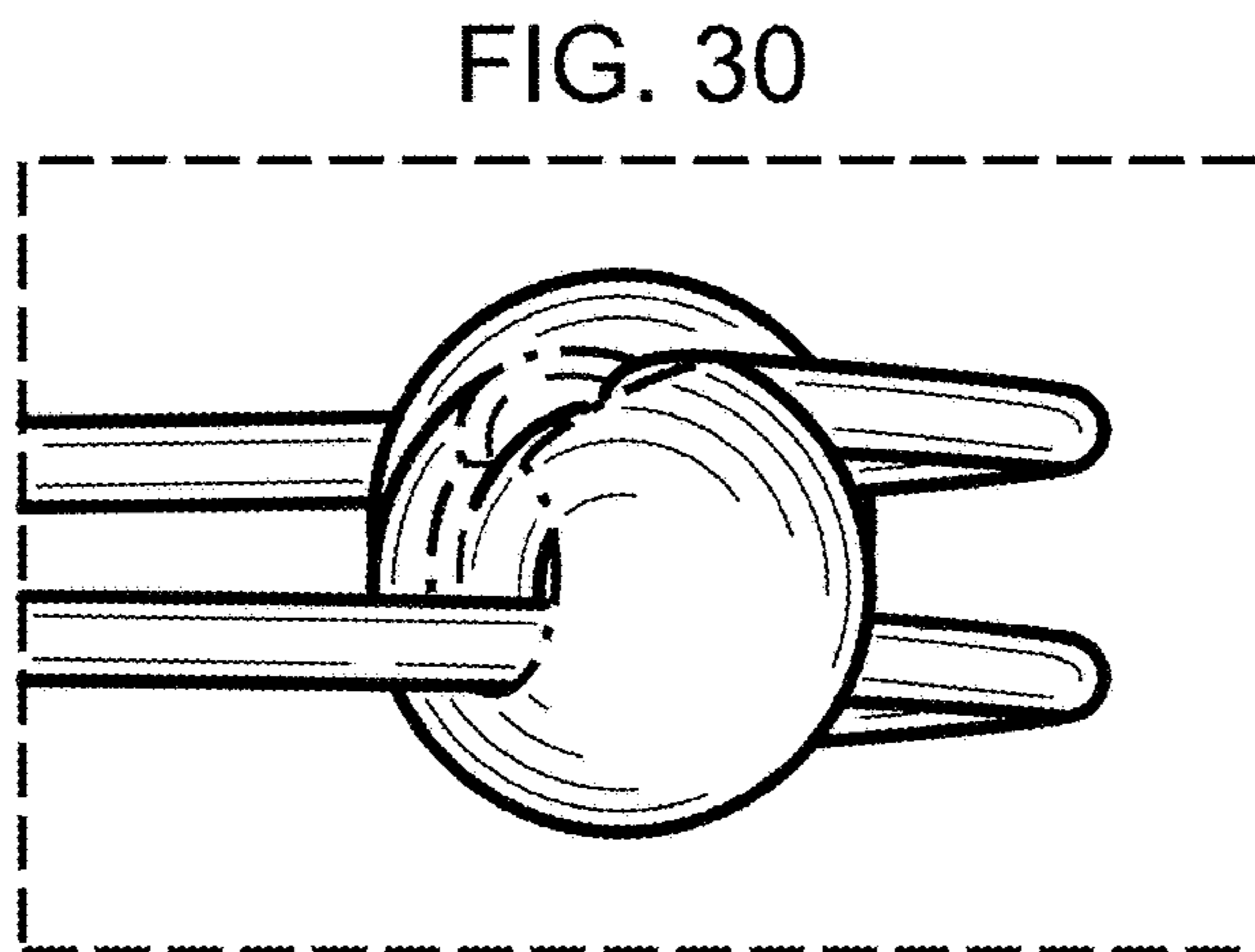
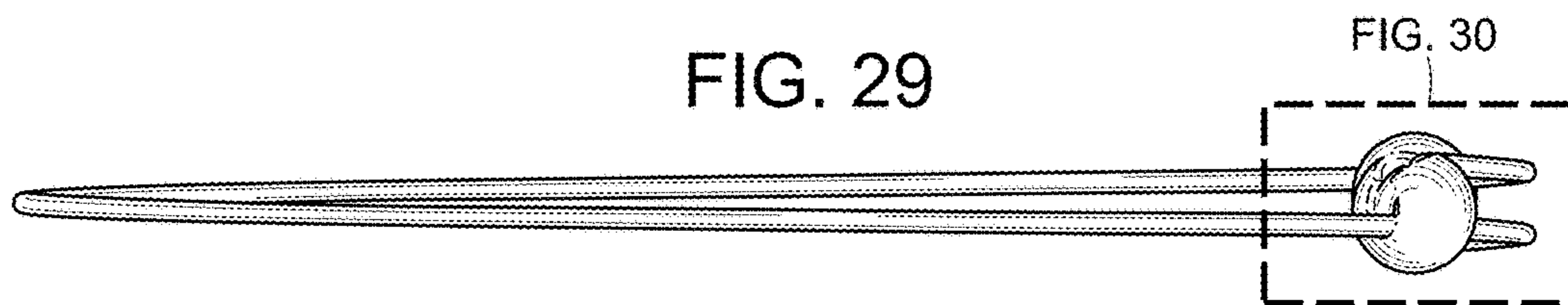
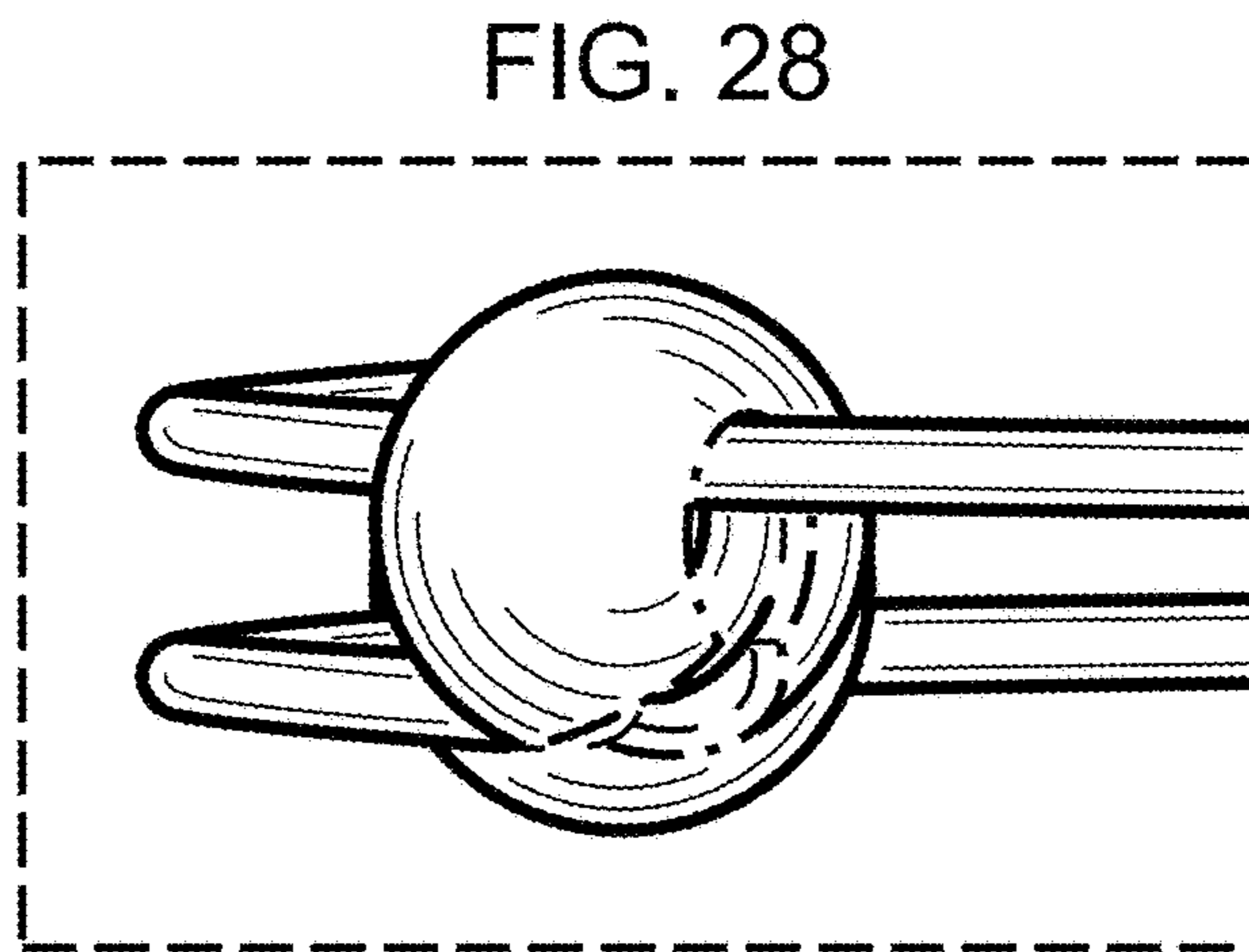
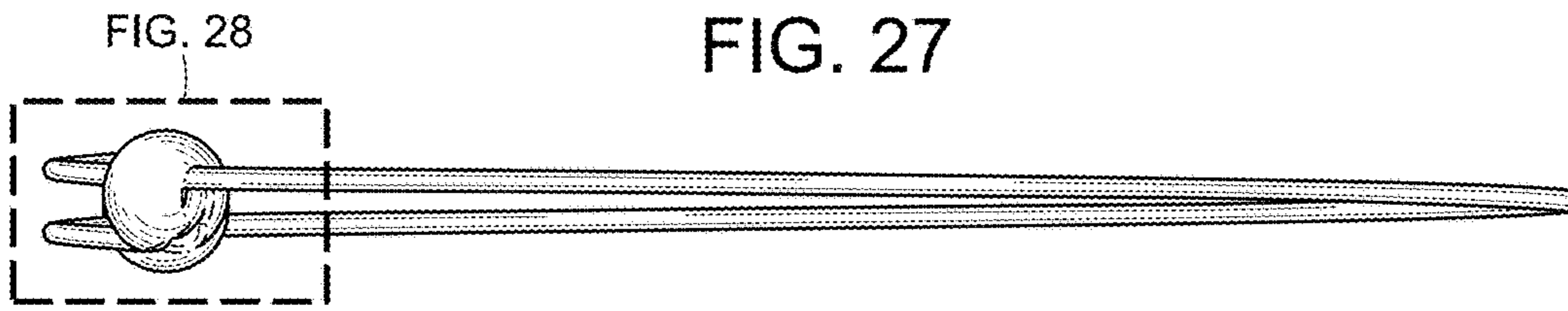


FIG. 31

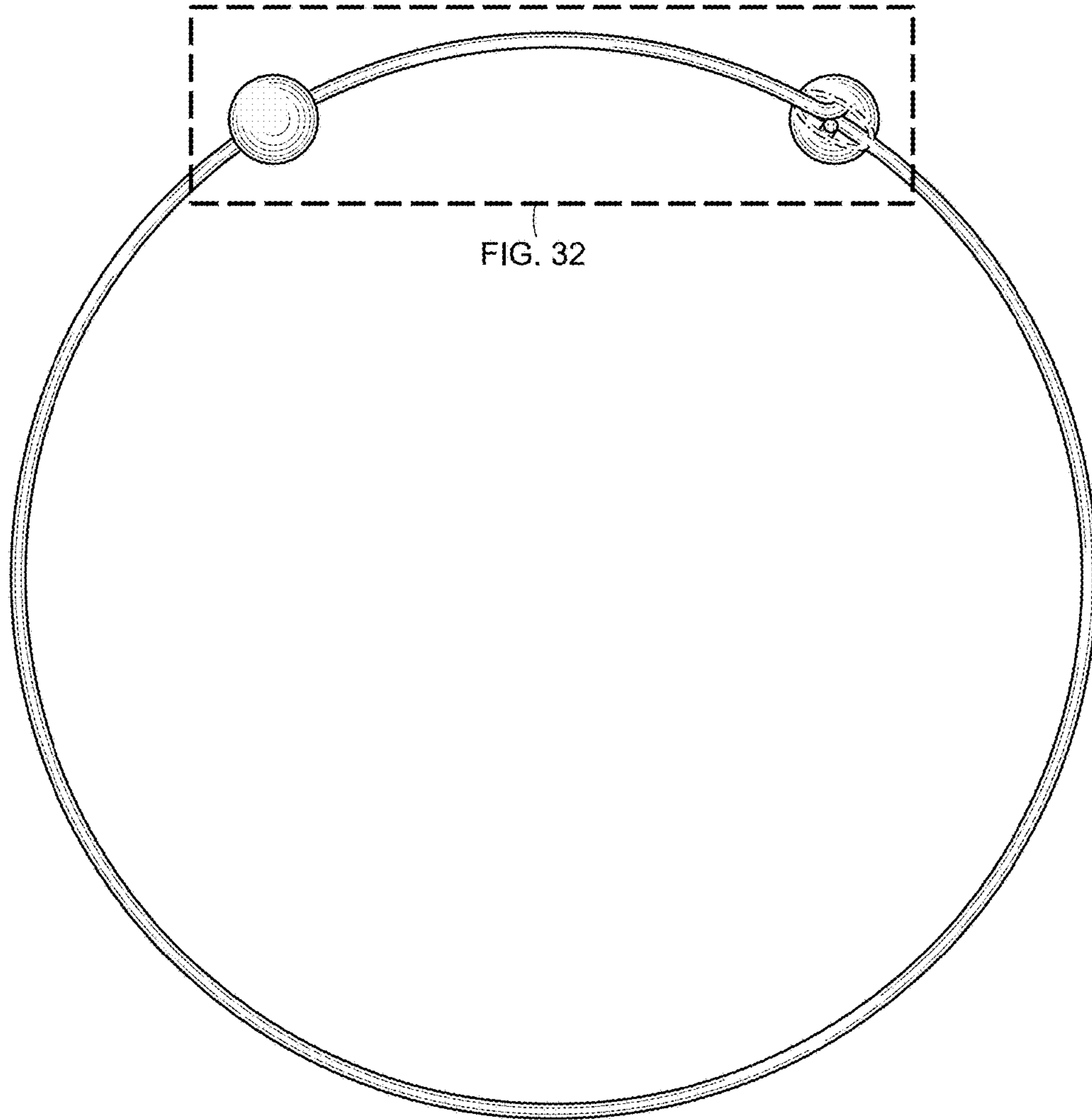


FIG. 32

