



US00D796368S

(12) **United States Design Patent** (10) **Patent No.:** **US D796,368 S**
Lowe et al. (45) **Date of Patent:** **** Sep. 5, 2017**

(54) **FITNESS BAND SPINE**

- (71) Applicant: **Fitbit, Inc.**, San Francisco, CA (US)
- (72) Inventors: **Timothy Scott Lowe**, Newark, CA (US); **Gad Amit**, San Mateo, CA (US); **Daniel Joseph Clifton**, San Francisco, CA (US); **Erik Keith Askin**, San Francisco, CA (US); **Susan Elizabeth McKinney**, San Francisco, CA (US); **Jessica Sheung-yan Ng**, San Francisco, CA (US); **Simon Andrew Quay**, Portland, OR (US); **Parker Allen Drennan**, San Jose, CA (US)
- (73) Assignee: **Fitbit, Inc.**, San Francisco, CA (US)

(**) Term: **15 Years**

(21) Appl. No.: **29/563,195**

(22) Filed: **May 3, 2016**

Related U.S. Application Data

(63) Continuation of application No. 29/553,318, filed on Jan. 29, 2016, and a continuation-in-part of (Continued)

(51) **LOC (10) Cl.** **11-01**

(52) **U.S. Cl.**
USPC **D11/3**

(58) **Field of Classification Search**
USPC D10/30, 31, 32, 38, 39, 46, 70, 128;
D11/1-25; D14/344; D24/167, 186
(Continued)

(56) **References Cited**

U.S. PATENT DOCUMENTS

- D141,753 S 7/1945 Du Bois
 - D272,759 S 2/1984 Koziol
- (Continued)

OTHER PUBLICATIONS

US Notice of Allowance, dated Feb. 4, 2016, issued in U.S. Appl. No. 29/520,607.

(Continued)

Primary Examiner — Cathron Brooks
Assistant Examiner — Richard Kearney
(74) *Attorney, Agent, or Firm* — Weaver Austin Villeneuve & Sampson LLP

(57) **CLAIM**

We claim the ornamental design for a fitness band spine, as shown and described.

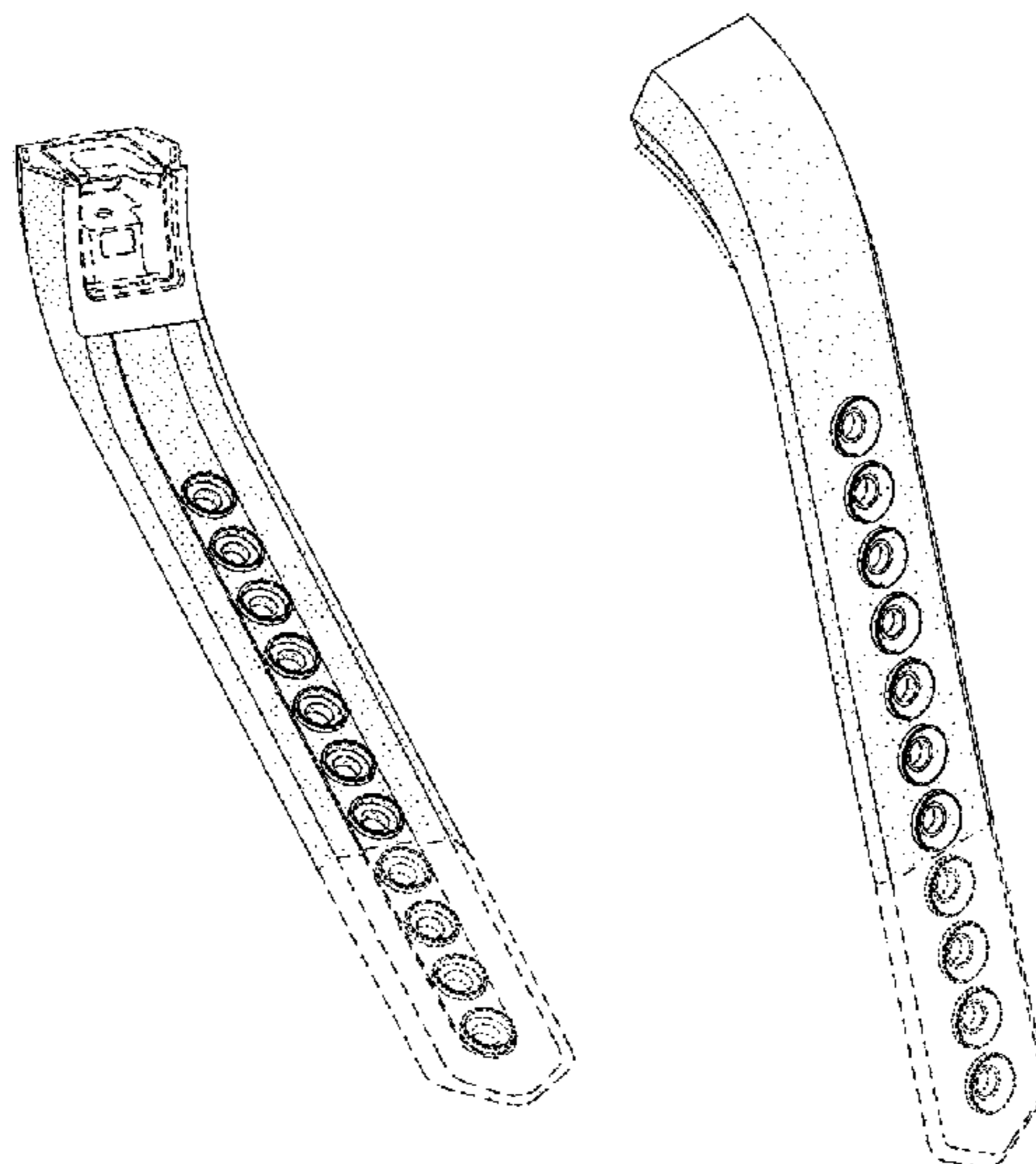
DESCRIPTION

FIG. 1 is a front view of a fitness band spine. FIG. 2 is a rear view of the fitness band spine of FIG. 1. FIG. 3 is a side view of the fitness band spine of FIG. 1; the opposing side view of the fitness band spine is a mirror image of FIG. 3 and is not shown separately. FIG. 4 is a top view of the fitness band spine of FIG. 1. FIG. 5 is a bottom view of the fitness band spine of FIG. 1. FIG. 6 is an off-angle view of the fitness band spine of FIG. 1; and, FIG. 7 is another off-angle view of the fitness band spine of FIG. 1.

A fitness band spine for a band portion of a wearable fitness band system is shown in the accompanying figures. Stipple shading has been provided to illustrate surface contours and does not indicate texture. The broken lines shown in the drawings illustrate portions of the fitness band spine that form no part of the claimed design. Surfaces that do not include stipple shading form no part of the claims design.

The fitness band spine is flexible so that it may be worn on a person's wrist when in use.

1 Claim, 2 Drawing Sheets



Related U.S. Application Data

application No. 29/521,264, filed on Mar. 20, 2015, now Pat. No. Des. 759,516, which is a continuation-in-part of application No. 29/520,607, filed on Mar. 16, 2015, now abandoned.

(58) **Field of Classification Search**

CPC A44C 5/00; A44C 5/12; A44C 5/14; A44C 5/16; A44C 5/18; A44C 5/147; A44C 5/185; A44C 5/2047; A44C 5/2052; A44C 5/0007; A44C 5/003; A44C 5/0015; A44C 5/0023; A44C 5/0053; A44C 5/0061; A44C 5/0069; A44C 5/0076; A44B 11/24; A44B 11/006; G09G 3/38; G06Q 50/24; G06F 1/163; G04B 19/00; G04B 19/34; G04B 21/12; G04B 23/12; G04B 45/0069; G04B 47/04; G04B 37/00; G04B 37/228

See application file for complete search history.

(56) **References Cited**

U.S. PATENT DOCUMENTS

D299,718 S 2/1989 Steer et al.
 D305,422 S 1/1990 Steer et al.
 D315,111 S 3/1991 Rogalski
 D323,787 S 2/1992 Moorman
 D331,020 S 11/1992 Ishii et al.
 D383,073 S * 9/1997 Miller D10/31
 D400,112 S 10/1998 Rider
 D445,041 S 7/2001 Tan et al.
 D449,008 S 10/2001 Sargent
 D455,093 S 4/2002 Fitzgerald
 D471,471 S 3/2003 Fu et al.
 D480,653 S 10/2003 Lo
 D517,441 S 3/2006 Heatherly et al.
 D528,439 S 9/2006 Burton
 D528,928 S 9/2006 Burton
 D535,055 S 1/2007 Been et al.
 D536,265 S 2/2007 Reynoso
 D538,687 S 3/2007 Komulainen
 D545,220 S 6/2007 Leung
 D548,128 S 8/2007 Andren et al.
 D549,602 S 8/2007 Oberrieder et al.
 D550,105 S 9/2007 Oberrieder et al.
 D550,112 S 9/2007 Andren et al.
 D553,512 S 10/2007 Tang
 D556,194 S 11/2007 Rambosek et al.
 D559,723 S 1/2008 Kraus et al.
 D560,520 S 1/2008 Oberrieder et al.
 D564,367 S 3/2008 Molyneux
 D567,227 S 4/2008 Hada
 D567,676 S 4/2008 Tang
 D569,282 S 5/2008 Daniel
 D573,905 S 7/2008 Poirier
 D581,826 S 12/2008 Molyneux
 D584,974 S 1/2009 Fukuda et al.
 D586,673 S 2/2009 Kobayakawa
 D586,674 S 2/2009 Solarewicz
 D589,375 S 3/2009 Tang
 D595,163 S 6/2009 Kim et al.
 D595,858 S 7/2009 Kazel
 D602,386 S 10/2009 Ueda et al.
 D610,476 S 2/2010 Daniel
 D635,873 S 4/2011 Ogihara et al.
 D637,094 S 5/2011 Cobbett et al.
 D637,506 S 5/2011 Toyoshima et al.
 D640,367 S * 6/2011 Lin D24/107
 D645,360 S 9/2011 Kiser et al.
 D656,856 S 4/2012 Kleinberg
 D664,880 S 8/2012 Cobbett et al.
 D664,881 S 8/2012 Cobbett et al.
 D664,882 S 8/2012 Cobbett et al.
 D667,126 S 9/2012 Cho et al.

D669,382 S 10/2012 Alvarez et al.
 D669,383 S 10/2012 Cobbett et al.
 D669,384 S 10/2012 Alvarez et al.
 D670,583 S 11/2012 Shaanan
 D671,858 S 12/2012 Cobbett et al.
 D672,667 S 12/2012 Mix
 D677,190 S 3/2013 Cobbett et al.
 D680,020 S 4/2013 Cobbett et al.
 D682,718 S 5/2013 Azuma
 D684,082 S 6/2013 Alvarez et al.
 D684,497 S 6/2013 Cobbett et al.
 D693,251 S 11/2013 Anderssen et al.
 D693,708 S 11/2013 Brigham
 D700,083 S 2/2014 Brigham
 D707,583 S 6/2014 Kalemoss
 D715,666 S 10/2014 Park et al.
 D718,647 S 12/2014 Roush et al.
 D720,248 S * 12/2014 Law D11/3
 D720,249 S 12/2014 Park et al.
 D720,635 S 1/2015 Park et al.
 D724,453 S 3/2015 Ogihara et al.
 D725,510 S 3/2015 Henning
 D725,528 S 3/2015 Parmigiani
 D726,062 S 4/2015 Silverstein
 D727,183 S 4/2015 Park et al.
 D727,759 S 4/2015 Martinez et al.
 D729,453 S 5/2015 Provost et al.
 D729,646 S 5/2015 Phillips et al.
 D729,648 S 5/2015 Phillips et al.
 D729,649 S 5/2015 Phillips et al.
 D731,898 S 6/2015 Squires
 D735,587 S * 8/2015 Squires D10/32
 D738,372 S 9/2015 Song
 9,122,250 B2 9/2015 Hoffman et al.
 D740,807 S 10/2015 Daniel
 D742,373 S 11/2015 Ji et al.
 9,189,023 B2 11/2015 Lim
 D744,869 S 12/2015 Dallmeyer et al.
 D745,513 S 12/2015 Jung et al.
 D745,868 S 12/2015 Choi et al.
 D746,477 S * 12/2015 Cha D24/186
 D747,714 S 1/2016 Erbeus
 D749,002 S 2/2016 Park et al.
 D751,069 S * 3/2016 Choi D10/32
 D751,452 S 3/2016 Henning
 D752,046 S * 3/2016 Jun D14/344
 D757,721 S * 5/2016 Dallmeyer D14/344
 D759,516 S 6/2016 Ling et al.
 D759,523 S 6/2016 Ling et al.
 D762,210 S * 7/2016 Lee D14/344
 D766,758 S * 9/2016 Park D10/70
 D770,321 S * 11/2016 Murphy D11/3
 D772,869 S * 11/2016 Iizuka D10/39
 2010/0162472 A1 7/2010 Abraham
 2010/0311544 A1 12/2010 Robinette et al.
 2014/0180019 A1 6/2014 Martinez et al.
 2016/0072554 A1 * 3/2016 Sharma H04B 5/0031
 455/41.1

OTHER PUBLICATIONS

US Notice of Allowance, dated Mar. 4, 2016, issued in U.S. Appl. No. 29/521,264.
 US Notice of Allowance, dated Apr. 14, 2016, issued in U.S. Appl. No. 29/524,025.
 US Notice of Allowance, dated Aug. 3, 2016, issued in U.S. Appl. No. 29/524,028.
 Chinese Office Action [Description in English] dated Feb. 14, 2016 issued in CN201530255881.7.
 Chinese Office Action [Description in English] dated Feb. 14, 2016 issued in CN201530256087.4.
 Chinese Office Action [Description in English] dated Feb. 14, 2016 issued in CN201530255977.3.
 Chinese Office Action [Description in English] dated Jul. 30, 2015 issued in CN201530134185.0.

(56)

References Cited

OTHER PUBLICATIONS

Chinese Office Action [Description in English] dated Dec. 18, 2015
issued in CN201530134185.0.

* cited by examiner

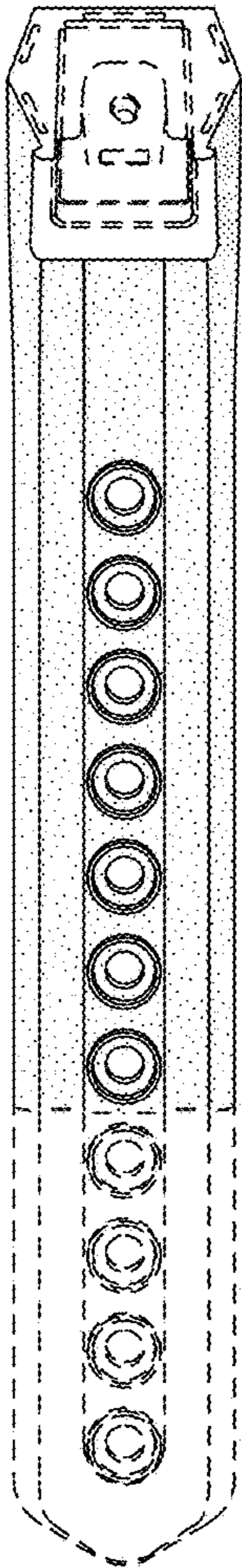


Figure 1

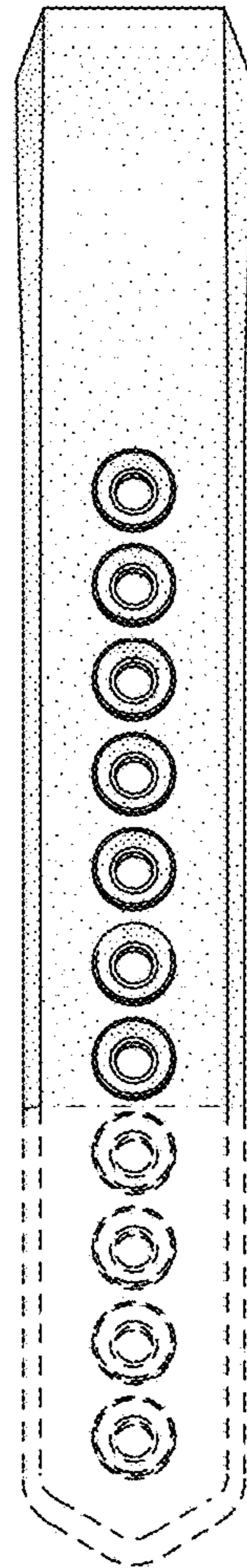


Figure 2

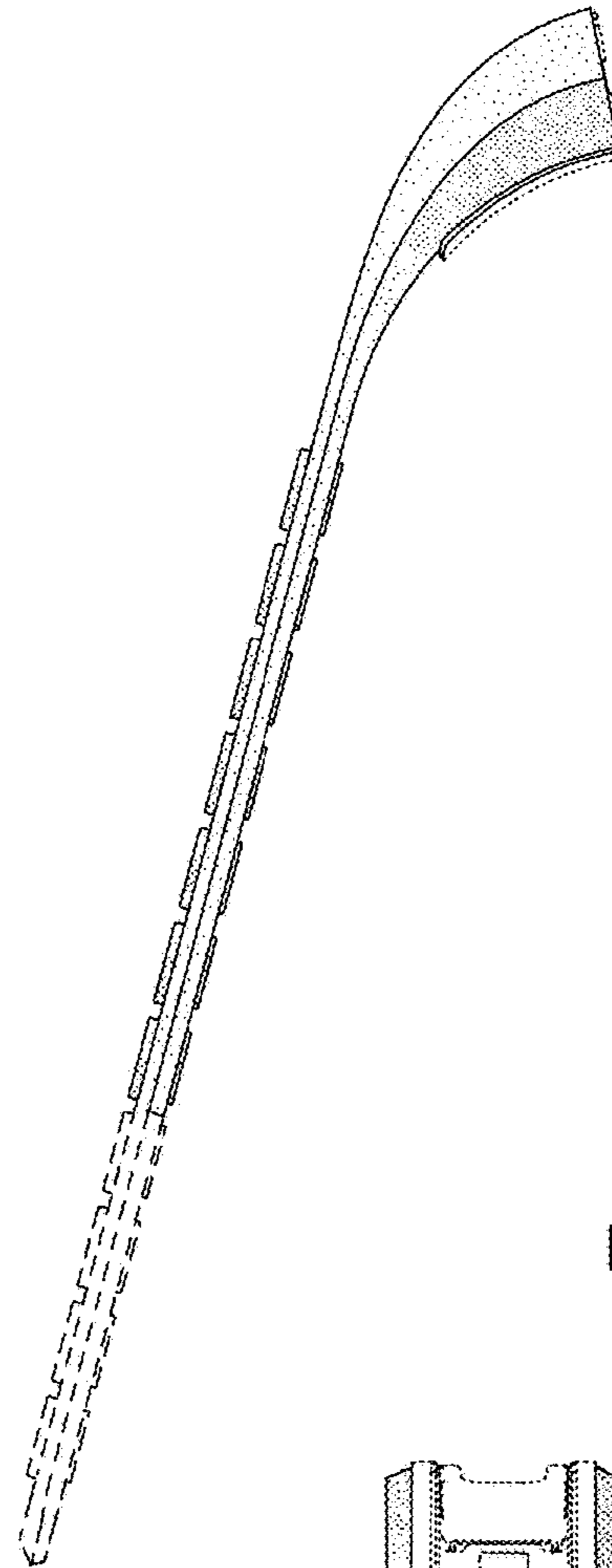


Figure 3

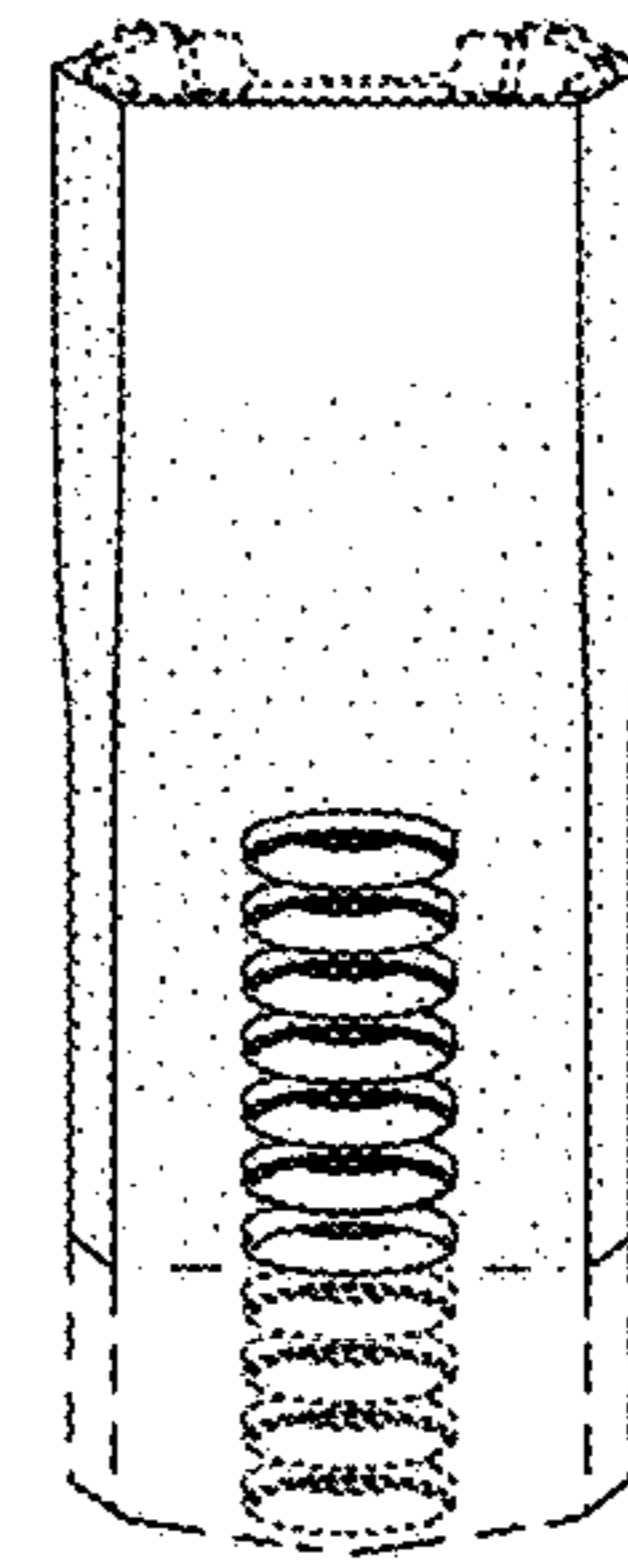


Figure 4

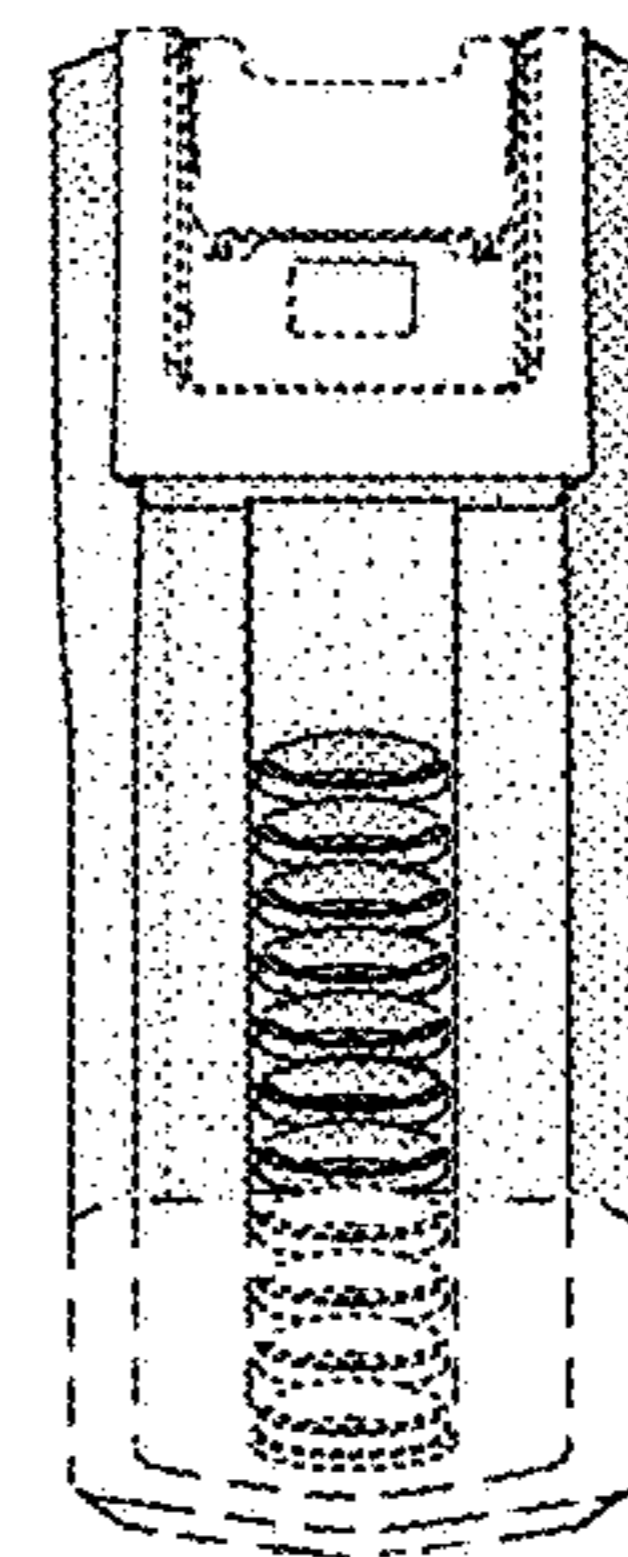


Figure 5

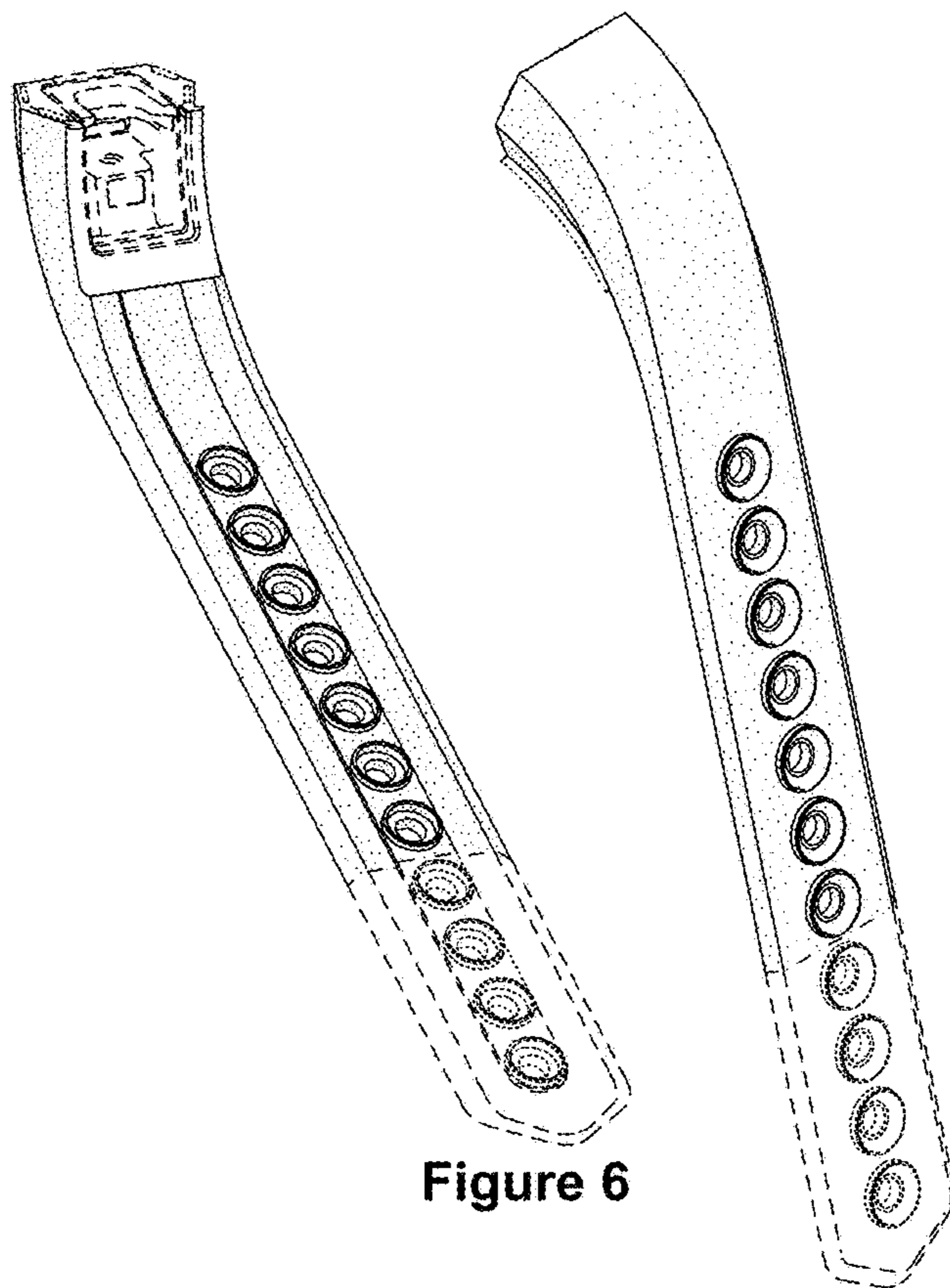


Figure 6

Figure 7