



US00D796367S

(12) **United States Design Patent** (10) **Patent No.:** **US D796,367 S**
Neufeglise et al. (45) **Date of Patent:** **** Sep. 5, 2017**

(54) **ACOUSTIC BACKUP ALARM CAPABLE OF DUAL TECHNOLOGY (ACOUSTICAL AND OPTICAL) OPERATION**

(71) Applicant: **STAR HEADLIGHT & LANTERN CO., INC.**, Avon, NY (US)

(72) Inventors: **Steven W. Neufeglise**, Rochester, NY (US); **James J. Cronmiller**, West Henrietta, NY (US)

(73) Assignee: **STAR HEADLIGHT & LANTERN CO., INC.**, Avon, NY (US)

(**) Term: **14 Years**

(21) Appl. No.: **29/518,885**

(22) Filed: **Feb. 27, 2015**

(51) **LOC (10) Cl.** **10-05**

(52) **U.S. Cl.**
USPC **D10/120**

(58) **Field of Classification Search**
USPC D10/120, 116.1, 109.1, 109.2
CPC G08B 7/06; H04R 1/345
See application file for complete search history.

(56) **References Cited**

U.S. PATENT DOCUMENTS

4,603,317 A	7/1986	Gailbreath et al.
4,689,609 A	8/1987	Ko et al.
4,790,020 A	12/1988	Lin
4,847,590 A	7/1989	Gosswiller
4,893,343 A	1/1990	Bader
4,963,855 A	10/1990	Kojima
4,975,965 A	12/1990	Adamson
4,994,800 A	2/1991	Milliken
D382,221 S	8/1997	Chen
D397,635 S	9/1998	Chu
5,804,774 A	9/1998	Ford et al.
5,970,158 A	10/1999	Beltran

6,127,918 A	10/2000	Lin	
6,166,623 A	12/2000	Coward	
D453,306 S	2/2002	Bekasi	
6,516,076 B1	2/2003	Marlin	
D485,201 S	1/2004	Corrigan	
D512,336 S	12/2005	Flick	
D513,200 S	12/2005	Lai	
6,977,584 B2	12/2005	Milliken	
D514,010 S	1/2006	Corrigan	
D514,466 S	2/2006	Lai	
D514,973 S	2/2006	Coward	
D516,448 S	3/2006	Lai	
D518,023 S	3/2006	Miller	
7,617,794 B2	11/2009	Chlystek	
D605,966 S *	12/2009	Weil	D10/109.2
D639,688 S	6/2011	Neufeglise et al.	

(Continued)

Primary Examiner — George D Kirschbaum

(74) *Attorney, Agent, or Firm* — Kenneth J. Lukacher; Lukacher Law Group

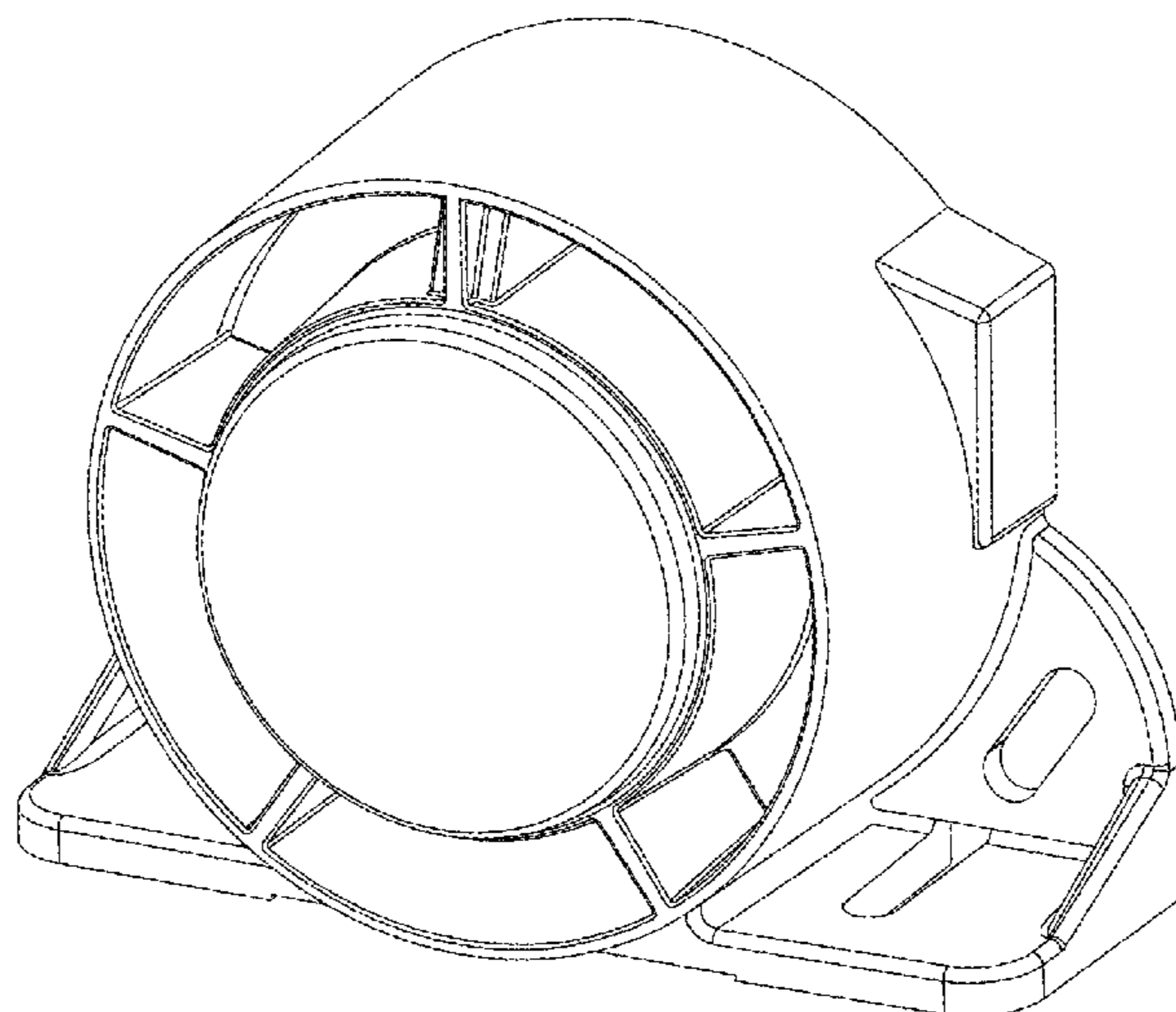
(57) **CLAIM**

The ornamental design for an acoustic backup alarm capable of dual technology (acoustical and optical) operation, as shown and described.

DESCRIPTION

FIG. 1 is a perspective view looking downwardly from the right side thereof of an acoustic backup alarm in accordance with the invention;
FIG. 2 is a perspective view similar to FIG. 1, but looking downwardly from the left of the acoustic backup alarm in accordance with the invention;
FIG. 3 is a front elevational view thereof;
FIG. 4 is an elevational view of the right side thereof;
FIG. 5 is an elevational view from the left side thereof;
FIG. 6 is a top view thereof
FIG. 7 is a bottom view thereof; and,
FIG. 8 is a back elevational view thereof.

1 Claim, 4 Drawing Sheets



(56)

References Cited

U.S. PATENT DOCUMENTS

8,669,852 B2 * 3/2014 Neufeglise G08B 7/06
116/137 R
8,989,419 B2 * 3/2015 Graber H04R 1/345
381/339
D778,756 S * 2/2017 Boisse D10/120
2005/0276432 A1 12/2005 Hsieh

* cited by examiner

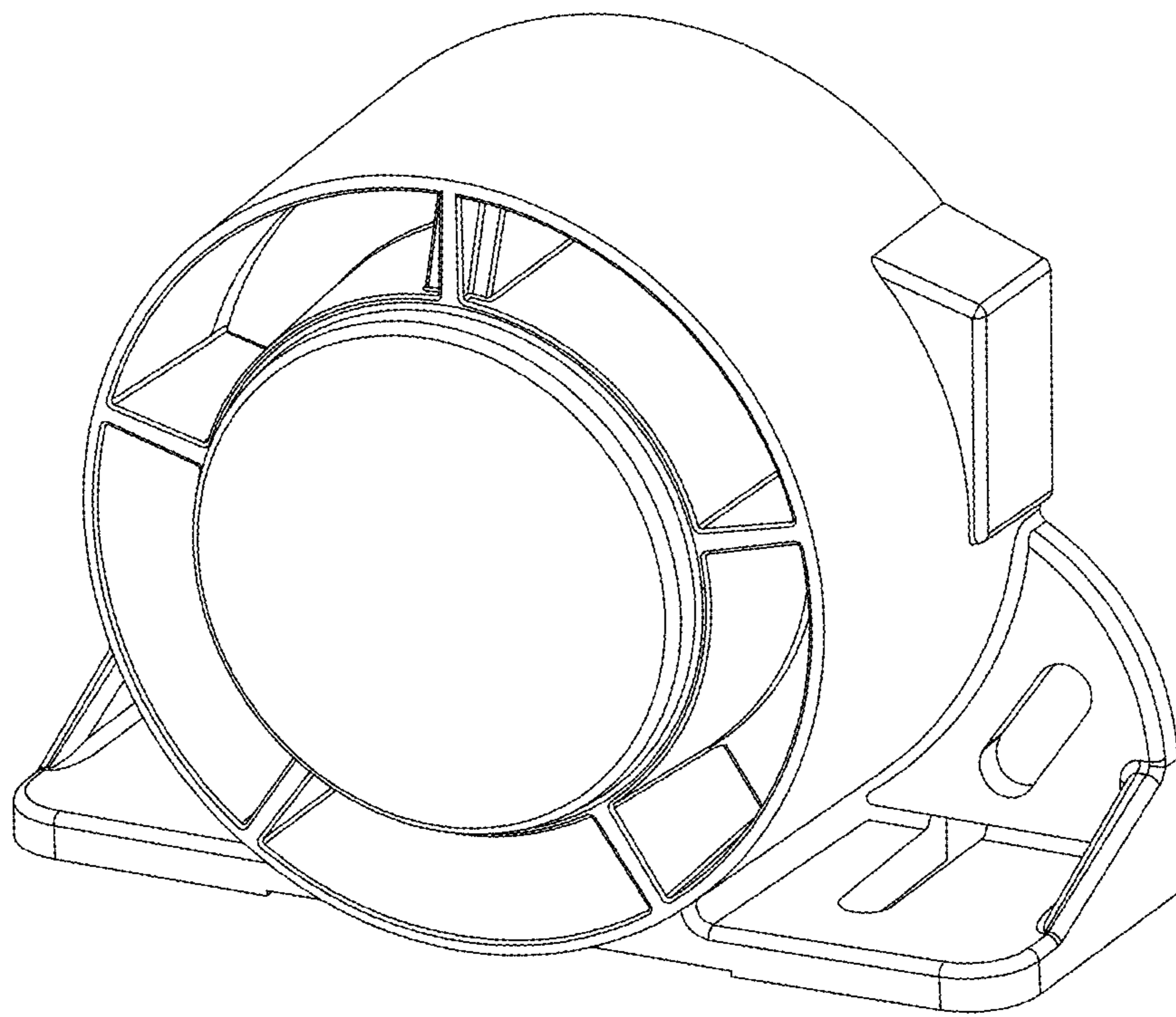


FIG. 1

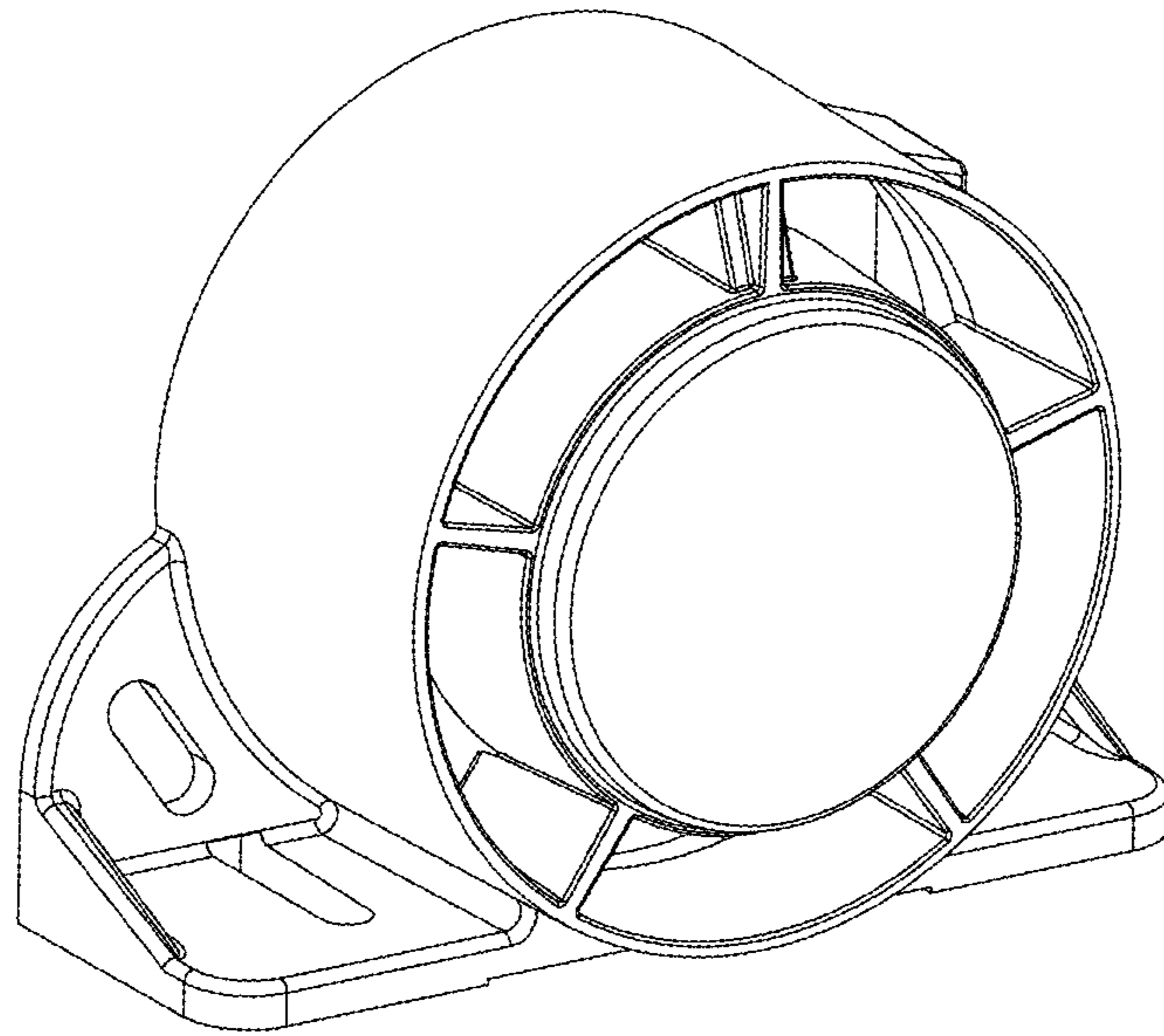


FIG. 2

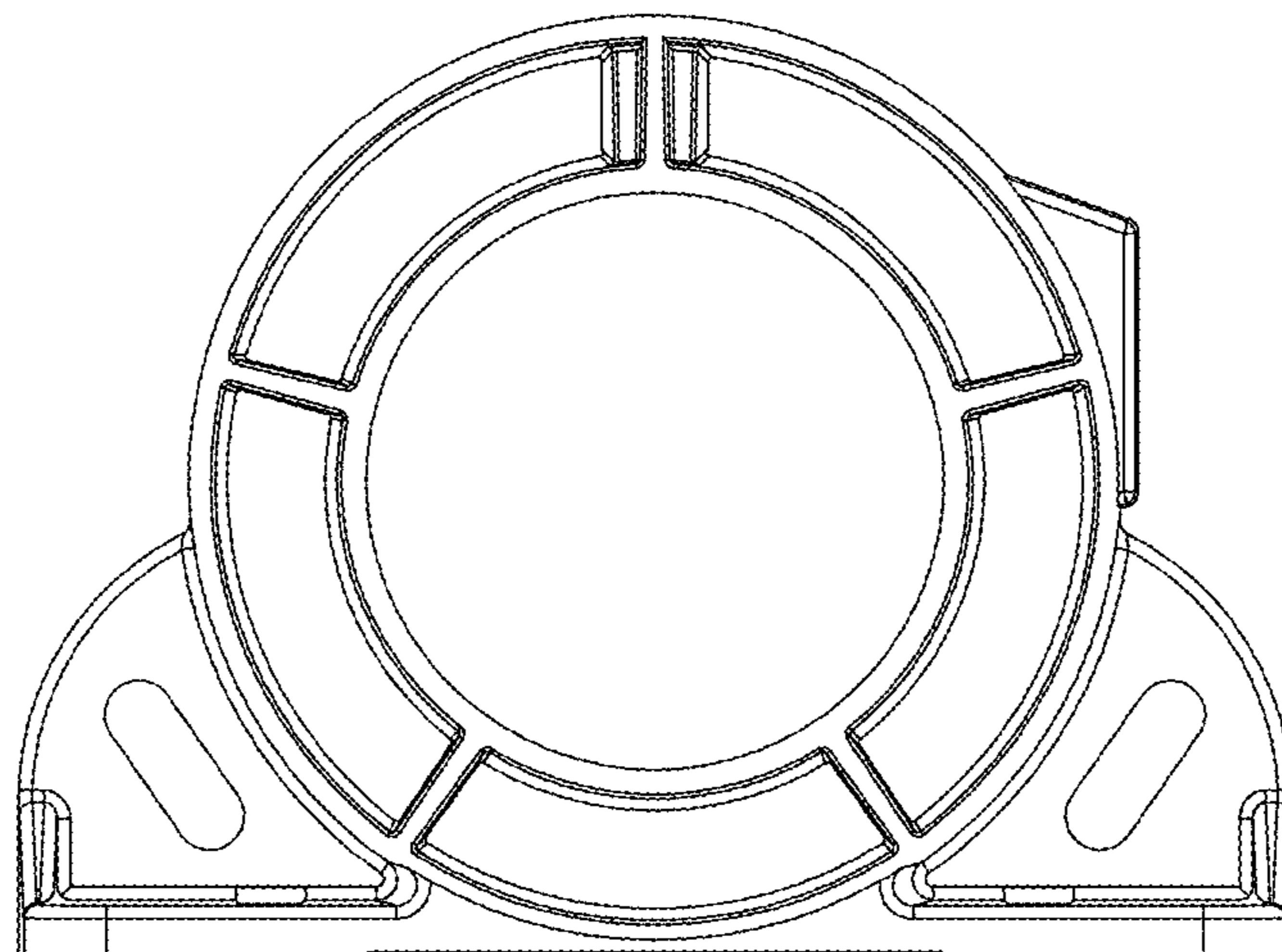


FIG. 3

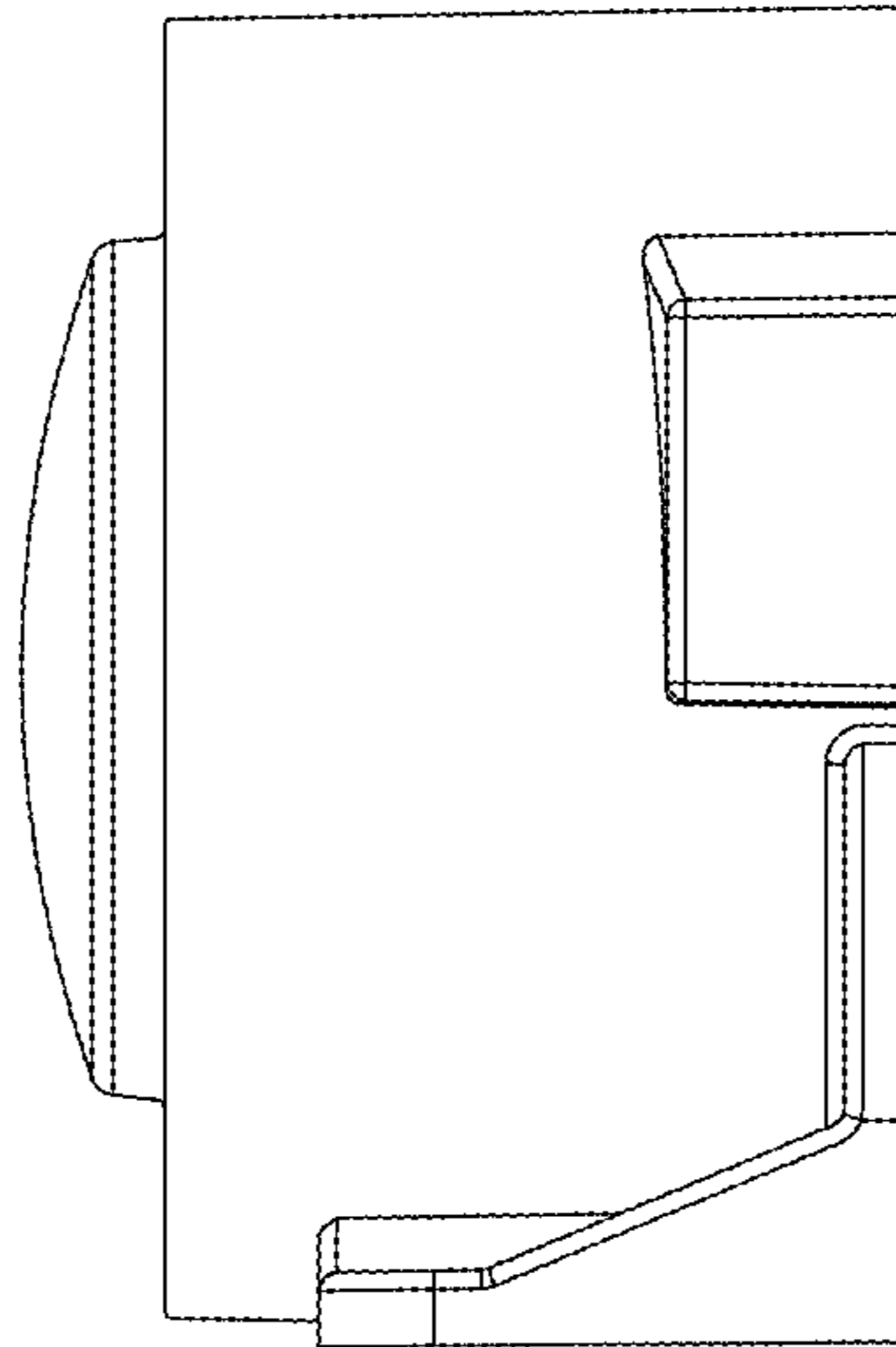


FIG. 4

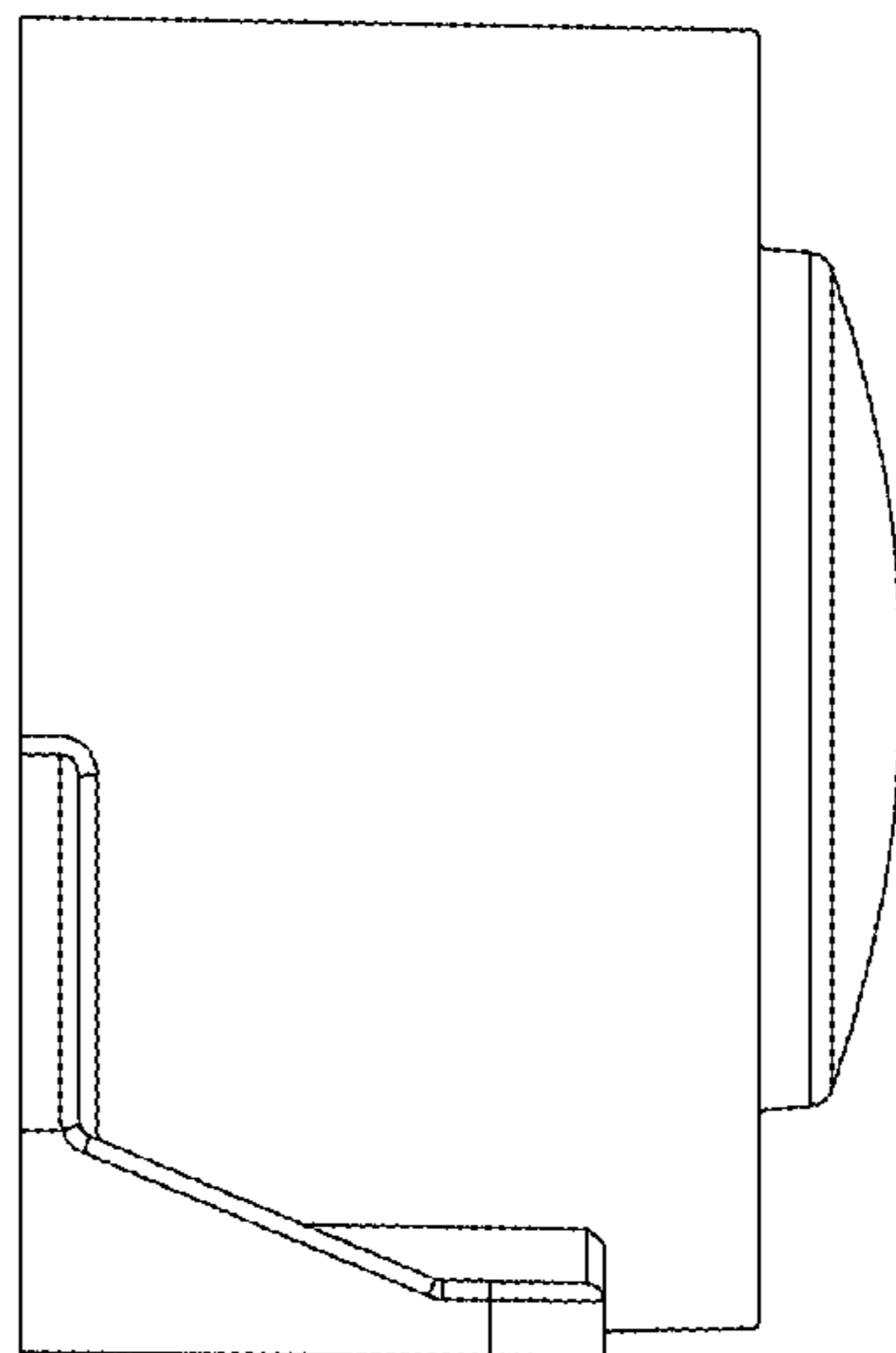


FIG. 5

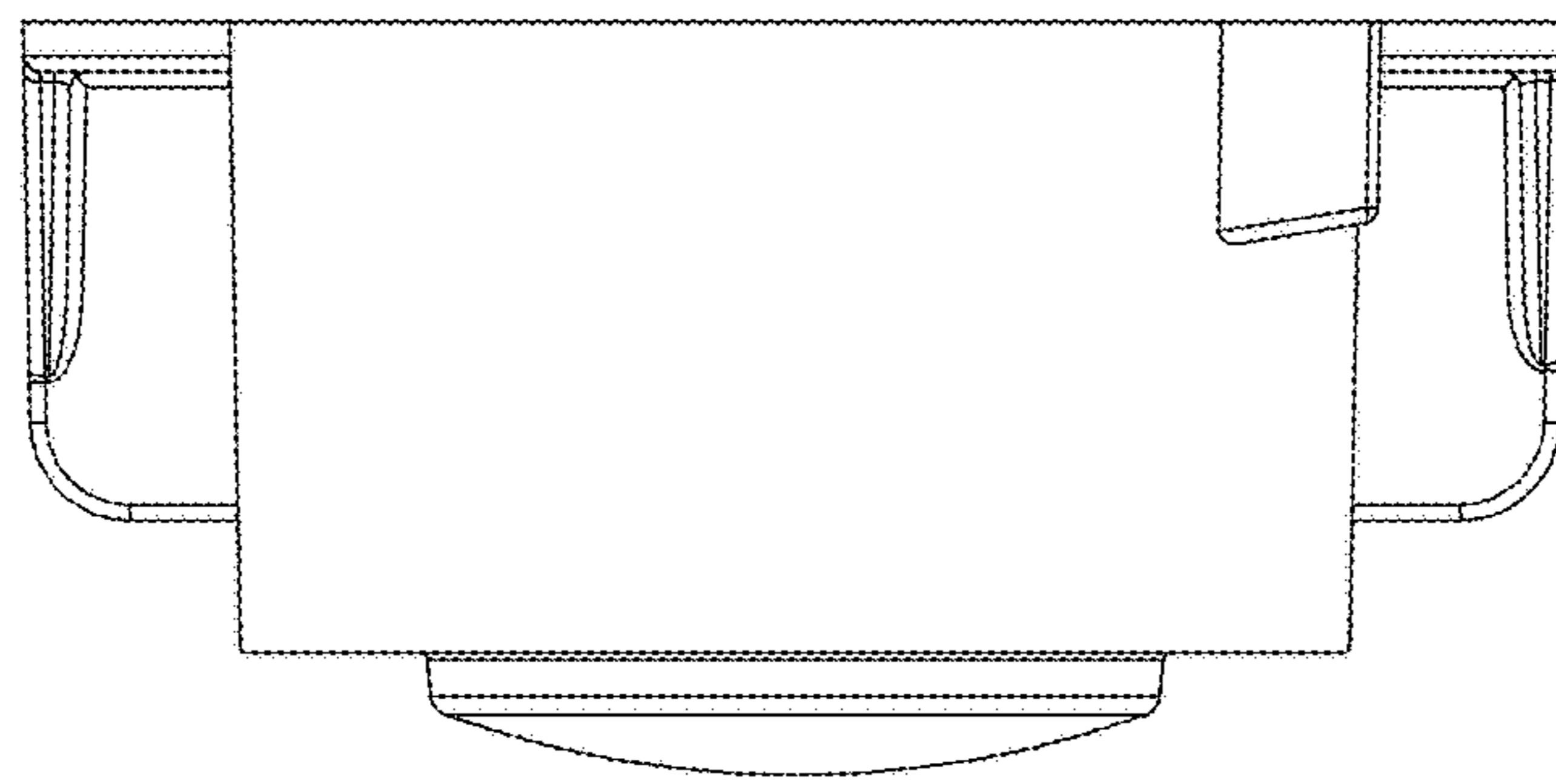


FIG. 6

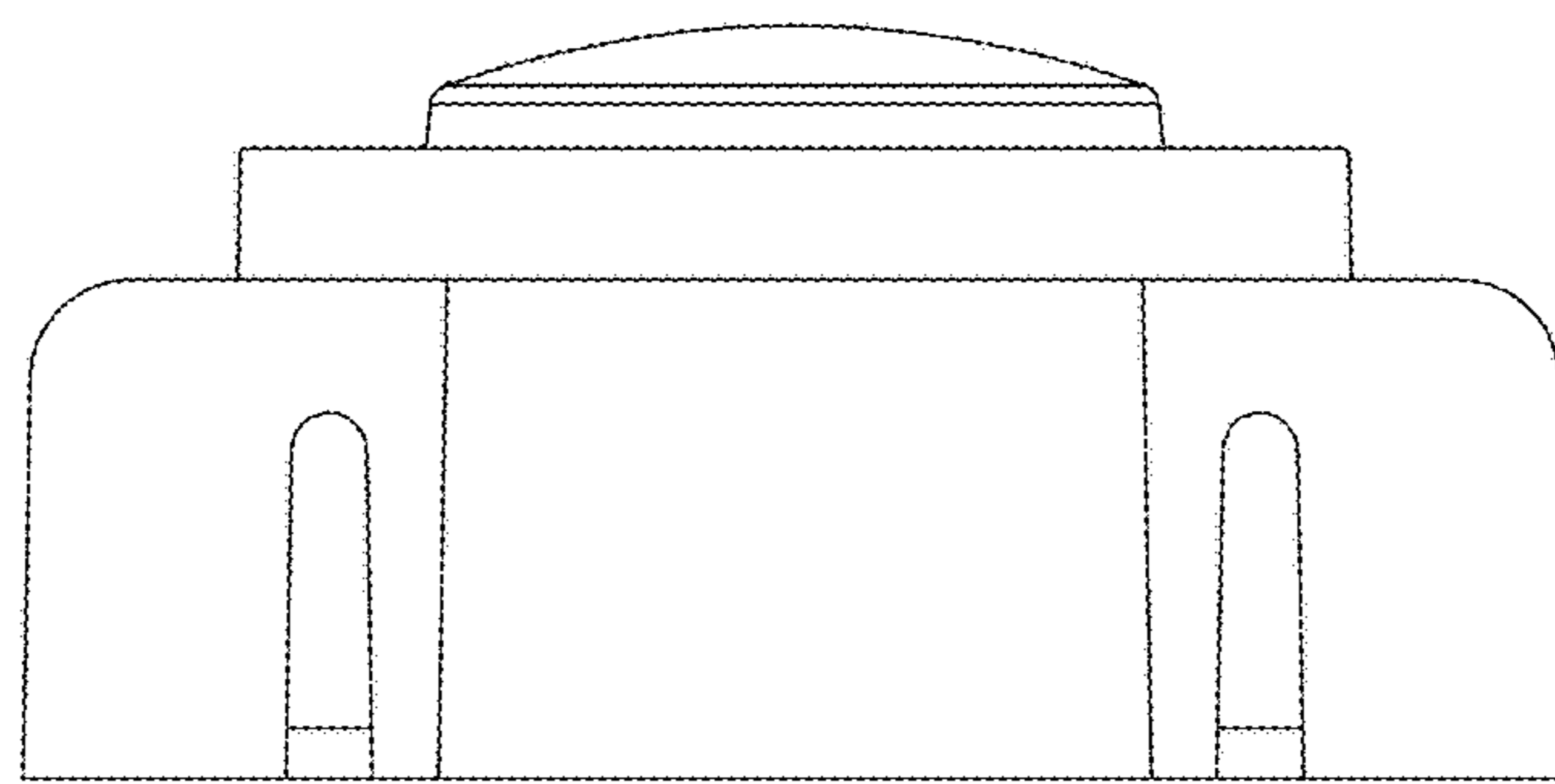


FIG. 7

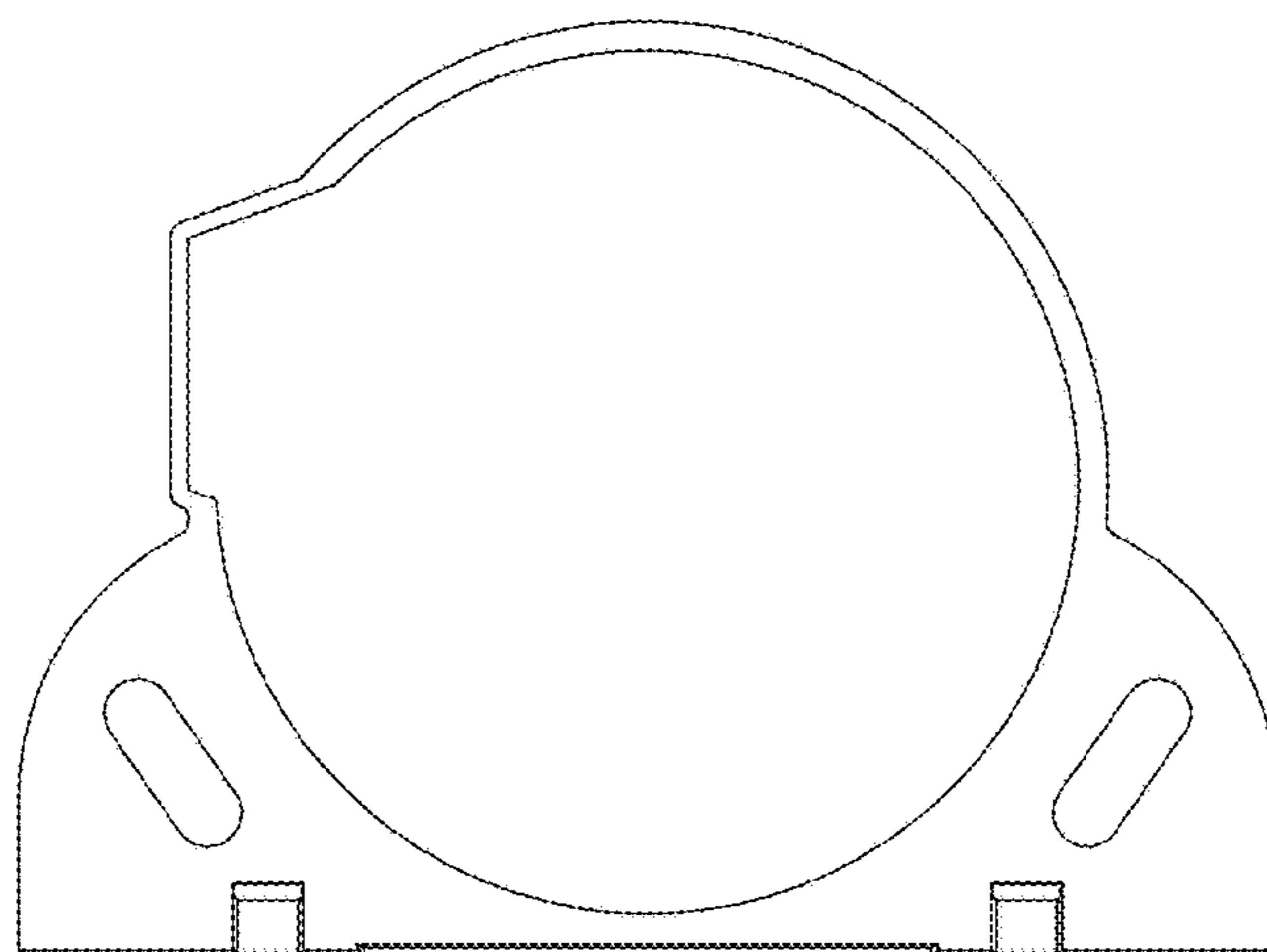


FIG. 8