



US00D796366S

(12) **United States Design Patent** (10) **Patent No.:** **US D796,366 S**
Talamo (45) **Date of Patent:** **** Sep. 5, 2017**

(54) **SAFETY WAND** D652,334 S * 1/2012 Kuwano D10/114.1
D672,894 S 12/2012 Bayat et al.
(71) Applicant: **Safety Wand Corp.**, Buda, TX (US) 8,628,228 B2 * 1/2014 Lundy F21L 4/027
362/109
(72) Inventor: **John Talamo**, Buda, TX (US) 8,702,266 B1 4/2014 Montgomery
D720,247 S * 12/2014 Covelli D10/114.2
D740,149 S * 10/2015 Talamo D10/114.9
(73) Assignee: **Safety Wand Corp.**, Buda, TX (US) 2007/0019398 A1 1/2007 Chen et al.
2013/0264966 A1 * 10/2013 Hazawa G09F 9/33
315/297
(**) Term: **15 Years**

(Continued)

(21) Appl. No.: **29/557,615**

(22) Filed: **Mar. 10, 2016**

(51) **LOC (10) Cl.** **10-05**

(52) **U.S. Cl.**
USPC **D10/114.9**

(58) **Field of Classification Search**
USPC D10/104.1, 109.1, 109.2, 110, 111,
D10/114.1-114.8; D26/28, 35, 36
CPC F21W 2101/02; F21W 2101/10; F21W
2101/14
See application file for complete search history.

(56) **References Cited**

U.S. PATENT DOCUMENTS

2,340,530 A 7/1941 Hefner
2,434,741 A 1/1948 Hefner et al.
3,197,757 A 7/1965 Porta
D274,317 S 6/1984 Nelson
D370,276 S 5/1996 Davis
D389,420 S 1/1998 Campman
D428,107 S * 7/2000 Liberato D22/142
D437,433 S * 2/2001 Kim D26/38
D521,168 S * 5/2006 Waters D10/114.1
7,287,874 B2 10/2007 Irisawa
D562,715 S * 2/2008 Treloar D10/113.3
D574,741 S 8/2008 Gadsden
D612,966 S 3/2010 Jiang
D622,438 S 8/2010 Sasada et al.
7,845,820 B2 12/2010 Bertken
D648,241 S * 11/2011 Kuwano D10/114.1
D648,466 S 11/2011 Hickman
D651,113 S * 12/2011 Kuwano D10/114.1

OTHER PUBLICATIONS

Safety Wand HD With Anti Roll Base. Datasheet [online]. Safety Wand Corp., 2017 [retrieved on Jun. 8, 2017]. Available from Internet: <URL: <http://safetywandcorp.com/products/safety-wand-hd-with-anti-roll-base>>.*

Primary Examiner — George D Kirschbaum
Assistant Examiner — Joseph Kukella
(74) *Attorney, Agent, or Firm* — Terrile, Cannatti, Chambers & Holland, LLP; Robert W. Holland

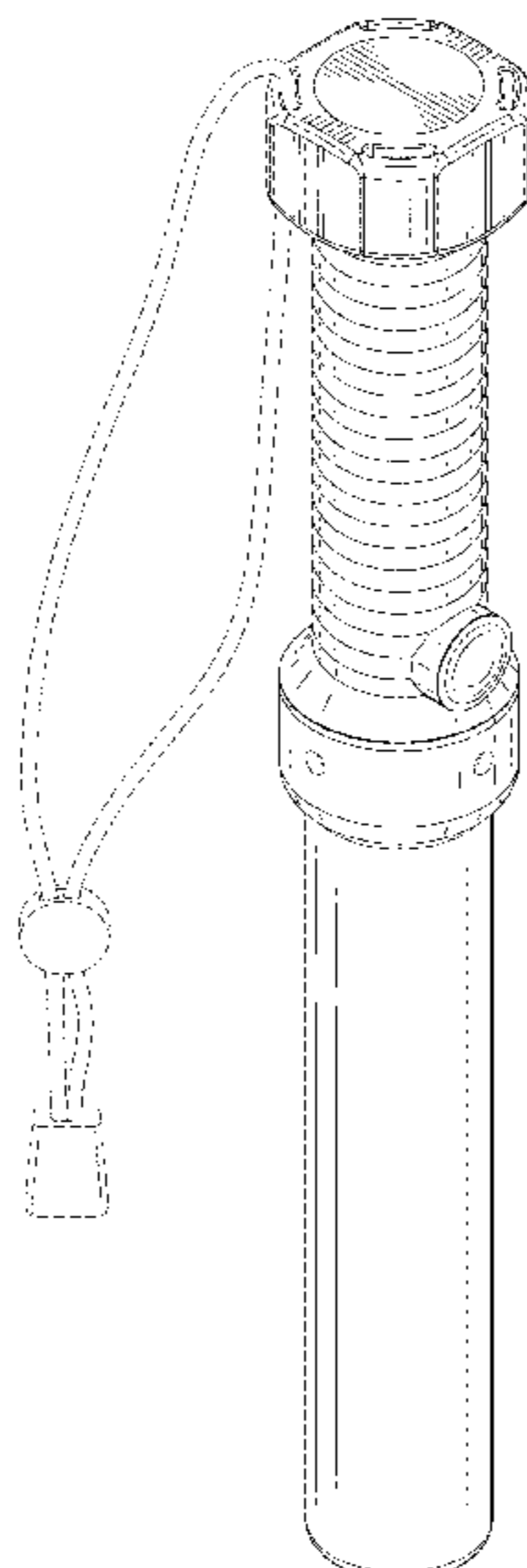
(57) **CLAIM**

I claim the ornamental design for a safety wand, as shown and described.

DESCRIPTION

FIG. 1 is a front upper perspective view of the safety wand comprising the present invention;
FIG. 2 is a front view thereof;
FIG. 3 is a back view thereof;
FIG. 4 is a left side view thereof;
FIG. 5 is a right side view thereof;
FIG. 6 is a top view thereof; and,
FIG. 7 is a bottom view thereof.
Broken lines shown in the drawings illustrate portions of the safety wand, and form no part of the claimed design.

1 Claim, 4 Drawing Sheets



(56)

References Cited

U.S. PATENT DOCUMENTS

2014/0204583 A1* 7/2014 Hung H05B 37/0272
362/249.05
2017/0130911 A1* 5/2017 Li F21K 9/68

* cited by examiner

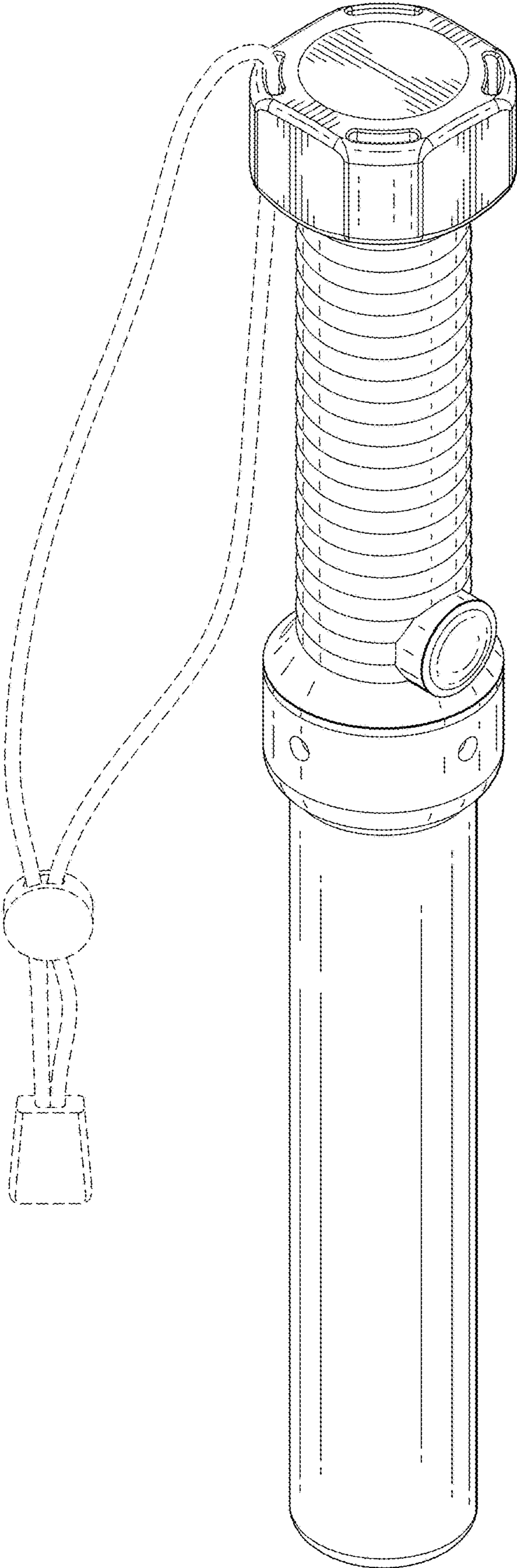


FIG. 1

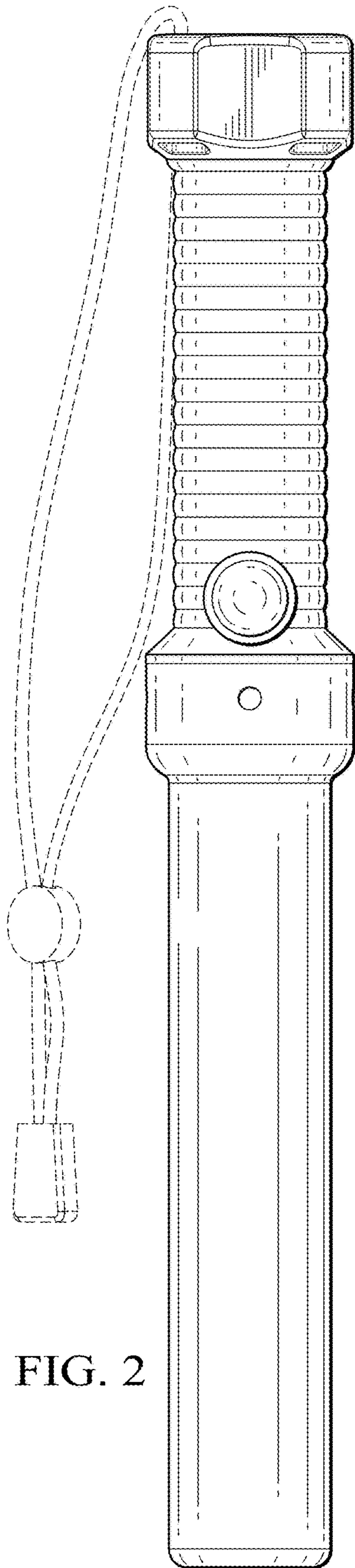


FIG. 2

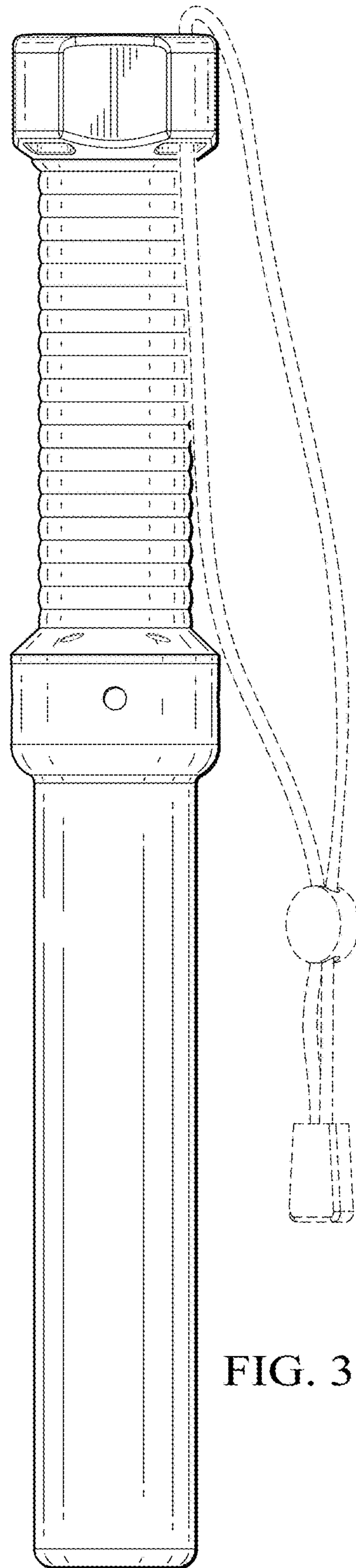
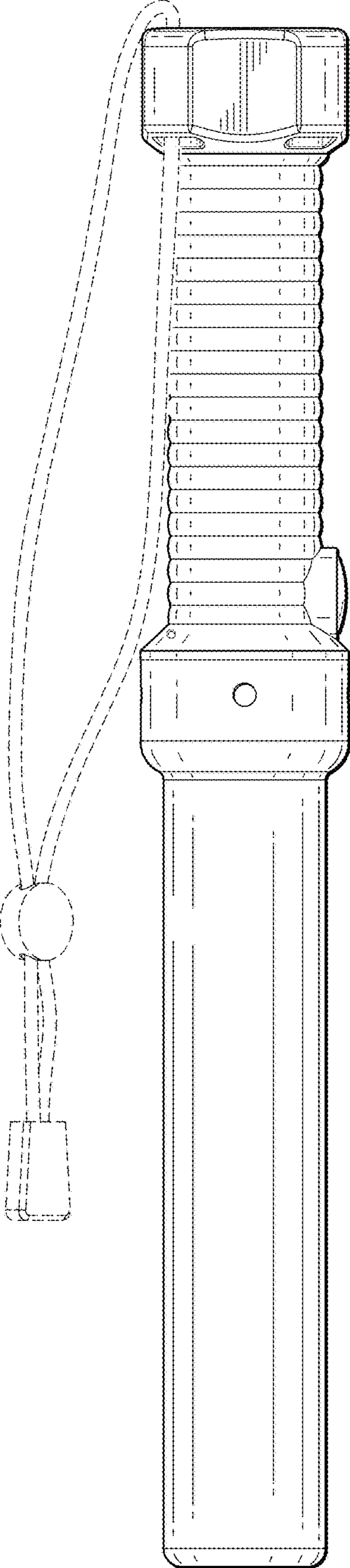
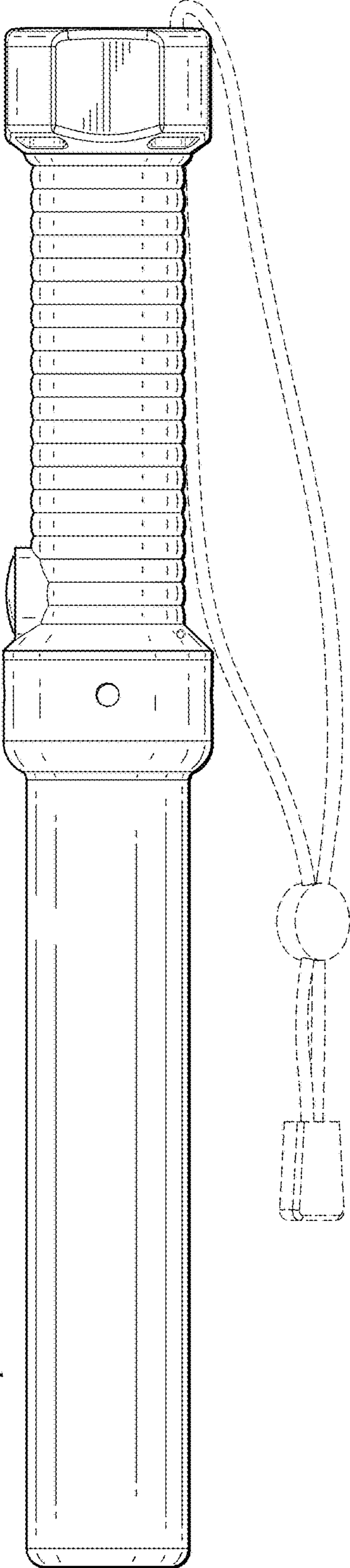


FIG. 3



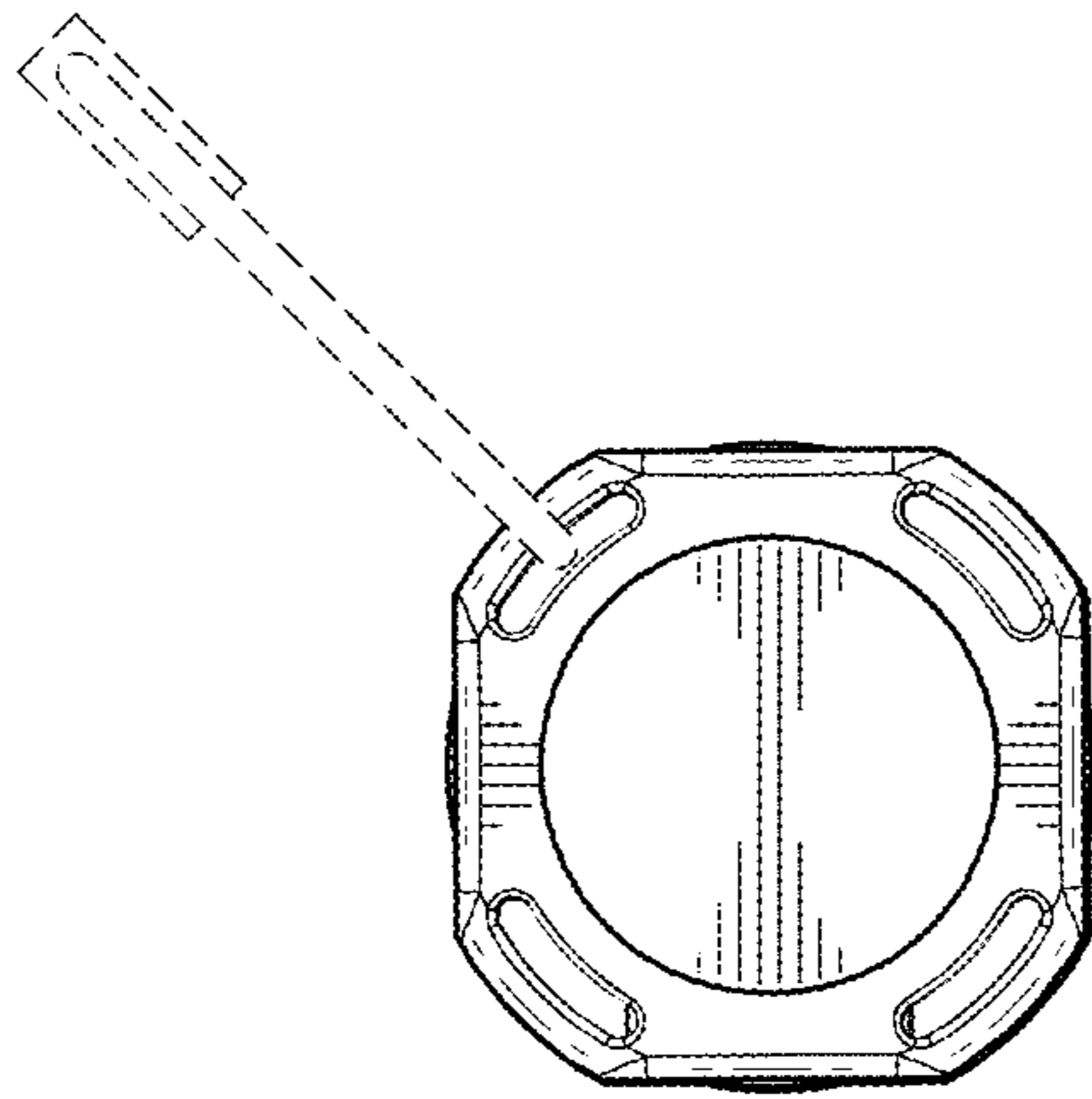


FIG. 6

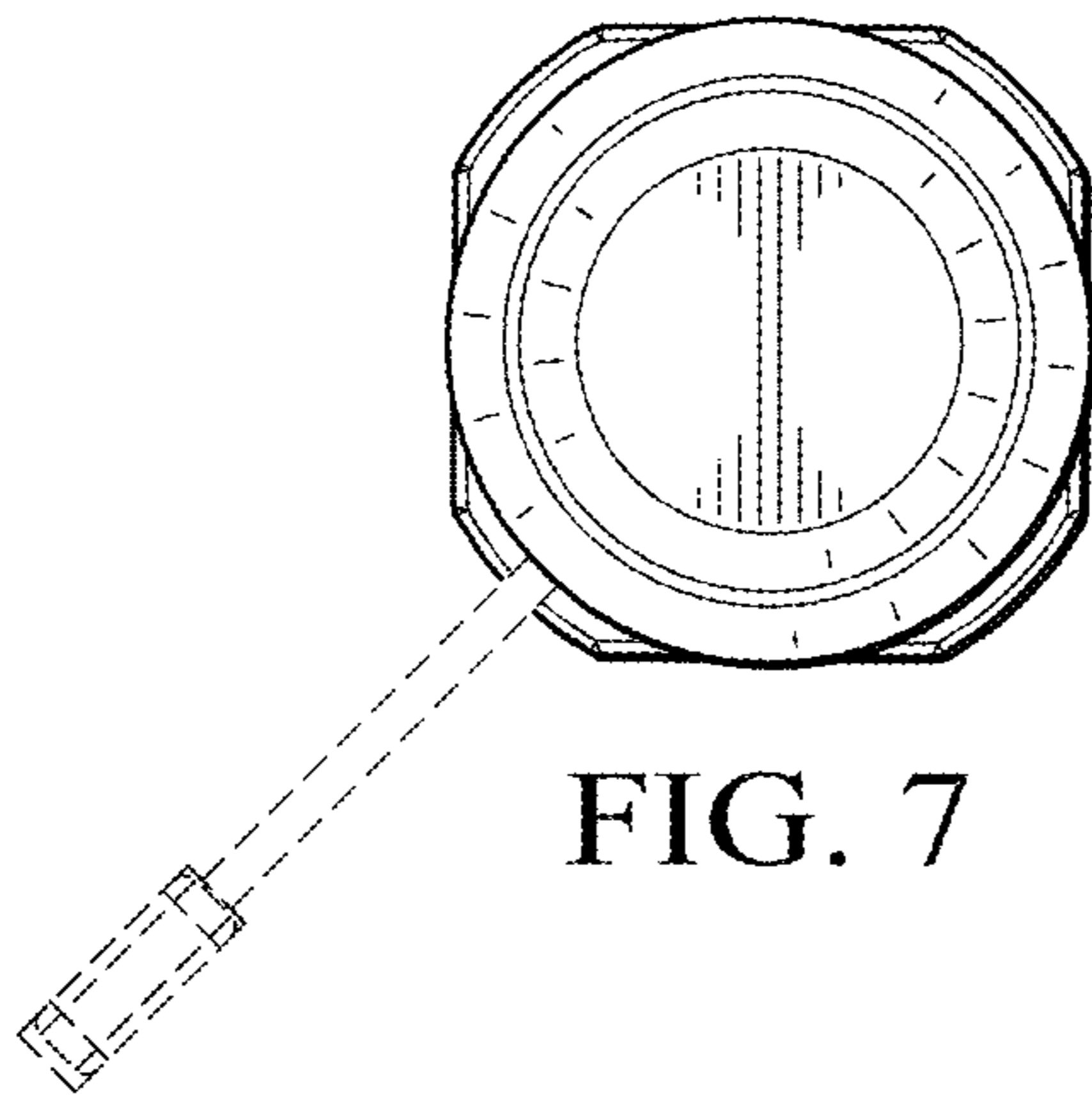


FIG. 7