



US00D796364S

(12) **United States Design Patent** (10) **Patent No.:** **US D796,364 S**
Konotopskyi et al. (45) **Date of Patent:** **** Sep. 5, 2017**

- (54) **PAIR OF OPEN DOOR/WINDOW SENSORS**
- (71) Applicant: **AJAX SYSTEMS INC.**, Wilmington, DE (US)
- (72) Inventors: **Aleksandr Konotopskyi**, Wilmington, DE (US); **Ilshat Garipov**, Haapsalu (EE)
- (73) Assignee: **Ajax Systems, Inc.**, Wilmington, DE (US)
- (**) Term: **15 Years**
- (21) Appl. No.: **29/553,155**
- (22) Filed: **Jan. 28, 2016**
- (51) **LOC (10) Cl.** **10-05**
- (52) **U.S. Cl.**
USPC **D10/106.1**
- (58) **Field of Classification Search**
USPC D10/70, 99, 100, 102, 103, 104.1, D10/106.1–106.9, 116.1, 118, 118.2, D10/119.1, 121, 125, 126, 132; D13/184
CPC G08B 15/00; G08B 21/12; G08B 21/22; G08B 17/06; G08B 17/10; G08B 17/103; G08B 17/107; G01R 22/065; G01R 11/00; G01R 11/04; H02B 1/26
See application file for complete search history.

- D628,103 S * 11/2010 Schmalz D10/106.6
- D680,014 S * 4/2013 Corso D10/106.6
- D680,459 S * 4/2013 Corso D10/106.6
- D711,272 S * 8/2014 Reibel D10/106.7
- D712,292 S * 9/2014 Yang D10/106.1
- D713,277 S * 9/2014 Hasegawa D10/106.6
- D731,906 S * 6/2015 Troutman D10/70
- D757,586 S * 5/2016 Li D10/106.6
- D764,335 S * 8/2016 Thornton D10/106.6

* cited by examiner

Primary Examiner — George D Kirschbaum

Assistant Examiner — Joseph Kukella

(74) *Attorney, Agent, or Firm* — Bardmesser Law Group

(57) **CLAIM**

The ornamental design for a pair of open door/window sensors, as shown and described.

DESCRIPTION

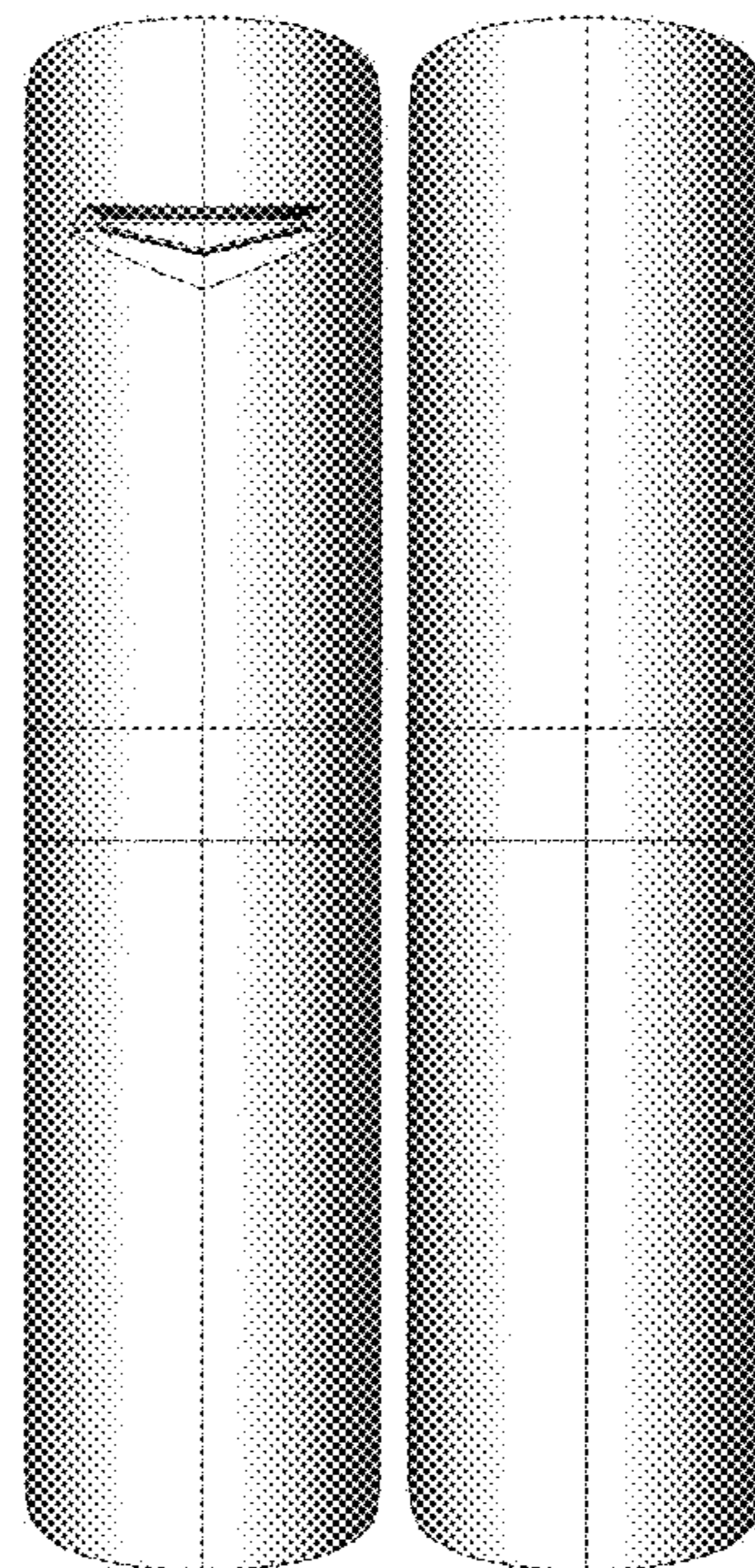
FIG. 1 is a front view of a pair of open door/window sensors, showing our new design;
 FIG. 2 shows a side perspective view thereof.
 FIG. 3 shows a perspective view of one of the pair of open door/window sensors.
 FIG. 4 shows a perspective view thereof.
 FIG. 5 shows a rear view thereof.
 FIG. 6 shows another perspective view thereof.
 FIG. 7 shows another perspective view of one of the pair of open door/window sensors.
 FIG. 8 shows another perspective view thereof.
 FIG. 9 shows a bottom view thereof; and,
 FIG. 10 shows a top view thereof.

1 Claim, 10 Drawing Sheets

(56) **References Cited**

U.S. PATENT DOCUMENTS

- D286,513 S * 11/1986 Au D10/106.1
- D323,788 S * 2/1992 Roberts D10/106.1
- D415,706 S * 10/1999 Ikeda D10/106.6
- D417,165 S * 11/1999 Takeda D10/106.6



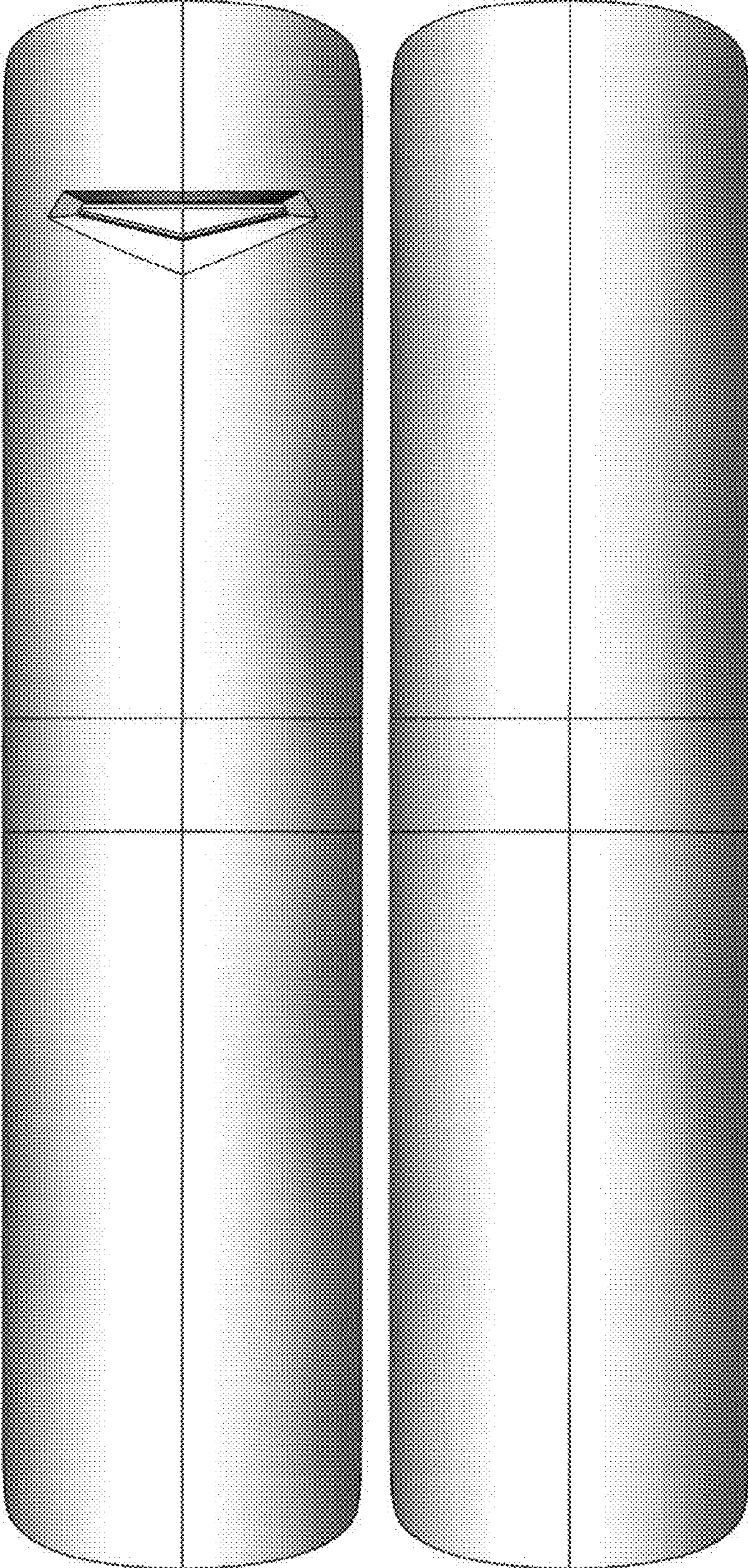


FIG. 1

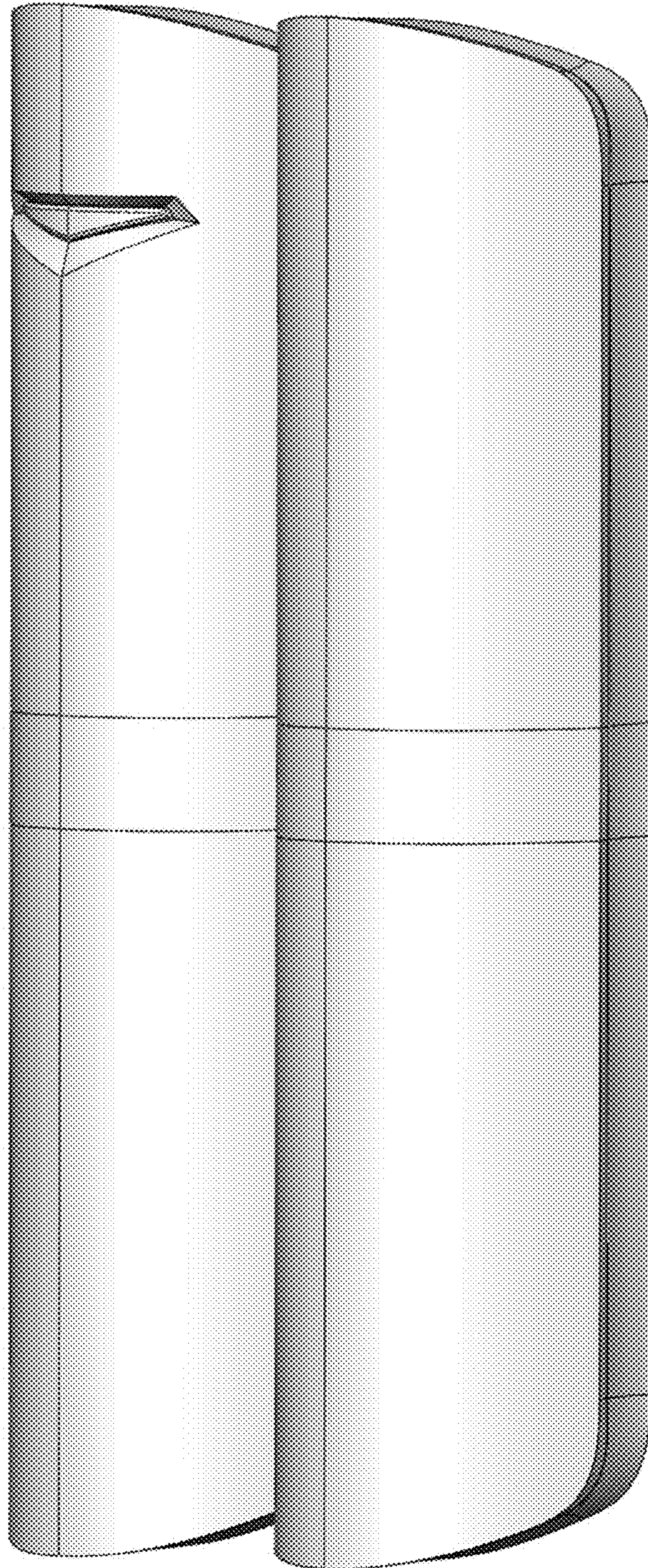


FIG. 2

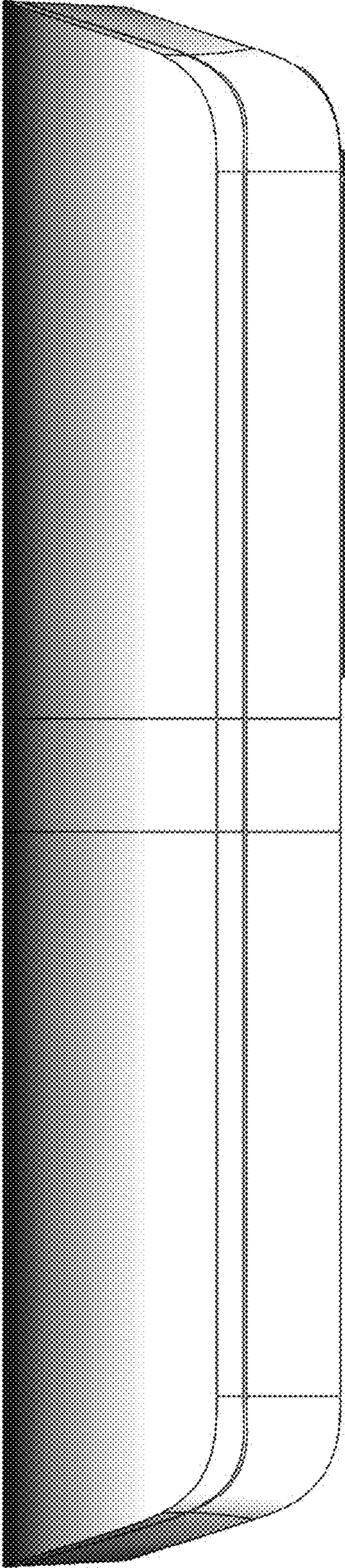


FIG. 3

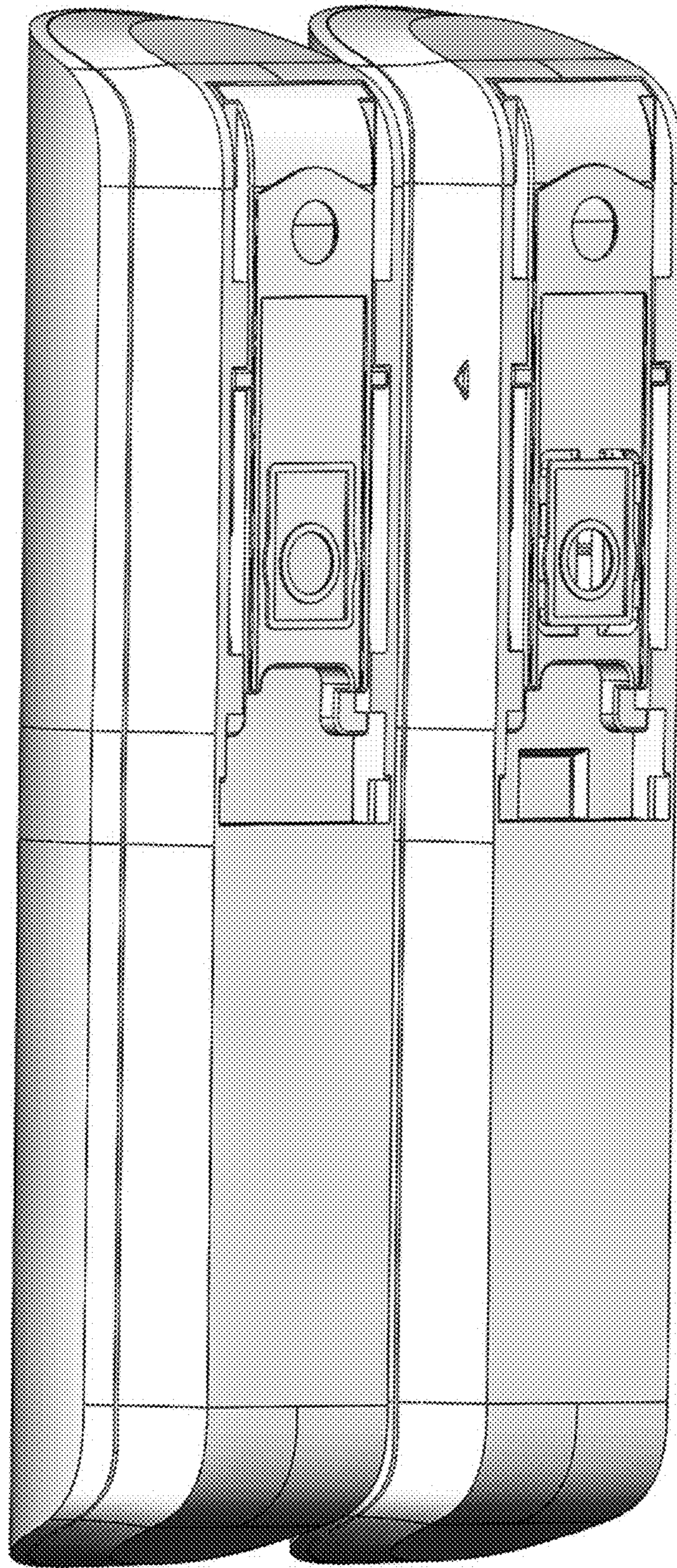


FIG. 4

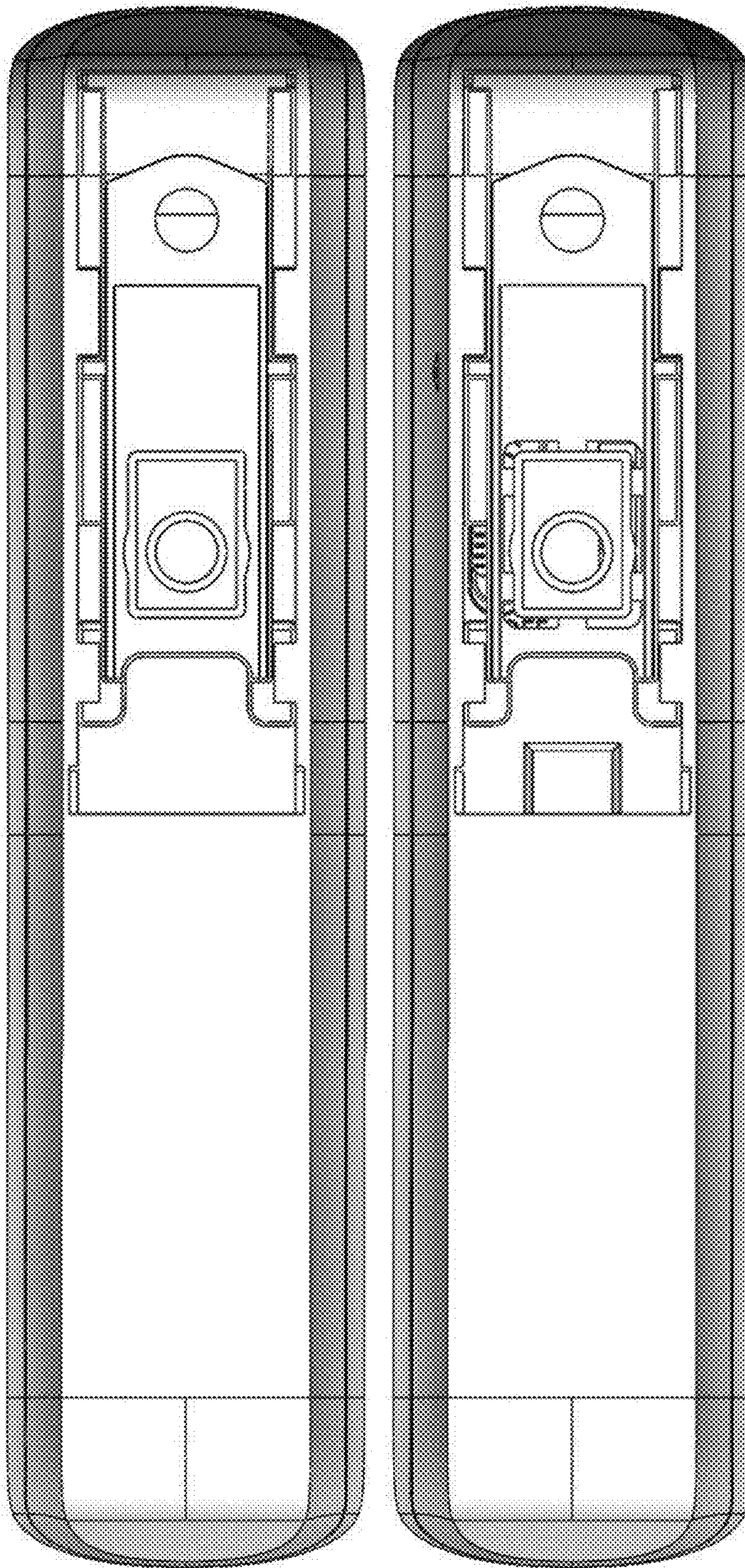


FIG. 5

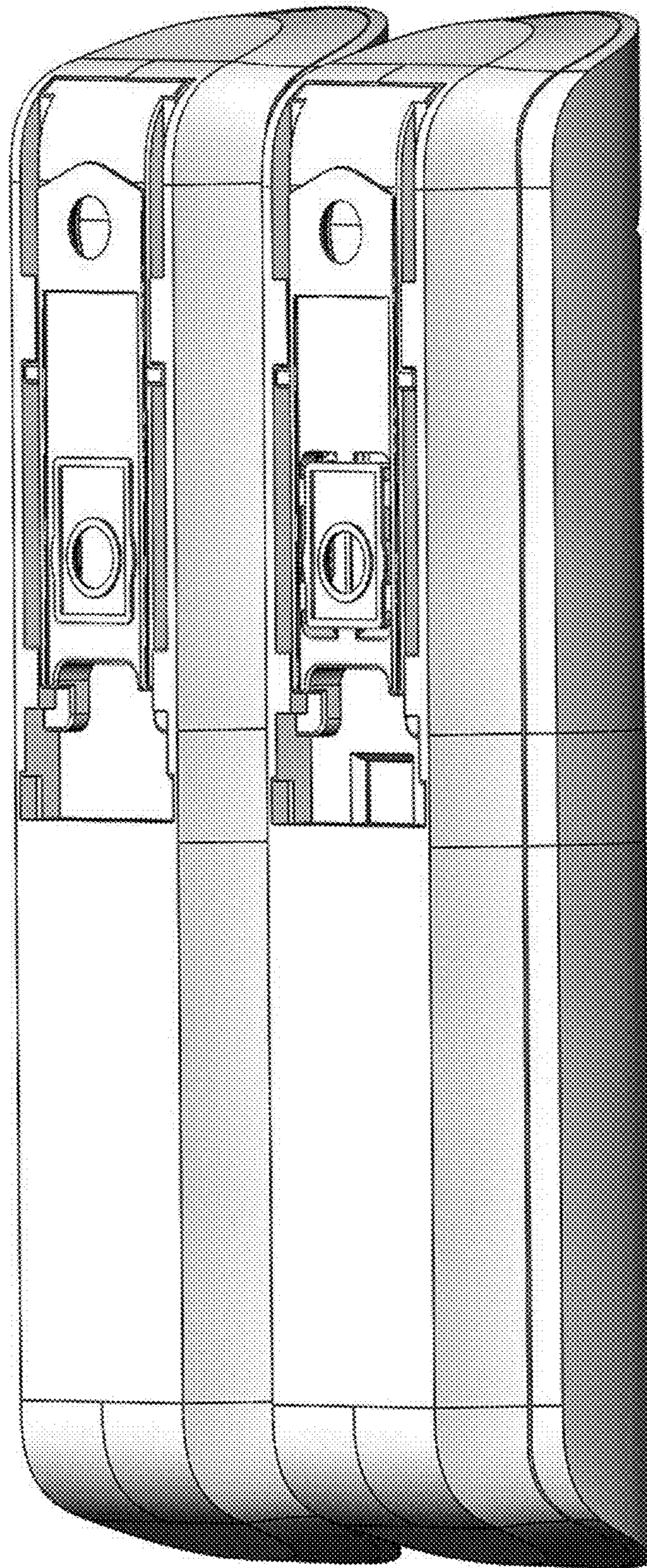


FIG. 6

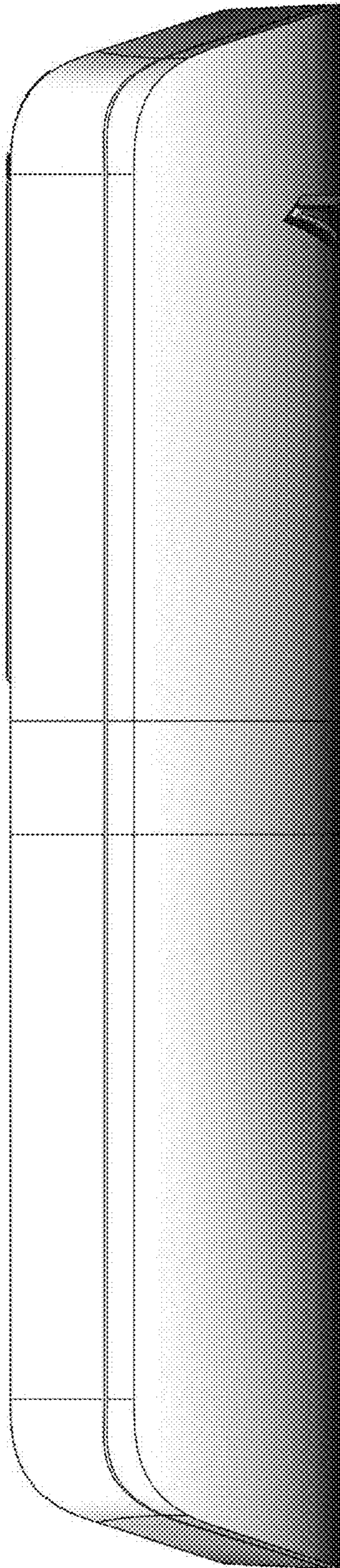


FIG. 7

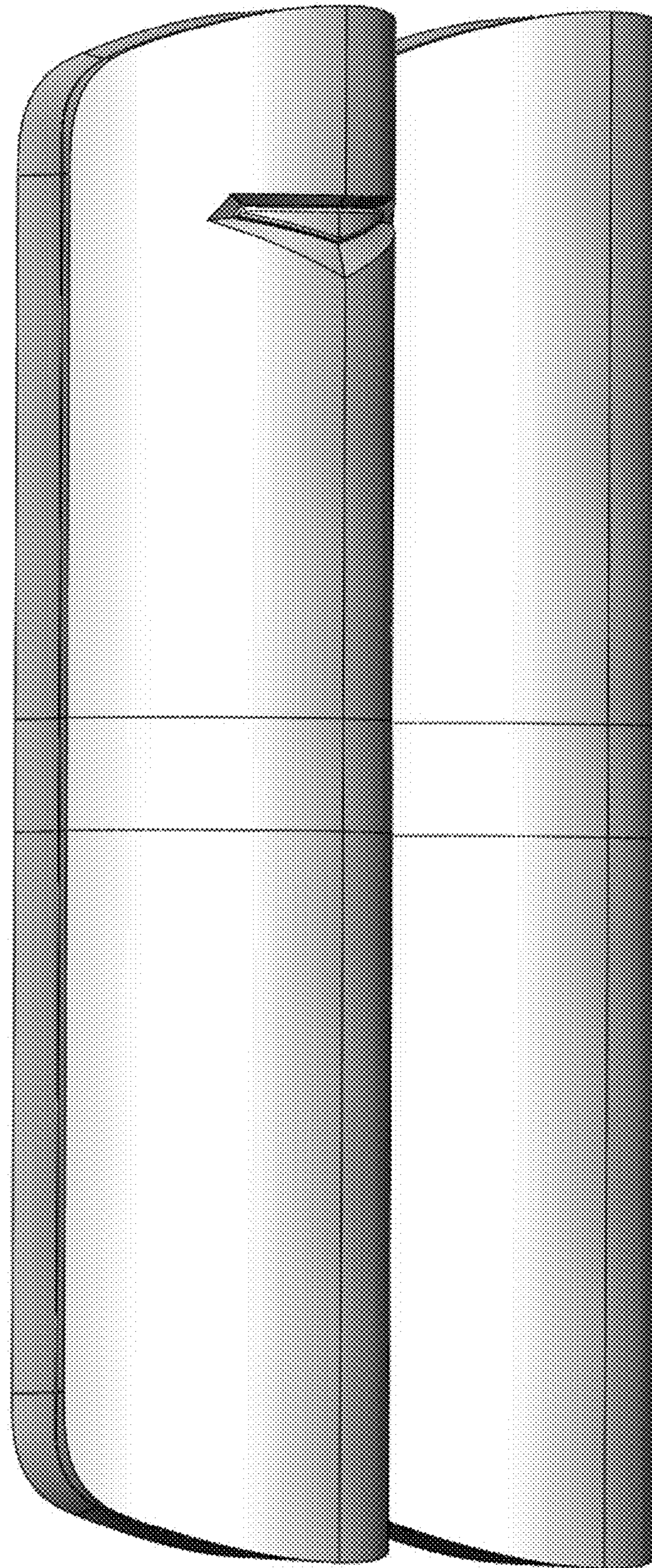


FIG. 8

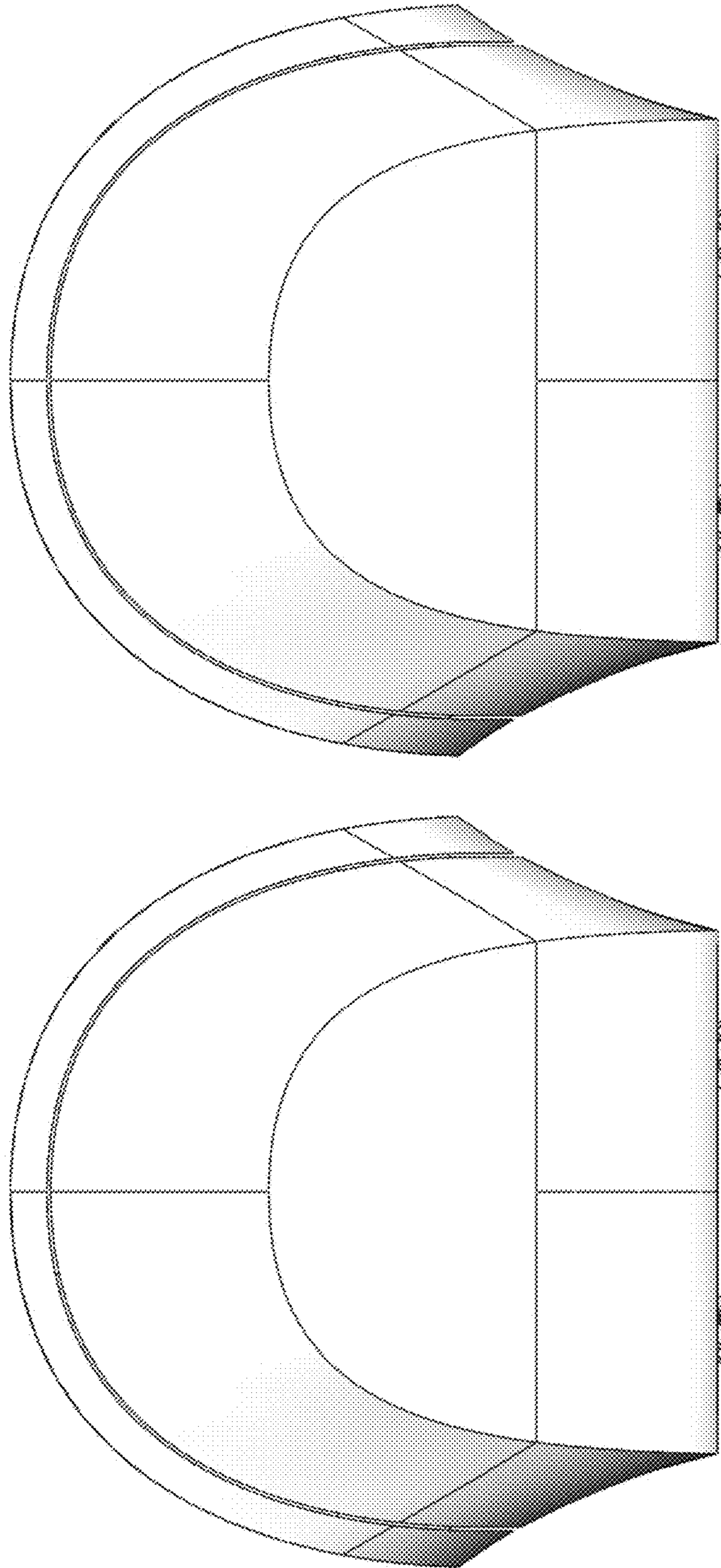


FIG. 9

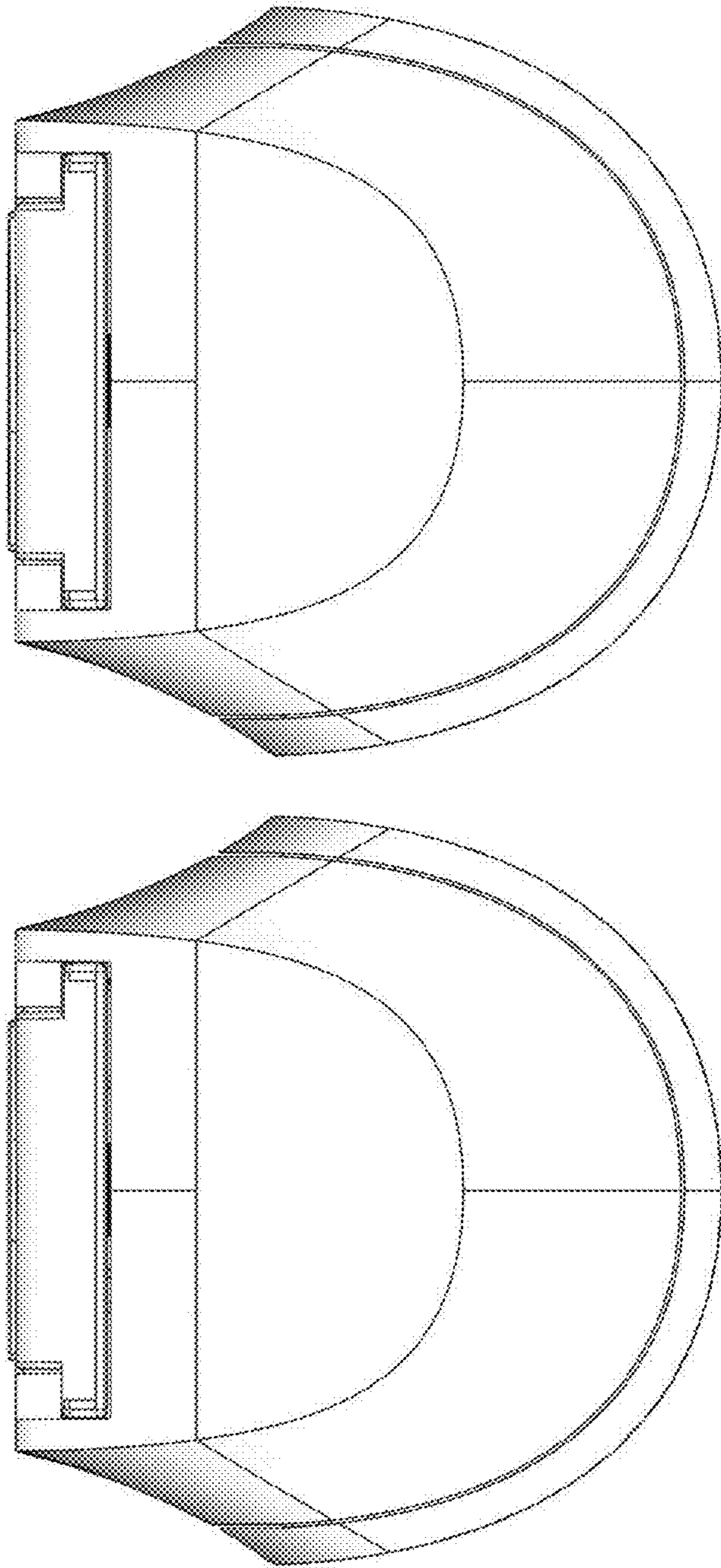


FIG. 10