



US00D796363S

(12) **United States Design Patent**
Ross et al.

(10) **Patent No.:** **US D796,363 S**
(45) **Date of Patent:** **** Sep. 5, 2017**

(54) **FITNESS TRACKER**

DESCRIPTION

(71) Applicant: **STRIIV, INC**, Redwood City, CA (US)

(72) Inventors: **Mark A. Ross**, San Carlos, CA (US);
David Jonq Wang, Palo Alto, CA (US)

(73) Assignee: **STRIIV, INC.**, Redwood City, CA (US)

(**) Term: **15 Years**

(21) Appl. No.: **29/565,204**

(22) Filed: **May 18, 2016**

(51) **LOC (10) Cl.** **10-04**

(52) **U.S. Cl.**
USPC **D10/103; D10/30; D10/70; D10/132;**
D14/344; D24/167; D24/186

(58) **Field of Classification Search**

USPC **D10/30-39, 65, 70, 78, 97, 98, 103, 132;**
D11/3; D14/138 R, 203.5, 203.6, 341,
D14/344, 347; D24/167, 168, 186
CPC **G04B 19/00-19/34; G04B 21/12; G04B**
23/12; G04B 37/00-37/228; G04B
47/00-47/068; G01C 17/00; G01C
21/00-21/3697; G06F 19/3481; G06F

(Continued)

(56) **References Cited**

U.S. PATENT DOCUMENTS

D726,062 S * 4/2015 Silverstein D11/56
D729,646 S * 5/2015 Phillips D10/103

(Continued)

Primary Examiner — Antoine D Davis

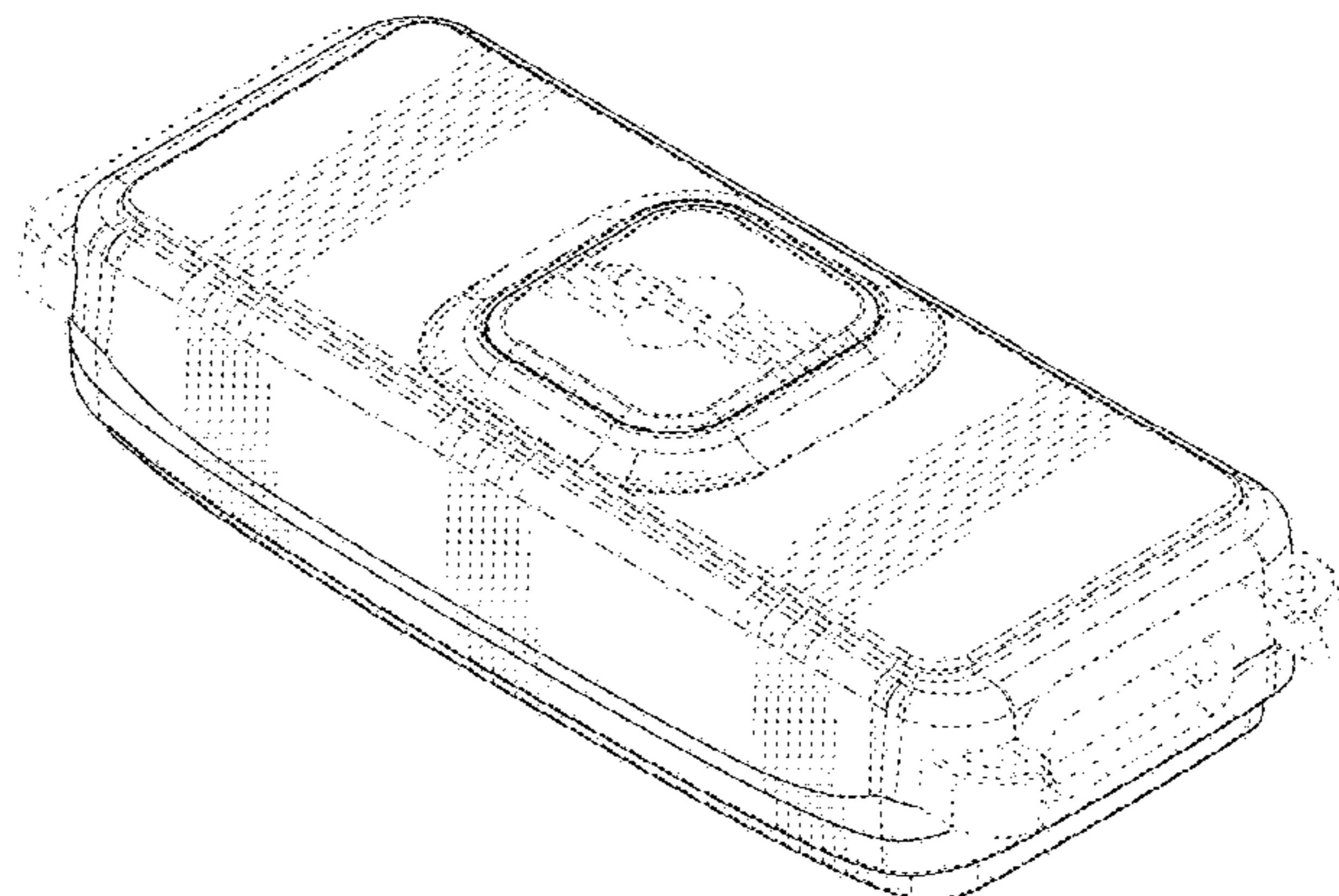
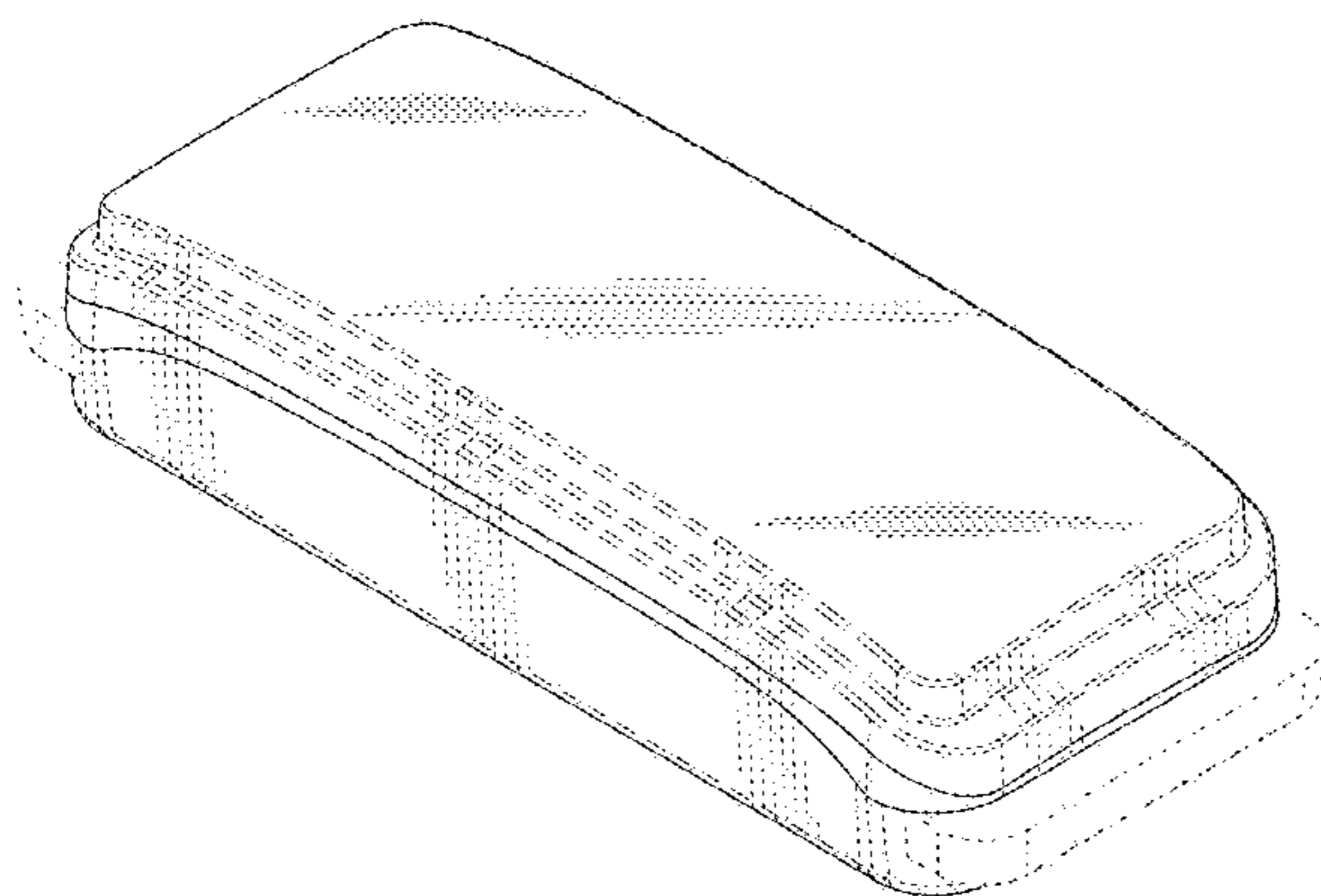
(74) *Attorney, Agent, or Firm* — Maschoff Brennan

(57) **CLAIM**

The ornamental design for a fitness tracker, as shown and described in the Figures.

FIG. 1 is a perspective environmental view of an example fitness tracker according to the new design, held in a fitness tracker wrist band shown in broken lines;
FIG. 2 is an upper perspective view of the fitness tracker of FIG. 1 showing the new design;
FIG. 3 is a lower perspective view of the fitness tracker of FIG. 2;
FIG. 4 is a front elevation view of the fitness tracker of FIG. 2;
FIG. 5 is a rear elevation view of the fitness tracker of FIG. 2;
FIG. 6 is a right side elevation view of the fitness tracker of FIG. 2;
FIG. 7 is a left side elevation view of the fitness tracker of FIG. 2;
FIG. 8 is a top plan view of the fitness tracker of FIG. 2;
FIG. 9 is a bottom plan view of the fitness tracker of FIG. 2;
FIG. 10 is a perspective environmental view of another example fitness tracker according to the new design, held in a fitness tracker wrist band shown in broken lines;
FIG. 11 is an upper perspective view of the fitness tracker of FIG. 10 showing the new design;
FIG. 12 is a lower perspective view of the fitness tracker of FIG. 11;
FIG. 13 is a front elevation view of the fitness tracker of FIG. 11;
FIG. 14 is a rear elevation view of the fitness tracker of FIG. 11;
FIG. 15 is a right side elevation view of the fitness tracker of FIG. 11;
FIG. 16 is a left side elevation view of the fitness tracker of FIG. 11;
FIG. 17 is a top plan view of the fitness tracker of FIG. 11;
and,
FIG. 18 is a bottom plan view of the fitness tracker of FIG. 11.
The broken lines shown in the figures are for illustrative purposes only and form no part of the claimed design.

1 Claim, 16 Drawing Sheets



(58) **Field of Classification Search**

CPC 3/00-3/027; G06F 22/00-22/025; G06F
23/00

See application file for complete search history.

(56) **References Cited**

U.S. PATENT DOCUMENTS

| | | | | | | |
|-----------|----|---|---------|----------|-------|-------------|
| D729,648 | S | * | 5/2015 | Phillips | | D10/103 |
| D729,649 | S | * | 5/2015 | Phillips | | D10/103 |
| D731,898 | S | * | 6/2015 | Squires | | D10/30 |
| D740,807 | S | * | 10/2015 | Daniel | | D14/344 |
| D742,373 | S | * | 11/2015 | Ji | | D10/38 |
| 9,192,326 | B2 | * | 11/2015 | Kahn | | G04G 13/026 |
| D745,513 | S | * | 12/2015 | Jung | | D14/344 |
| D745,868 | S | * | 12/2015 | Choi | | D10/32 |
| D756,250 | S | * | 5/2016 | Lee | | D10/65 |
| D767,768 | S | * | 9/2016 | Ahmed | | D24/186 |
| D772,228 | S | * | 11/2016 | Jung | | D14/344 |
| D772,869 | S | * | 11/2016 | Iizuka | | D10/39 |

* cited by examiner

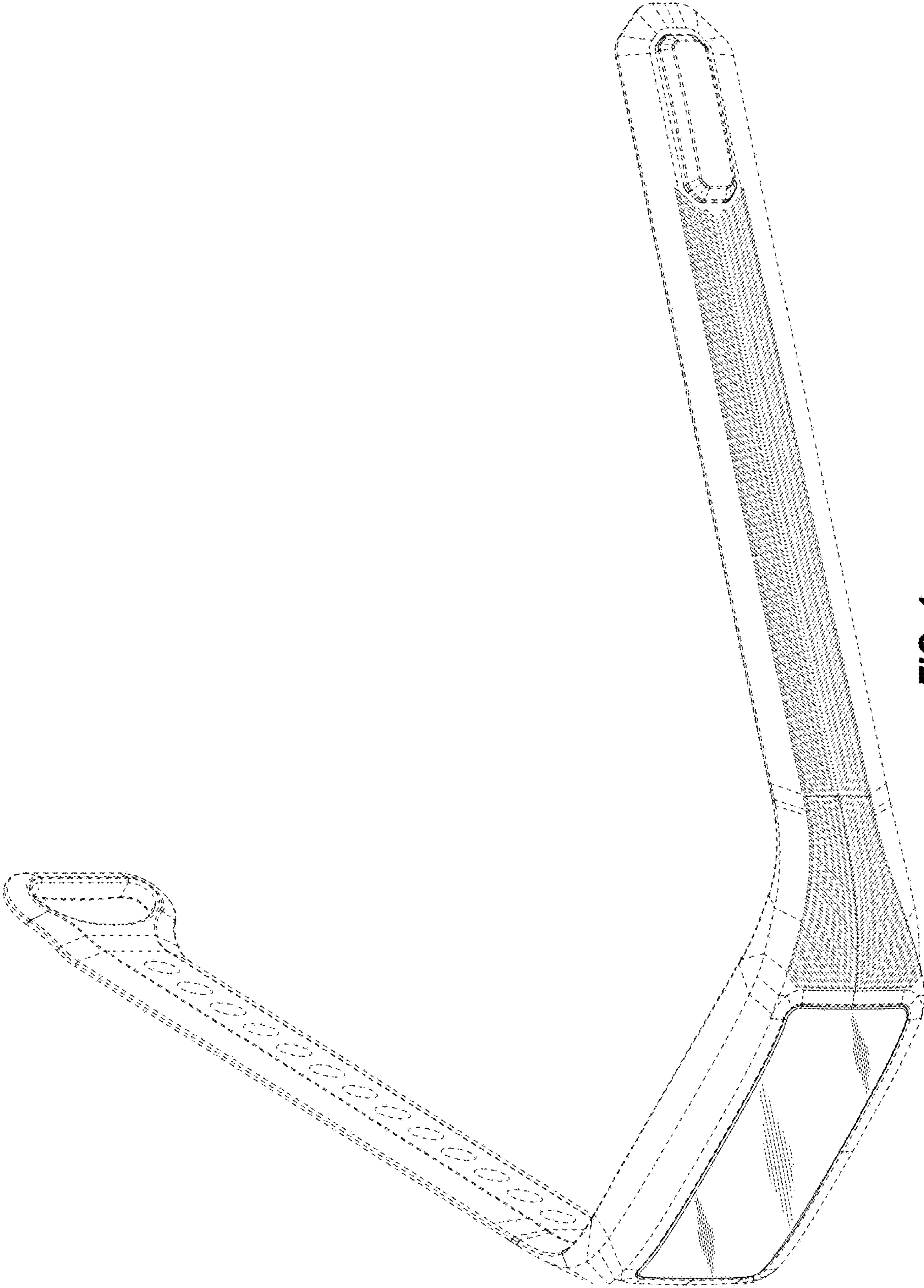


FIG. 1

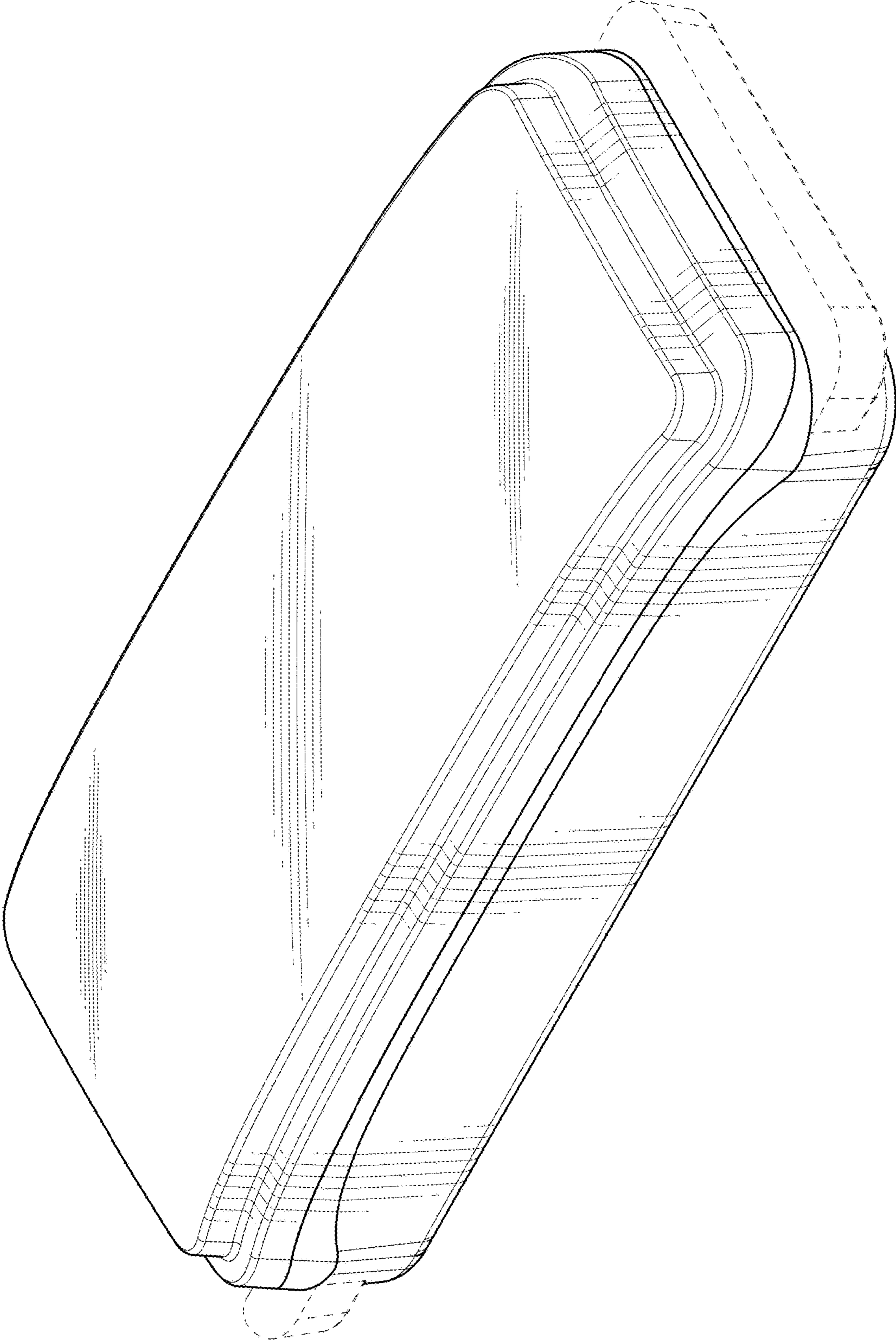


FIG. 2

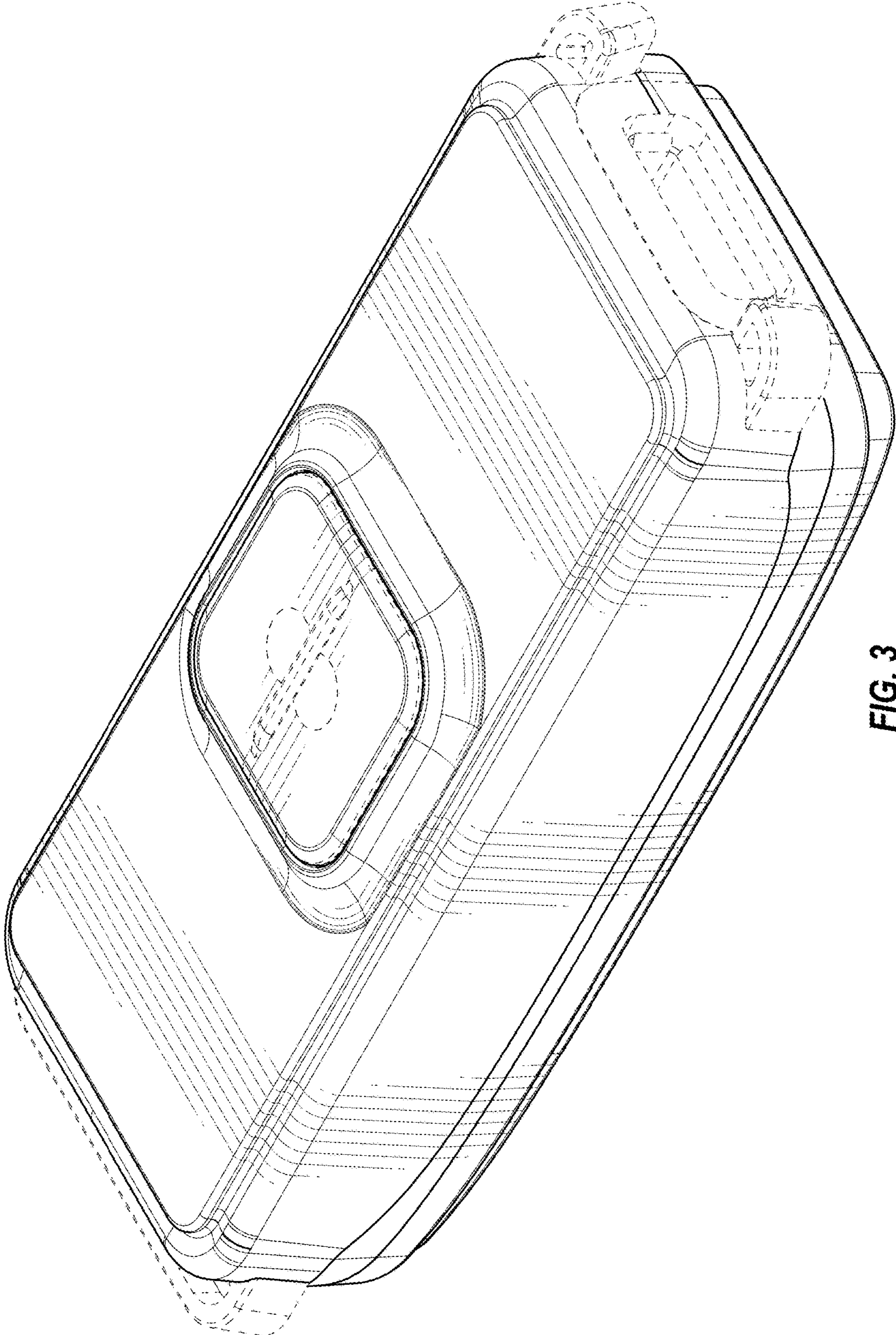


FIG. 3

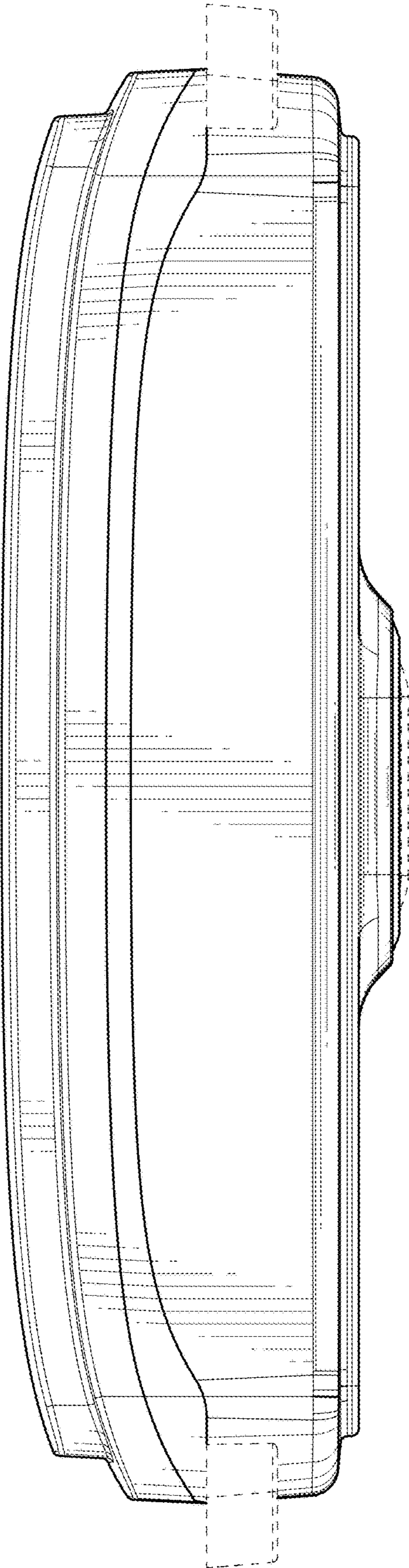


FIG. 4

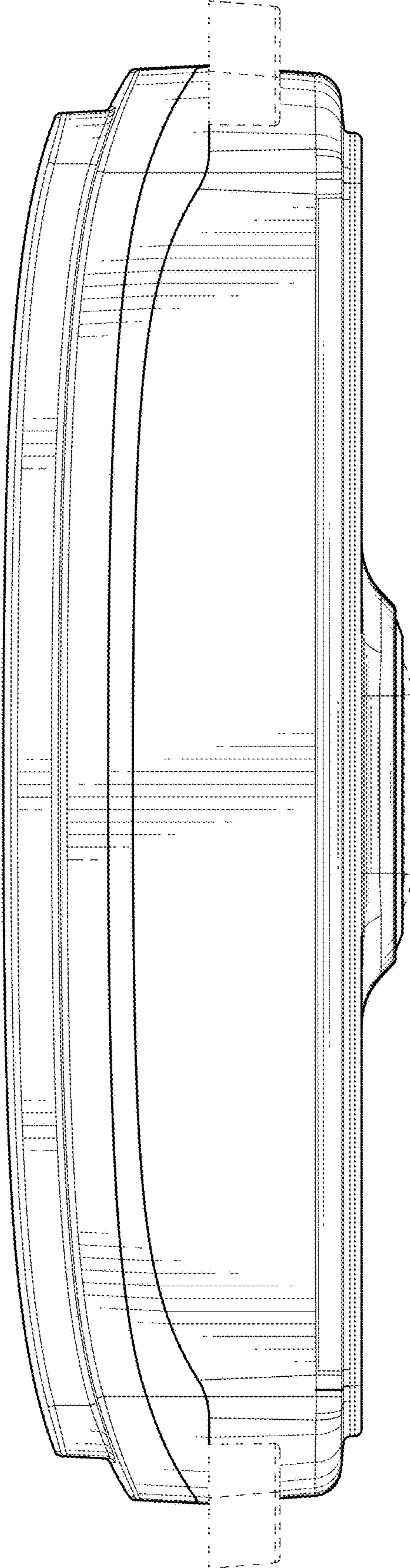


FIG. 5

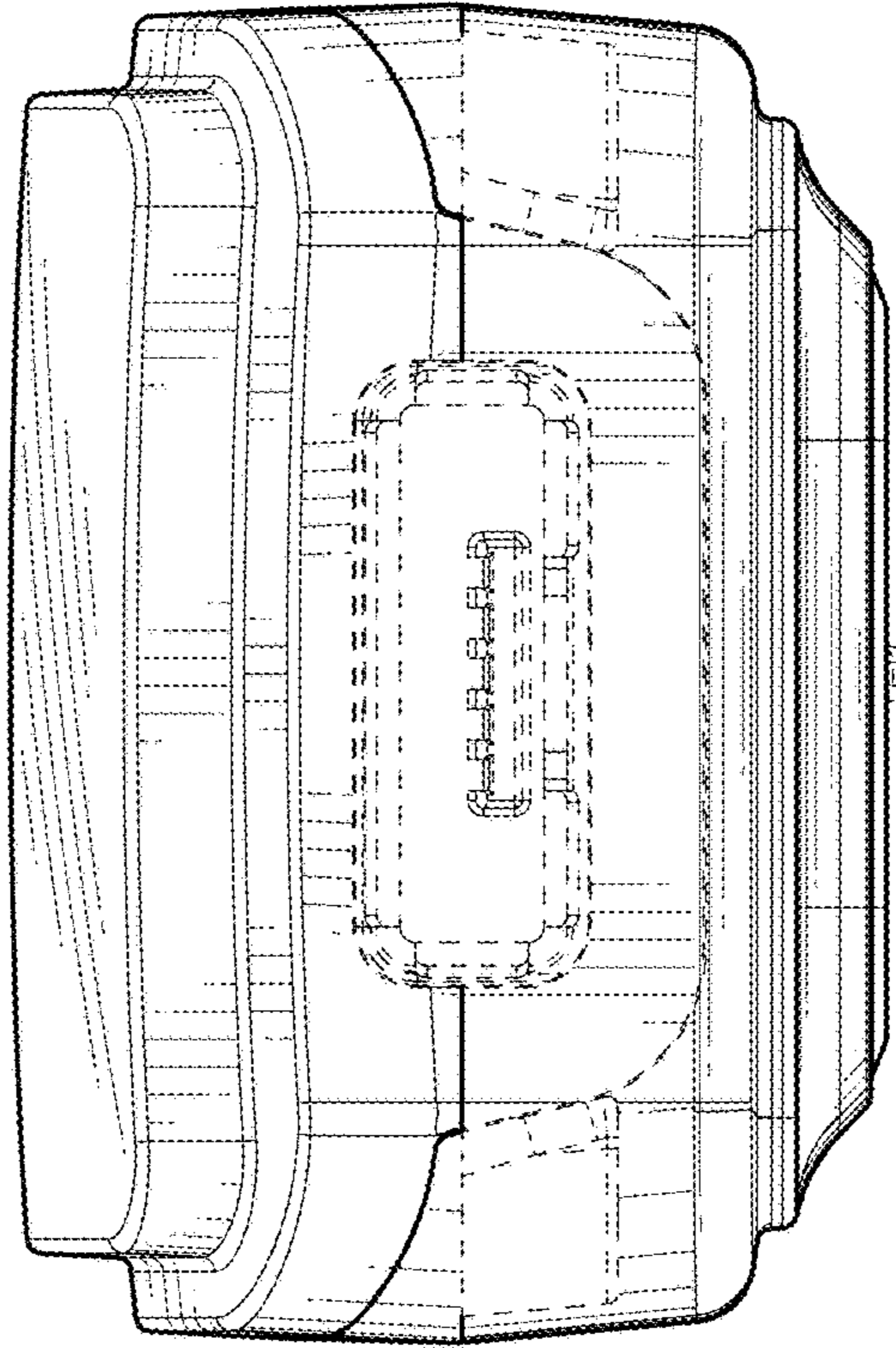


FIG. 7

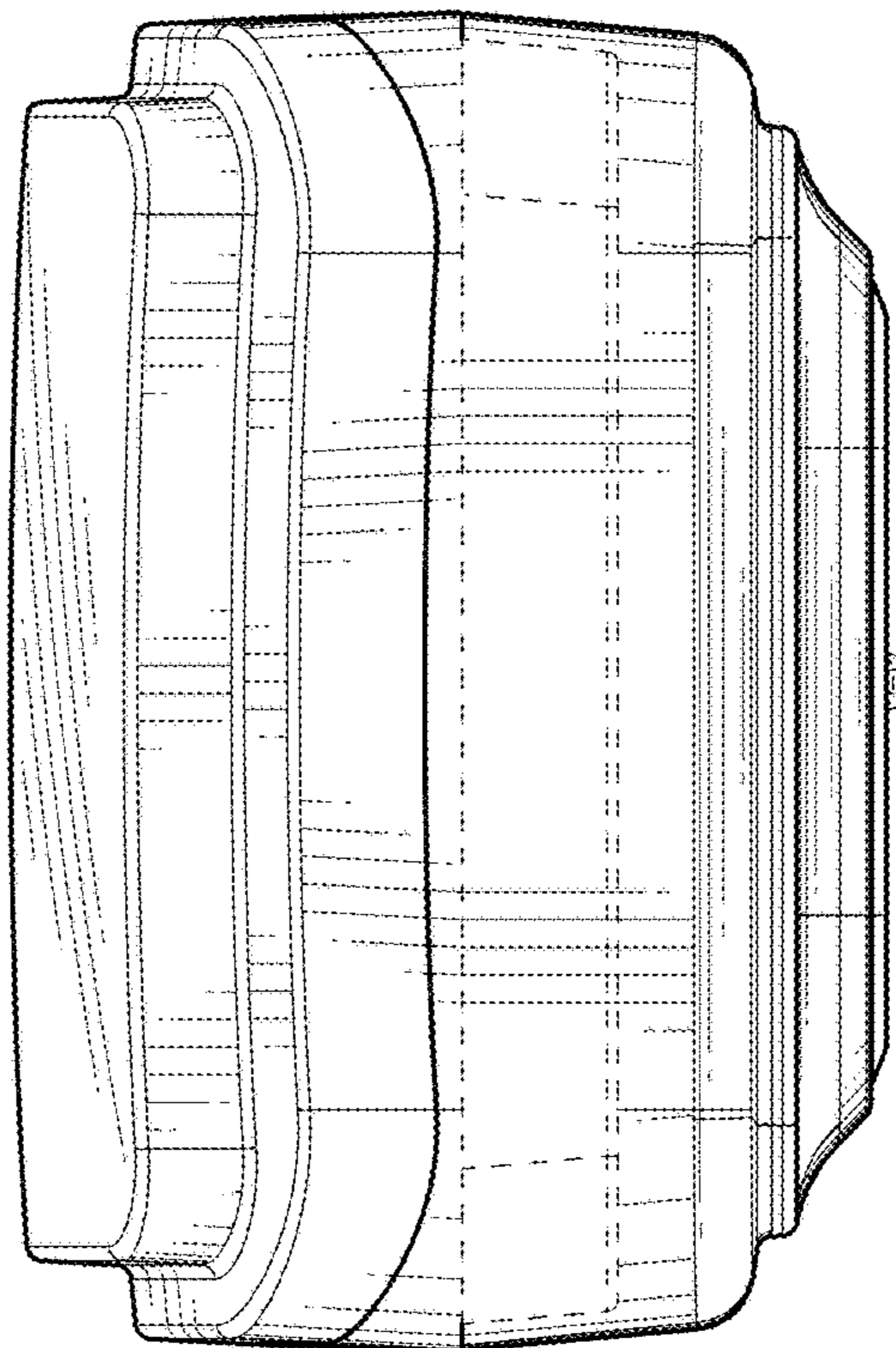


FIG. 6

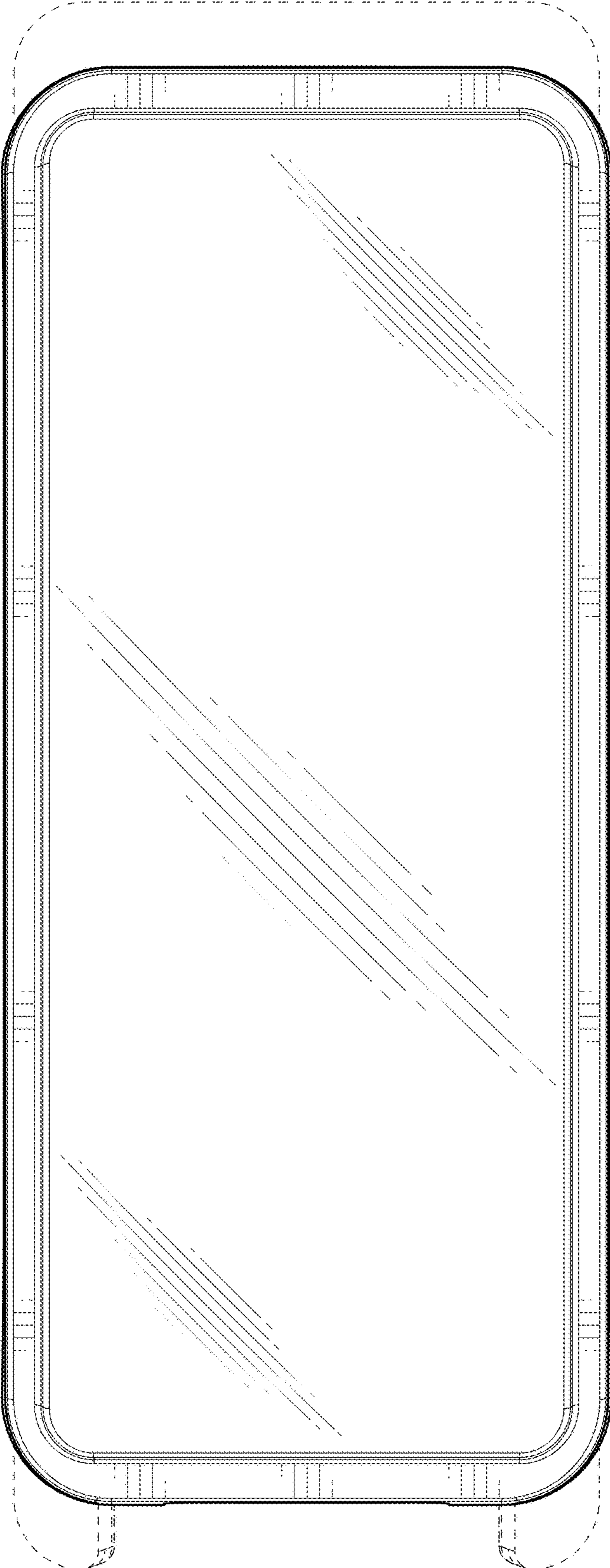


FIG. 8

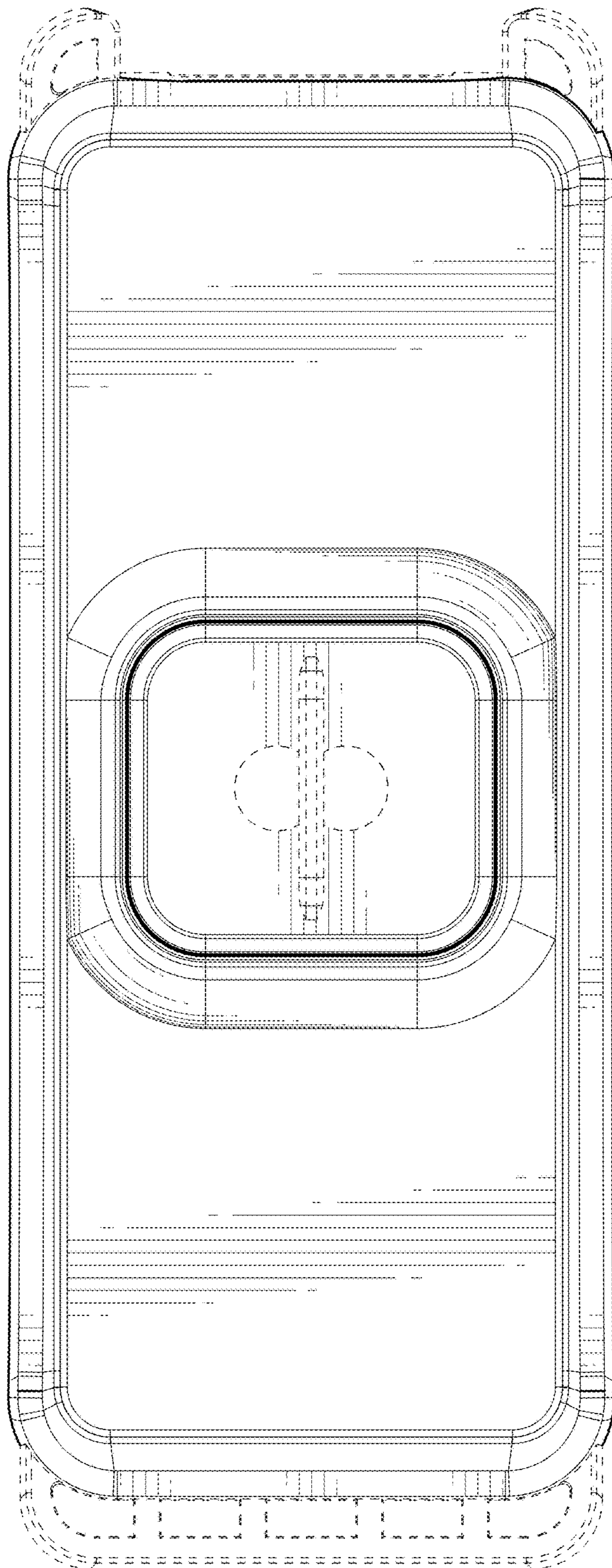


FIG. 9

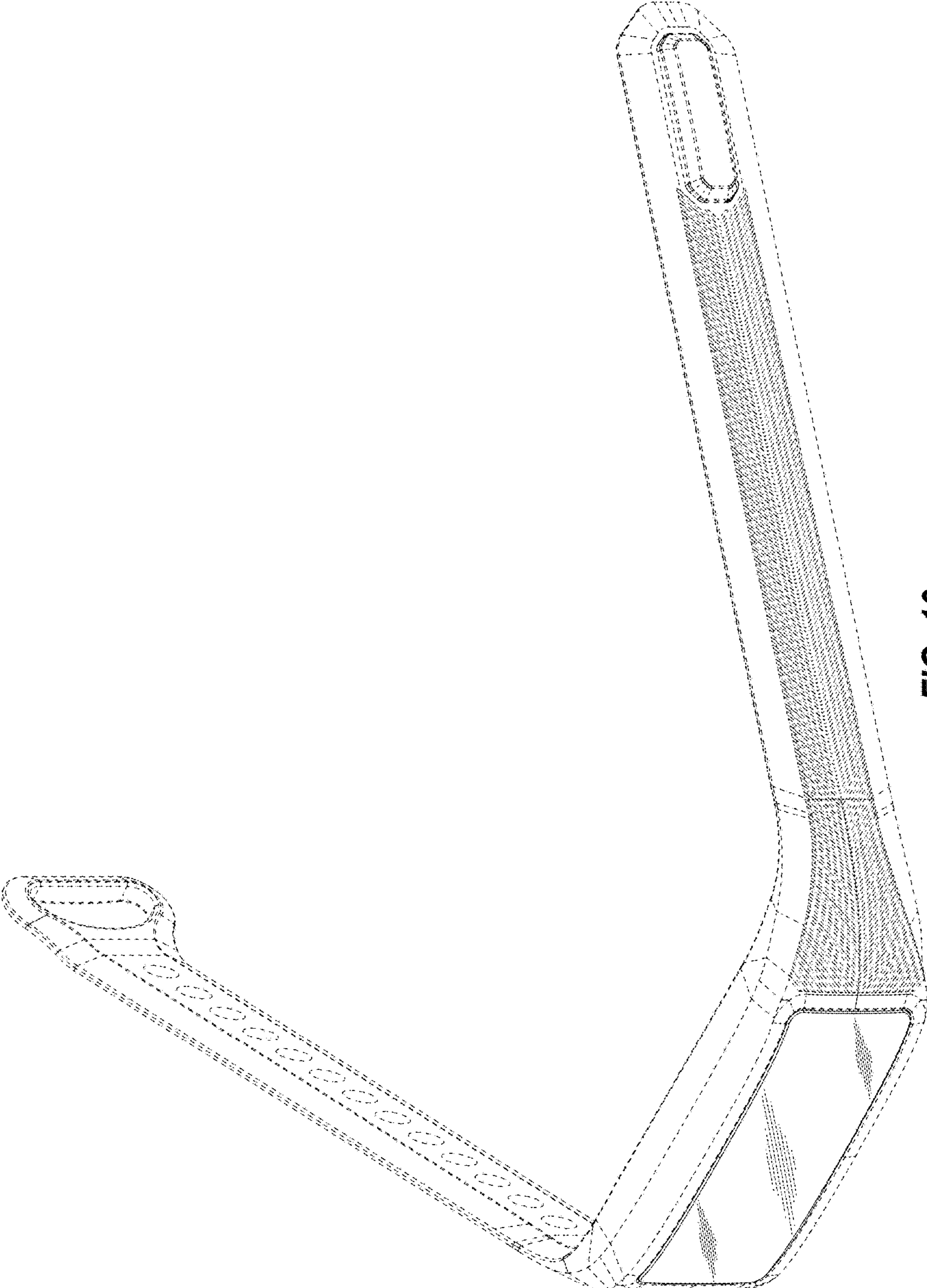


FIG. 10

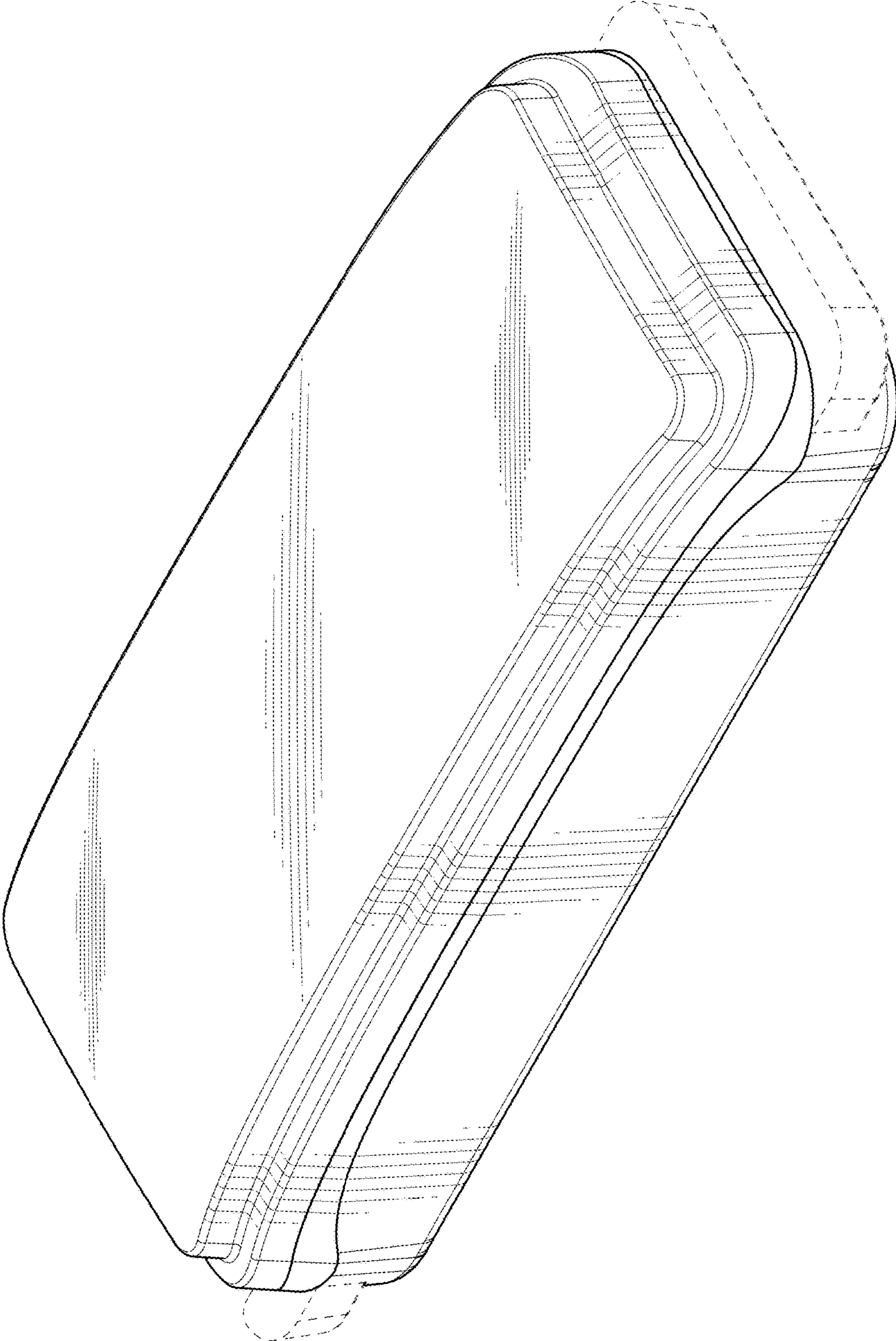


FIG. 11

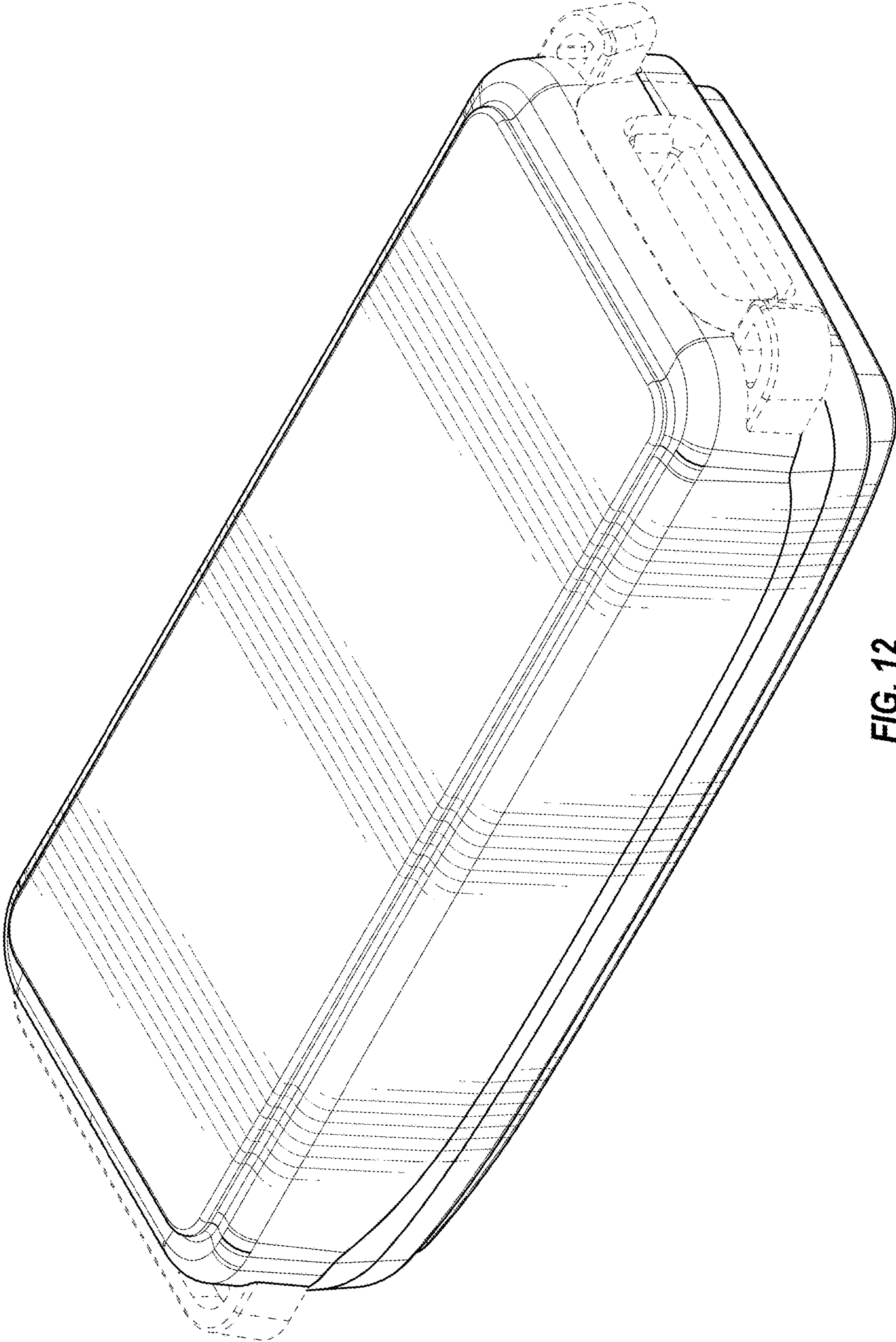


FIG. 12

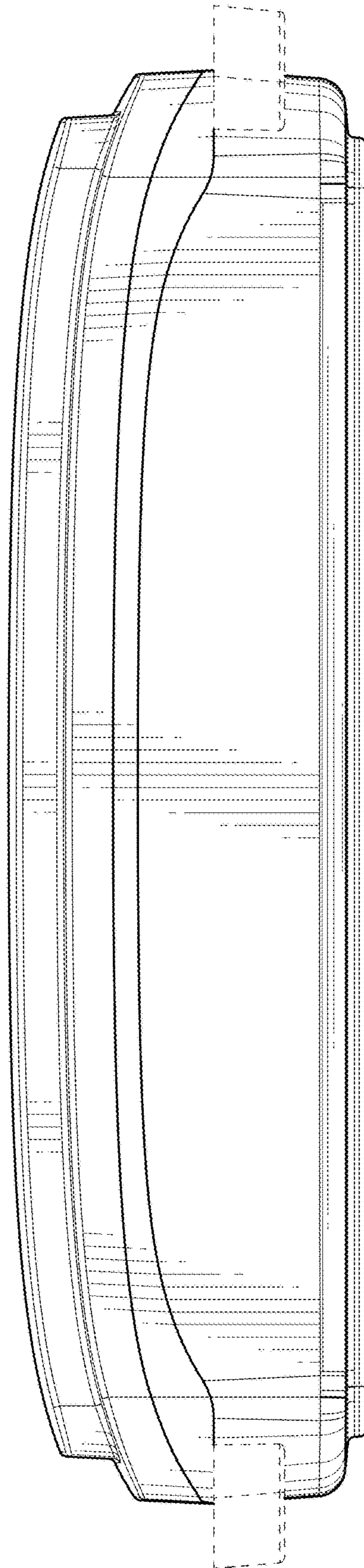


FIG. 13

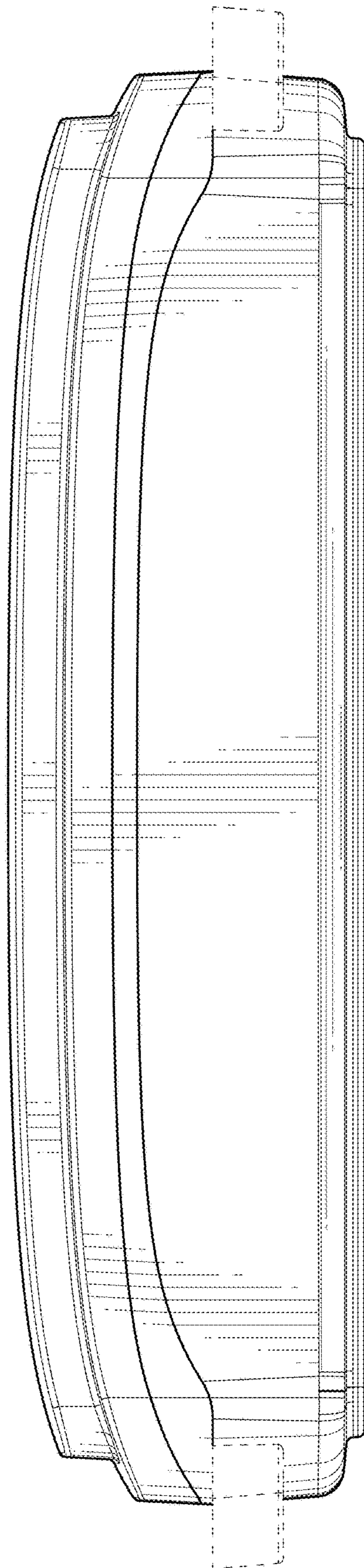


FIG. 14

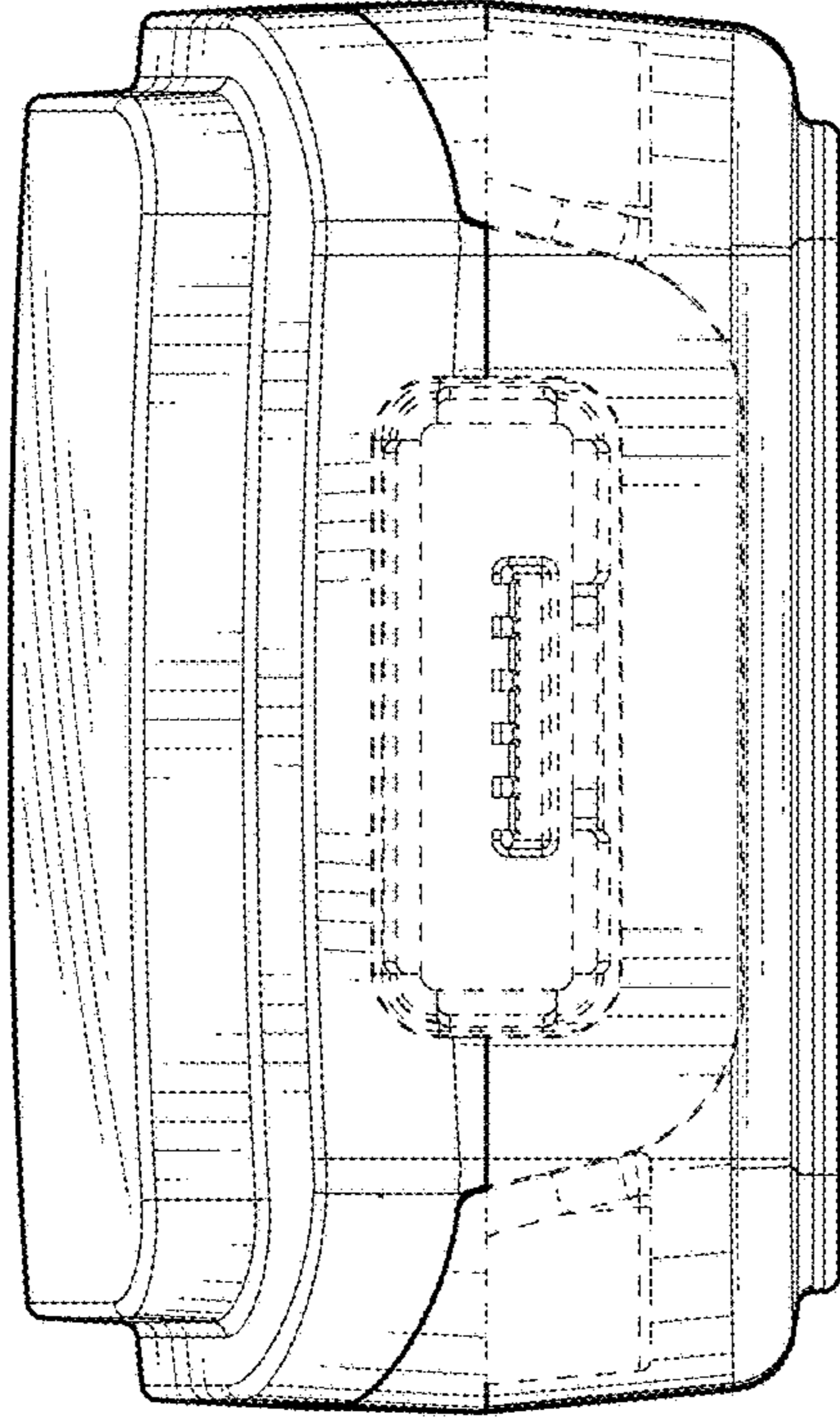


FIG. 16

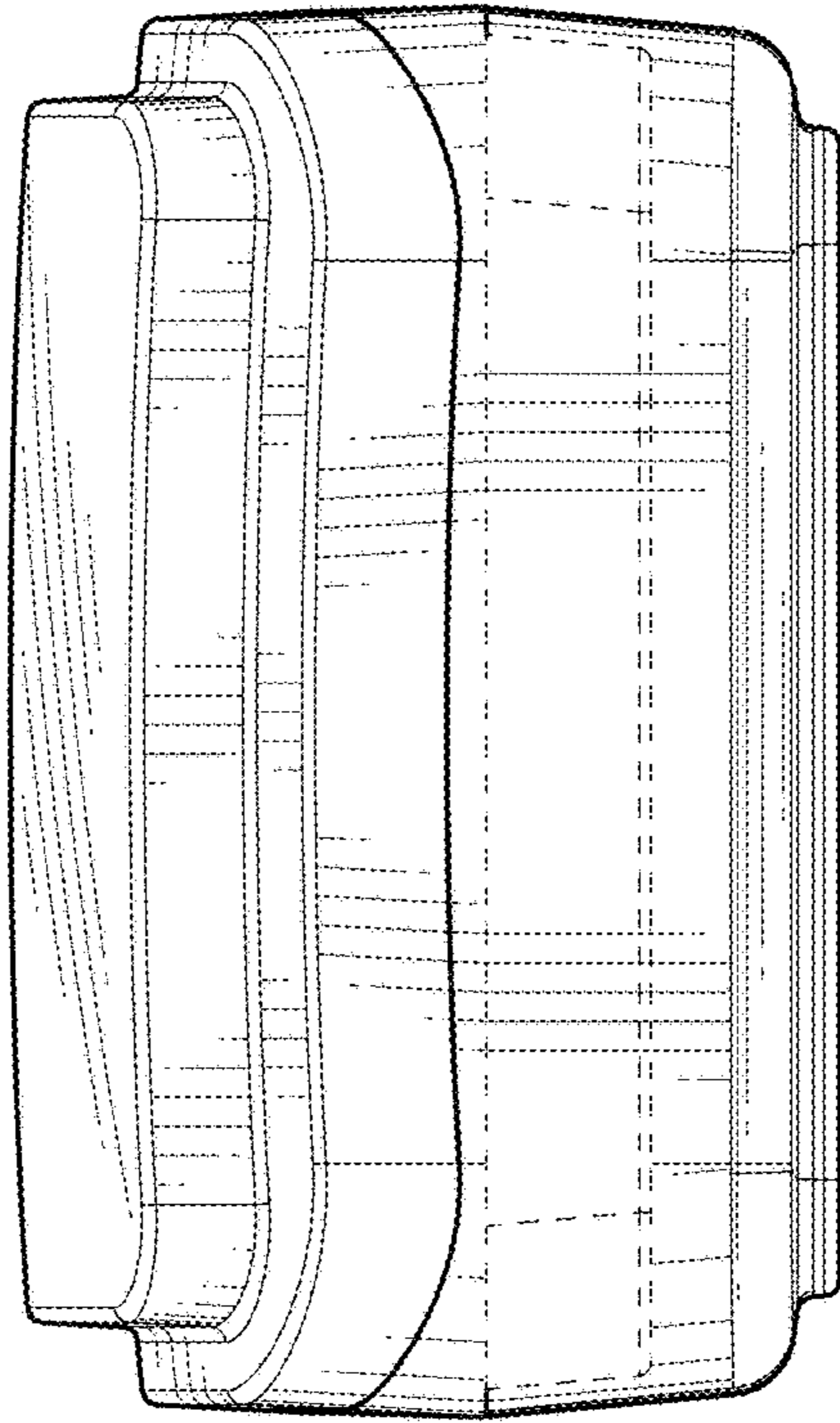


FIG. 15

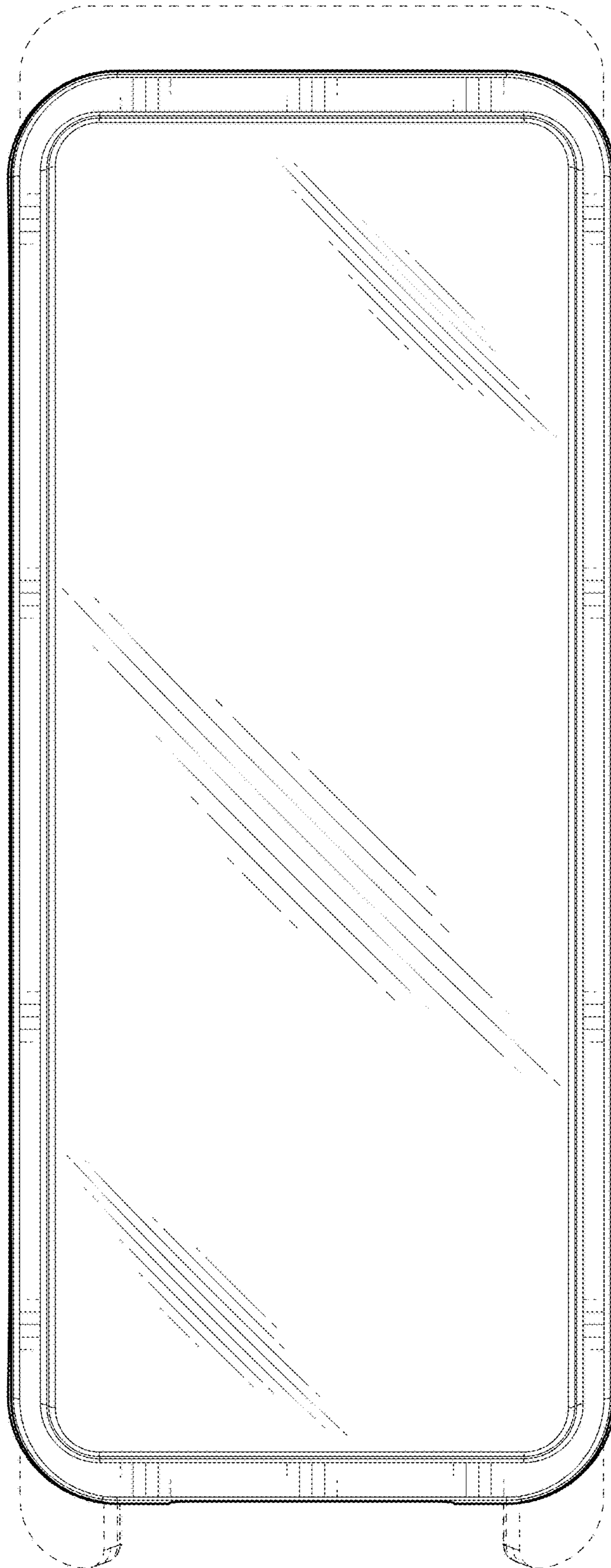


FIG. 17

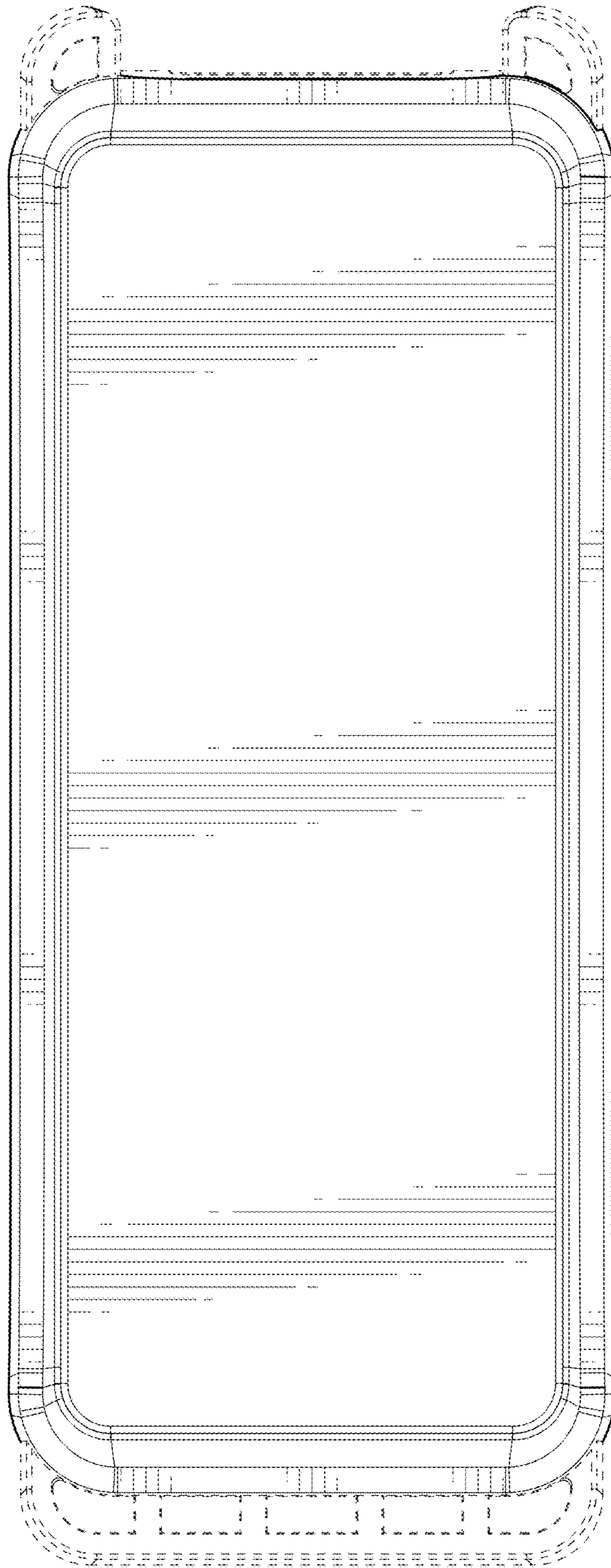


FIG. 18