



US00D796362S

(12) **United States Design Patent** (10) **Patent No.:** **US D796,362 S**
Amamiya et al. (45) **Date of Patent:** **** Sep. 5, 2017**

(54) **VISCOMETER**

(71) Applicant: **ATAGO CO., LTD.**, Tokyo (JP)

(72) Inventors: **Hideyuki Amamiya**, Tokyo (JP);
Yoshinori Nakashima, Tokyo (JP);
Junji Higuchi, Tokyo (JP)

(73) Assignee: **Atago Co., Ltd.**, Tokyo (JP)

(**) Term: **15 Years**

(21) Appl. No.: **29/552,645**

(22) Filed: **Jan. 25, 2016**

(30) **Foreign Application Priority Data**

Jul. 24, 2015 (JP) 2015-016578

(51) **LOC (10) Cl.** **10-04**

(52) **U.S. Cl.**
USPC **D10/96**

(58) **Field of Classification Search**
USPC D10/96

(Continued)

(56) **References Cited**

U.S. PATENT DOCUMENTS

D113,763 S * 3/1939 Phelps D10/96
D706,658 S * 6/2014 Richenberger D10/96

OTHER PUBLICATIONS

European Union Office Action, issued Dec. 21, 2015, Community Design No. 002906149-0001, filed Dec. 11, 2016, 4 pages.

(Continued)

Primary Examiner — Antoine D Davis

(74) *Attorney, Agent, or Firm* — Morgan Lewis & Bockius LLP

(57) **CLAIM**

An ornamental design for a viscometer, as shown and described.

DESCRIPTION

FIG. 1 is a perspective view of a first embodiment of our new design of a viscometer;

FIG. 2 is a front view of the design of FIG. 1;

FIG. 3 is a rear side view of the design of FIG. 1;

FIG. 4 is a left side view of the design of FIG. 1;

FIG. 5 is a right side view of the design of FIG. 1;

FIG. 6 is a top view of the design of FIG. 1;

FIG. 7 is a bottom view of the design of FIG. 1;

FIG. 8 is a perspective view of a second embodiment of our new design of a viscometer;

FIG. 9 is a front view of the design of FIG. 8;

FIG. 10 is a rear side view of the design of FIG. 8;

FIG. 11 is a left side view of the design of FIG. 8;

FIG. 12 is a right side view of the design of FIG. 8;

FIG. 13 is a top view of FIG. 8;

FIG. 14 is a bottom view of FIG. 8;

FIG. 15 is a reference figure illustrating our new design of a viscometer in an energized state, in which certain words and numbers in the gray area in the drawing are for illustrative purposes only and form no part of the claimed design;

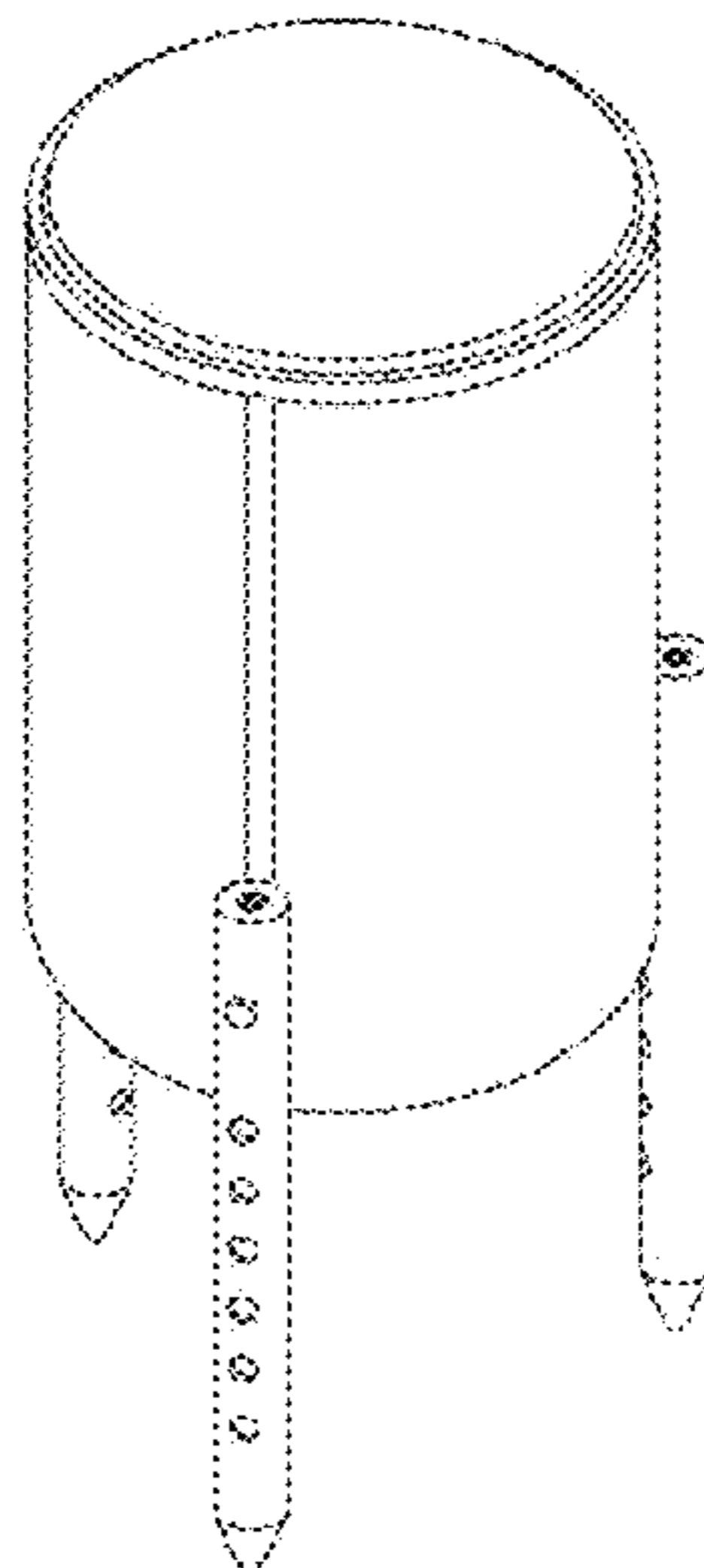
FIG. 16 a reference figure illustrating an bracket portion of our new design of a viscometer in an rotated state; and,

FIG. 17 is a reference figure illustrating our new design of a viscometer in a use state, in which the broken lines indicating liquid for measurement are for illustrative purposes only and form no part of the claimed design.

Unless otherwise noted, the broken lines in the above described FIGS. 1-17 are for illustrative purposes only and form no part of the claimed design.

The viscometer can be used to make an examination needle (measuring shaft) rotate in a sample, measure resistance to the examination needle in the sample by rotary torque, and obtain viscosity of the sample based on the above measurement. As shown in the reference figures, the viscometer can be portably stored since its bracket portion can be rotated.

1 Claim, 10 Drawing Sheets



(58) **Field of Classification Search**

CPC G01N 11/00; G01N 2011/0006; G01N
2011/0013; G01N 2011/002; G01N
2011/0026; G01N 2011/0033; G01N
2011/004; G01N 2011/0046; G01N
2011/0053; G01N 2011/006; G01N
2011/0066; G01N 2011/0073; G01N
2011/008

See application file for complete search history.

(56) **References Cited**

OTHER PUBLICATIONS

Japanese Office Action issued May 10, 2016, Application No.
2015-016578, filed Jul. 24, 2015, 2 pages (with English-language
translation).

Korean Office Action, issued Jul. 6, 2016. Design Application No.
30/2015-0065686, 3 pages (with English-language translation).

* cited by examiner

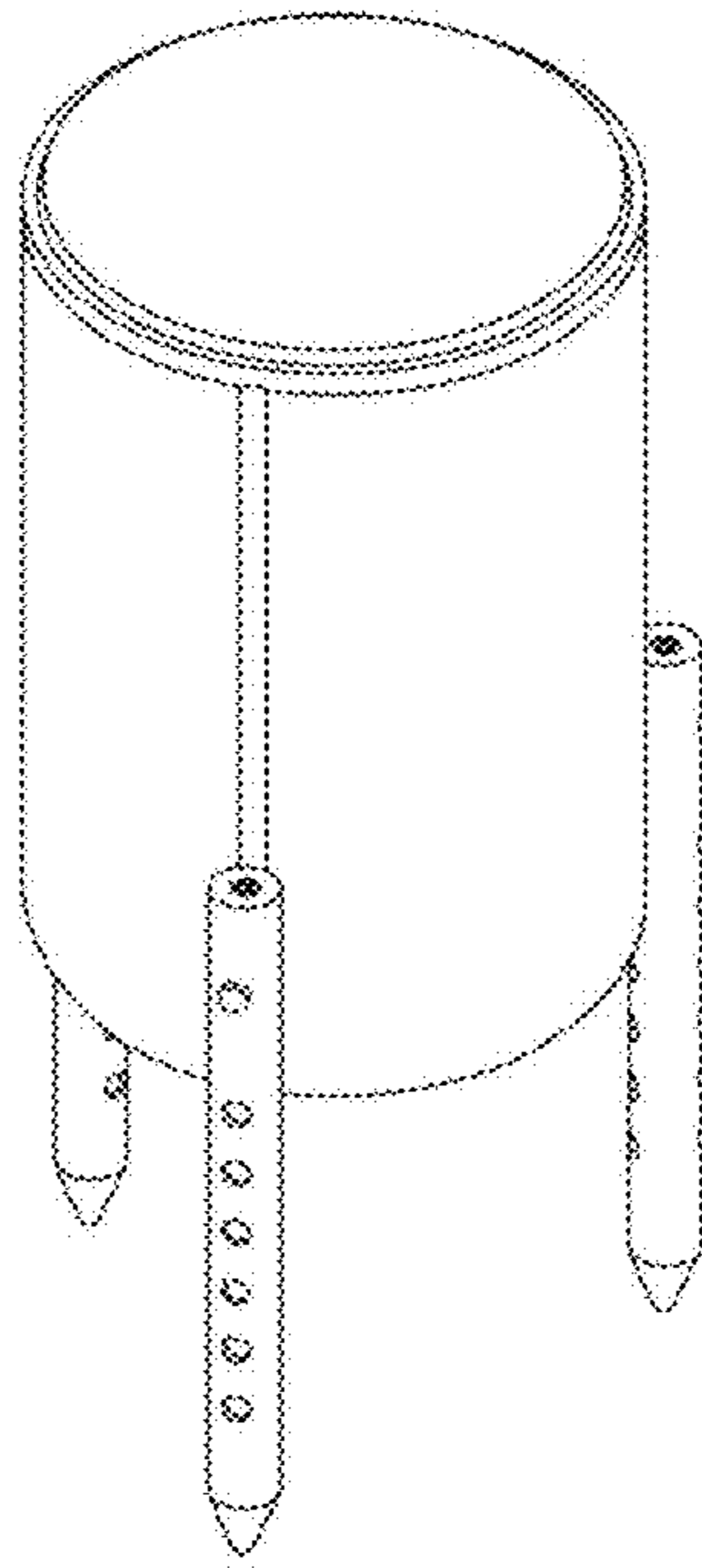


Figure 1

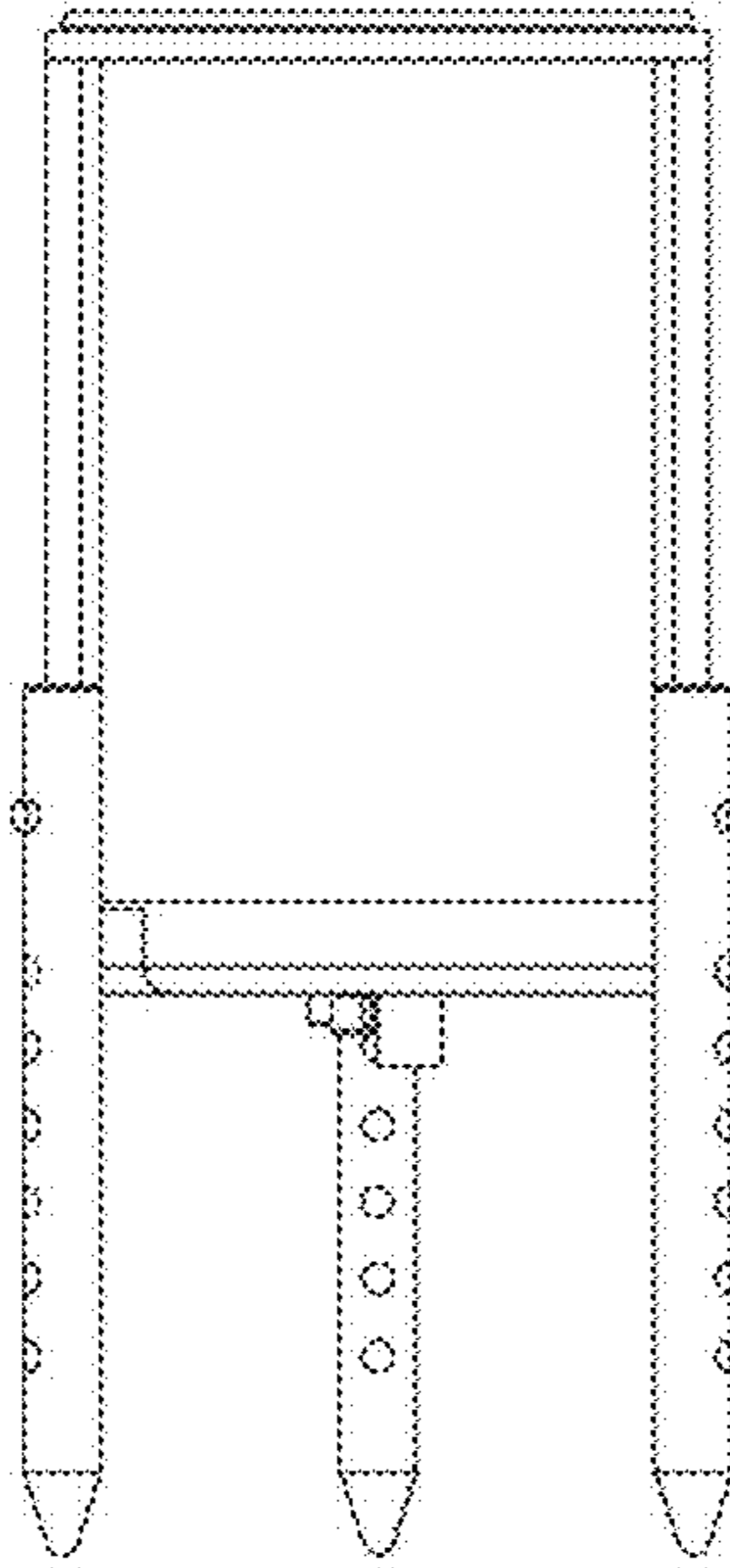


Figure 2

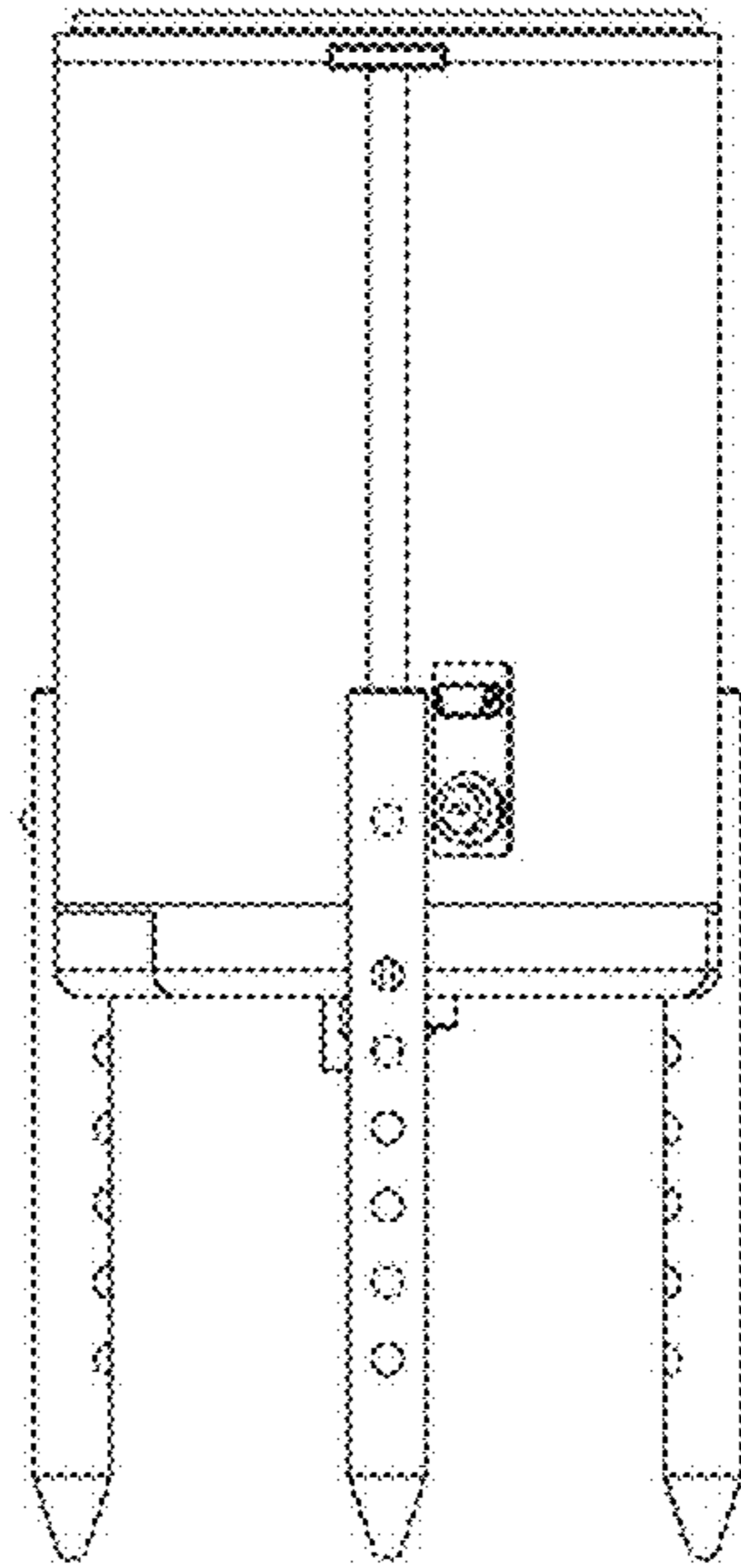


Figure 3

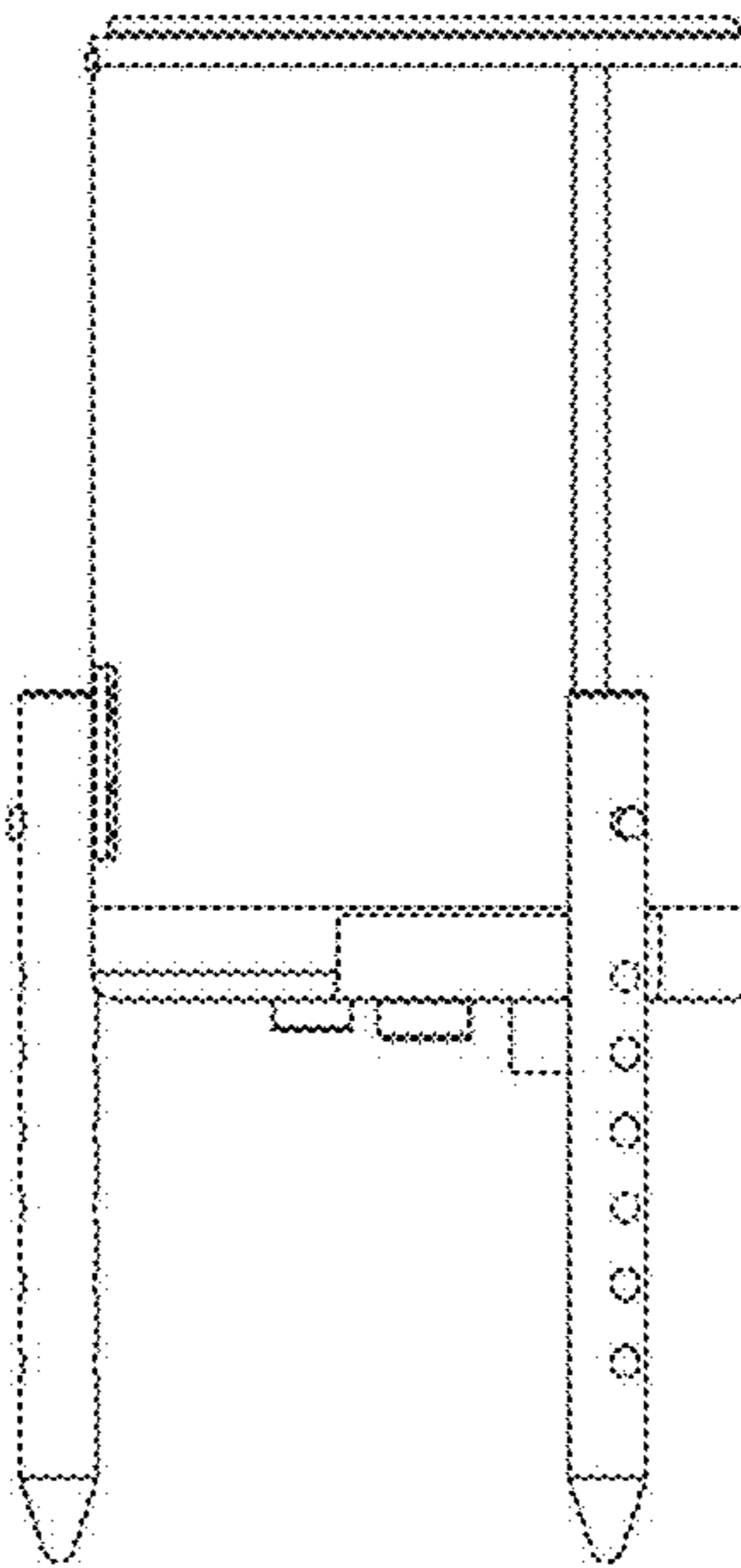


Figure 4

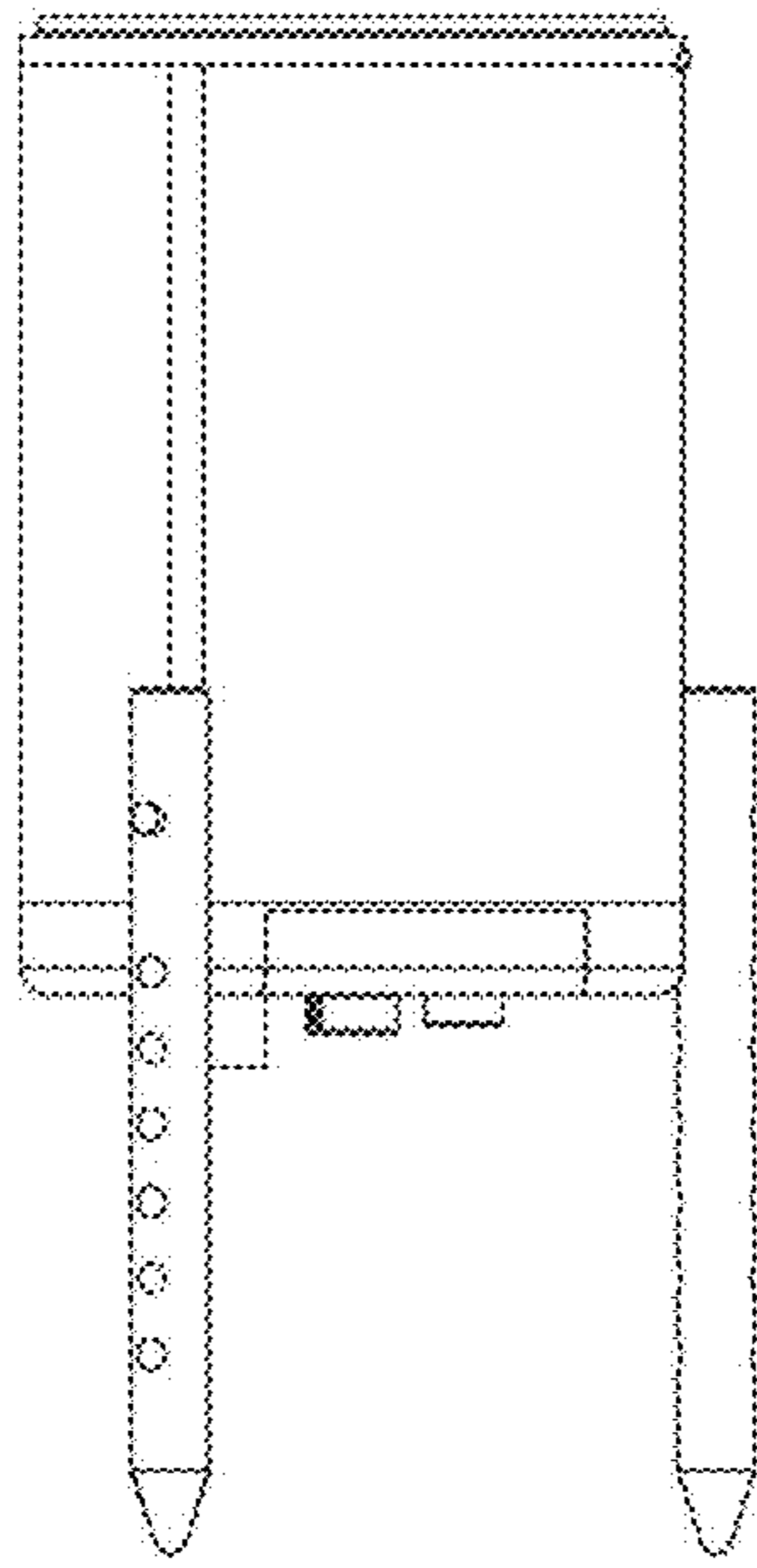


Figure 5

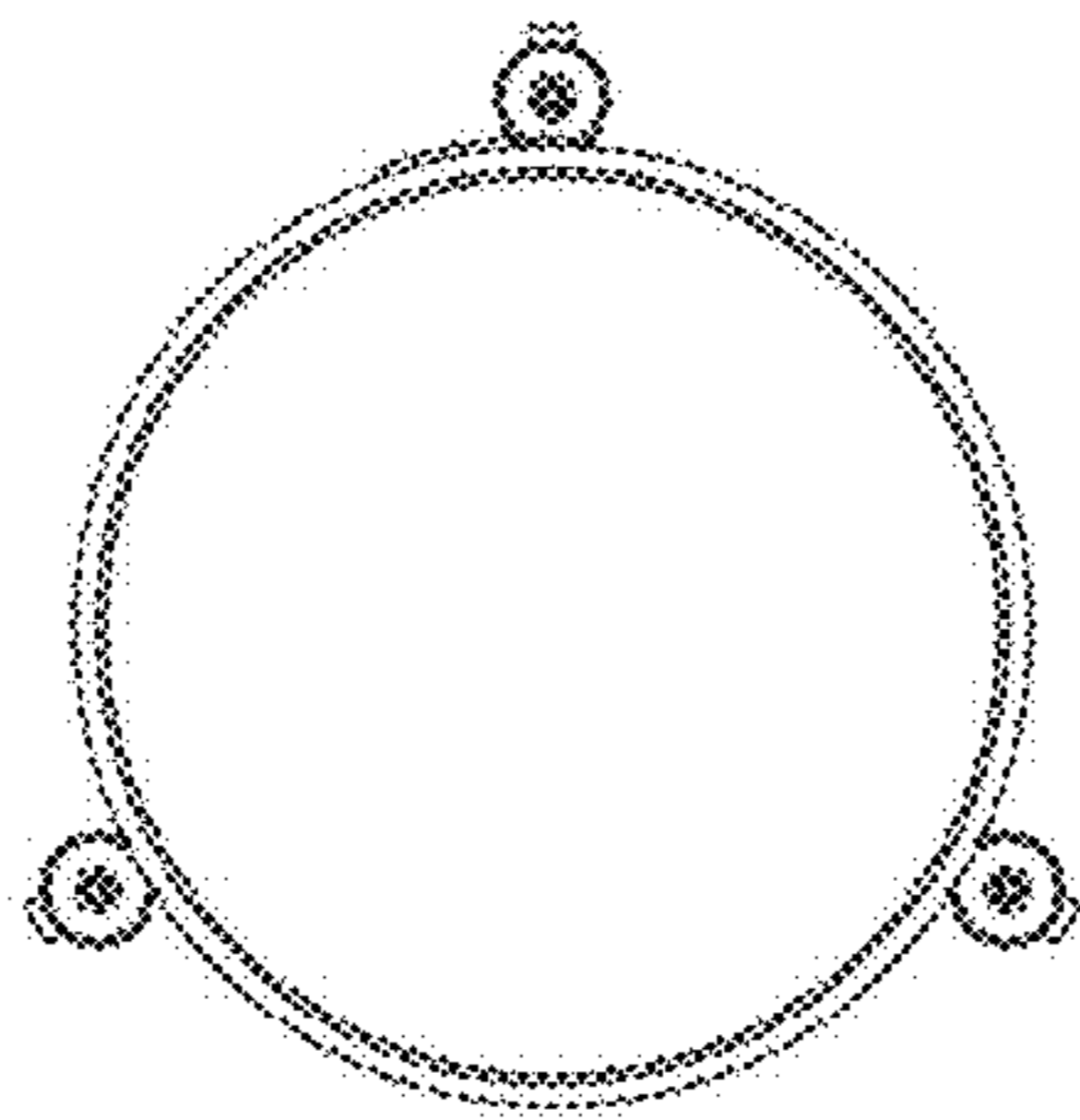


FIG. 6

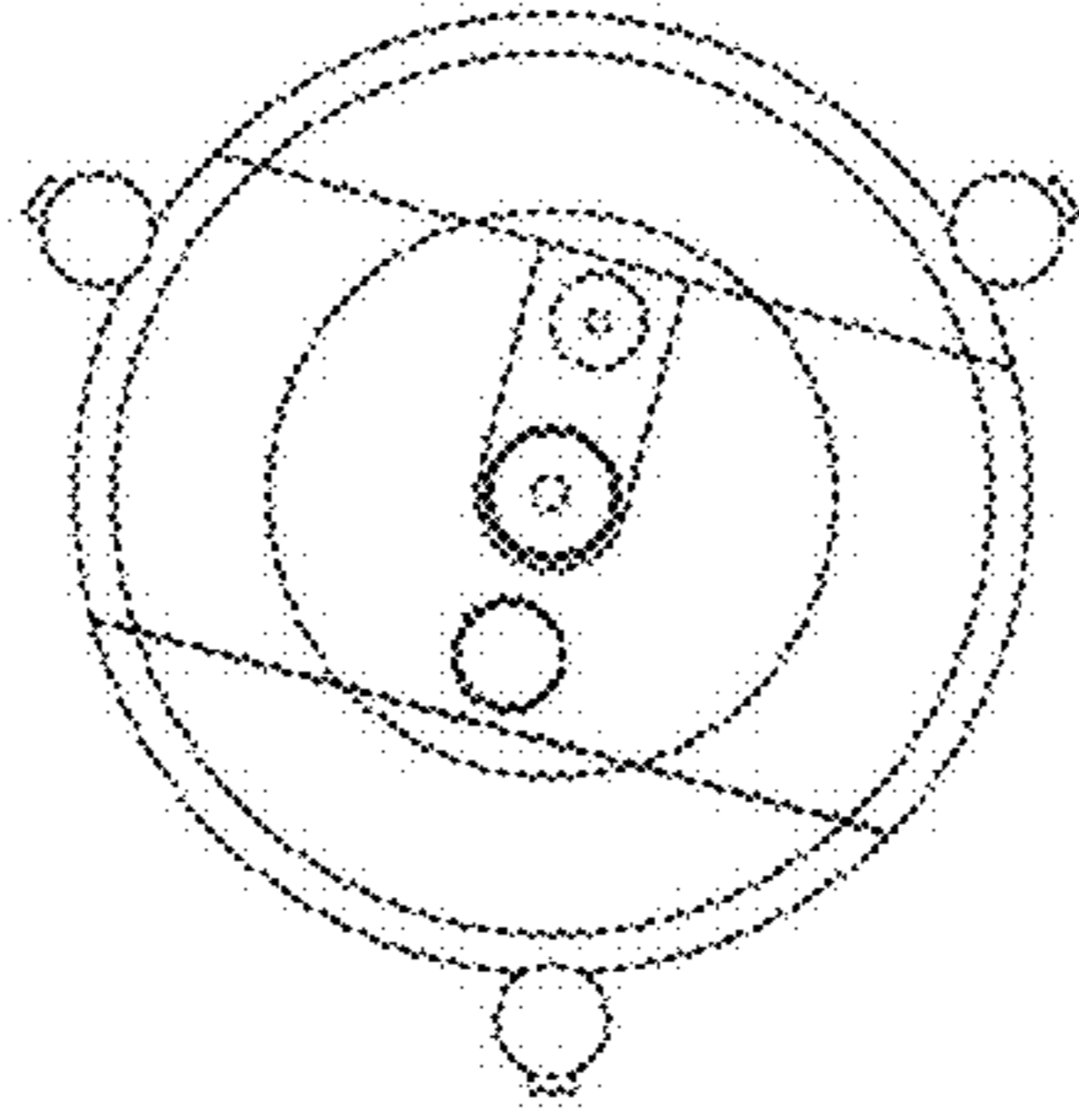


Figure 7

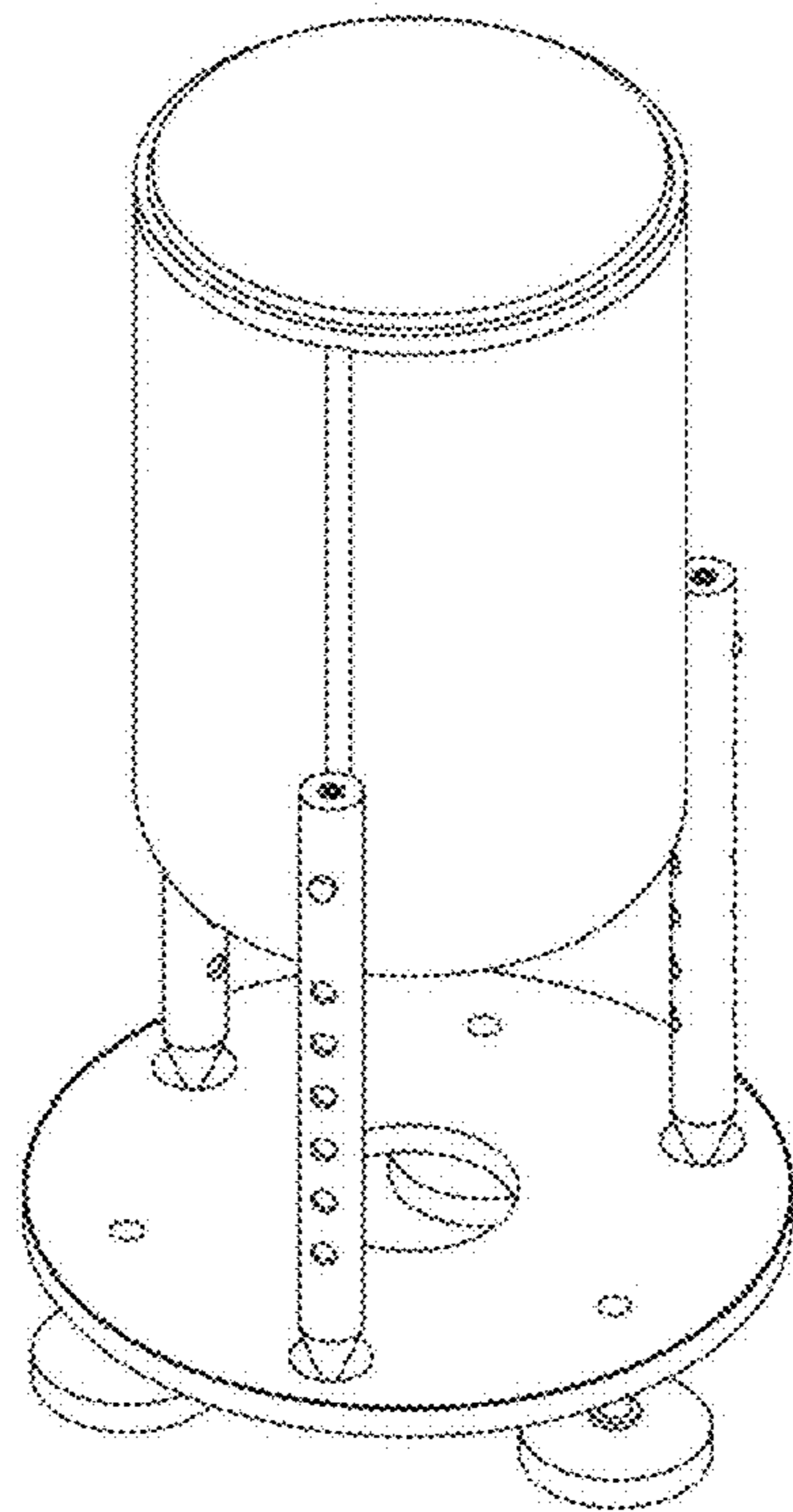


Figure 8

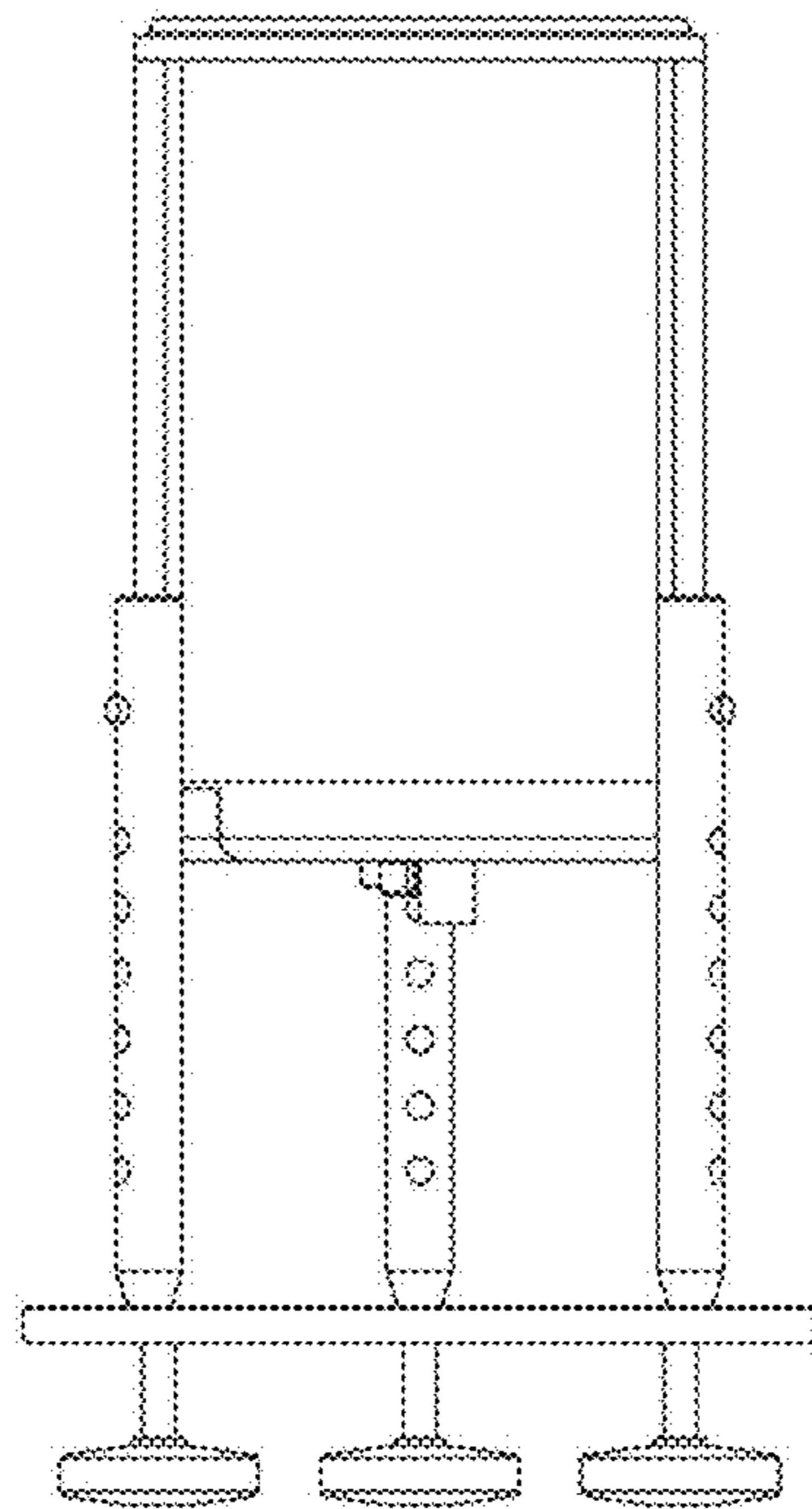


Figure 9

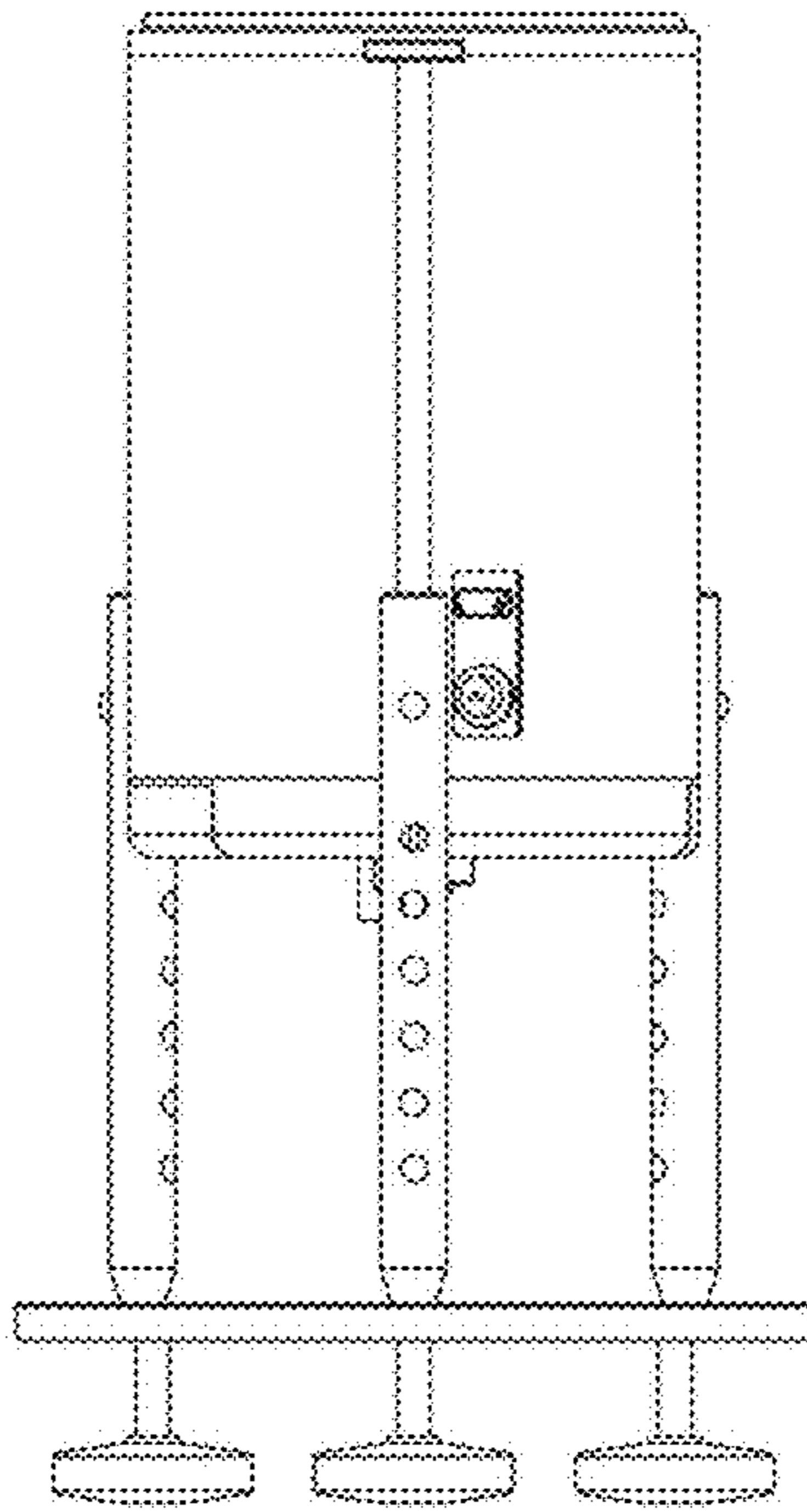


Figure 10

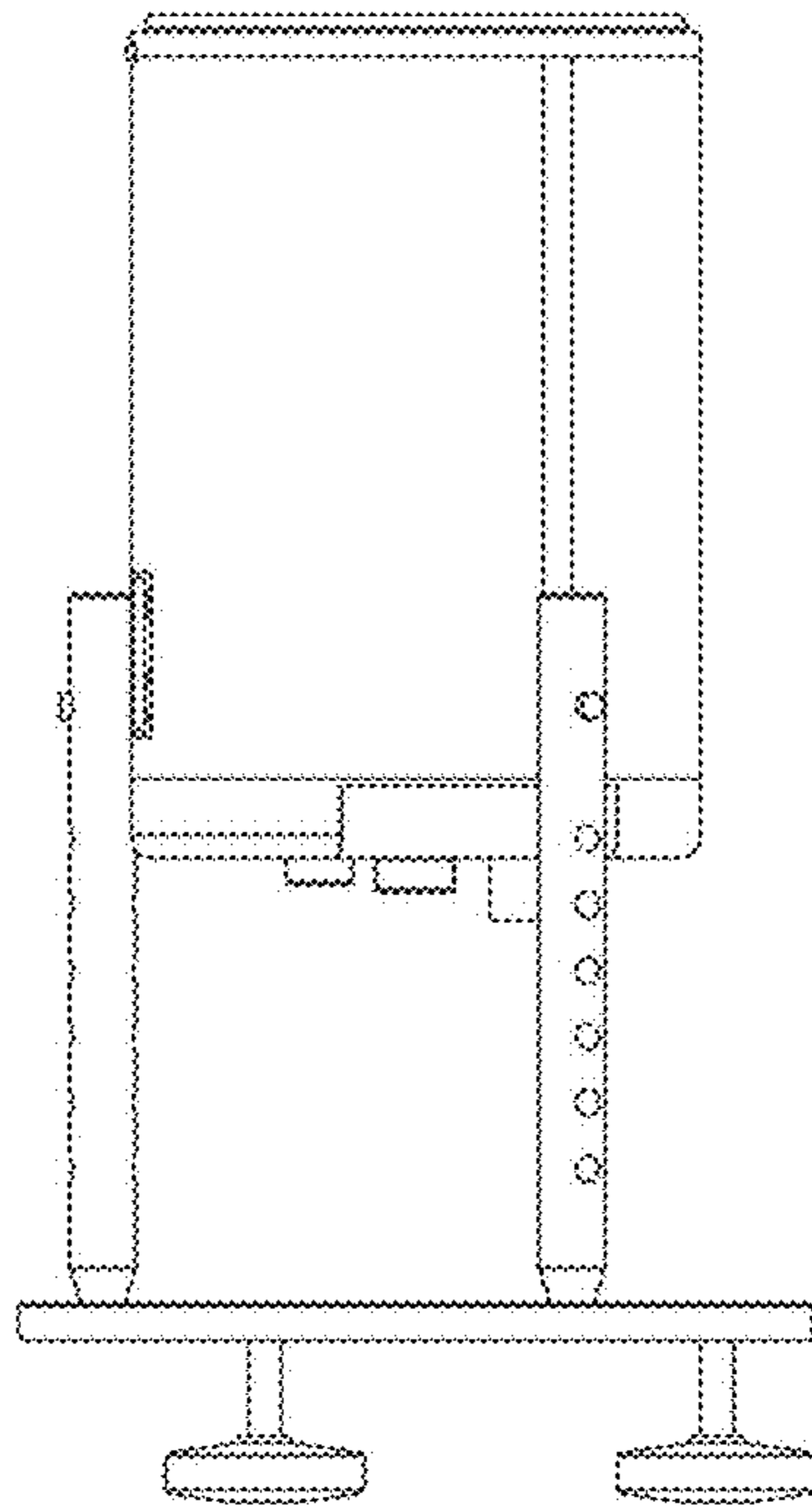


Figure 11

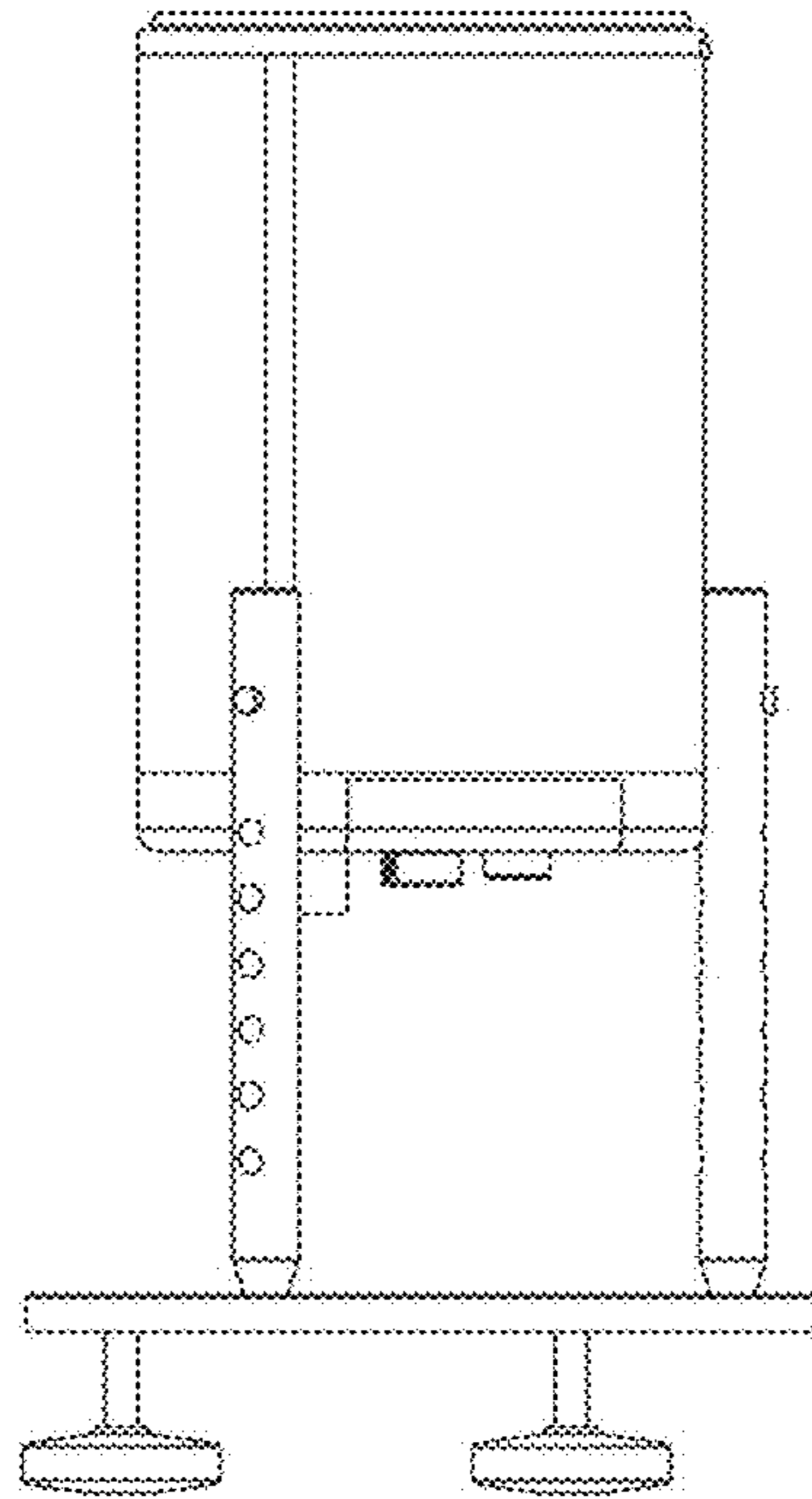


Figure 12

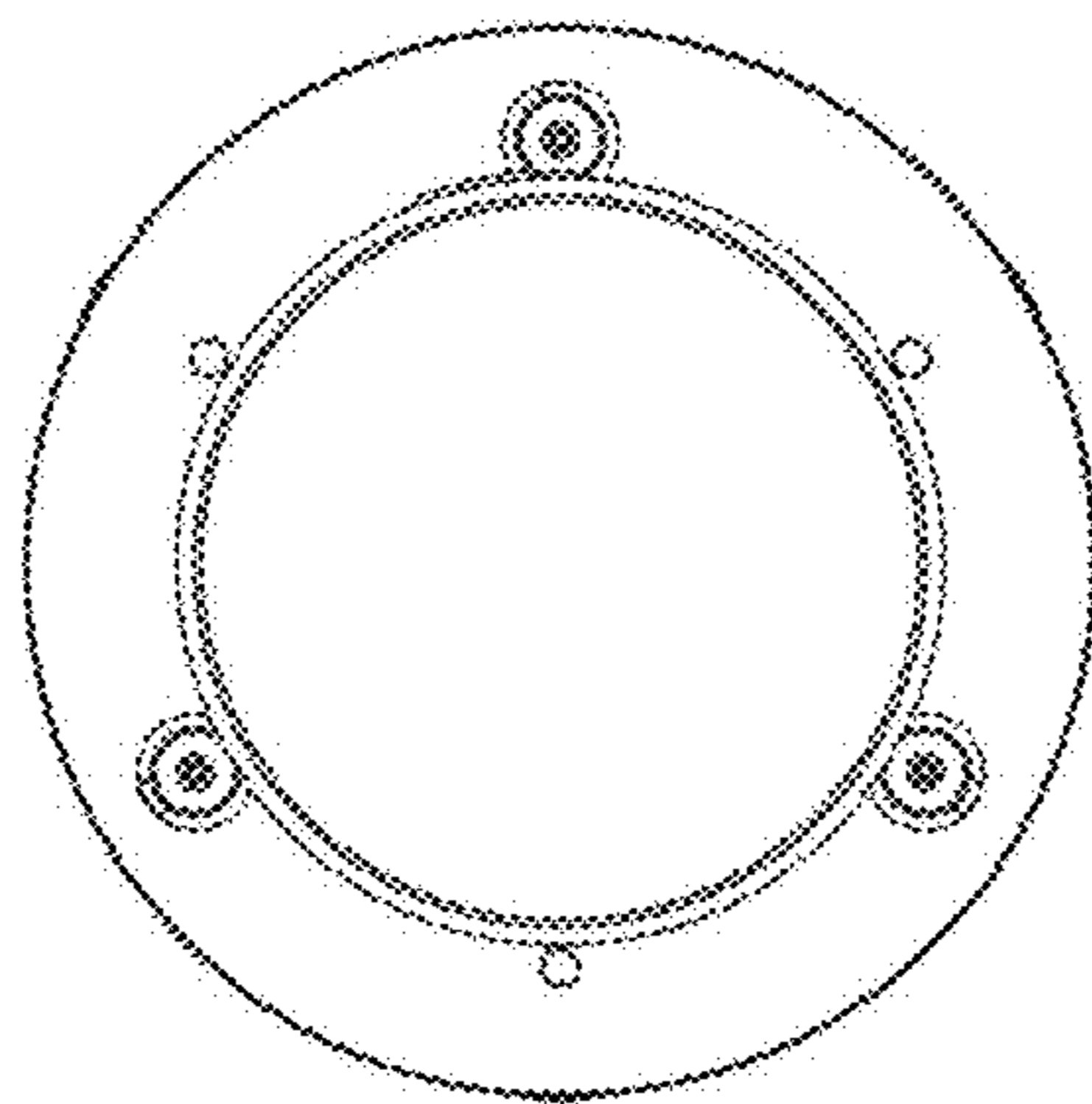


Figure 13

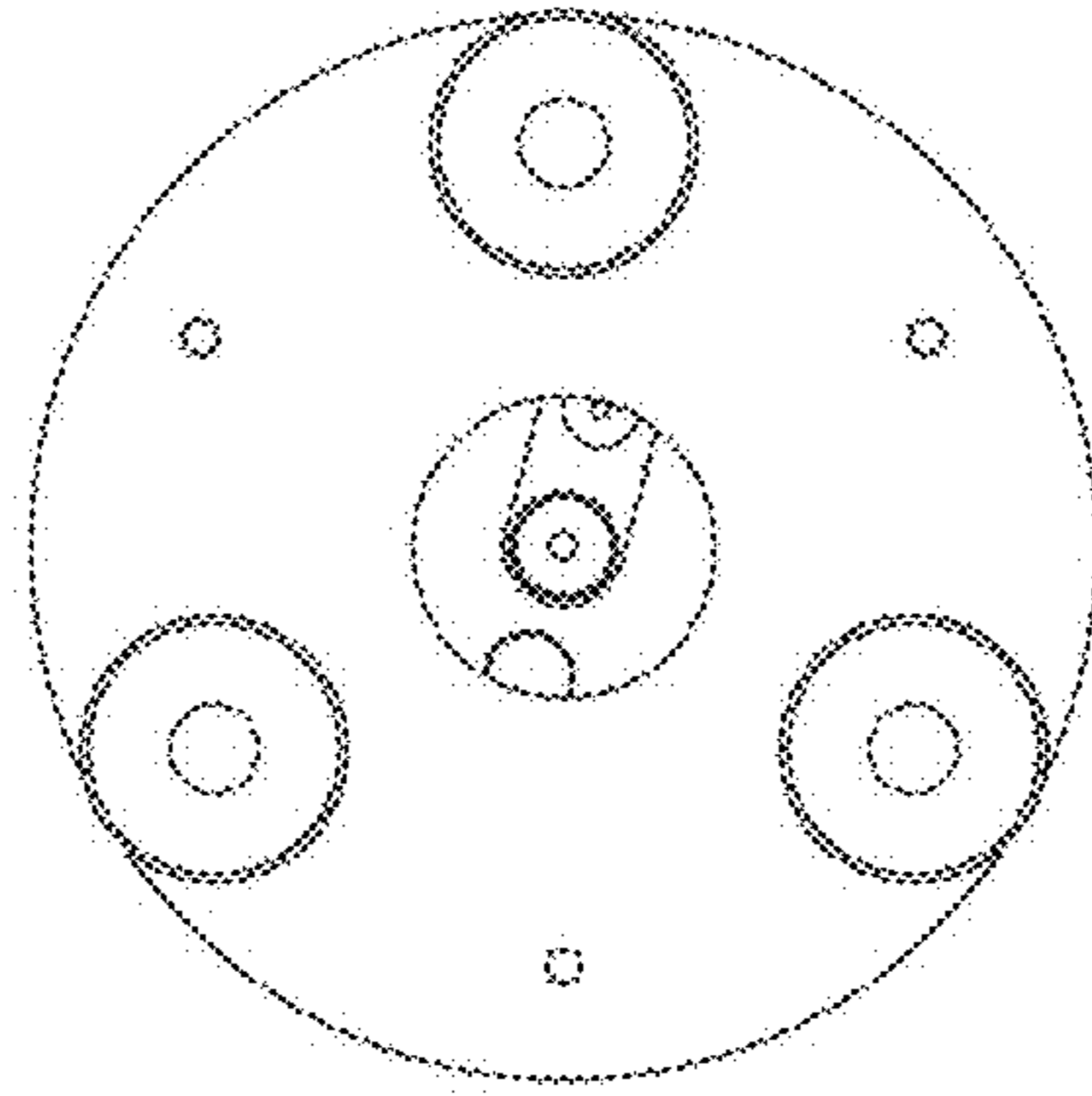


Figure 14

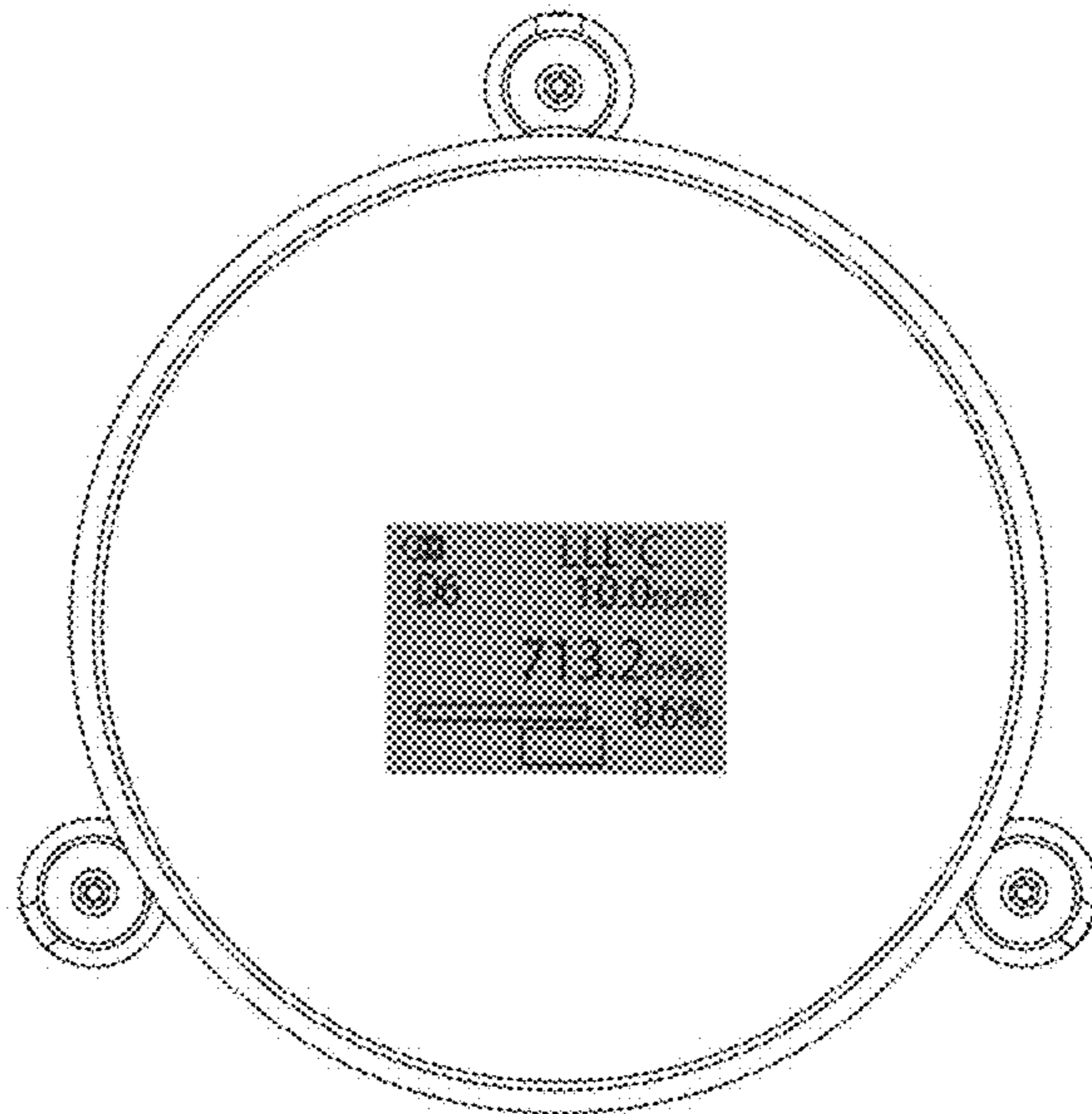


Figure 15

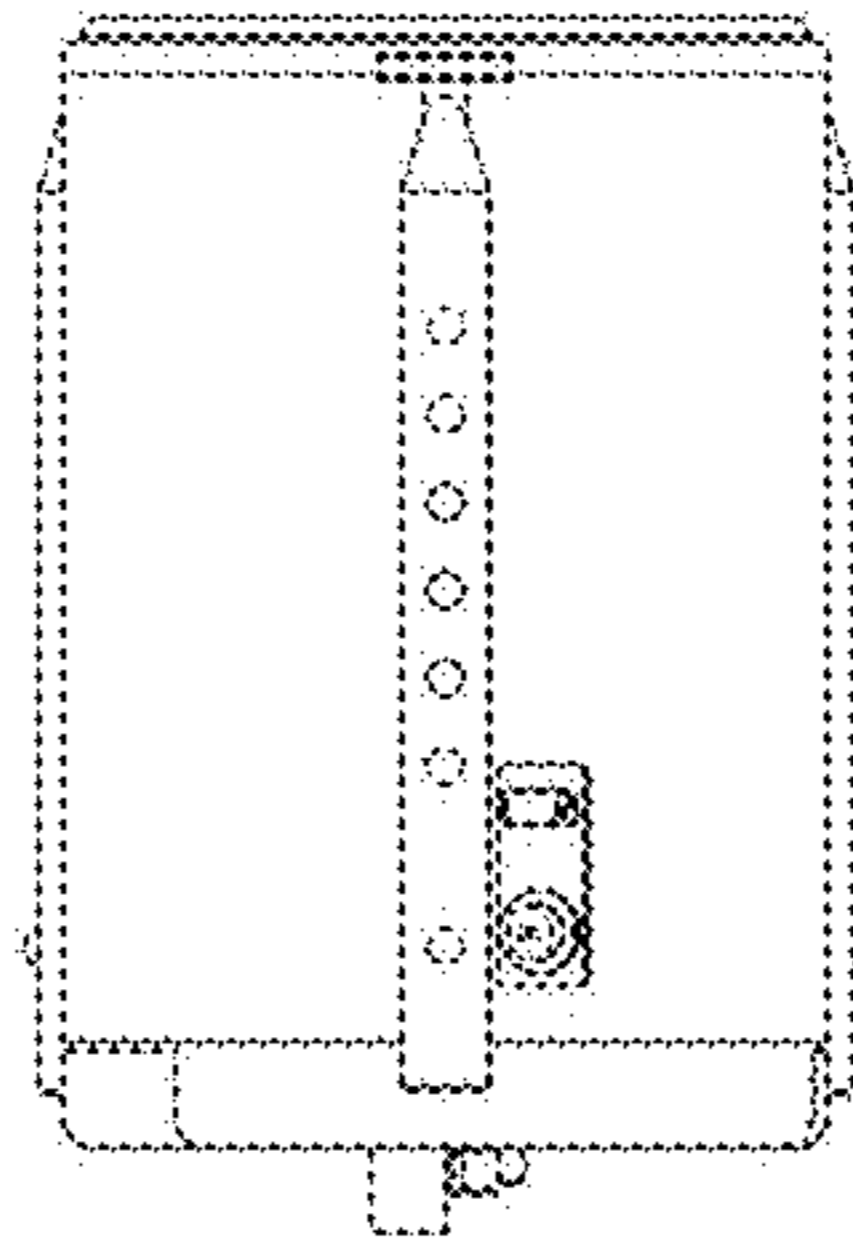


Figure 16

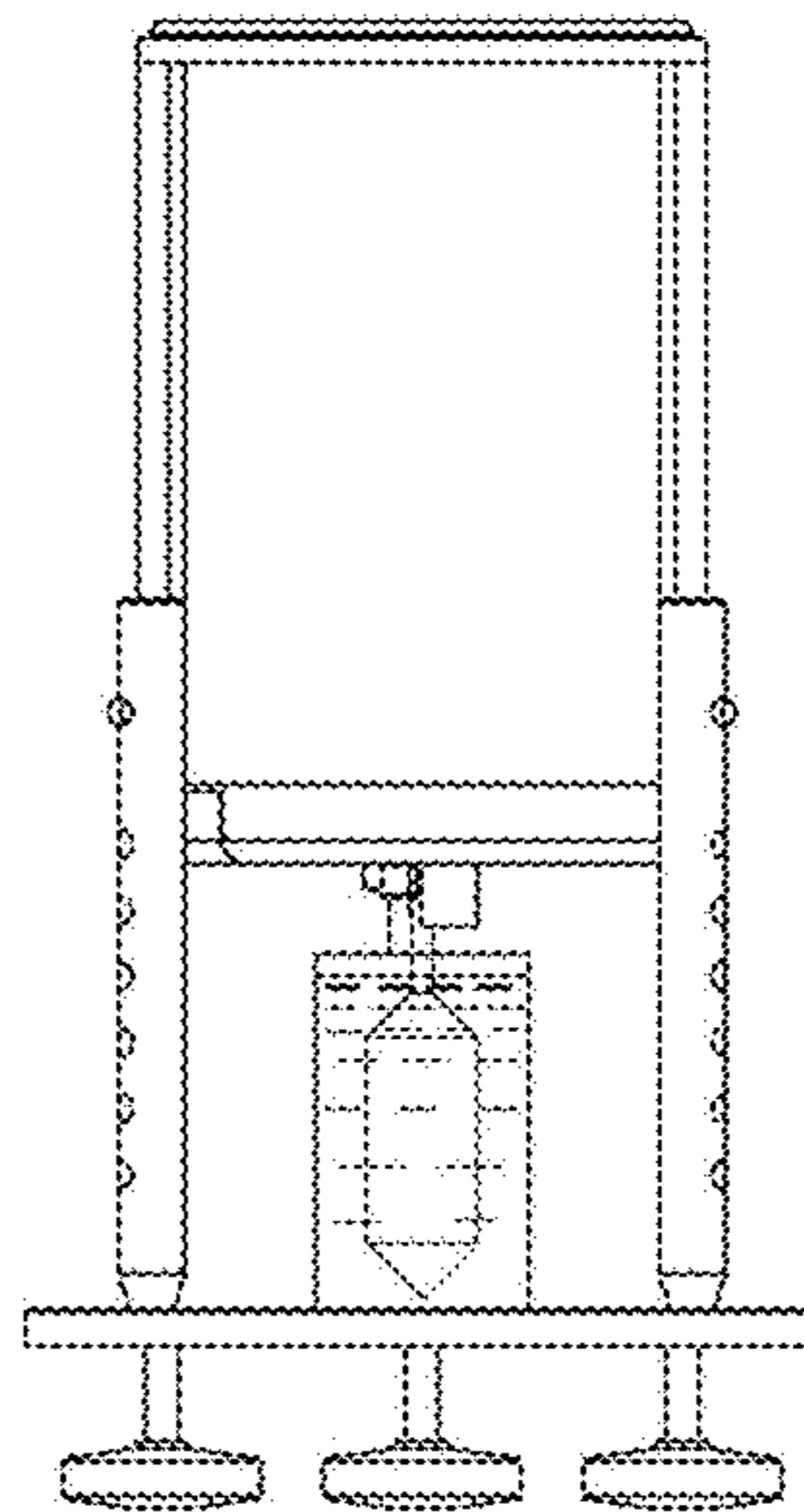


Figure 17