



US00D796360S

(12) **United States Design Patent** (10) **Patent No.:** **US D796,360 S**
Schulz et al. (45) **Date of Patent:** **** Sep. 5, 2017**

- (54) **HOUSING FOR A MATERIAL TESTING MACHINE**
- (71) Applicant: **MTS Systems Corporation**, Eden Prairie, MN (US)
- (72) Inventors: **Bradley D. Schulz**, Savage, MN (US); **Paul M. Krueger**, Maple Grove, MN (US); **Mark W. Schulz**, Minneapolis, MN (US); **Serge Dubeau**, Plymouth, MN (US)
- (73) Assignee: **MTS Systems Corporation**, Eden Prairie, MN (US)
- (**) Term: **15 Years**
- (21) Appl. No.: **29/573,609**
- (22) Filed: **Aug. 8, 2016**

Related U.S. Application Data

- (62) Division of application No. 29/521,075, filed on Mar. 19, 2015, now Pat. No. Des. 763,109, which is a division of application No. 29/465,727, filed on Aug. 30, 2013, now Pat. No. Des. 728,401, which is a division of application No. 29/422,376, filed on May 18, 2012, now Pat. No. Des. 691,501.
- (51) **LOC (10) Cl.** **10-04**
- (52) **U.S. Cl.**
USPC **D10/83**
- (58) **Field of Classification Search**
USPC D10/83; D15/122
CPC G01N 3/062; G01N 3/08; G01N 3/00; G01N 3/02; G01N 3/24; G01N 3/38; G01N 3/18; G01N 3/62; G01N 2203/0282; G01N 2203/0037; G01N 2203/0278; G01N 2203/0016; G01N 2203/0222; G01N 2203/0411; G01N 2203/0256; G01N 2203/0285
- See application file for complete search history.

(56) **References Cited**
U.S. PATENT DOCUMENTS

- D250,514 S 12/1978 Etchison
D283,599 S 4/1986 Biddle et al.
(Continued)

OTHER PUBLICATIONS

Bose, Testing and Characterization Capabilities for Engineered Materials, copyright 2010.
(Continued)

Primary Examiner — Antoine D Davis
(74) *Attorney, Agent, or Firm* — Steven M. Koehler; Westman, Champlin & Koehler, P.A.

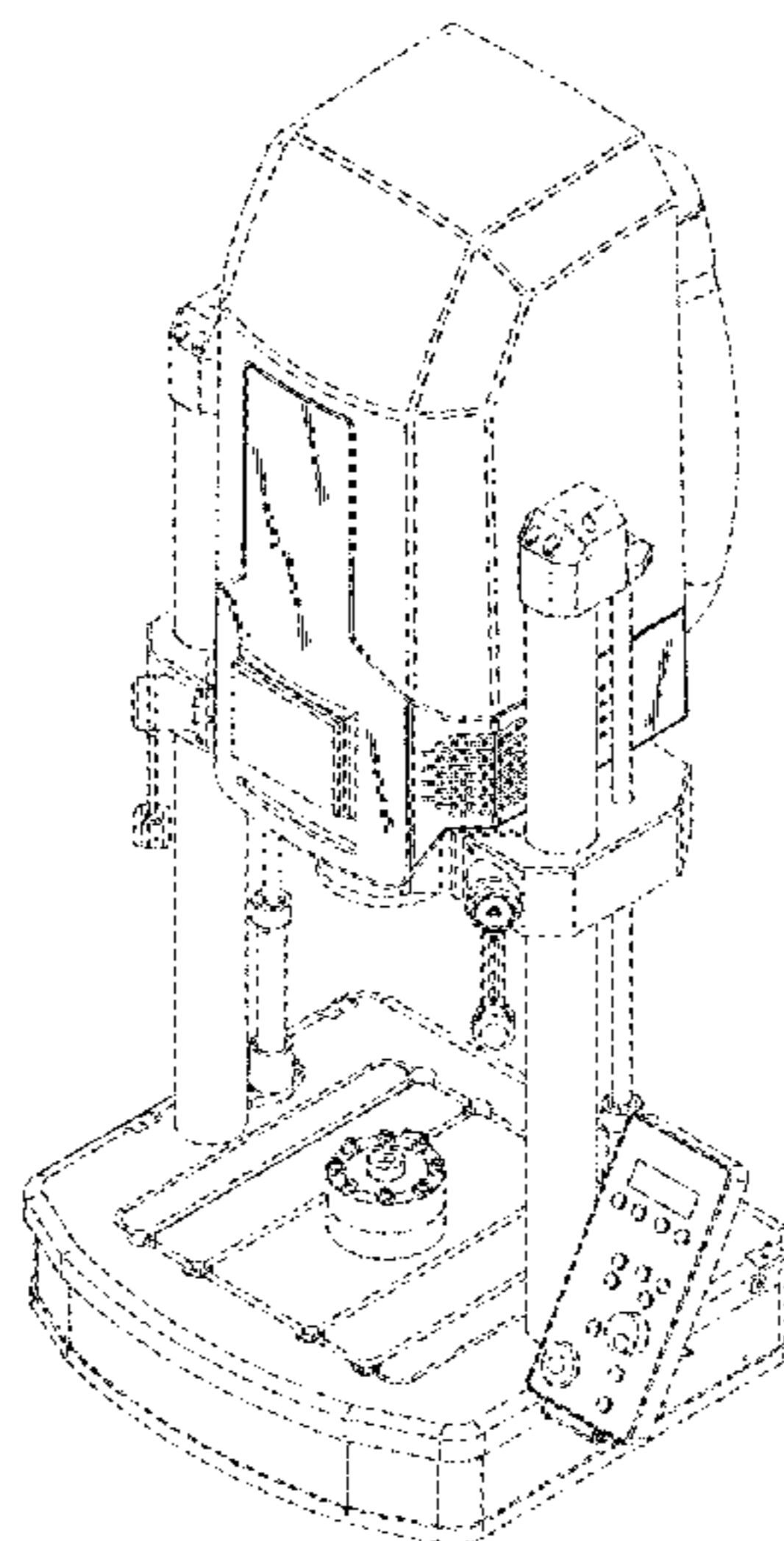
(57) **CLAIM**

The ornamental design for a housing for a material testing machine, as shown and described.

DESCRIPTION

FIG. 1 is a perspective view of an embodiment of the housing for a material testing machine in the context of an exemplary environment.
FIG. 2 is perspective view of the housing for a material testing machine illustrated in FIG. 1.
FIG. 3 is a front view of the housing for a material testing machine illustrated in FIG. 1.
FIG. 4 is a rear view of the housing for a material testing machine illustrated in FIG. 1.
FIG. 5 is a left side view of the housing for a material testing machine illustrated in FIG. 1.
FIG. 6 is a right side view of the housing for a material testing machine illustrated in FIG. 1; and,
FIG. 7 is a top view of the housing for a material testing machine illustrated in FIG. 1.
The bottom views of each embodiment are not claimed. The dashed or dotted lines form no part of the claimed design.

1 Claim, 3 Drawing Sheets



(56)

References Cited

U.S. PATENT DOCUMENTS

D351,809	S	10/1994	Nunes	
D394,015	S	5/1998	Kellstedt, Jr. et al.	
5,939,642	A	8/1999	King et al.	
8,001,845	B2	8/2011	Caulfield	
D691,501	S	10/2013	Schulz	
8,763,470	B2	7/2014	Abelev	
9,239,236	B2 *	1/2016	Griess	G01N 3/08
9,366,692	B2 *	6/2016	White	G01N 3/08
2005/0011275	A1	1/2005	Ferguson et al.	
2007/0107534	A1	5/2007	Lemmer et al.	
2008/0223145	A1	9/2008	Merendino	
2009/0199663	A1	8/2009	Kaneda	

OTHER PUBLICATIONS

Instron, ElectroPuls(tm), All Electric Dynamic Test Systems, copyright 2009.

Instron, Industrial Series KPX Models, copyright 2011.

Instron, Industrial Series KX Models, copyright 2012.

Bose, ElectroForce(R) Test Instruments, copyright 2012.

ElectroForce(R), 3100 Test Instrument, Performance and Durability in a Compact Package, copyright 2012.

* cited by examiner

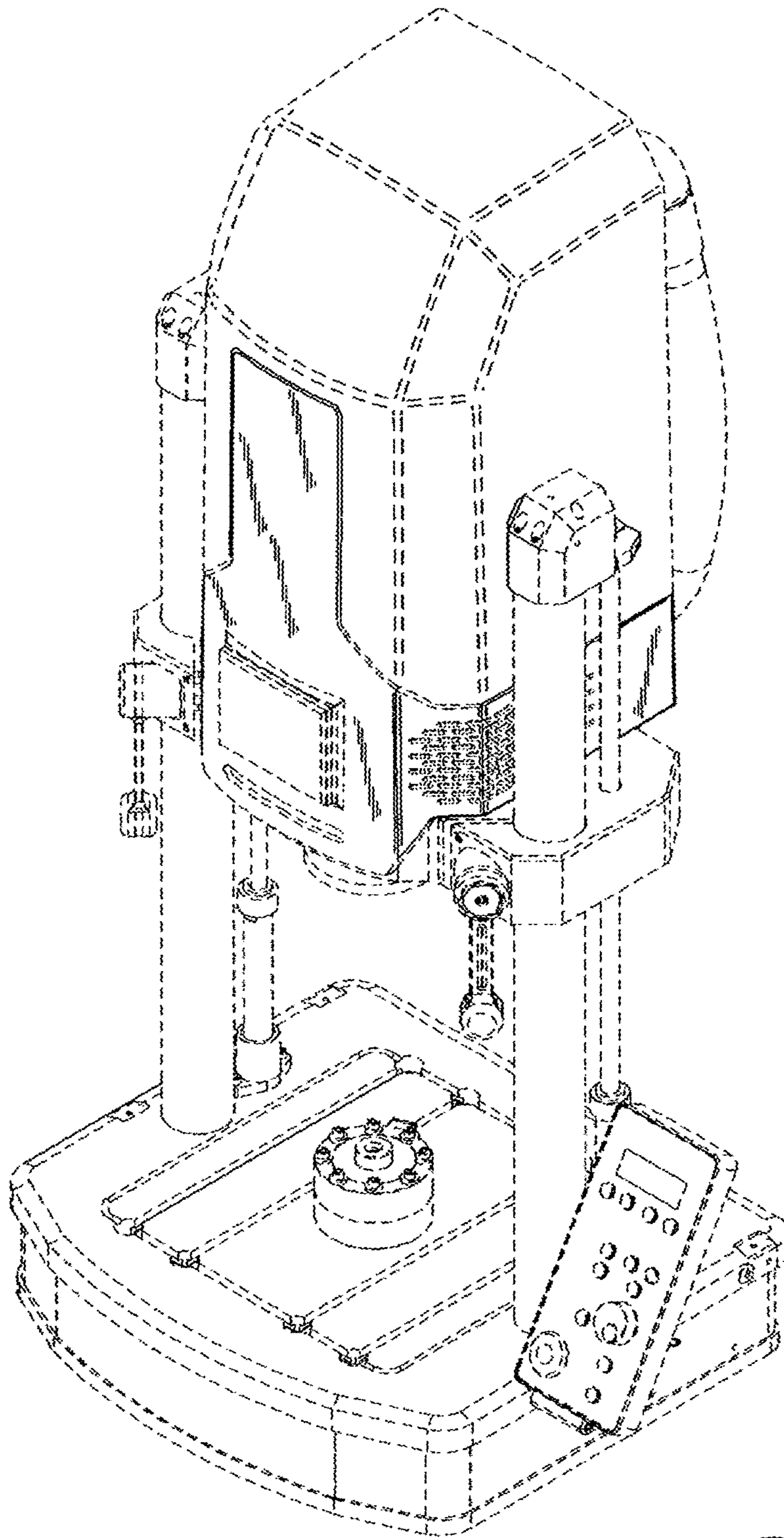


FIG. 1

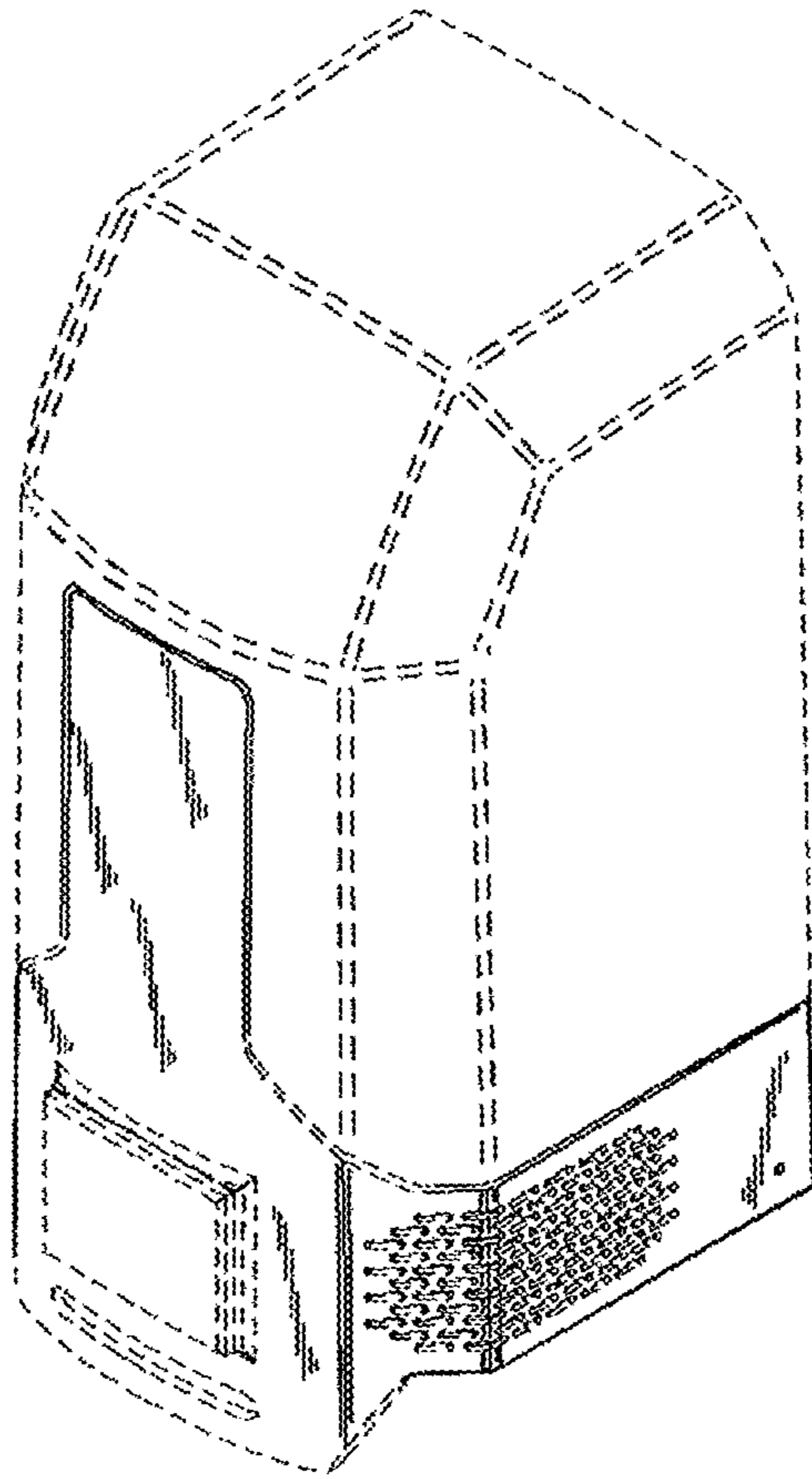


FIG. 2

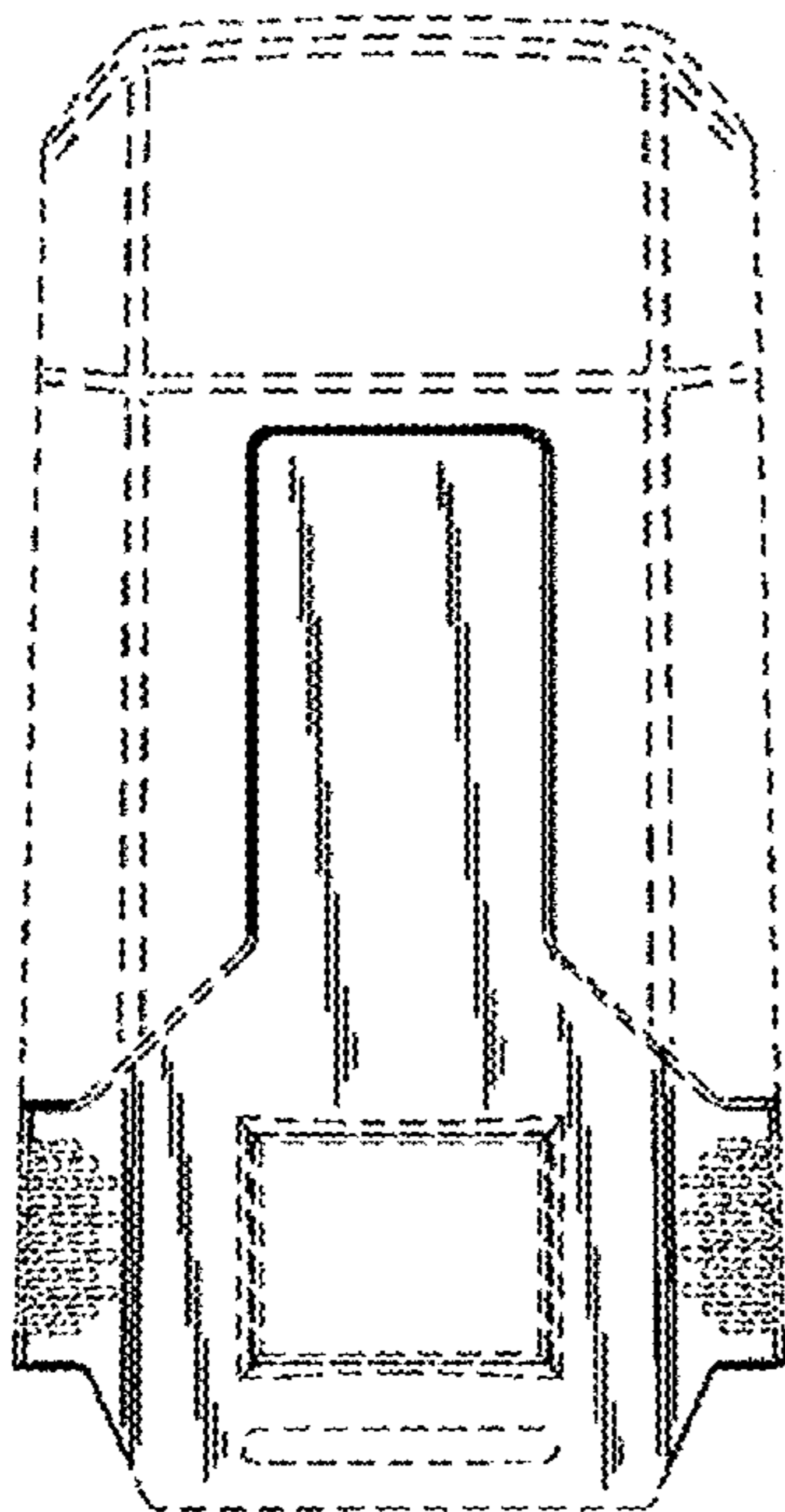


FIG. 3

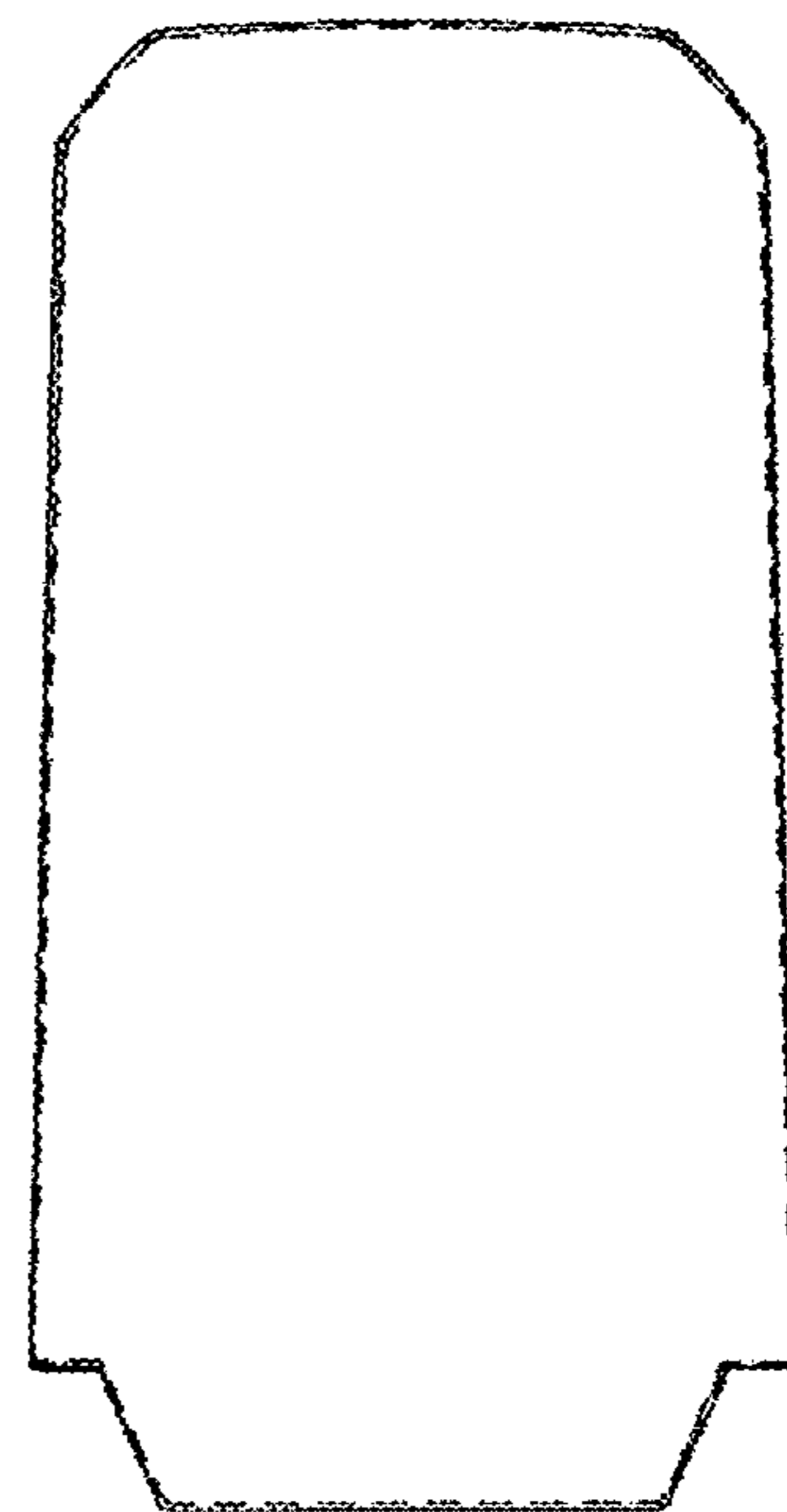


FIG. 4

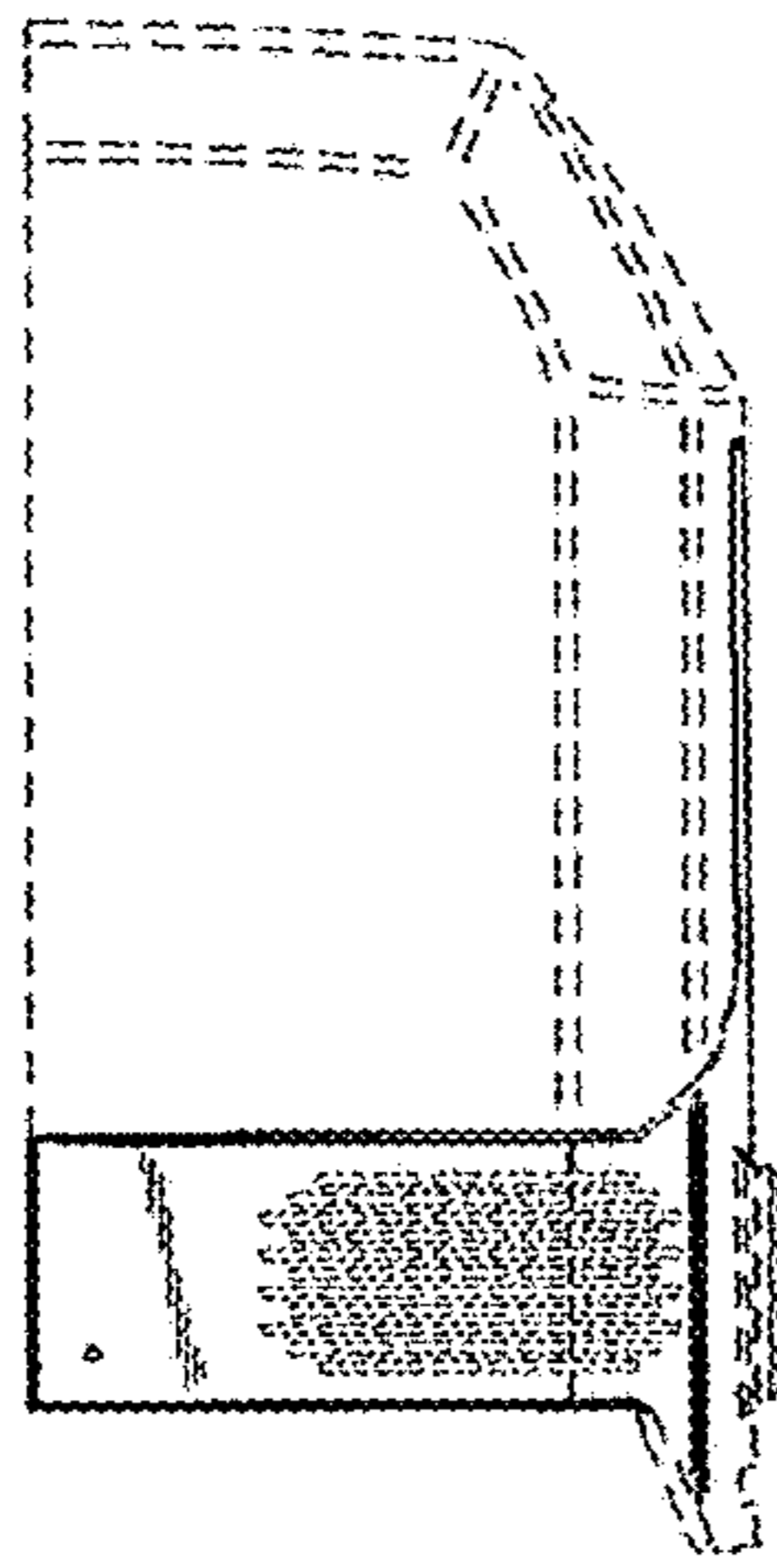


FIG. 5

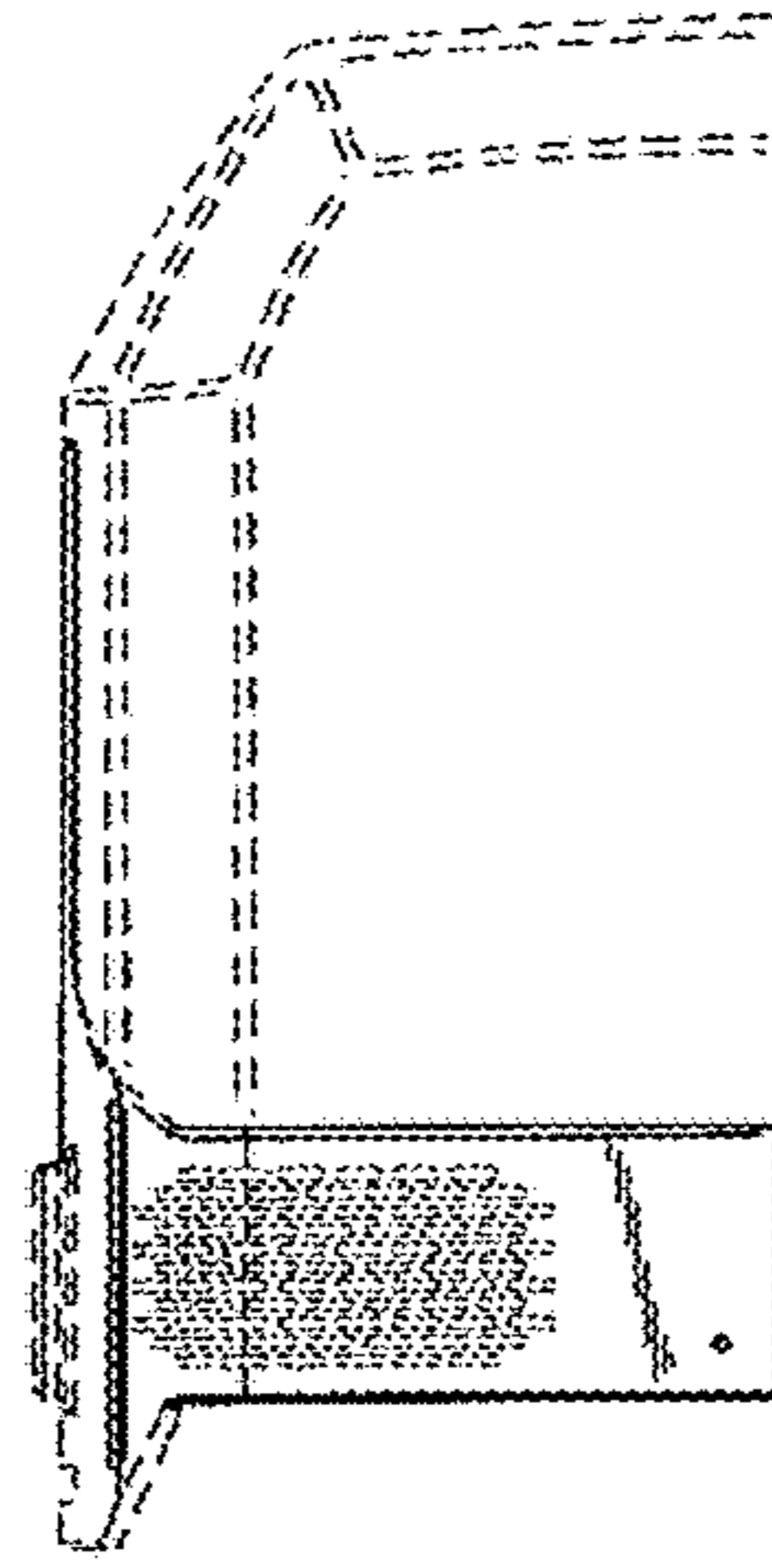


FIG. 6

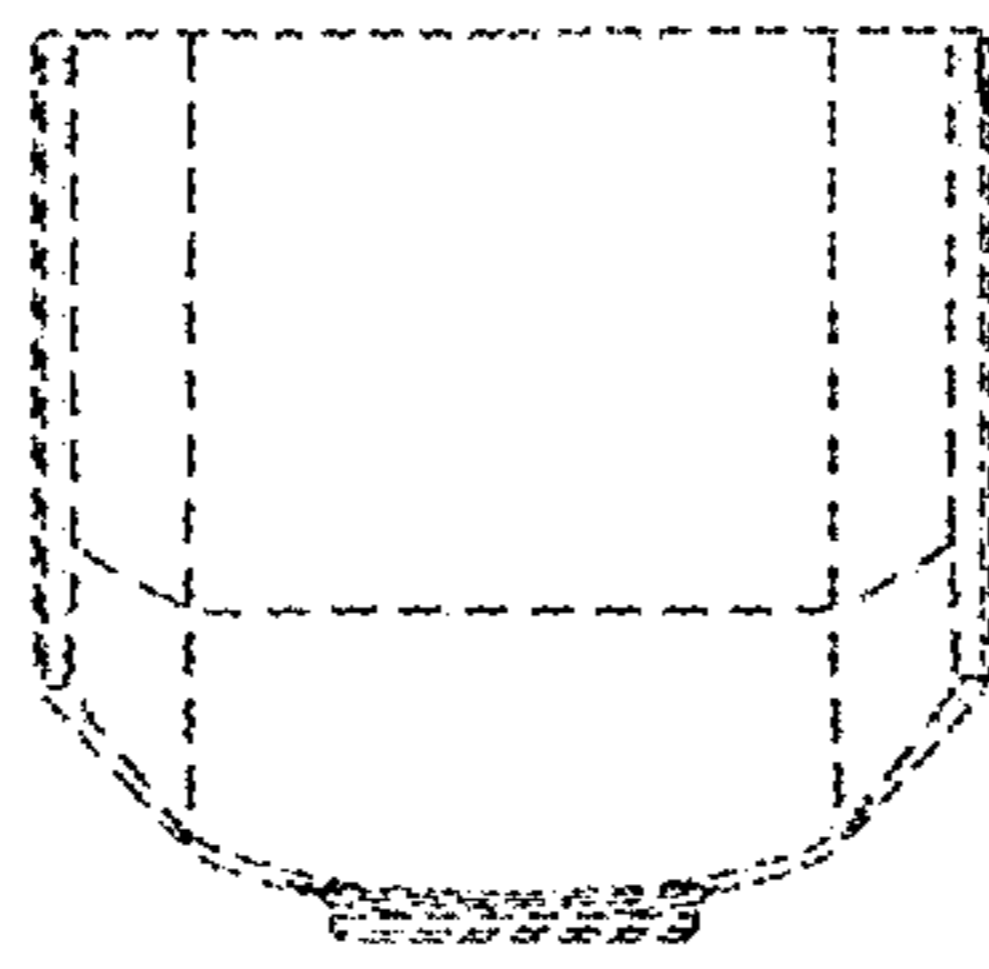


FIG. 7