



US00D796359S

(12) **United States Design Patent**
White et al.

(10) **Patent No.:** **US D796,359 S**
(45) **Date of Patent:** **** Sep. 5, 2017**

(54) **MINIATURE SPECTROMETER CASE**
(71) Applicant: **OCEAN OPTICS, INC.**, Dunedin, FL (US)
(72) Inventors: **Kenneth D. White**, Cocoa, FL (US);
Reeder N. Ward, Melbourne, FL (US)
(73) Assignee: **Ocean Optics, Inc.**, Dunedin, FL (US)
(**) Term: **15 Years**
(21) Appl. No.: **29/555,653**
(22) Filed: **Feb. 24, 2016**
(51) **LOC (10) Cl.** **10-04**
(52) **U.S. Cl.**
USPC **D10/81; D24/216**
(58) **Field of Classification Search**
USPC D10/81; D24/216
CPC G01J 3/00; G01J 3/0202; G01J 3/0205;
G01J 3/0208; G01J 3/021; G01J 3/0213;
G01J 3/0216; G01J 3/0218; G01J 3/0221;
G01J 3/0224; G01J 3/0227; G01J 3/0229;
G01J 3/0232; G01J 3/0235; G01J 3/0237;
G01J 3/024; G01J 3/0243
See application file for complete search history.

2010/0315634 A1* 12/2010 Shibayama G01J 3/02
356/326
2012/0092665 A1* 4/2012 Vahey G01J 3/0289
356/326
2016/0245694 A1* 8/2016 White G01J 3/0202
* cited by examiner

Primary Examiner — Antoine D Davis
(74) *Attorney, Agent, or Firm* — Dennis L. Cook, Esq.

(57) **CLAIM**

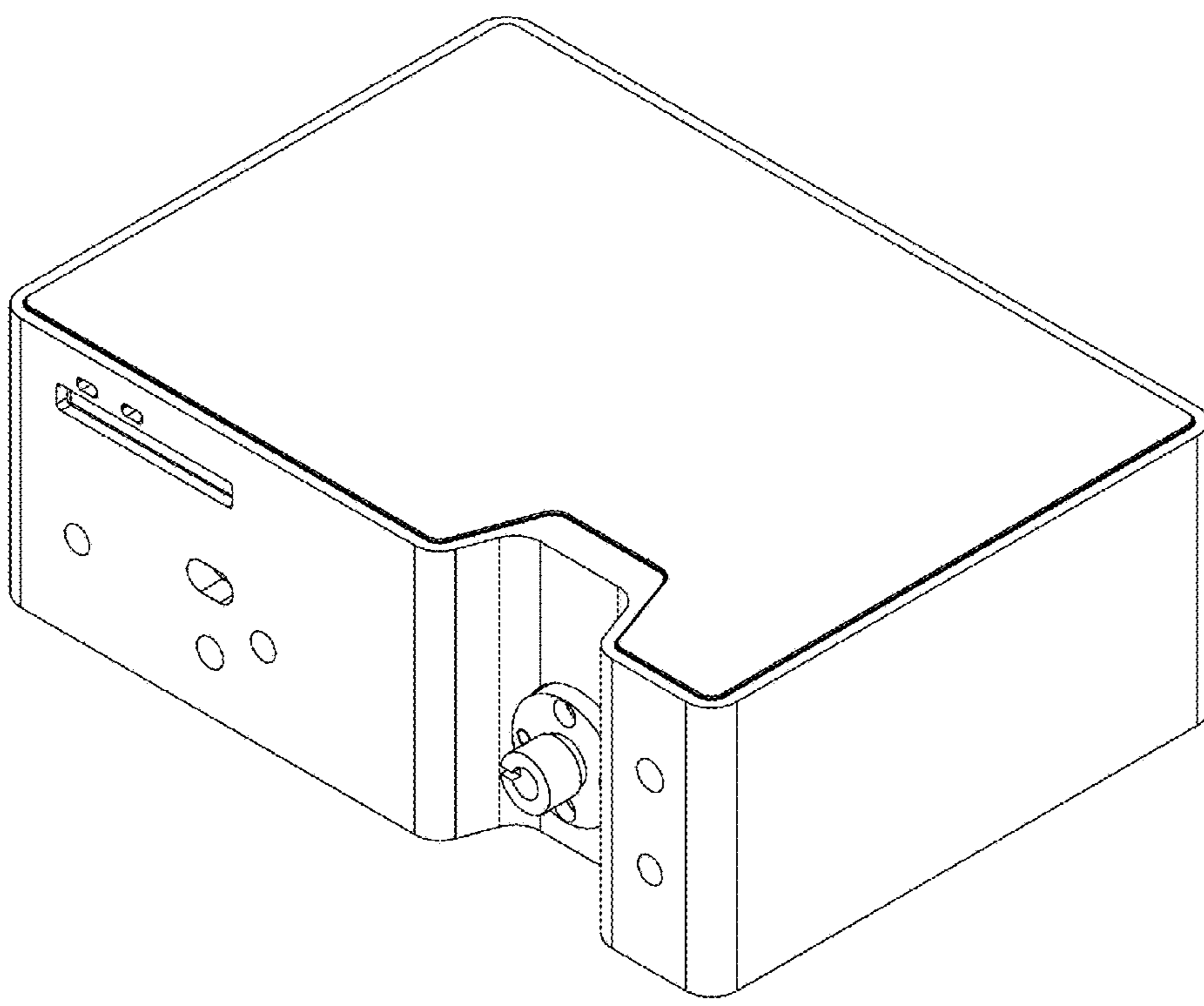
The ornamental design for a miniature spectrometer case, as shown and described.

DESCRIPTION

FIG. 1 is a perspective view of a miniature spectrometer case showing my new design;
FIG. 2 is a top view of a miniature spectrometer case showing my new design;
FIG. 3 is a bottom view of a miniature spectrometer case showing my new design;
FIG. 4 is a front view of a miniature spectrometer case showing my new design;
FIG. 5 is a back view of a miniature spectrometer case showing my new design;
FIG. 6 is a right side view of a miniature spectrometer case showing my new design; and,
FIG. 7 is a left side view of a miniature spectrometer case showing my new design.

(56) **References Cited**
U.S. PATENT DOCUMENTS
2001/0046047 A1* 11/2001 Ryer G01J 3/02
356/328
2010/0067009 A1* 3/2010 Peterson G01J 3/02
356/402

1 Claim, 3 Drawing Sheets



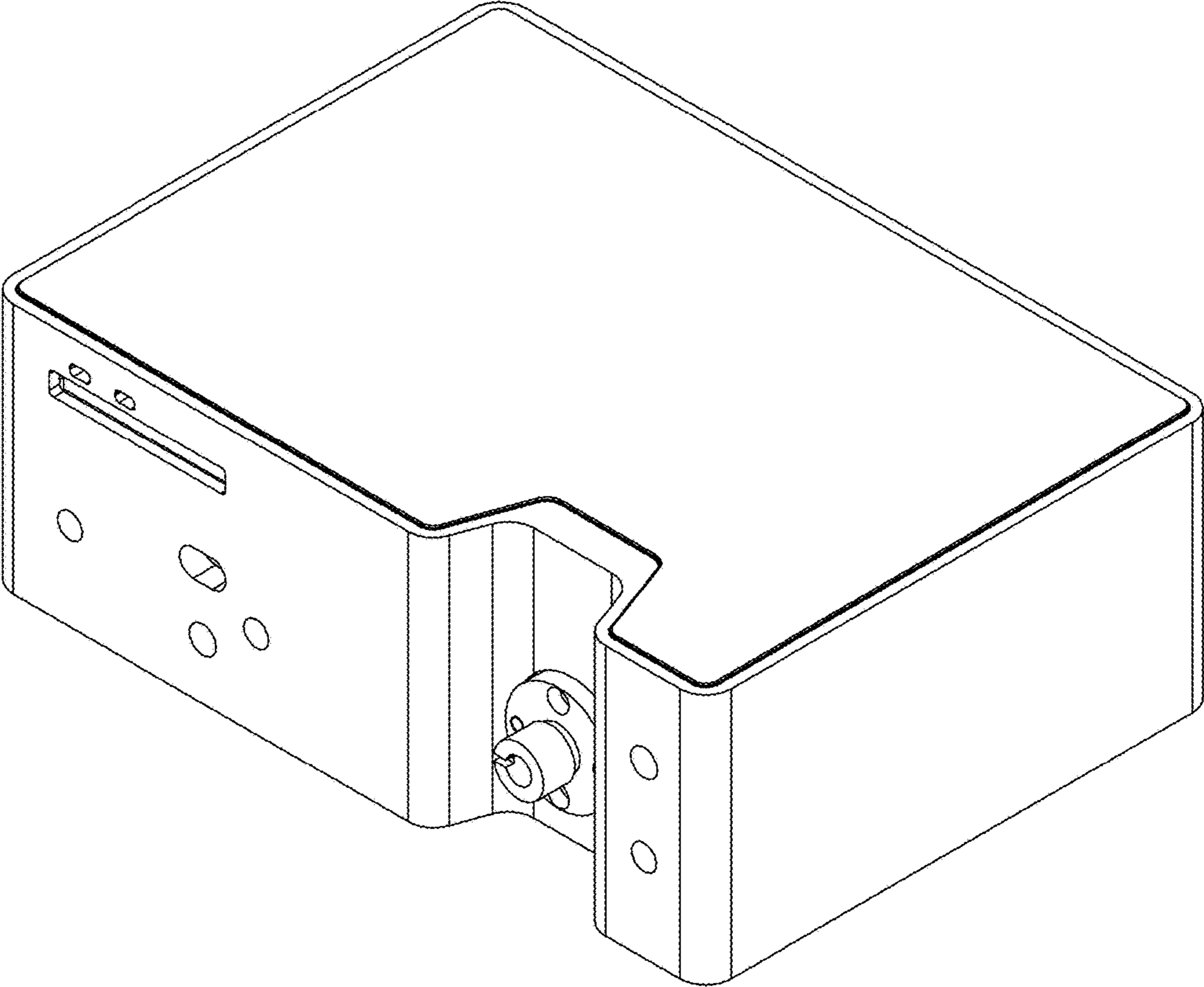


FIG 1

FIG 2

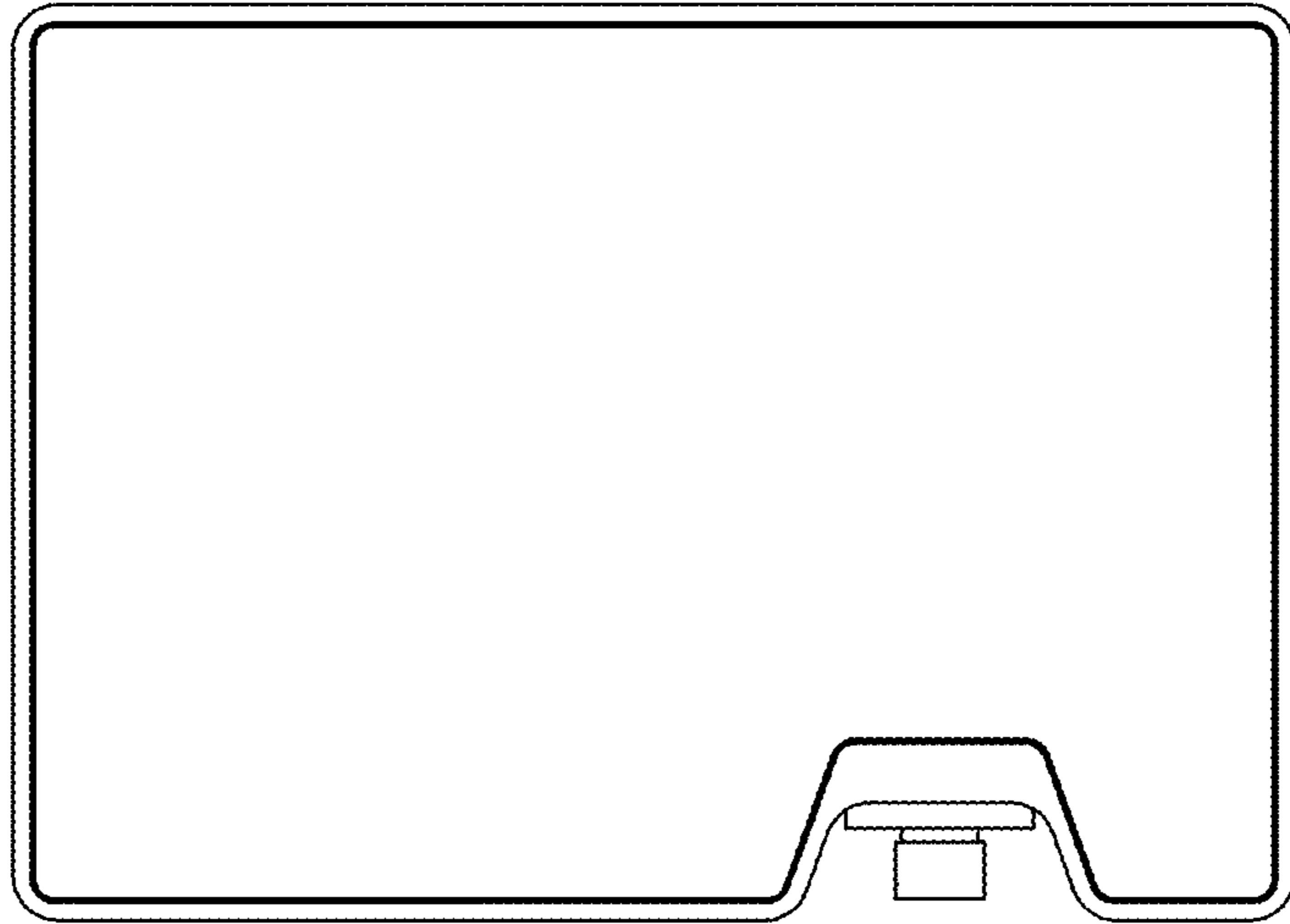


FIG 3

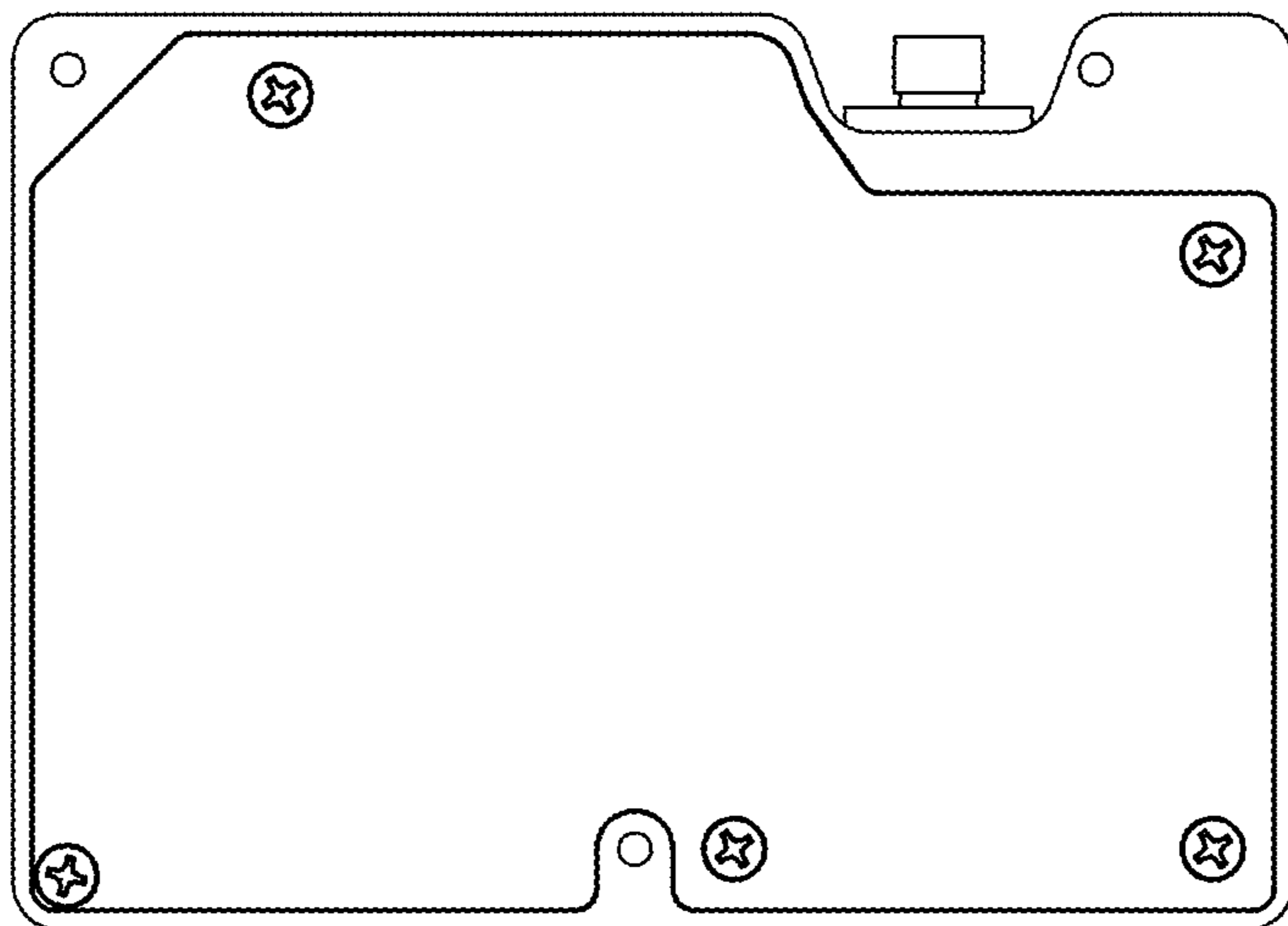


FIG 4

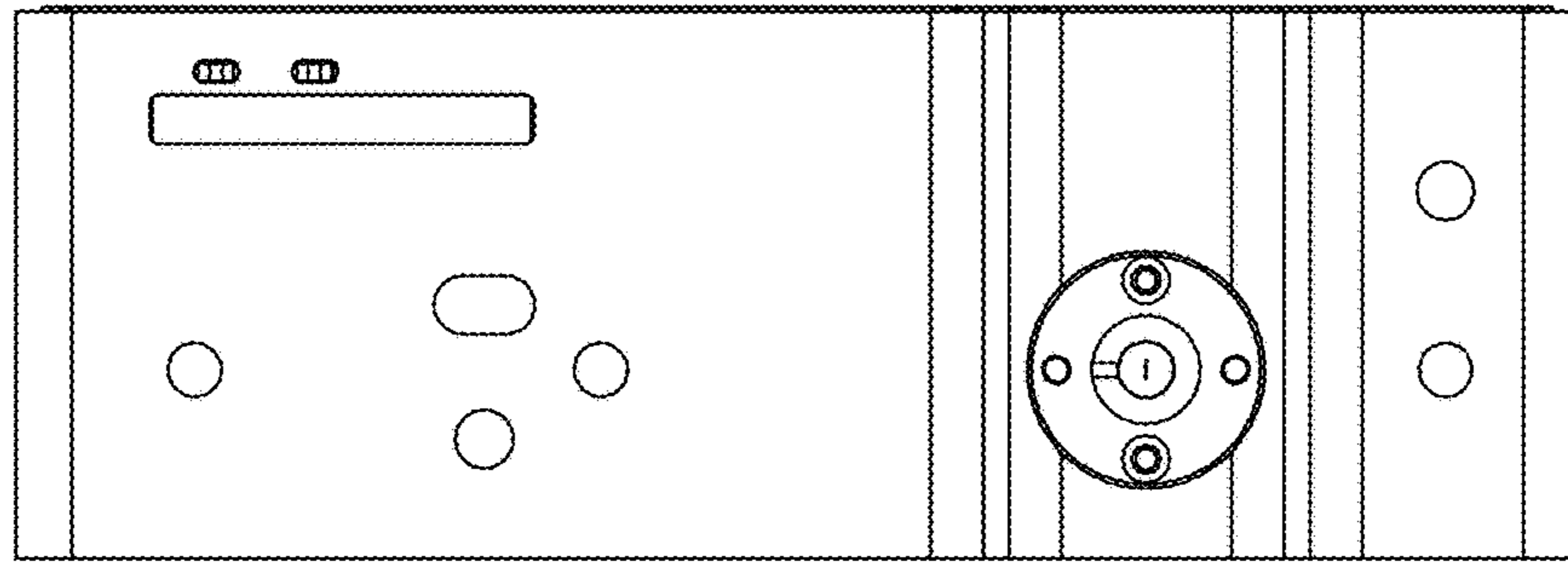


FIG 5

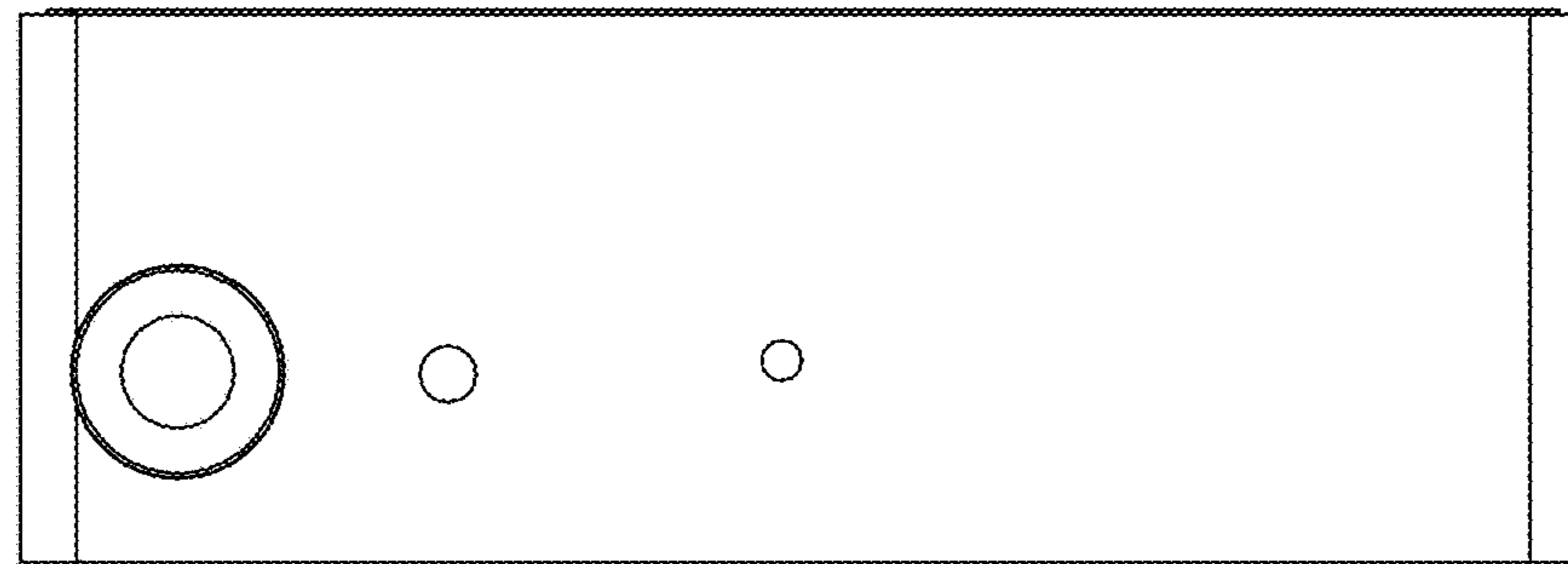


FIG 6

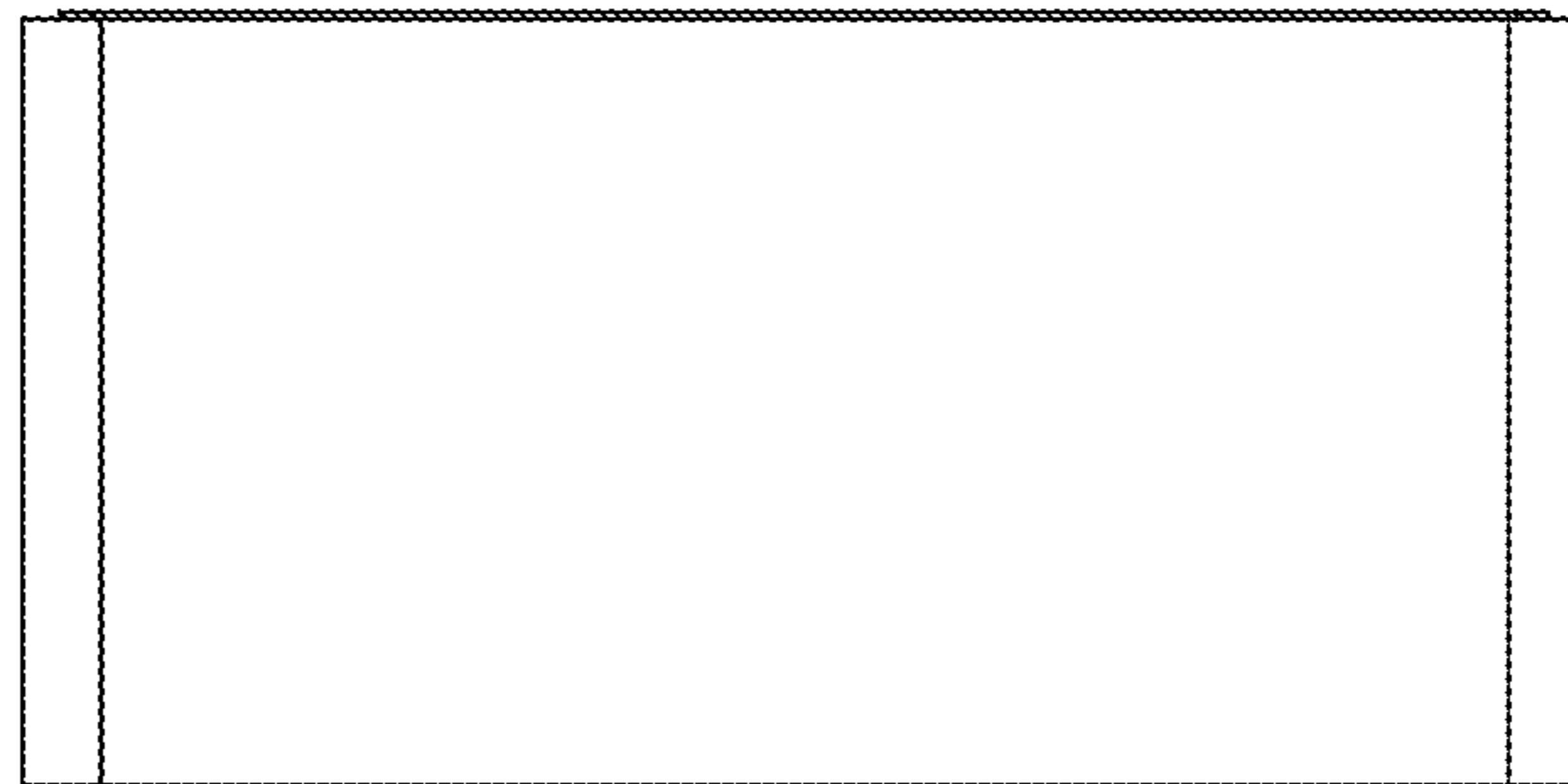


FIG 7

