



US00D796358S

(12) **United States Design Patent** (10) **Patent No.:** **US D796,358 S**  
**Abbott et al.** (45) **Date of Patent:** **\*\* Sep. 5, 2017**

(54) **BIODETECTION SYSTEM**

(71) Applicant: **bioMérieux**, Marcy l’Etoile (FR)  
(72) Inventors: **Richard Abbott**, Draper, UT (US);  
**Patrick Riley**, Salt Lake City, UT (US);  
**Michael B. Derrick**, Salt Lake City,  
UT (US); **Steven Moore**, Salt Lake  
City, UT (US); **Ronald William  
Mudrow**, Magna, UT (US); **Robin  
Peng**, South Jordan, UT (US)

(73) Assignee: **bioMérieux**, Marcy-l’Étoile (FR)

(\*\*) Term: **15 Years**

(21) Appl. No.: **29/543,911**

(22) Filed: **Oct. 29, 2015**

(30) **Foreign Application Priority Data**

Jul. 6, 2015 (EM) ..... 002731935

(51) **LOC (10) Cl.** ..... **10-04**

(52) **U.S. Cl.**  
USPC ..... **D10/81; D24/186; D24/216**

(58) **Field of Classification Search**  
USPC ..... D10/46, 81; D24/185, 186, 232, 233,  
D24/234, 216  
CPC ..... G01N 15/02; G01N 15/0205; G01N  
15/0211; G01N 15/0227; G01N 15/0255;  
G01N 15/0266; G01N 15/0272; G01N  
2015/0216; G01N 2015/0222; G01N  
2015/0233; G01N 2015/0238; G01N  
2015/0244; G01N 2015/025; G01N  
2015/0261

See application file for complete search history.

(56) **References Cited**

U.S. PATENT DOCUMENTS

D599,688 S \* 9/2009 Ito ..... D10/81  
D719,670 S \* 12/2014 Nishikawa ..... D24/216  
D745,184 S \* 12/2015 Giusti ..... D24/216

\* cited by examiner

*Primary Examiner* — Antoine D Davis

(74) *Attorney, Agent, or Firm* — Abel Law Group, LLP

(57) **CLAIM**

The ornamental design for a biodetection system, as shown and described.

**DESCRIPTION**

FIG. 1 is a perspective view of a first embodiment of our new biodetection system;  
FIG. 2 is a front view thereof;  
FIG. 3 is a rear view thereof;  
FIG. 4 is a right side view thereof;  
FIG. 5 is a left side view thereof;  
FIG. 6 is a top view thereof; and  
FIG. 7 is a bottom view thereof;  
FIG. 8 is a perspective view of a second embodiment of our new biodetection system;  
FIG. 9 is a front view thereof;  
FIG. 10 is a rear view thereof;  
FIG. 11 is a right side view thereof;  
FIG. 12 is a left side view thereof;  
FIG. 13 is a top view thereof; and,  
FIG. 14 is a bottom view thereof.  
The broken lines in the figures depict unclaimed environment and form no part of the claimed design.

**1 Claim, 12 Drawing Sheets**

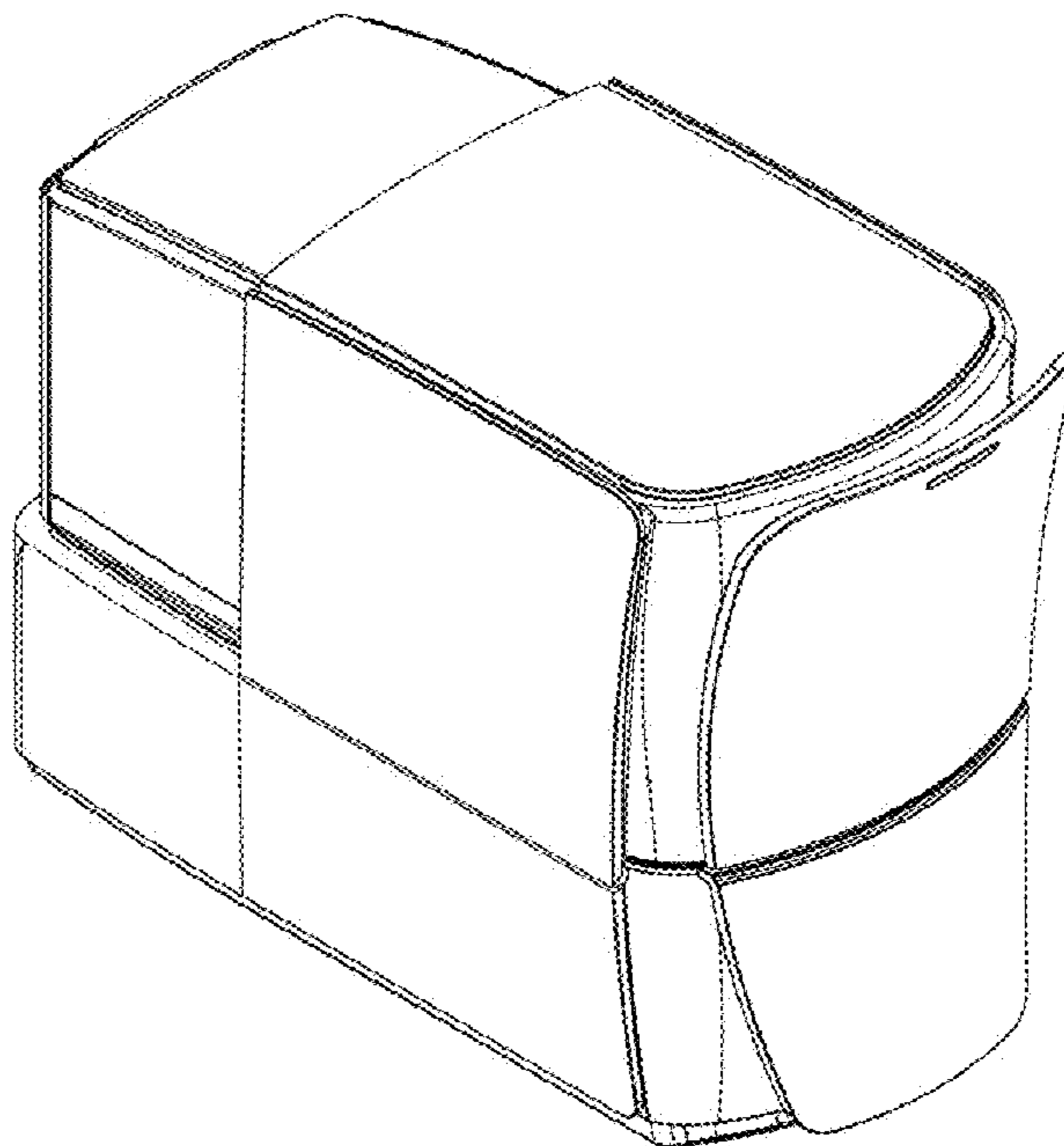
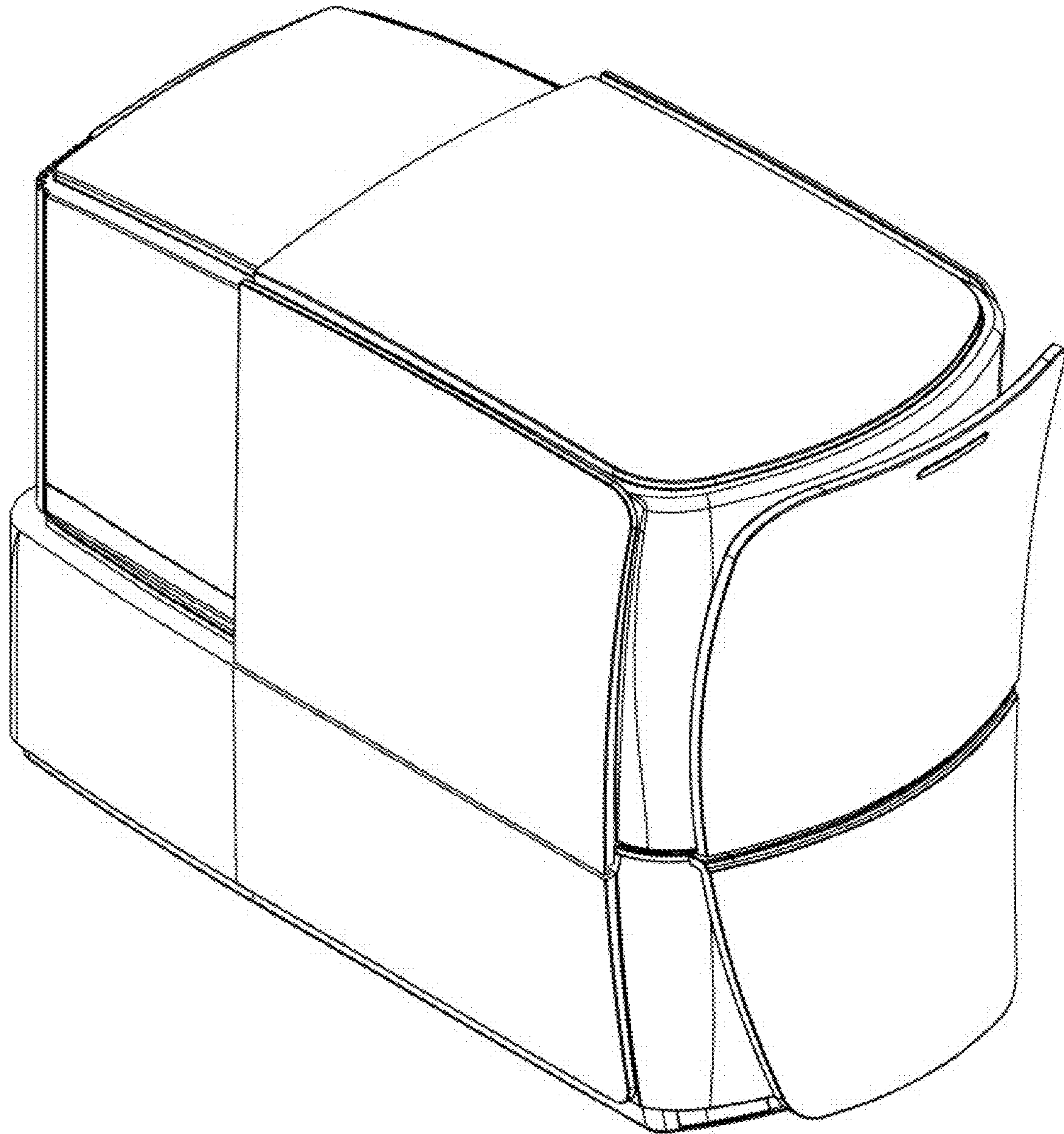


FIG. 1



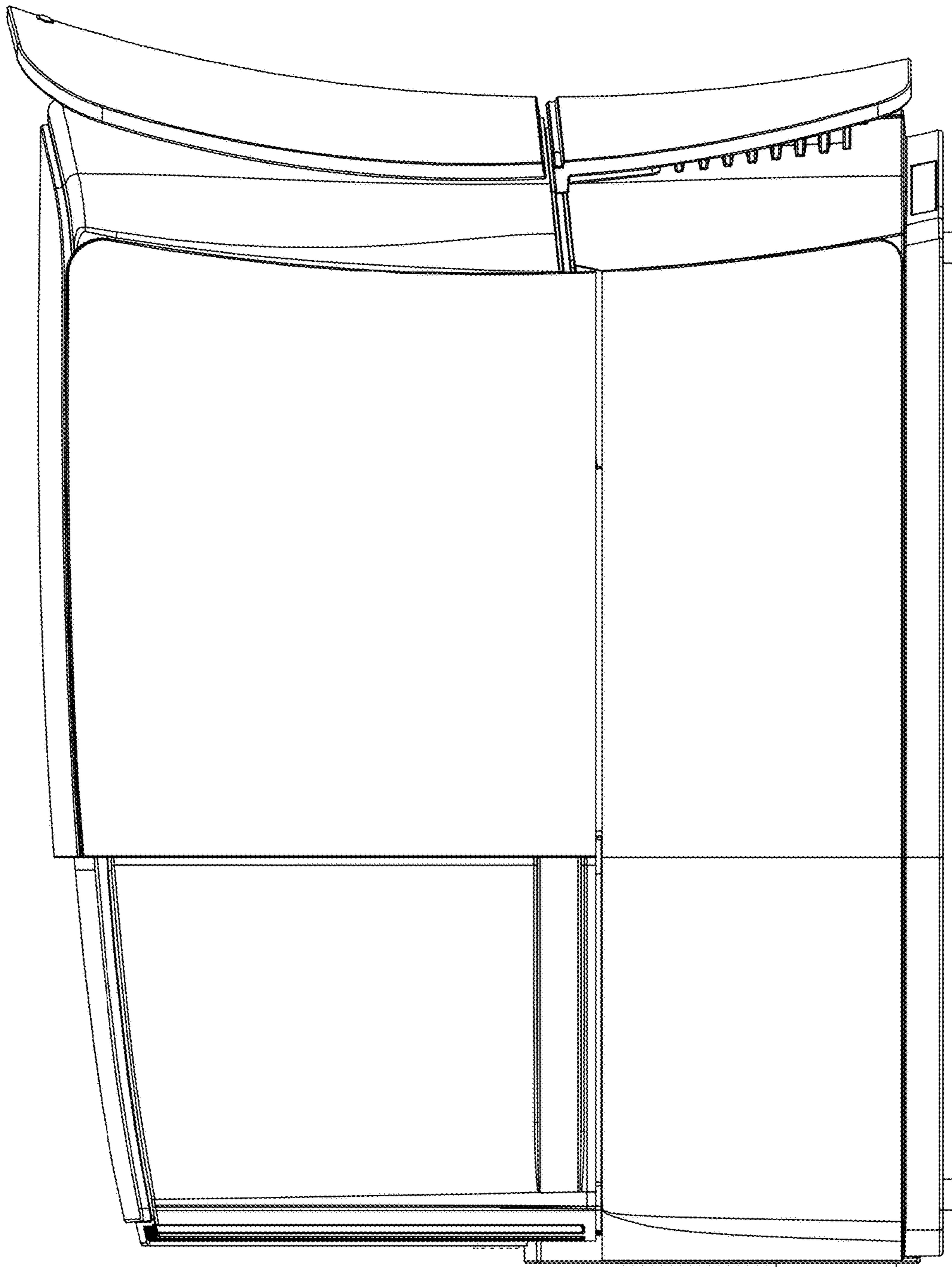


Fig. 2

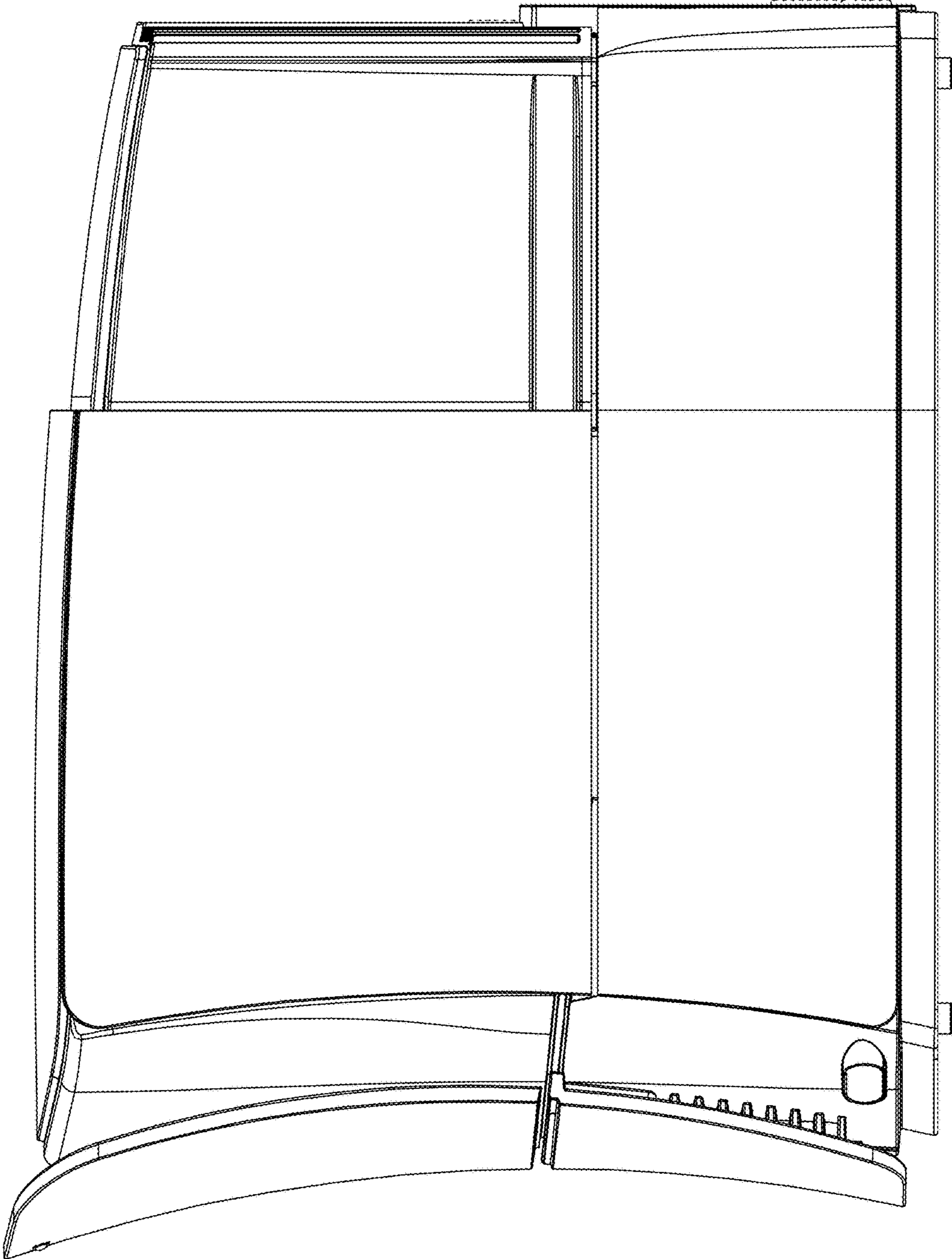


Fig. 3

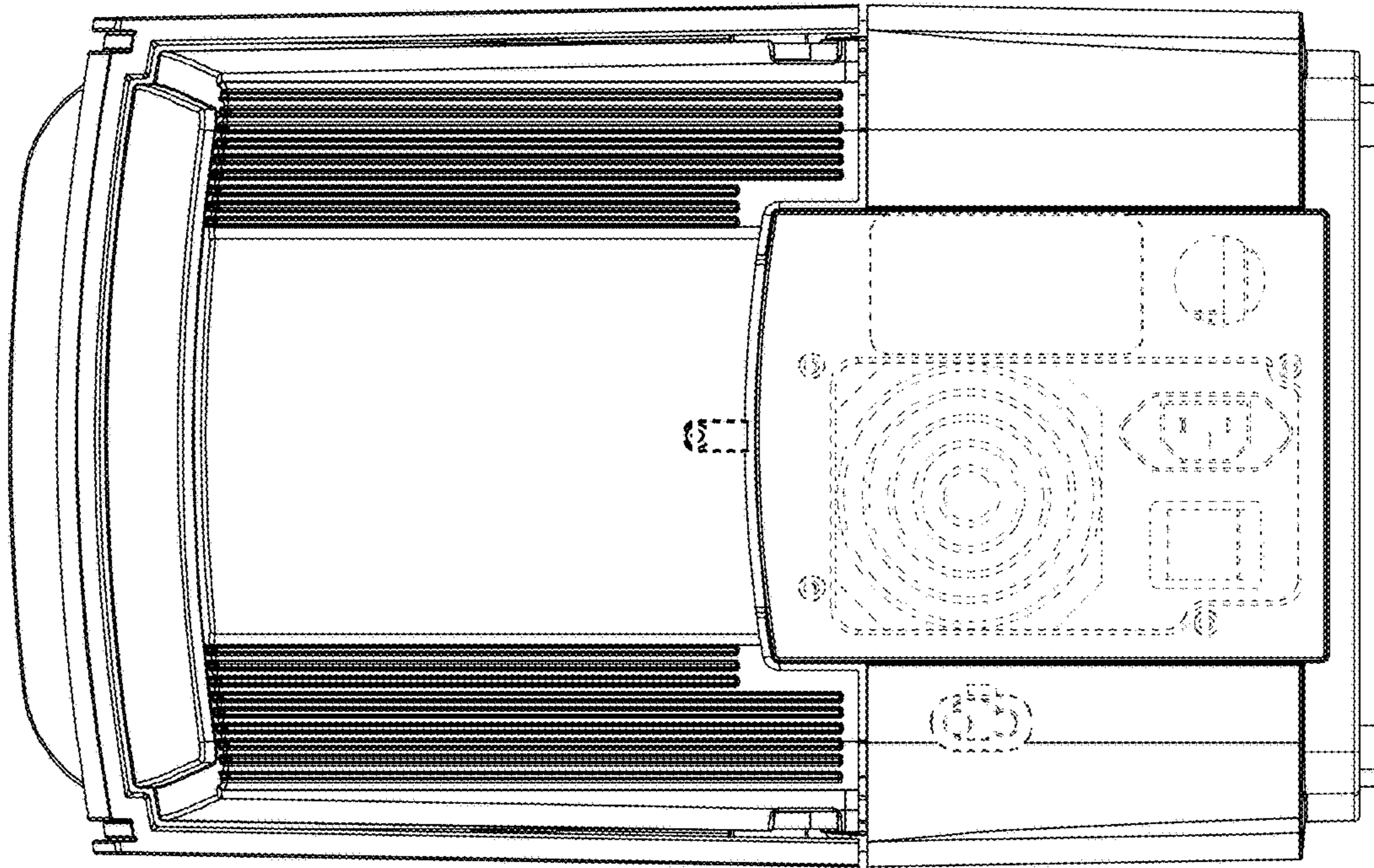


Fig. 5

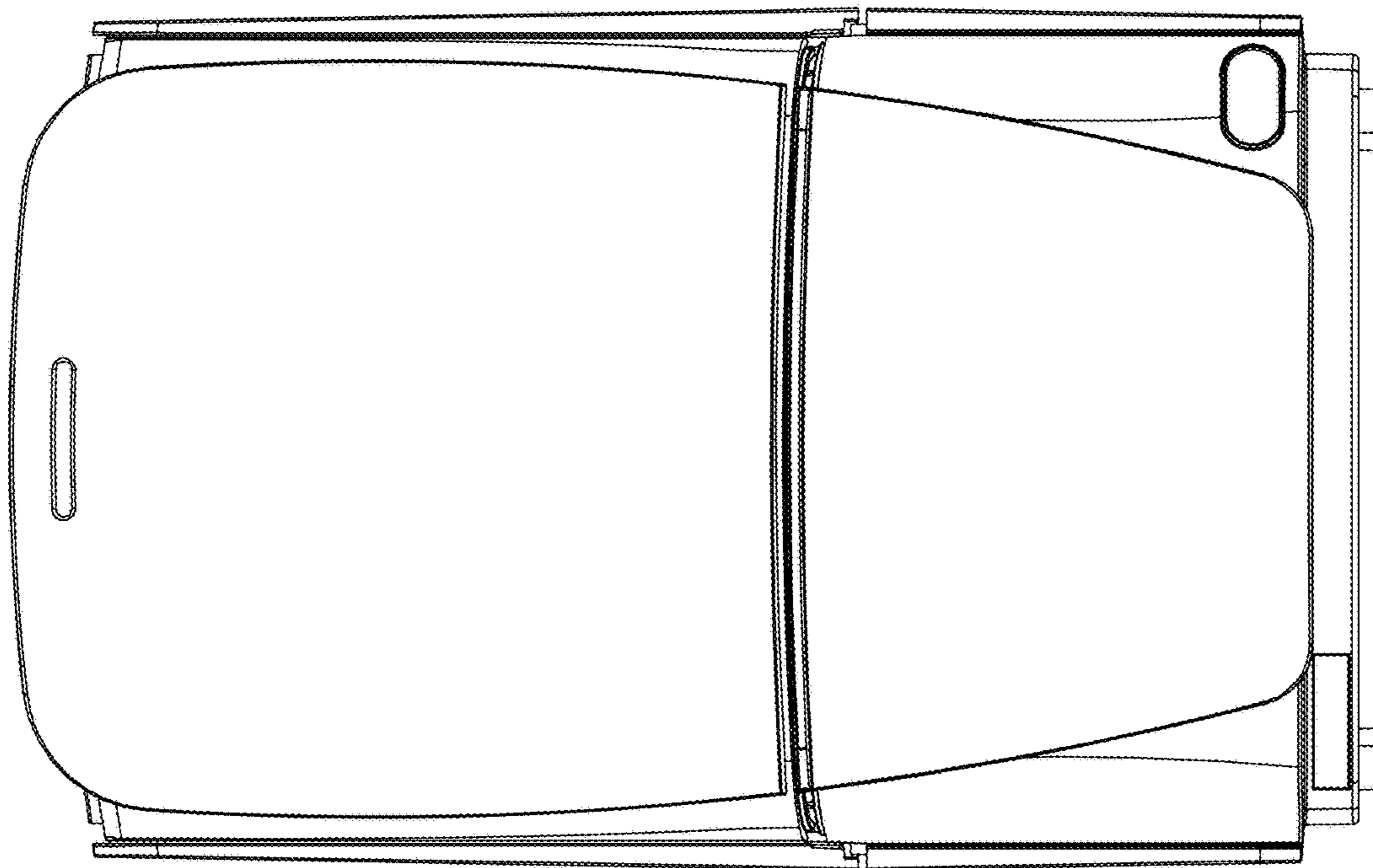


Fig. 4

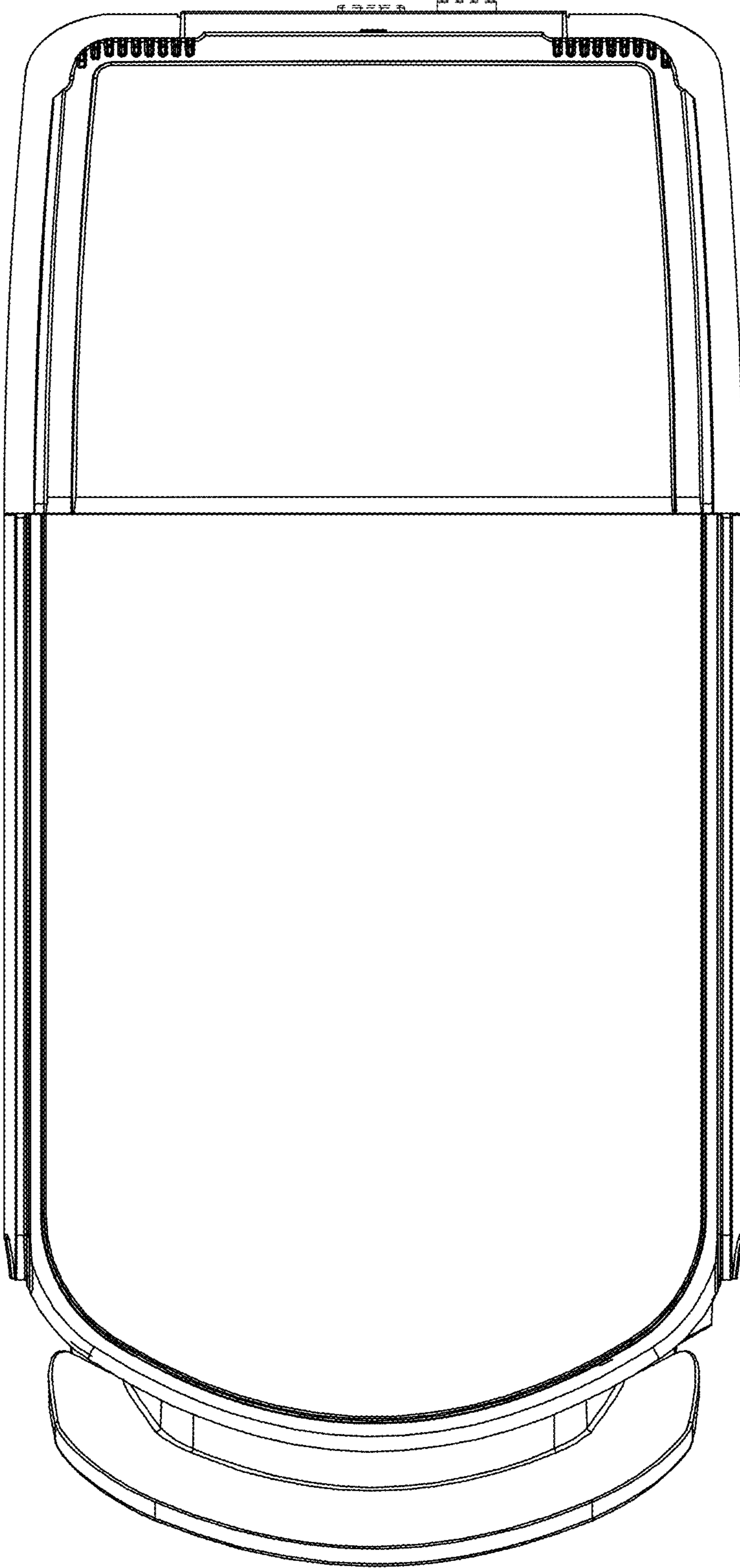


Fig. 6

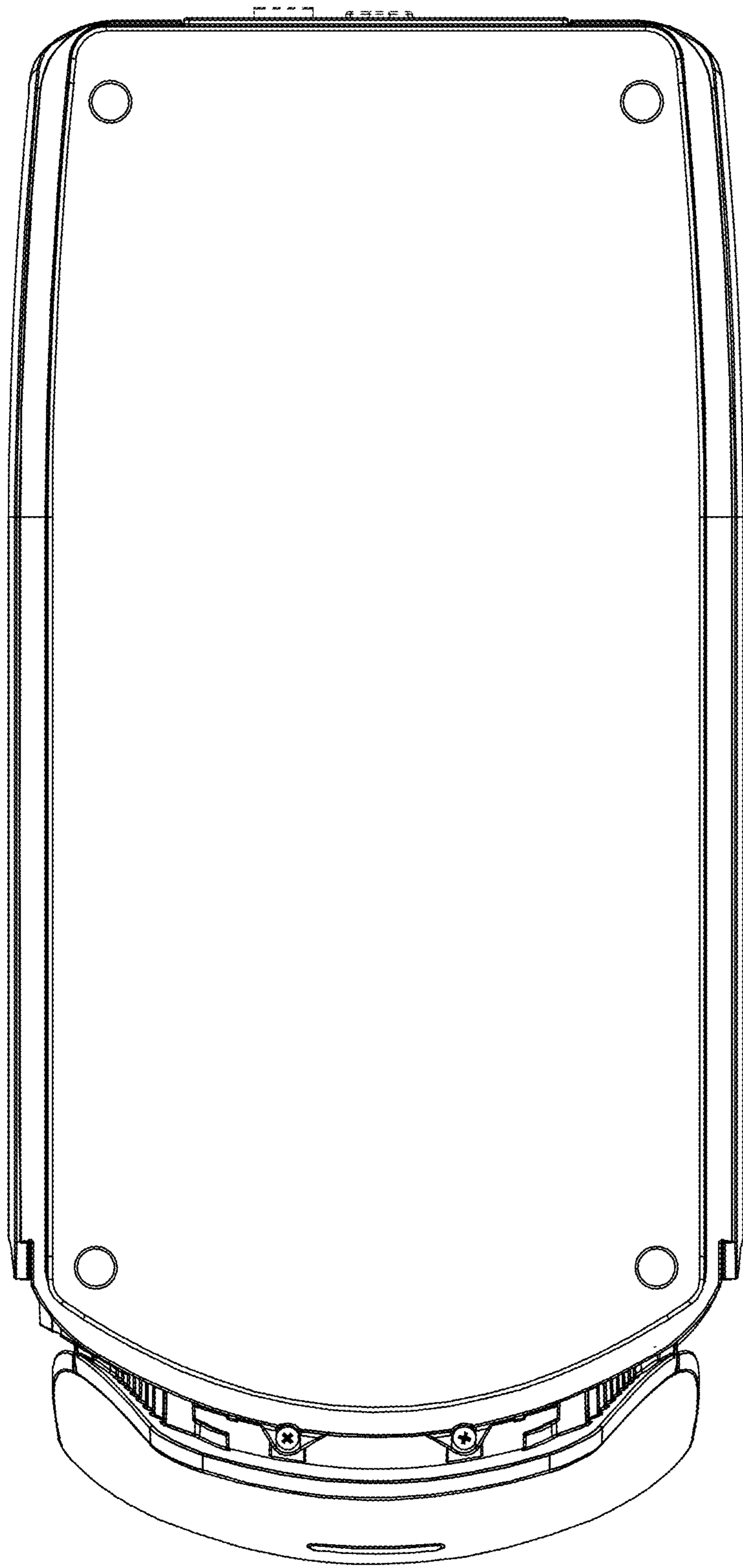


Fig. 7

FIG. 8

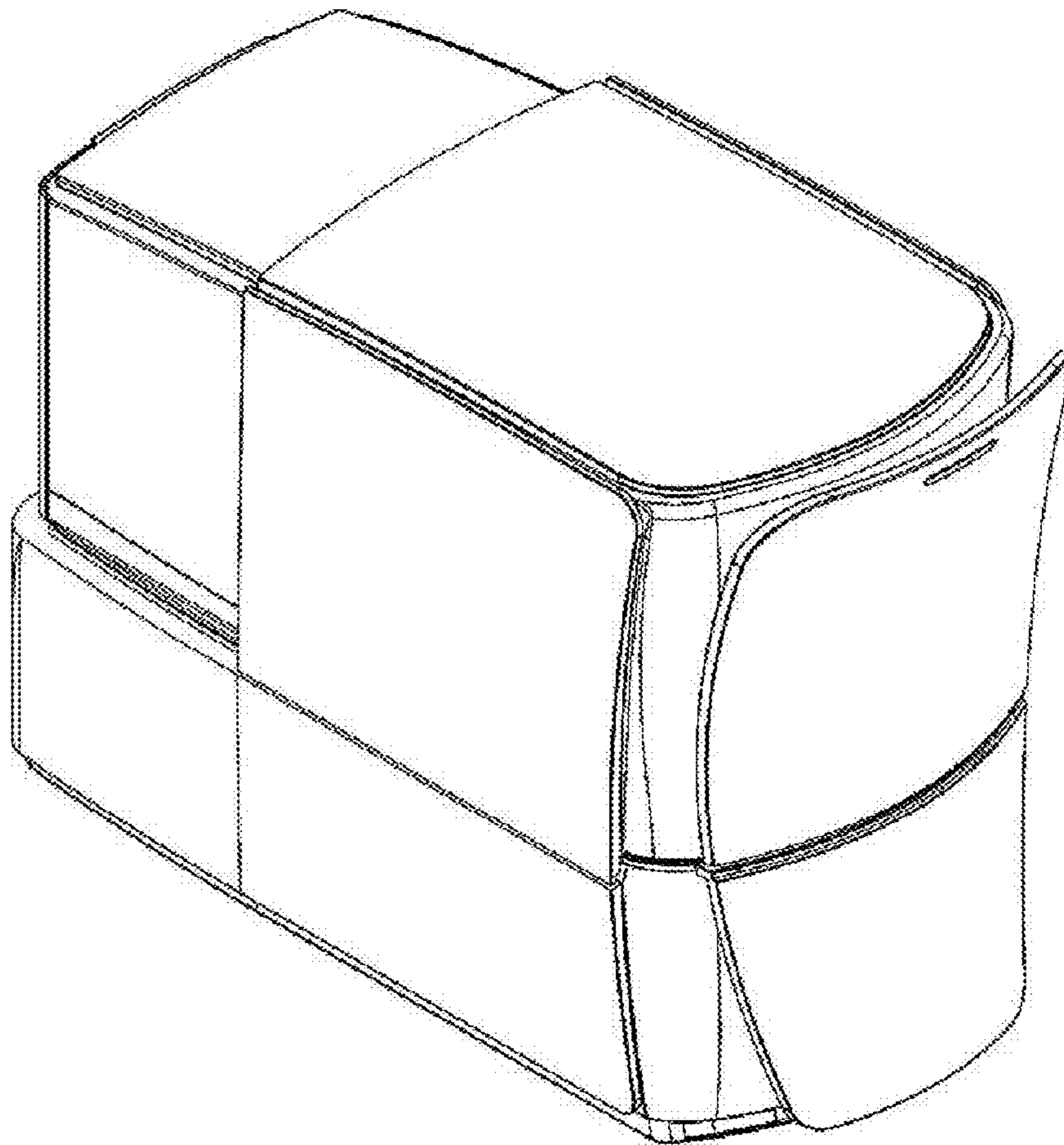




FIG. 9

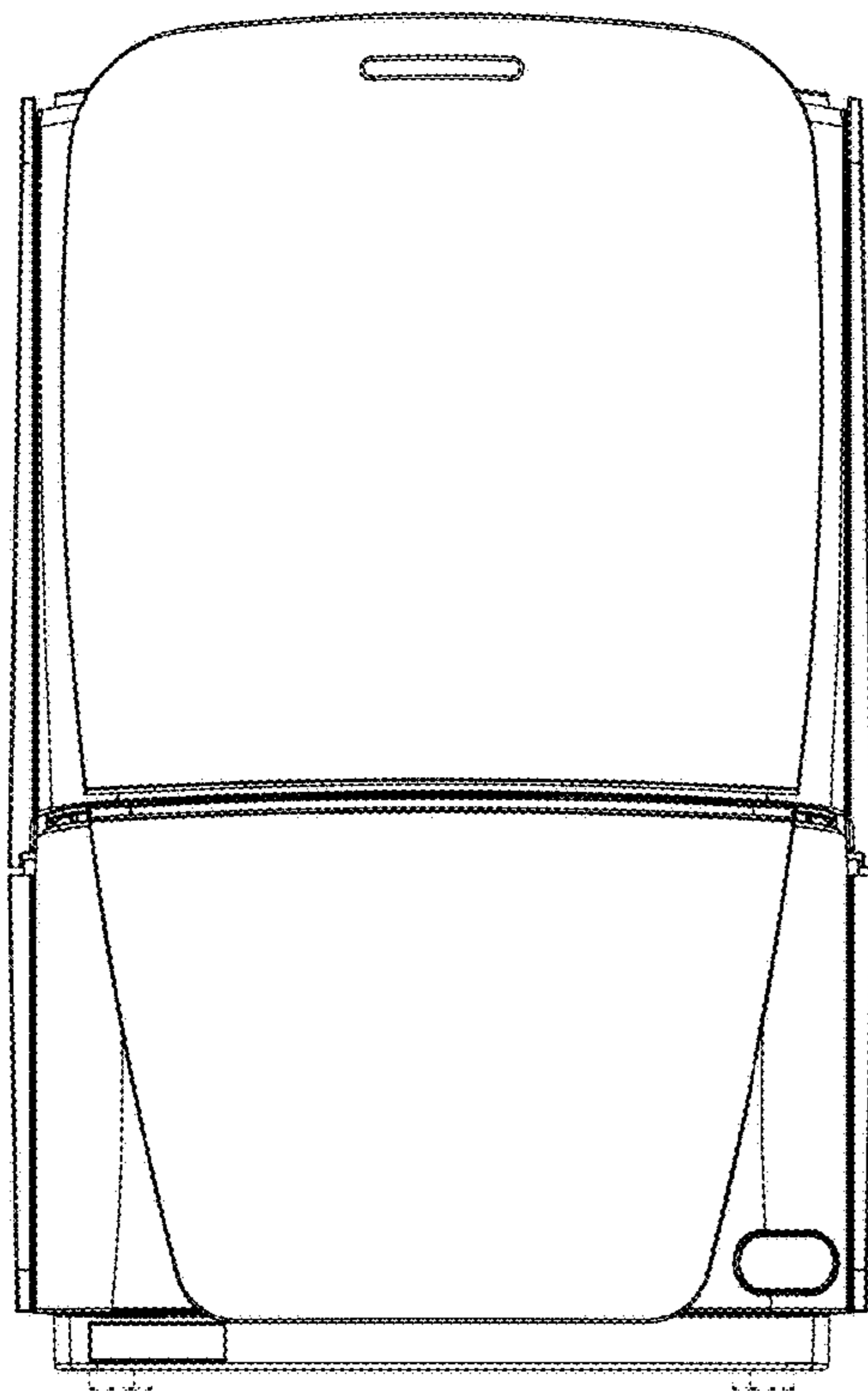


FIG. 10

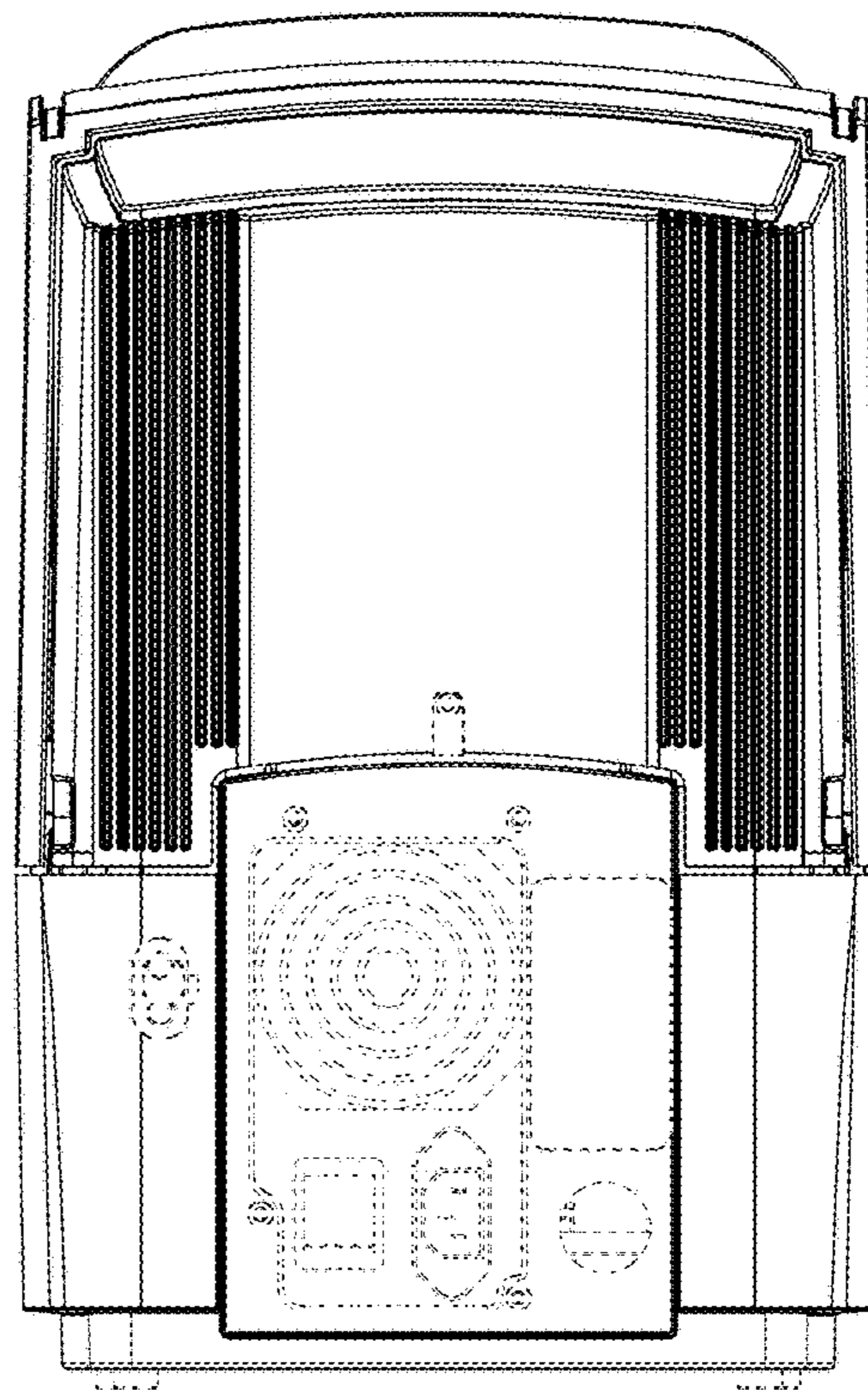


FIG. 11

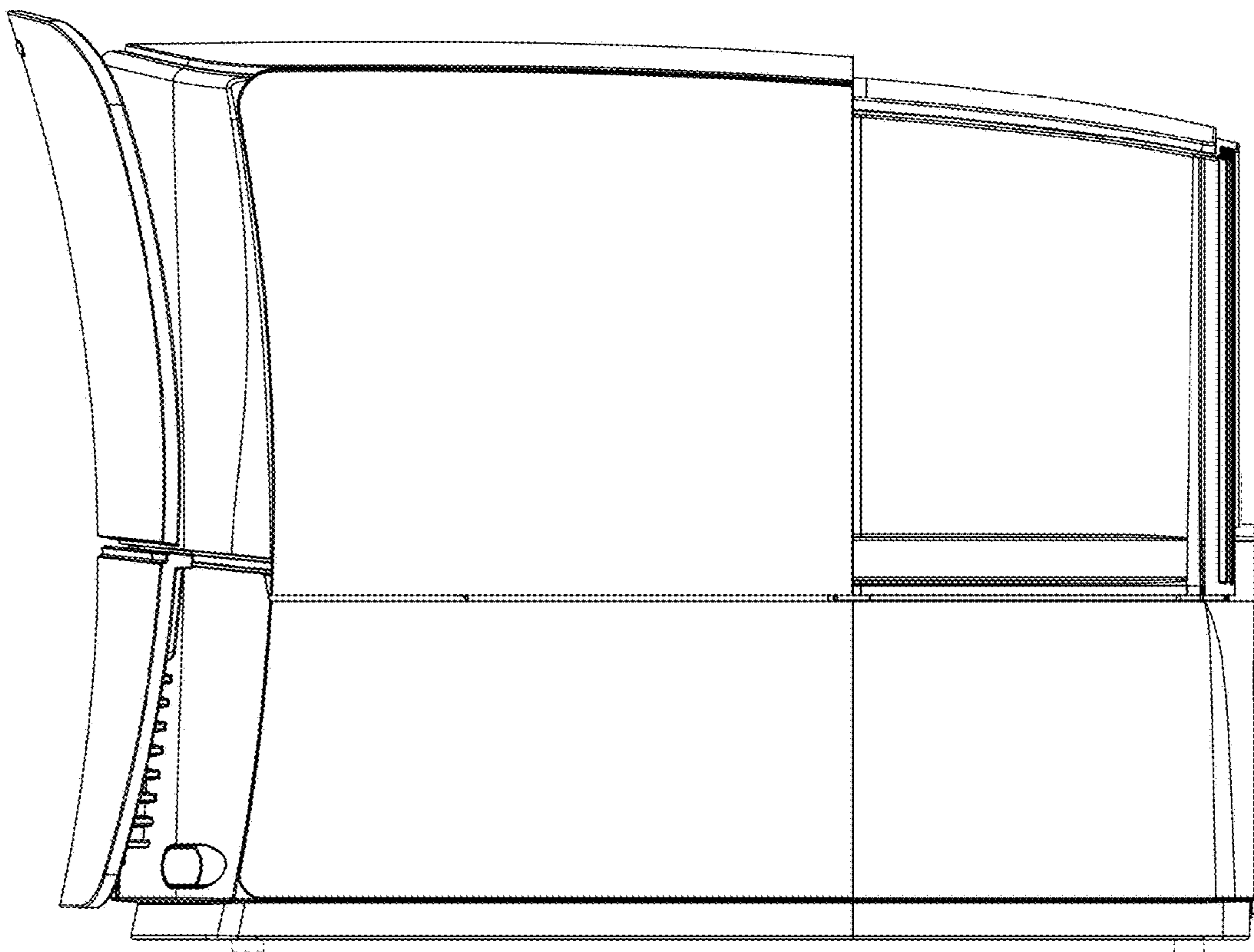


FIG. 12

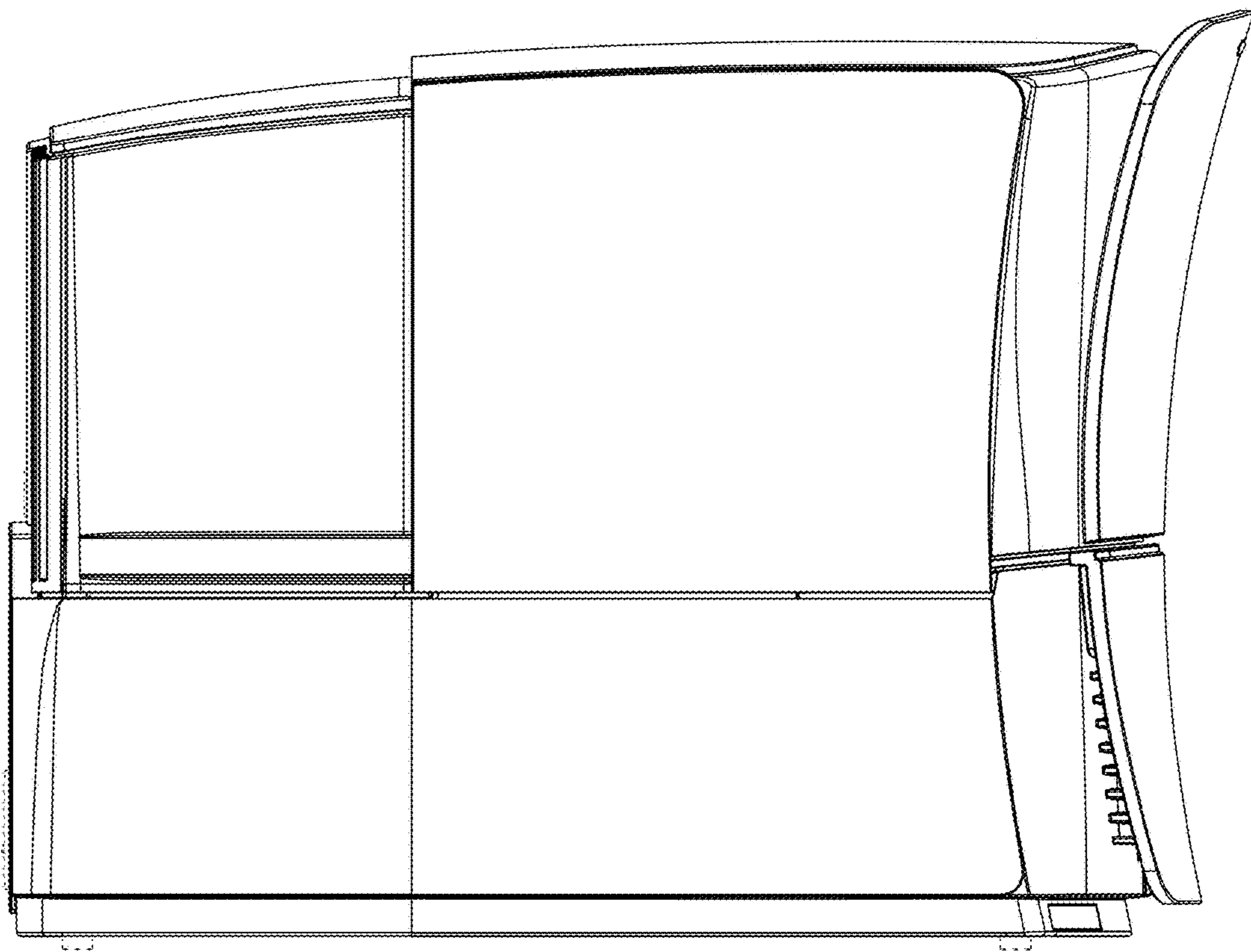


FIG. 13

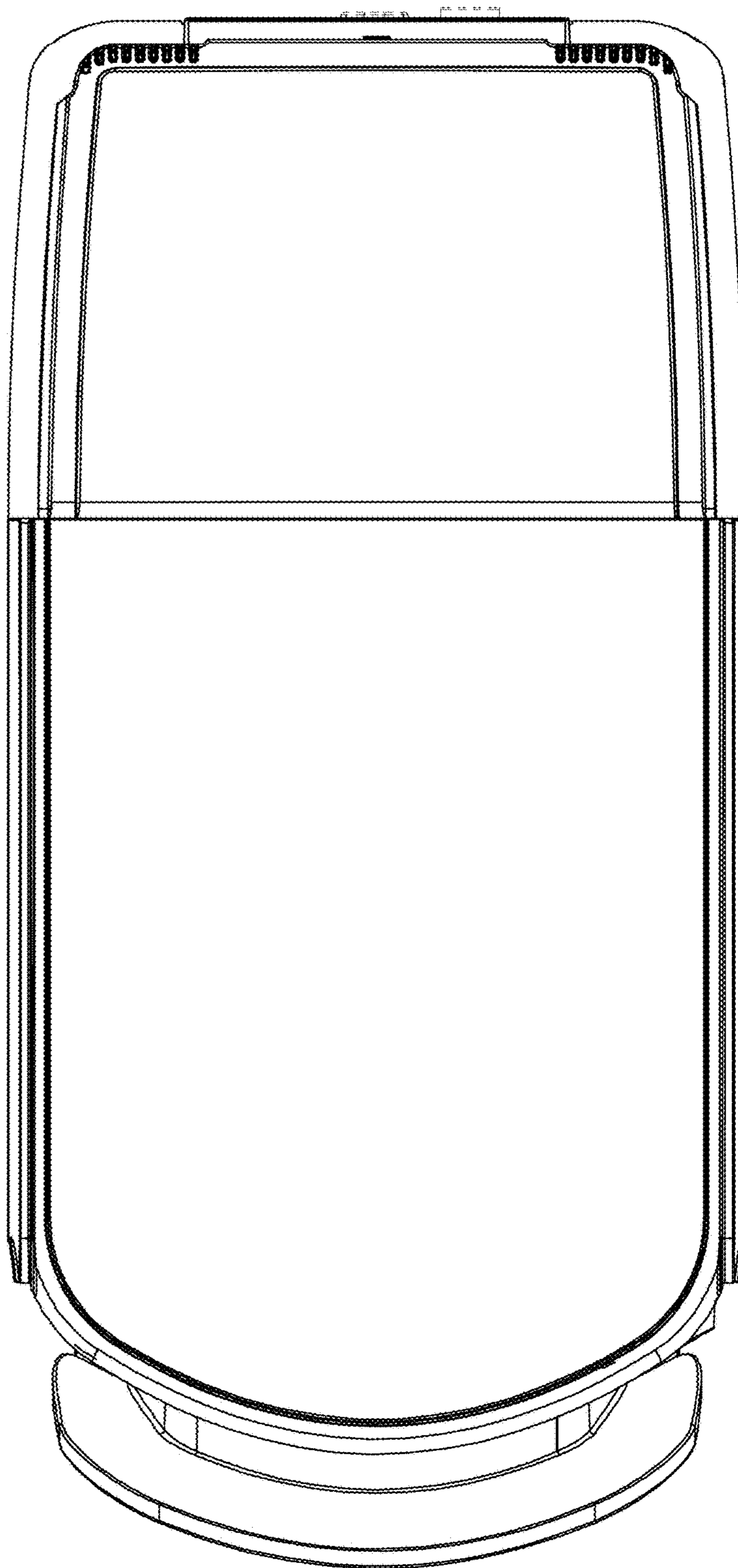


FIG. 14

