



US00D796356S

(12) **United States Design Patent**
Bayley et al.

(10) **Patent No.:** **US D796,356 S**

(45) **Date of Patent:** **** Sep. 5, 2017**

(54) **MODULE OF AN ELECTRONIC PERSONAL TRAINING DEVICE**

(71) Applicant: **TomTom International B.V.**,
Amsterdam (NL)

(72) Inventors: **Stephen Bayley**, London (GB); **Martin Riddiford**, London (GB); **Jonathan Chan**, London (GB)

(73) Assignee: **TomTom International B.V.**,
Amsterdam (NL)

(**) Term: **15 Years**

(21) Appl. No.: **29/556,787**

(22) Filed: **Mar. 3, 2016**

(30) **Foreign Application Priority Data**

Sep. 3, 2015 (EM) 002765933

(51) **LOC (10) Cl.** **10-04**

(52) **U.S. Cl.**
USPC **D10/70; D10/30; D10/97; D10/98;**
D14/344; D24/168; D24/186

(58) **Field of Classification Search**
USPC **D10/30-39, 65, 70, 97, 98, 78; D11/3;**
D14/138 R, 203.5, 203.6, 341, 344, 347;
D24/167, 168, 186
CPC **G04B 19/00-19/34; G04B 21/12; G04B**
23/12; G04B 37/00-37/228; G04B
47/00-47/068; G01C 17/00; G01C
21/00-21/3697; G01C 22/00-22/025;
G01C 23/00; G06F 19/3481; G06F
3/00-3/027

See application file for complete search history.

(56) **References Cited**

U.S. PATENT DOCUMENTS

D344,494 S * 2/1994 Cardenas D14/344
D645,371 S * 9/2011 Ueda D10/98

D659,564 S * 5/2012 Baxter D10/65
D673,464 S * 1/2013 Perko D10/38
D703,204 S * 4/2014 Riddiford D10/65
D749,072 S * 2/2016 Ji D10/38
D752,046 S * 3/2016 Jun D14/344
D752,578 S * 3/2016 Ji D14/344
D771,628 S * 11/2016 Bae D14/341

* cited by examiner

Primary Examiner — Antoine D Davis

(57) **CLAIM**

The ornamental design for a module of an electronic personal training device, as shown and described.

DESCRIPTION

FIG. 1 is a perspective view showing the upper surface of the module, including the display panel and user input device. FIG. 2 is a perspective view showing the lower surface of the module.

FIG. 3 is a top view of the module.

FIG. 4 is a bottom view of the module.

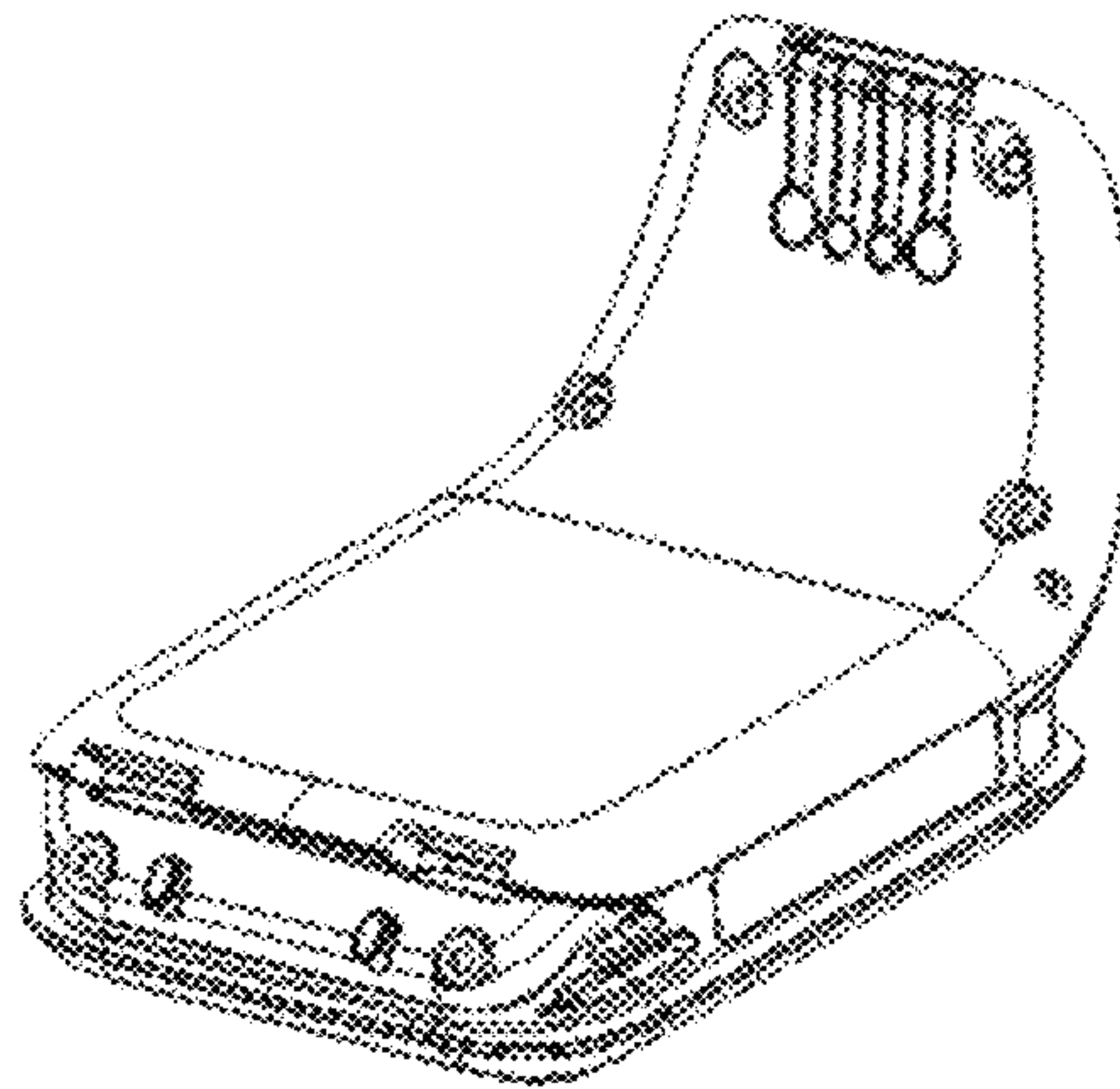
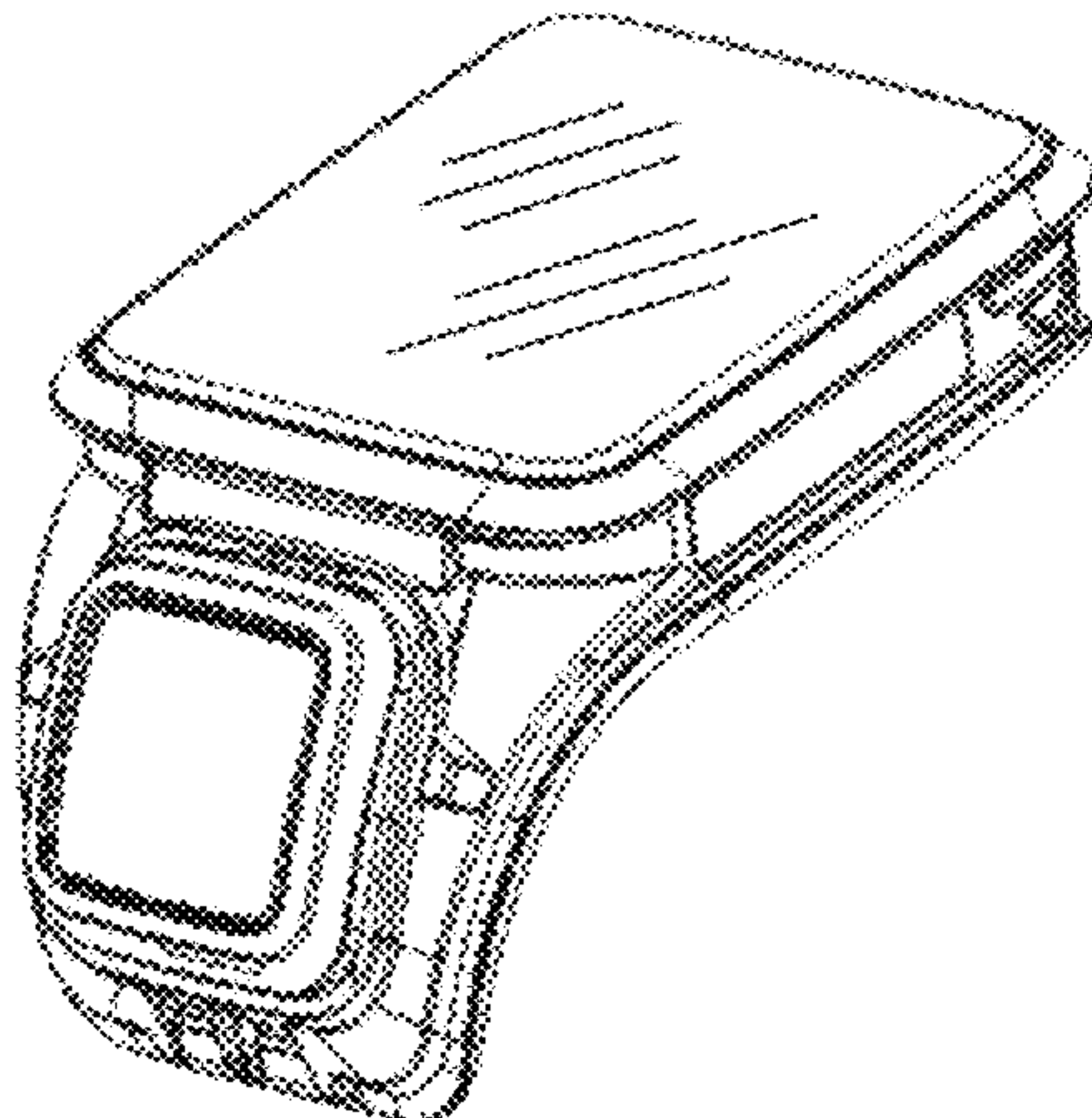
FIG. 5 is a front view of the module.

FIG. 6 is a rear view of the module; and,

FIG. 7 is a side view of the module; left and right side views being the same.

The design comprises a module of an electronic personal training device, and which comprises a display panel for providing information to a user while performing activities such as running, swimming, cycling or the like, and a 4-way button or other user input device for receiving commands from the user. The module is insertable into a strap to form a fitness watch, but can also, for example, be inserted into a suitable mount on a bicycle. The module may comprise location determining means, e.g. a global navigation satellite system (GNSS) receiver.

1 Claim, 6 Drawing Sheets



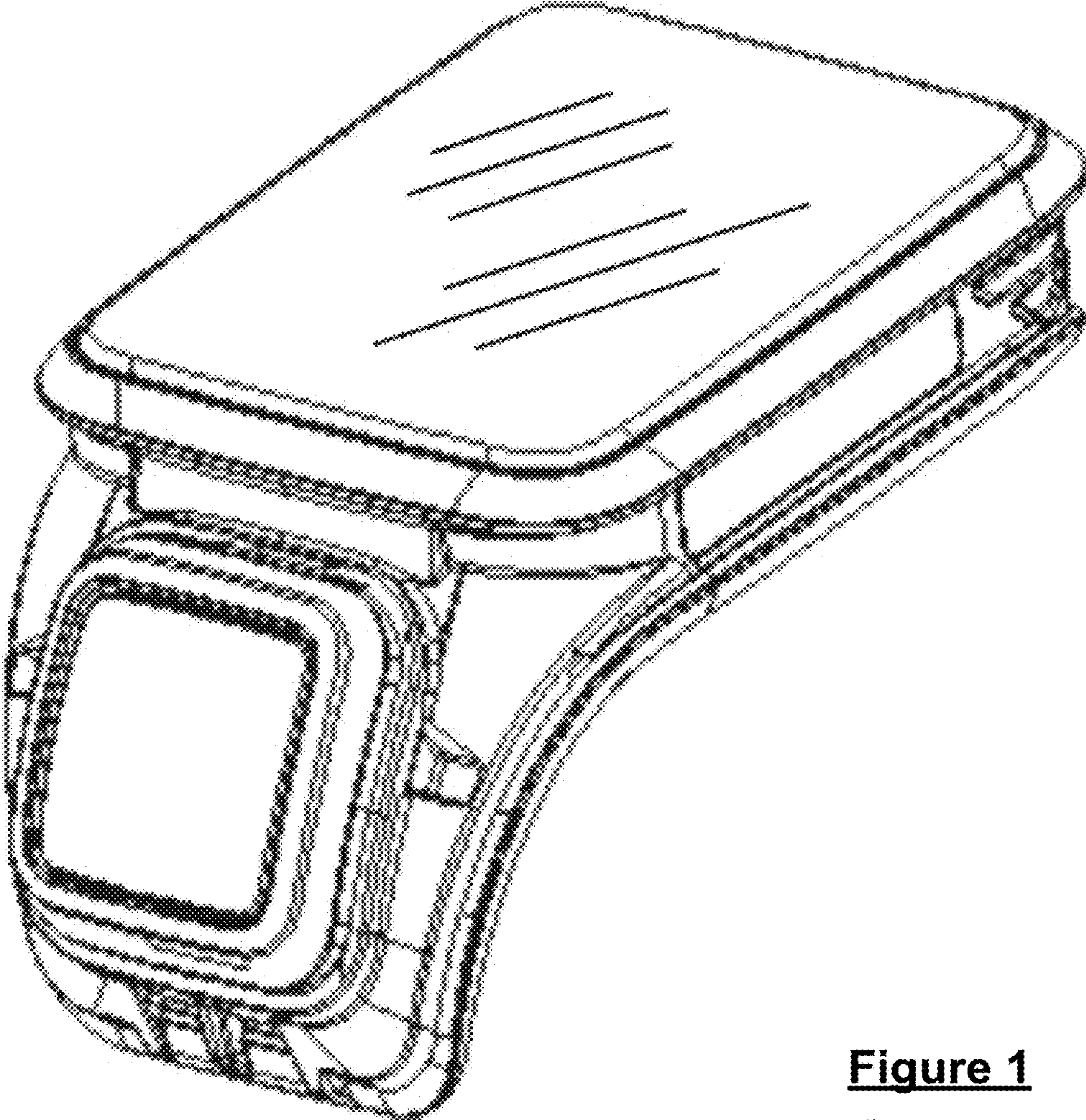


Figure 1

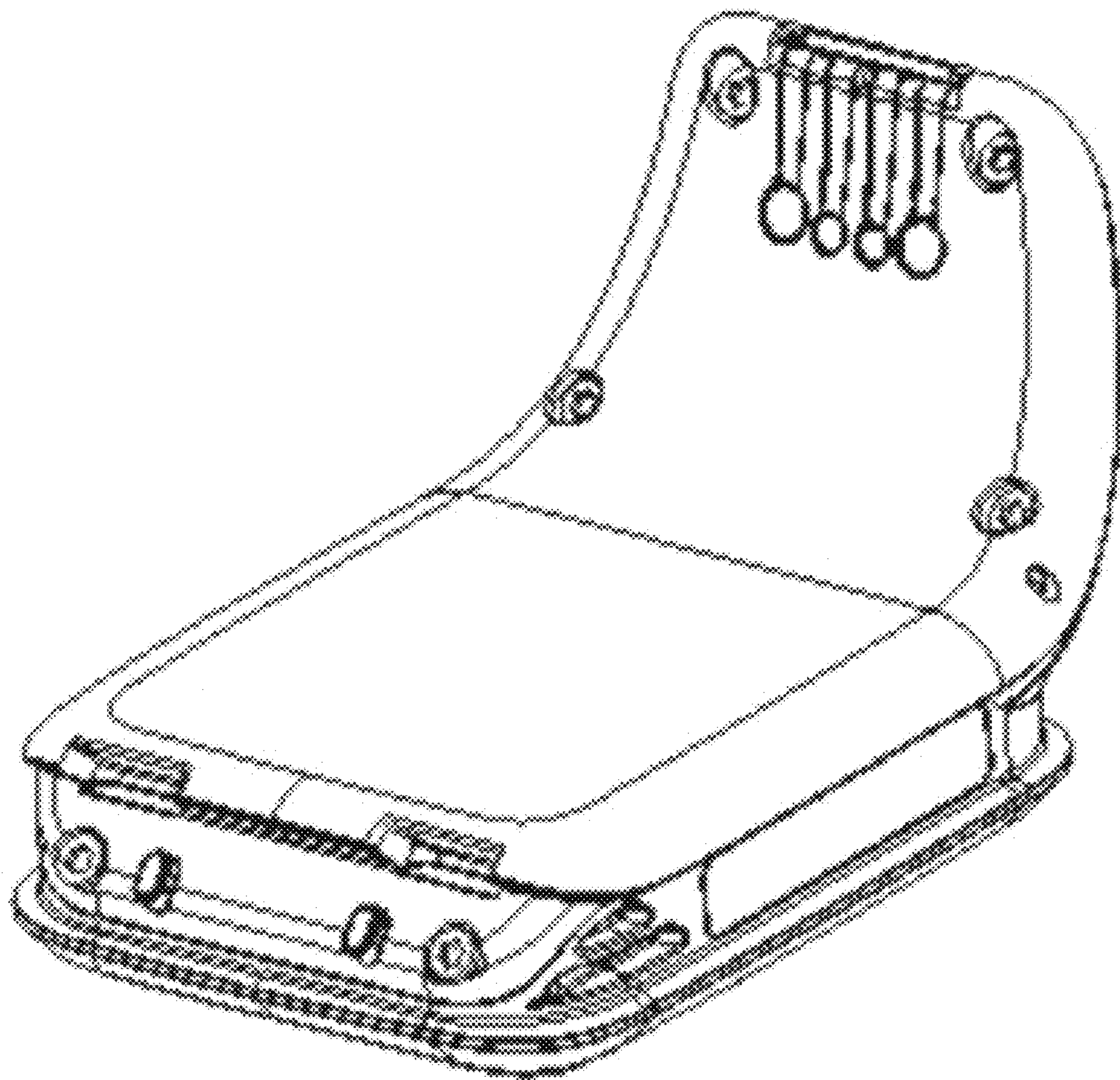


Figure 2

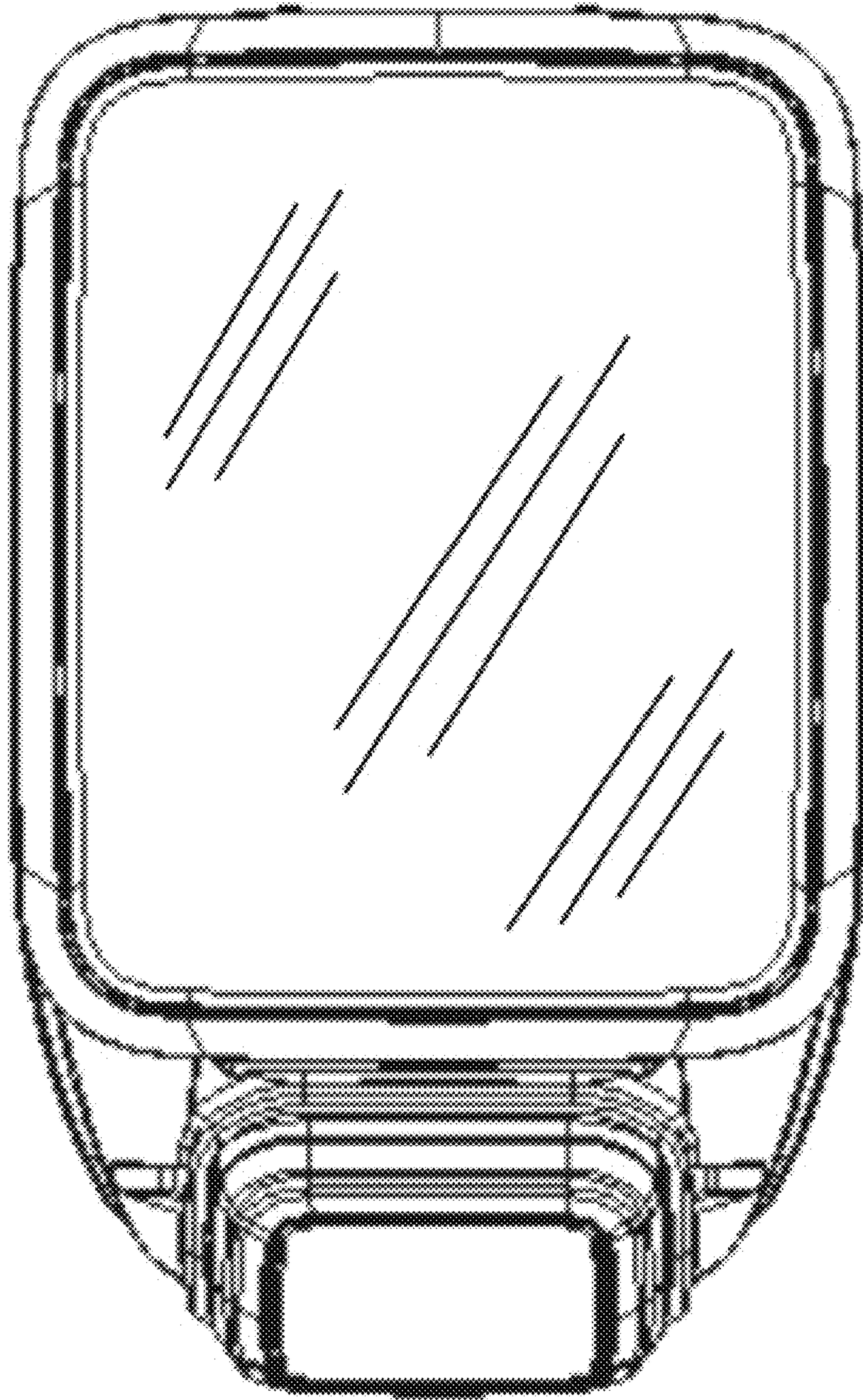


Figure 3

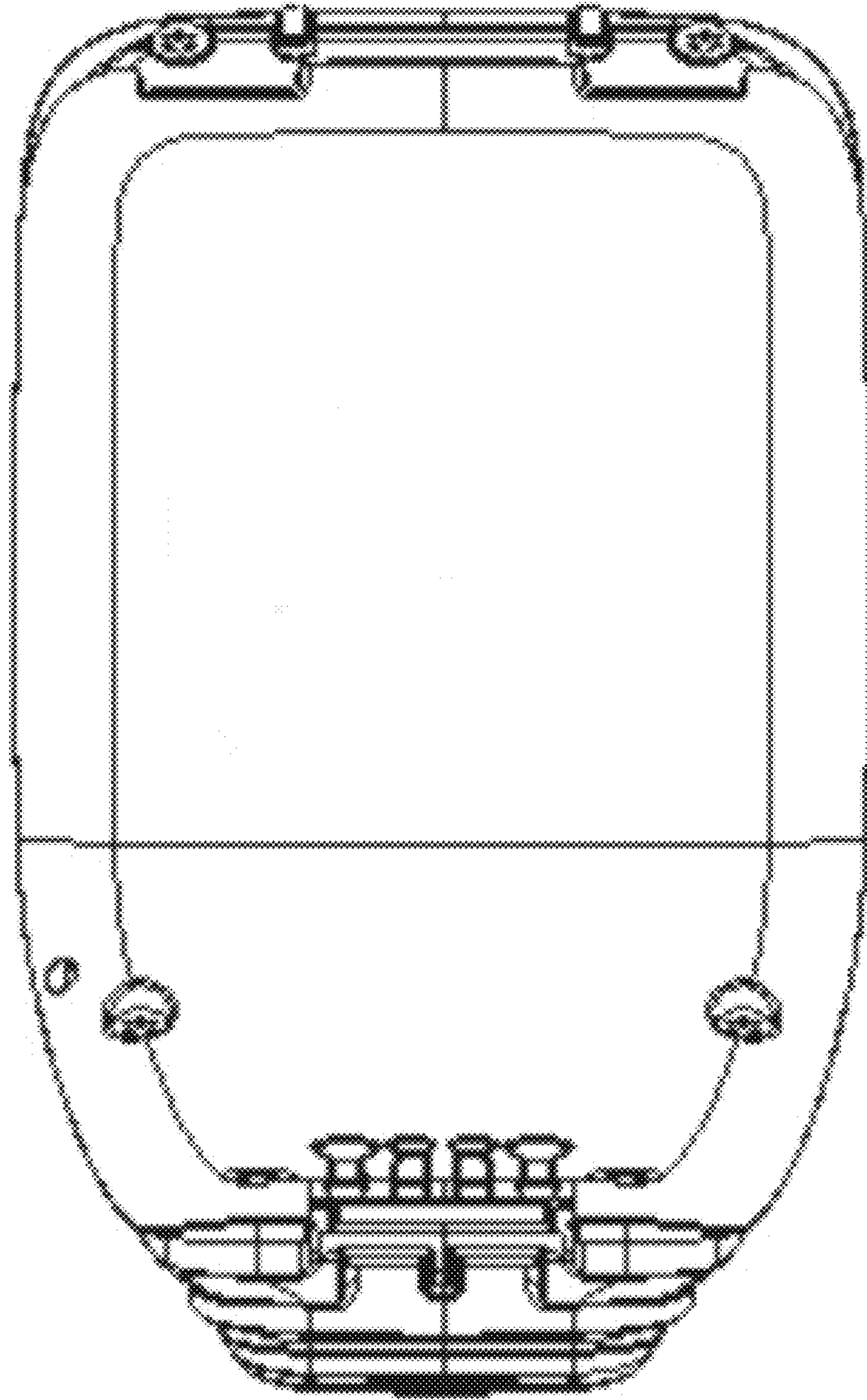


Figure 4

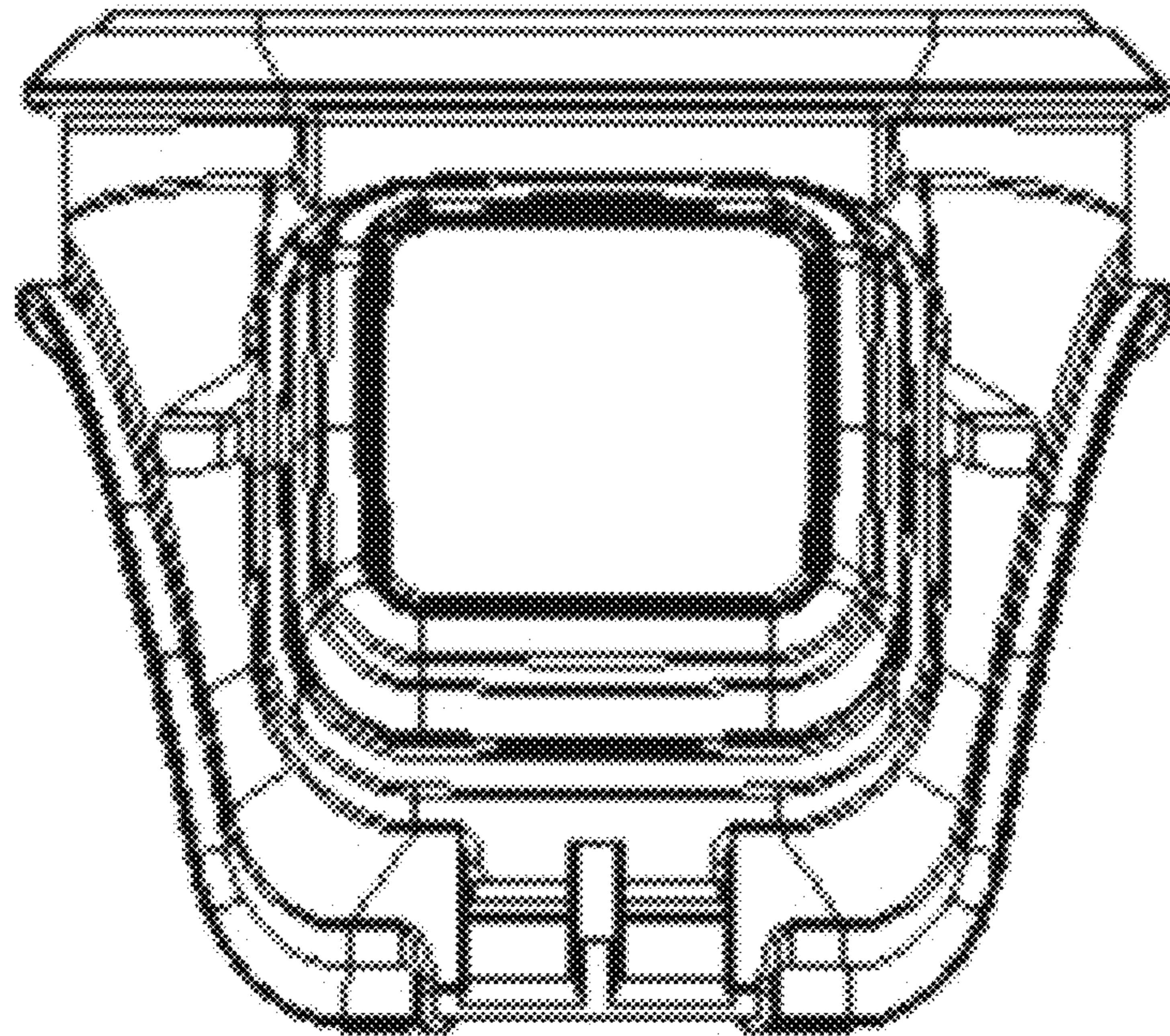


Figure 5

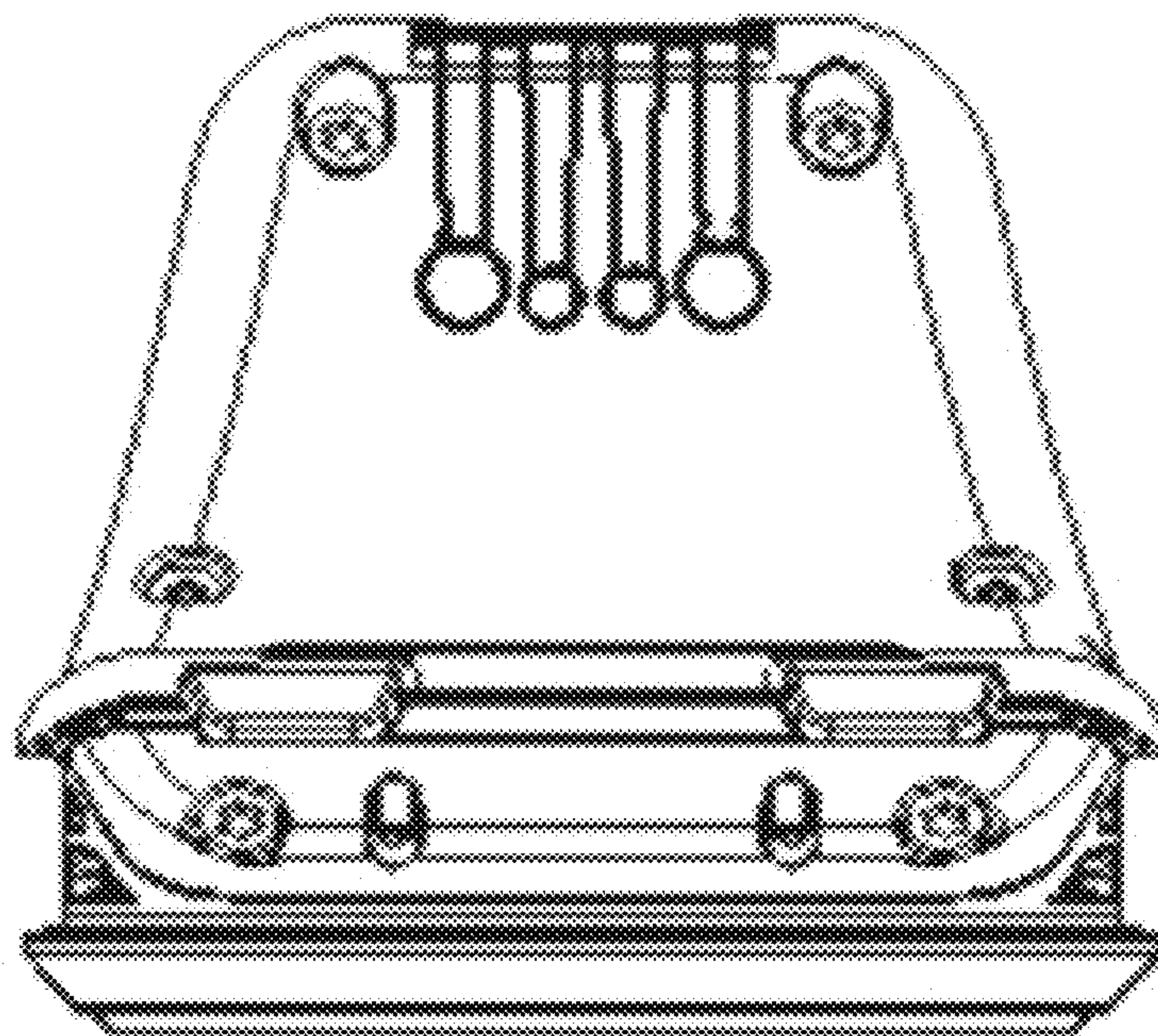


Figure 6

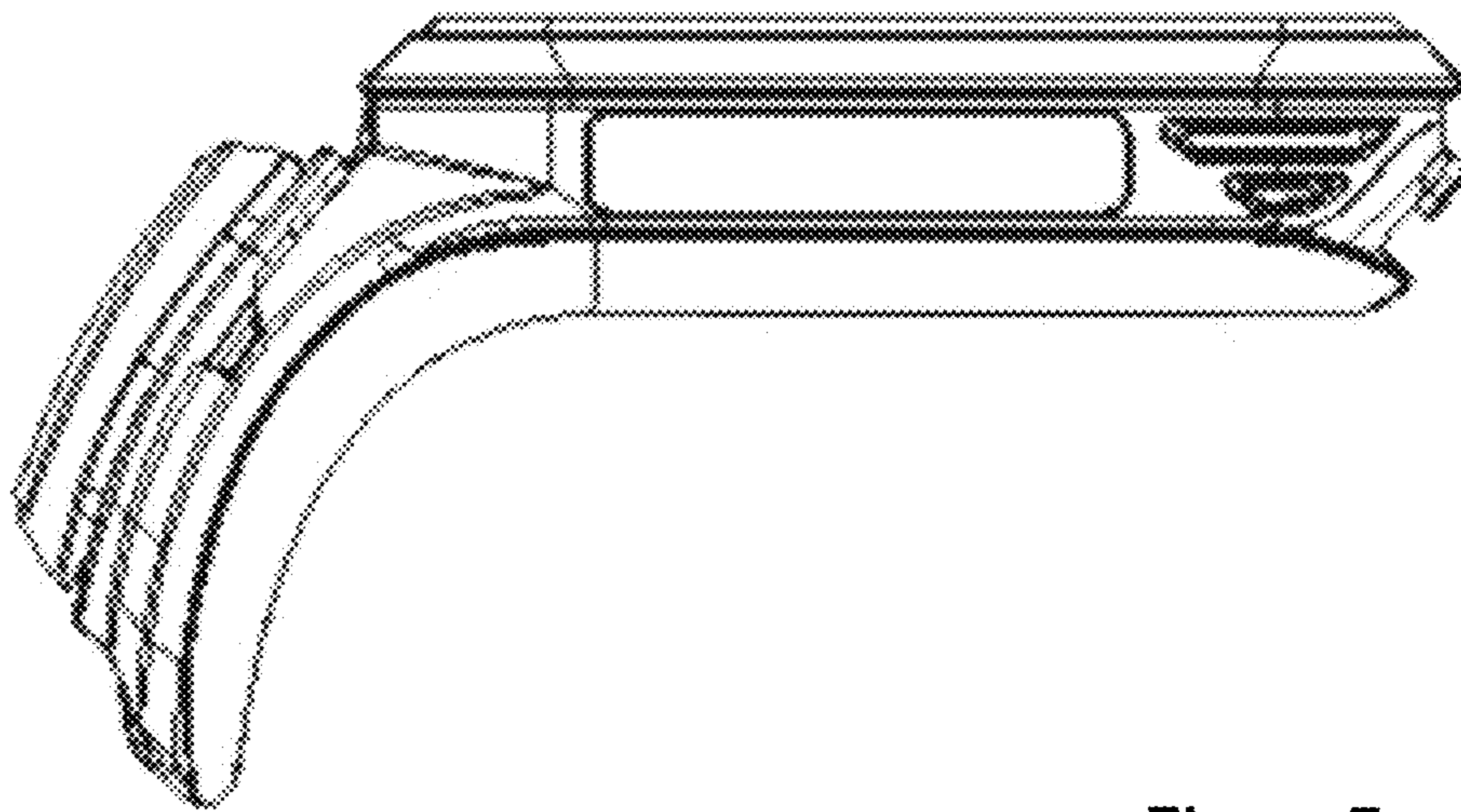


Figure 7