



US00D796355S

(12) **United States Design Patent**  
**Cho et al.**

(10) **Patent No.:** **US D796,355 S**

(45) **Date of Patent:** **\*\* Sep. 5, 2017**

(54) **WEARABLE SENSOR**

(71) Applicant: **Samsung Electronics Co., Ltd.**,  
Suwon-si (KR)

(72) Inventors: **Chul-Ho Cho**, Seongnam-si (KR);  
**Myeong Su Cheon**, Suwon-si (KR);  
**Sangkyu Kim**, Yongin-si (KR);  
**Seungmin Lee**, Seoul (KR)

(73) Assignee: **SAMSUNG ELECTRONICS CO., LTD.**,  
Suwon-si (KR)

(\*\*) Term: **15 Years**

(21) Appl. No.: **29/555,238**

(22) Filed: **Feb. 19, 2016**

(30) **Foreign Application Priority Data**

Aug. 31, 2015 (KR) ..... 30-2015-0043855

(51) **LOC (10) Cl.** ..... **10-04**

(52) **U.S. Cl.**

USPC ..... **D10/70; D10/78; D10/97; D10/98;**  
**D14/203.5; D14/203.6; D14/344; D24/167;**  
**D24/168; D24/186**

(58) **Field of Classification Search**

USPC ..... **D10/70, 78, 97, 98; D14/203.5, 203.6,**  
**D14/344; D24/167, 168, 186**

CPC ... **A61B 5/6801; A61B 5/6802; A61B 5/6813;**  
**A61B 5/6814; A61B 5/6815; A61B**  
**5/6816; A61B 5/6817; A61B 5/6818;**  
**A61B 5/6819; A61B 5/6822; A61B**  
**5/6823; A61B 5/6824; A61B 5/6825;**  
**A61B 5/6826; A61B 5/6828**

See application file for complete search history.

(56) **References Cited**

**U.S. PATENT DOCUMENTS**

D537,004 S 2/2007 Eden et al.  
D700,080 S \* 2/2014 Broadbent ..... D10/65  
D704,581 S \* 5/2014 Ho ..... D10/78

D739,942 S \* 9/2015 Pernu ..... D24/167  
D743,819 S \* 11/2015 Golnik ..... D10/70  
D761,676 S \* 7/2016 Golnik ..... D10/103  
D765,525 S \* 9/2016 Huang ..... D10/70  
D775,233 S \* 12/2016 Beck ..... D14/203.6  
D776,285 S \* 1/2017 Dinger ..... D24/186  
D776,820 S \* 1/2017 Rouillac ..... D24/167  
2016/0270487 A1\* 9/2016 Chen ..... A44B 17/0023  
2016/0270675 A1\* 9/2016 Oz ..... A61B 5/02411

(Continued)

**FOREIGN PATENT DOCUMENTS**

CN 201530011379.1 7/2015  
KR 30-0724441 1/2014

**OTHER PUBLICATIONS**

<http://smartced.en.made-in-china.com/product/JBhEWDecZkVK/China-Smart-Medical-Digital-Thermometer-with-Bluetooth.html>  
(Last accessed Feb. 19, 2016).

*Primary Examiner* — Antoine D Davis

(74) *Attorney, Agent, or Firm* — McAndrews Held & Malloy, Ltd.

(57) **CLAIM**

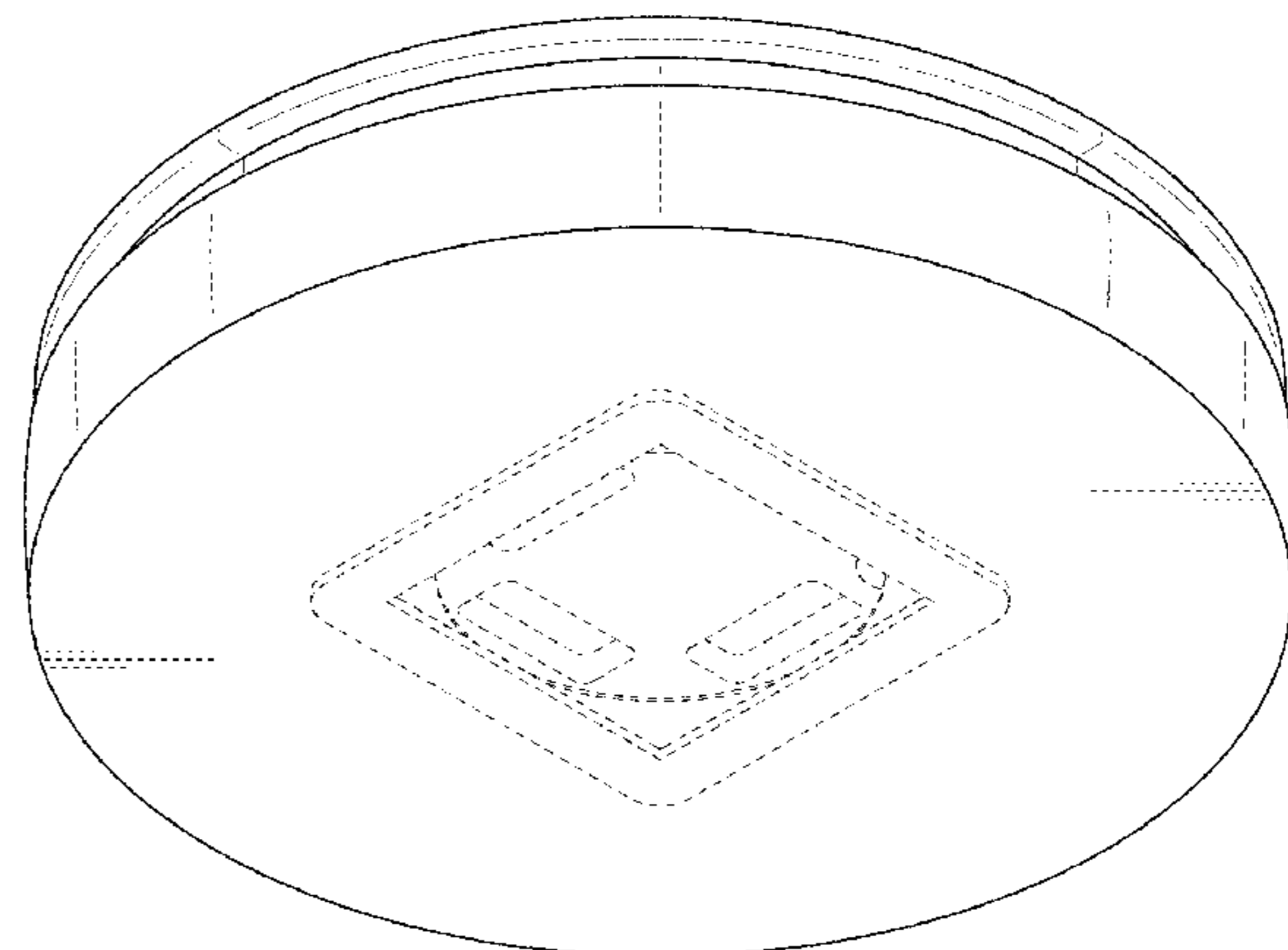
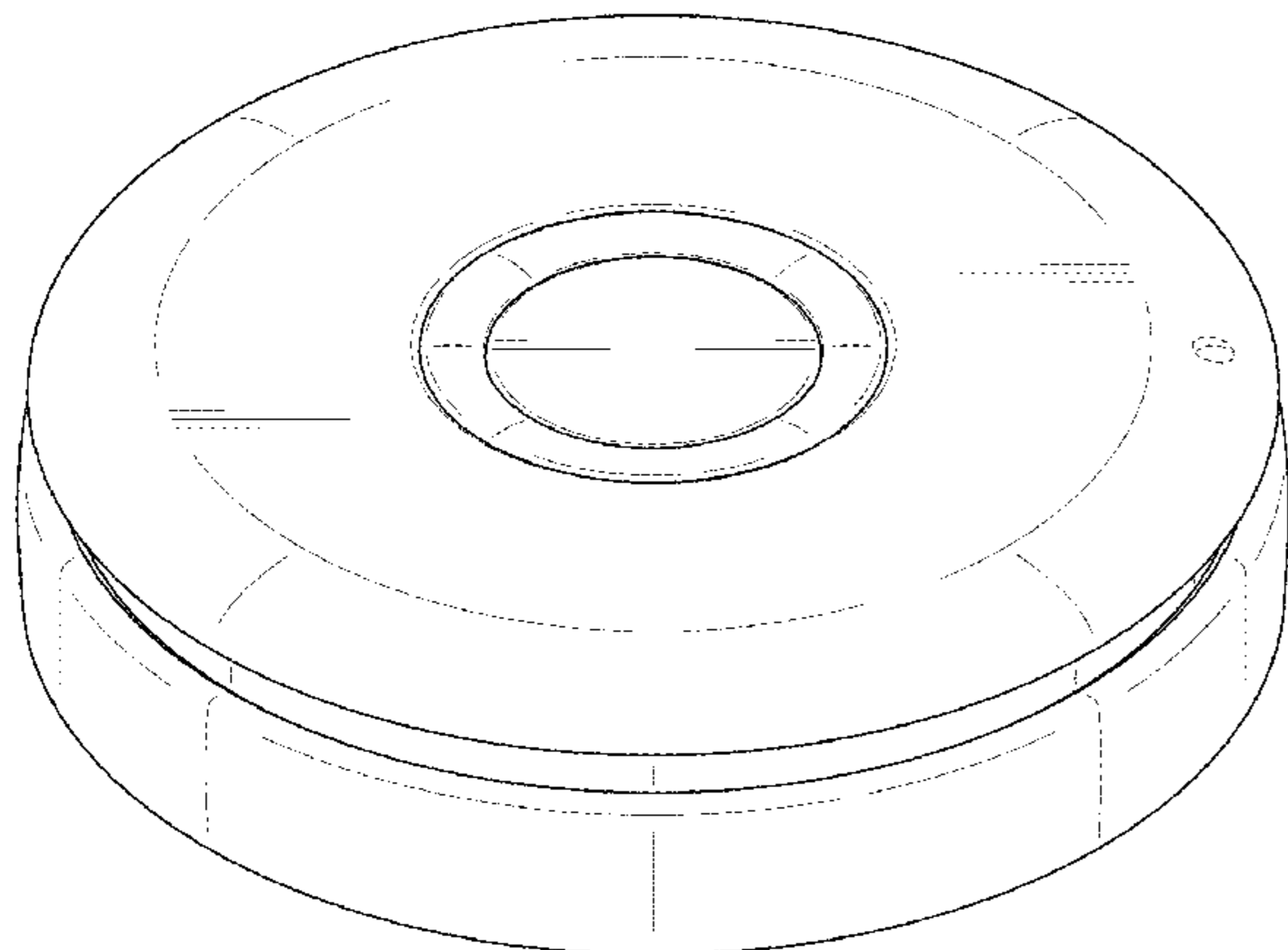
The ornamental design for a wearable sensor, as shown and described.

**DESCRIPTION**

FIG. 1 is a top perspective view of a wearable sensor showing our new design;  
FIG. 2 is a front elevation view thereof;  
FIG. 3 is a rear elevation view thereof;  
FIG. 4 is a left side elevation view thereof;  
FIG. 5 is a right side elevation view thereof;  
FIG. 6 is a top plan view thereof;  
FIG. 7 is a bottom plan view thereof; and,  
FIG. 8 is a bottom perspective view thereof.

The dashed broken lines in the figures represent unclaimed portions of the wearable sensor and form no part of the claimed design.

**1 Claim, 8 Drawing Sheets**



(56)

**References Cited**

U.S. PATENT DOCUMENTS

2016/0270685 A1\* 9/2016 Oz ..... A61B 5/0444  
2017/0024530 A1\* 1/2017 Flitsch ..... H04W 4/023

\* cited by examiner

FIG. 1

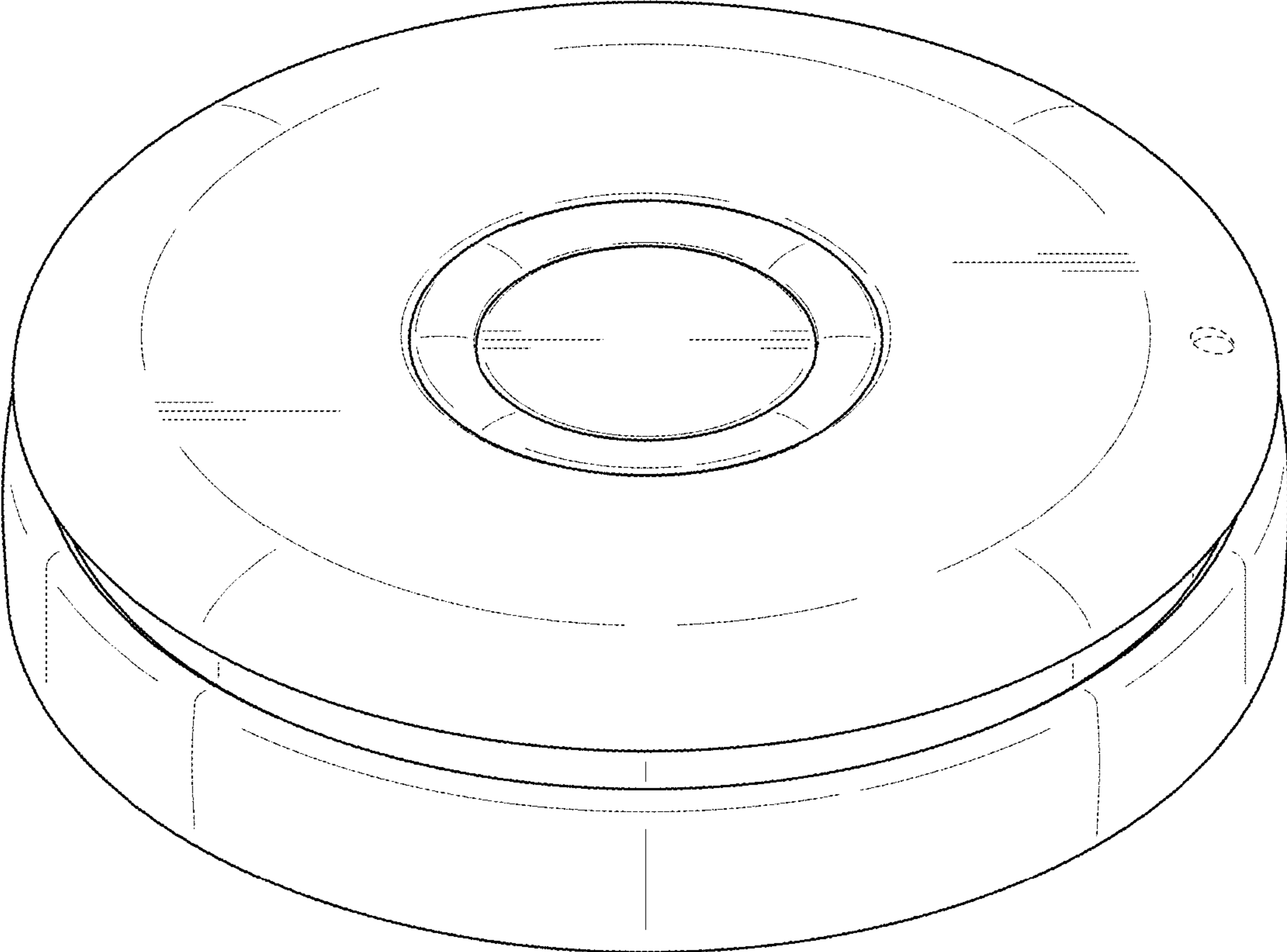


FIG. 2

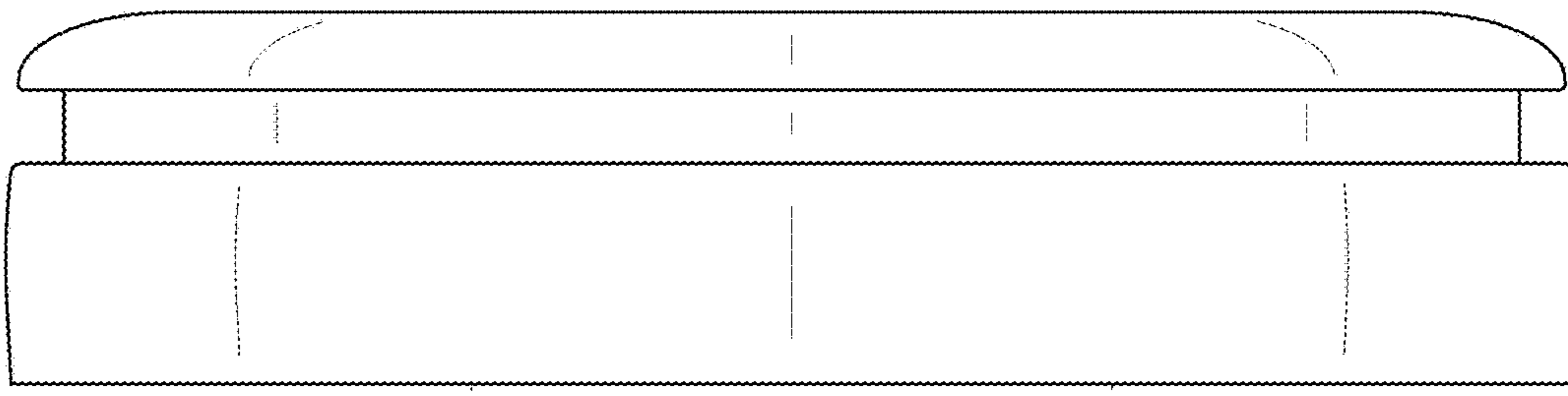


FIG. 3

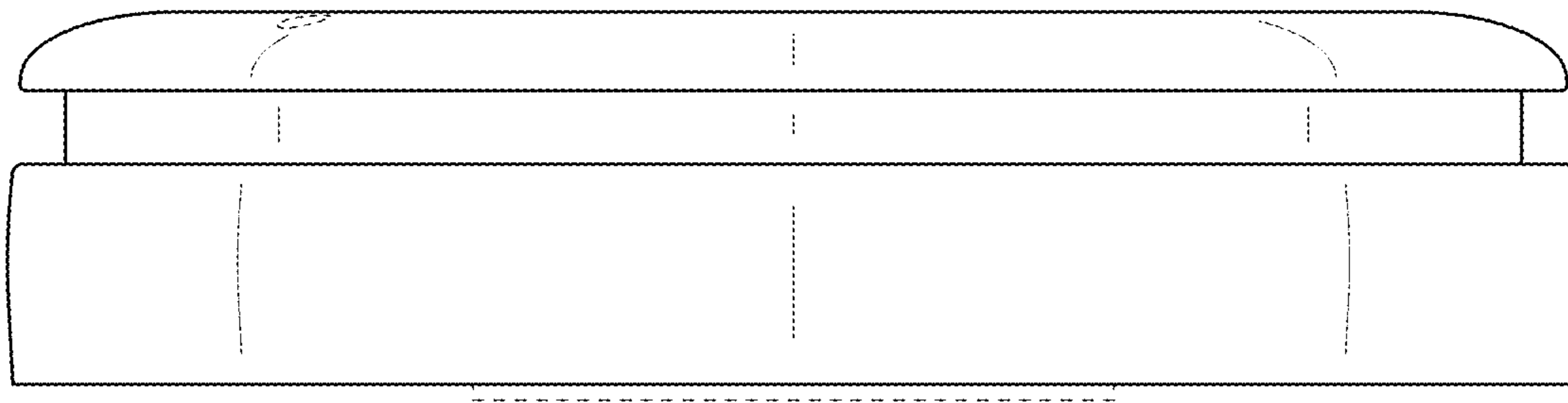


FIG. 4

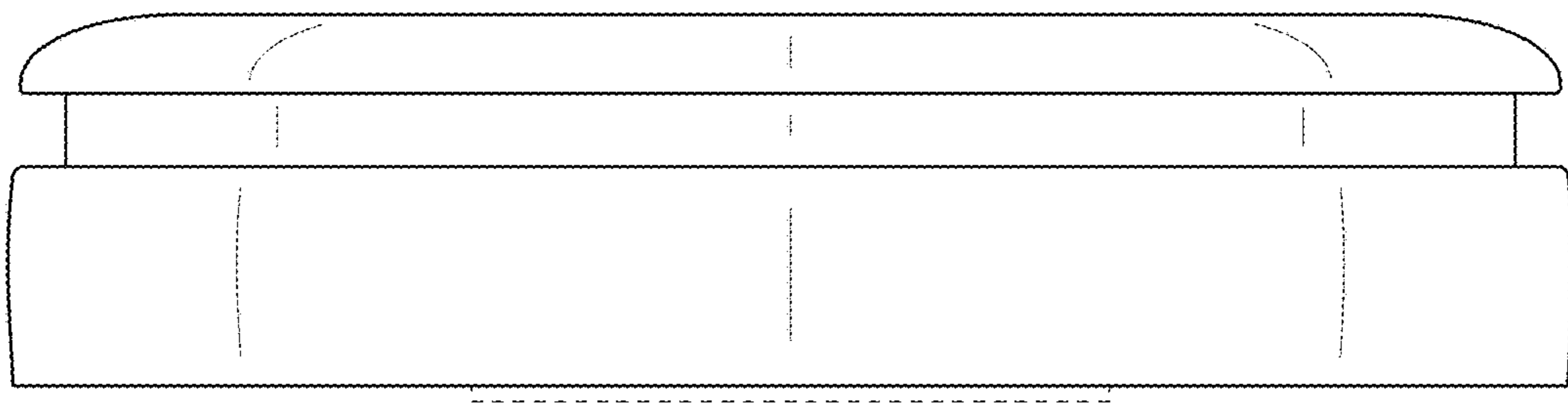


FIG. 5

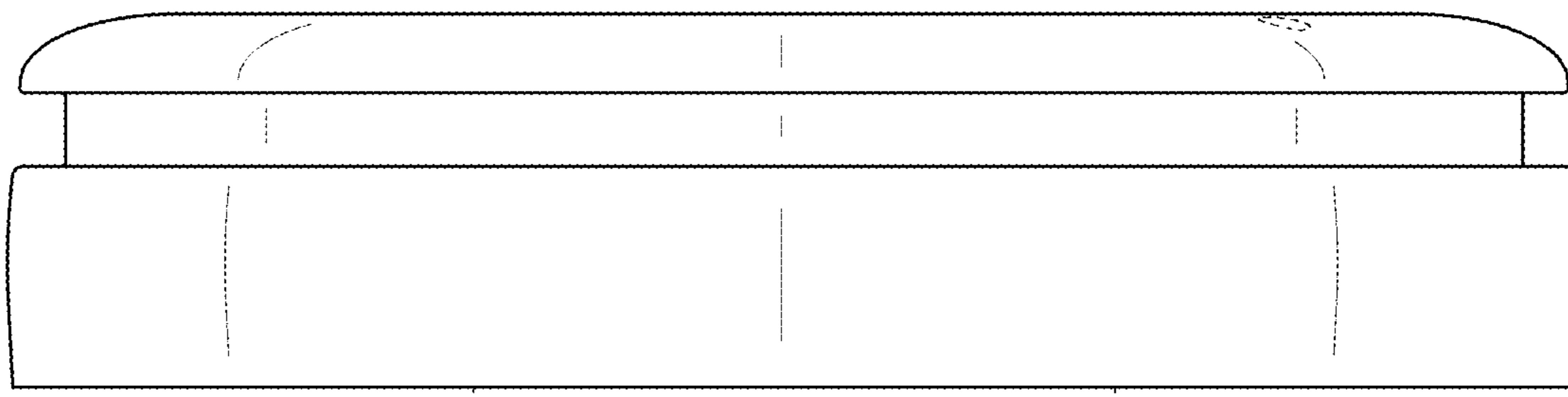


FIG. 6

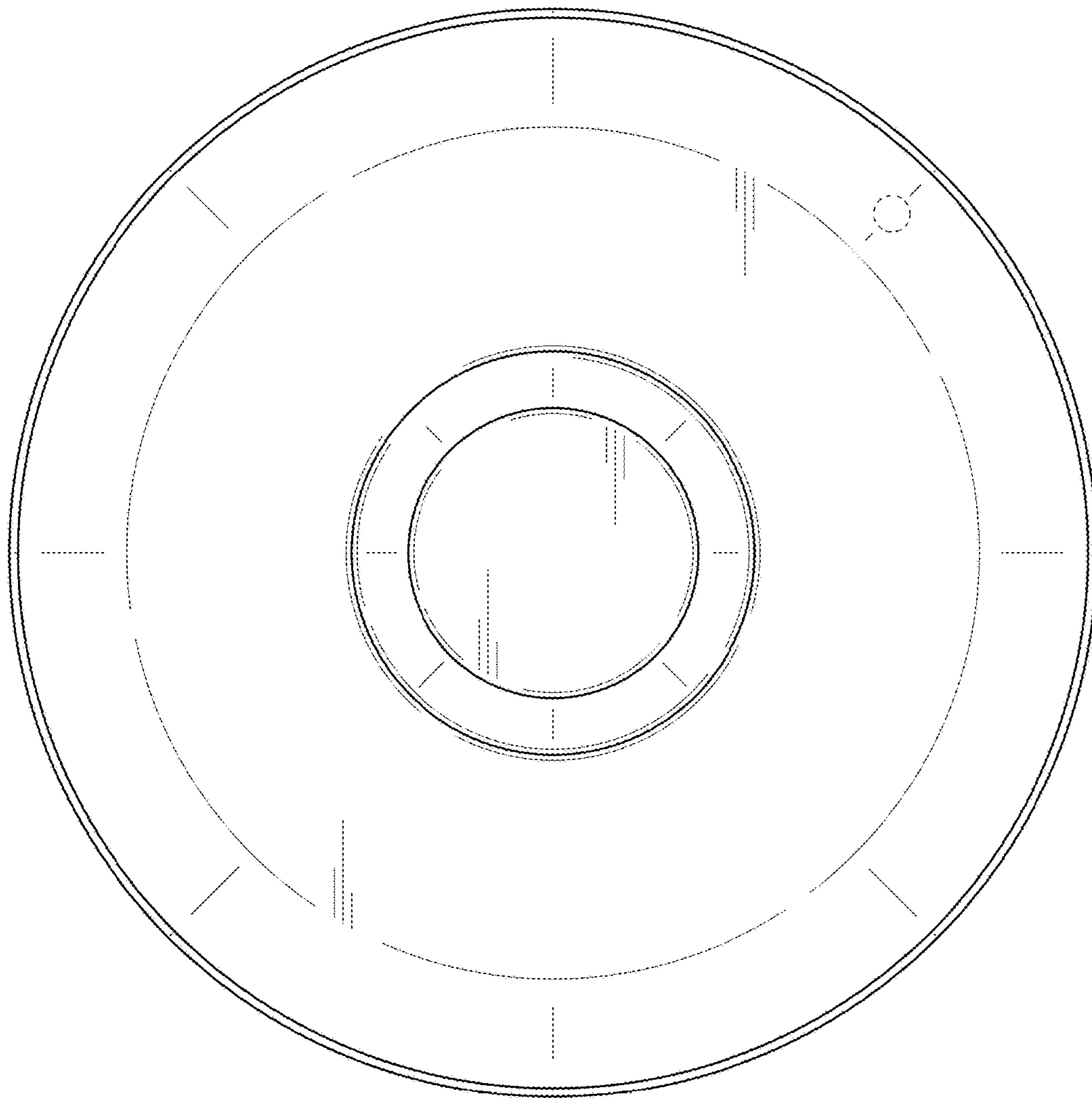




FIG. 7

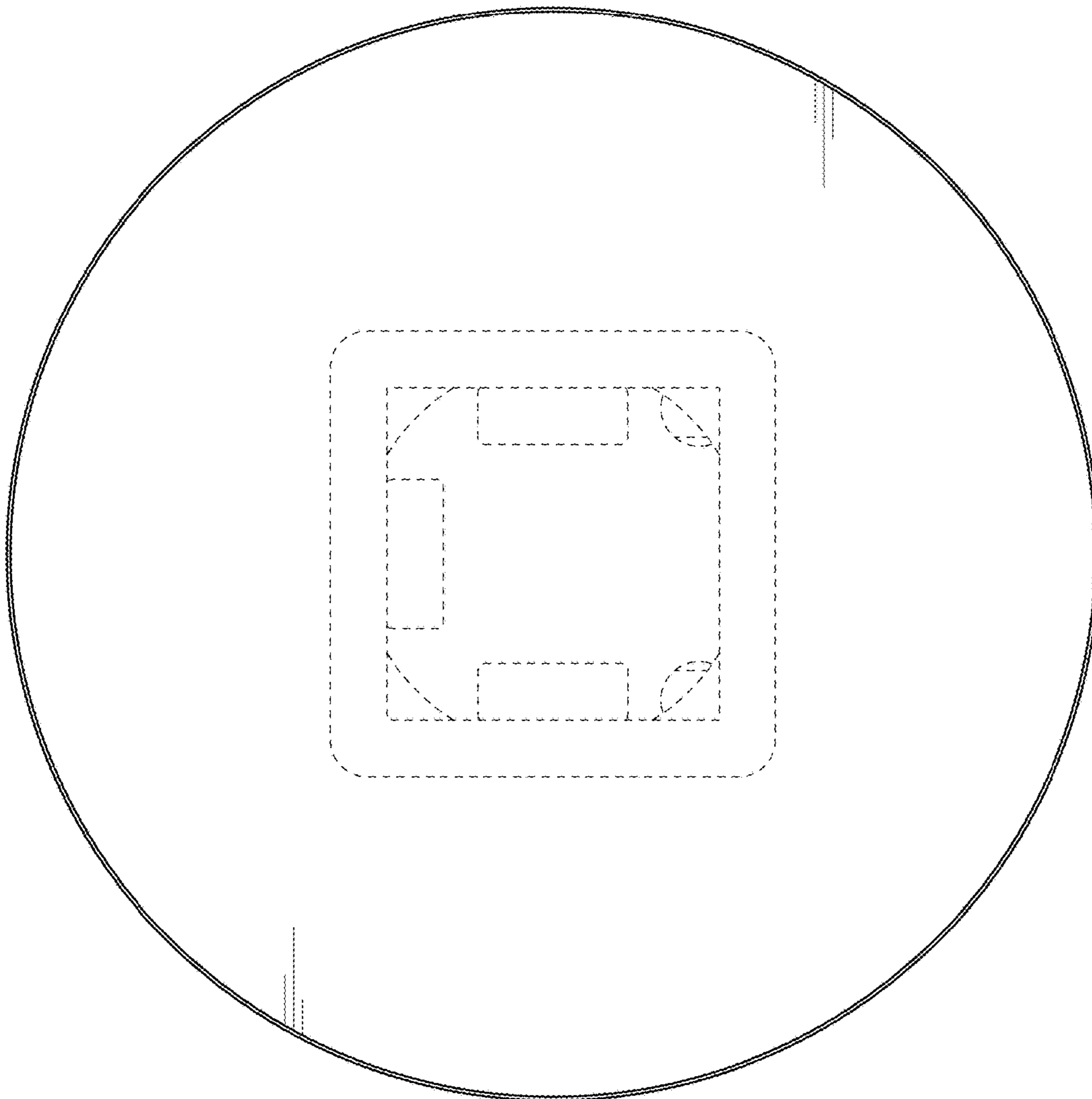


FIG. 8

