



US00D796352S

(12) **United States Design Patent** (10) **Patent No.:** **US D796,352 S**  
**Morneau et al.** (45) **Date of Patent:** **\*\* Sep. 5, 2017**

(54) **THERMOSTAT**

(71) Applicant: **ARTIKA FOR LIVING INC.**, Dorval, Quebec (CA)

(72) Inventors: **Dave Morneau**, Mont St-Hilaire (CA);  
**Alireza Hatamian**, Montreal (CA);  
**Oliver Bradley**, Montreal (CA)

(73) Assignee: **Artika For Living Inc.**, Dorval (CA)

(\*\*) Term: **15 Years**

(21) Appl. No.: **29/563,019**

(22) Filed: **May 2, 2016**

(30) **Foreign Application Priority Data**

Dec. 16, 2015 (CA) ..... 165918

(51) **LOC (10) Cl.** ..... **10-04**

(52) **U.S. Cl.**  
USPC ..... **D10/49; D10/60**

(58) **Field of Classification Search**  
USPC ..... D10/49, 50, 60  
CPC . F23N 5/20; F23N 5/203; F23N 5/206; F23N 5/18; F23N 5/184; F23N 5/187; F23N 5/22; F23N 2025/12; F23N 2041/02; F24F 11/00; F24F 11/0012; F24F 11/0009; F24F 11/001; F24F 2011/0057; F24F 2011/0073; F24F 2011/0091

See application file for complete search history.

(56) **References Cited**

U.S. PATENT DOCUMENTS

D421,399 S *	3/2000	Bennett	.....	D10/103
D595,161 S *	6/2009	Fisher	.....	D10/50
D737,154 S *	8/2015	Jacoby	.....	D10/50
D738,756 S *	9/2015	Jiang	.....	D10/50
D741,269 S *	10/2015	Bhattacharya	.....	D10/50
D744,433 S *	12/2015	Baumgartner	.....	D10/49
D751,426 S *	3/2016	Edgar	.....	D10/50

\* cited by examiner

*Primary Examiner* — Antoine D Davis

(74) *Attorney, Agent, or Firm* — Brouillette Legal Inc.;  
Robert Brouillette

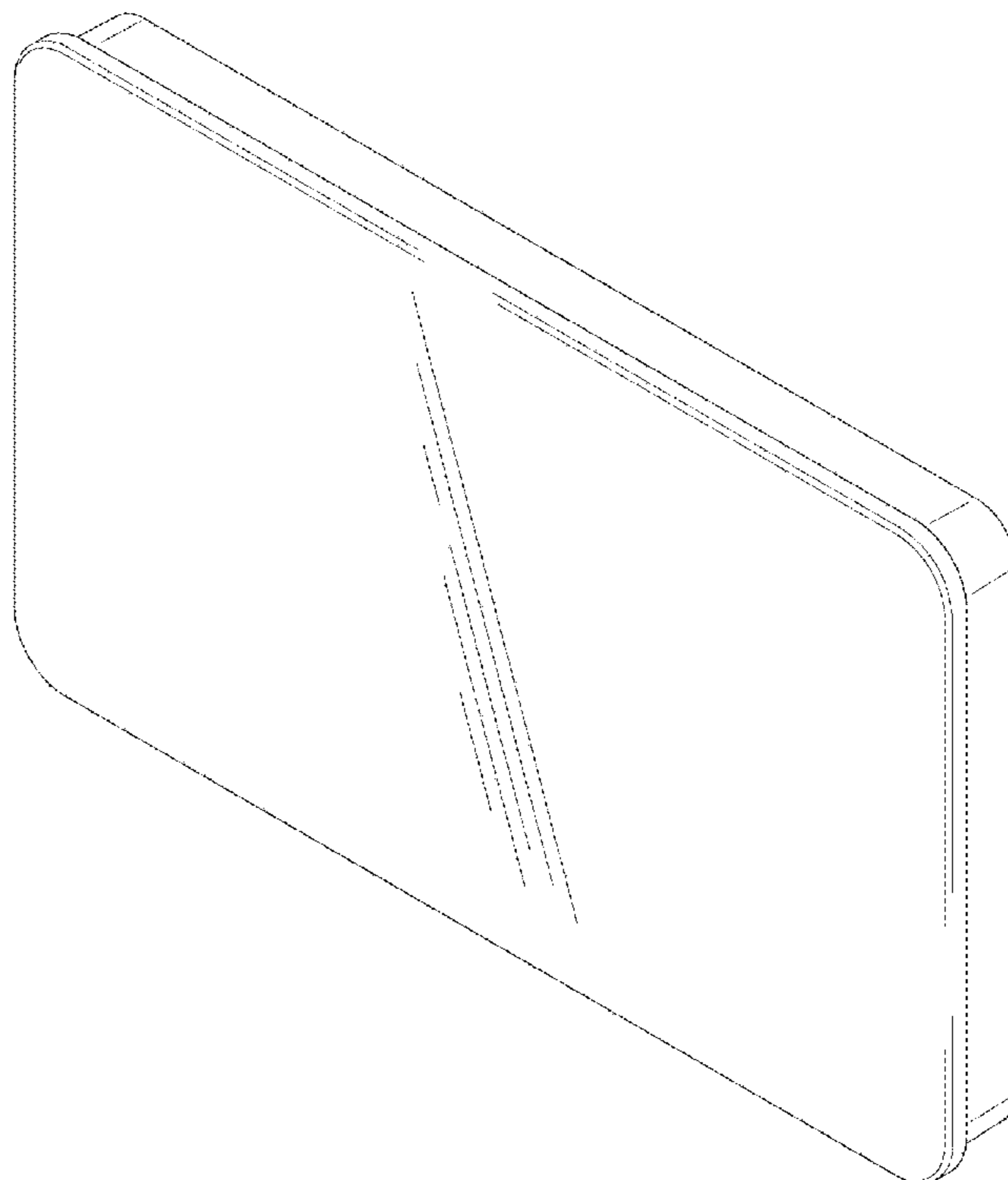
(57) **CLAIM**

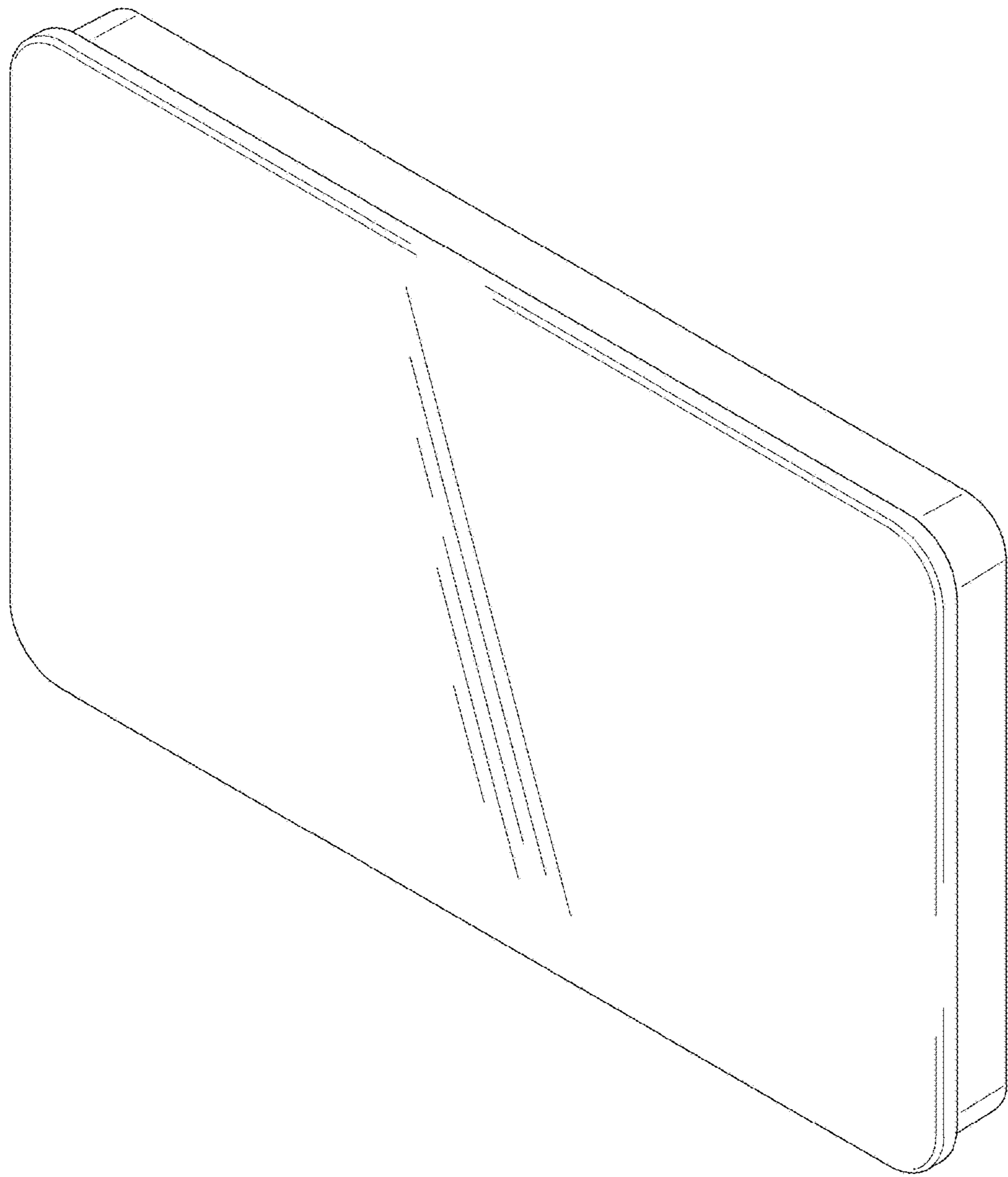
The ornamental design for a thermostat, as shown.

**DESCRIPTION**

FIG. 1 is a perspective view of a thermostat;  
FIG. 2 is a front elevation view of the thermostat;  
FIG. 3 is a left side elevation view of the thermostat;  
FIG. 4 is a right side elevation view of the thermostat;  
FIG. 5 is a rear elevation view of the thermostat;  
FIG. 6 is a top plan view of the thermostat; and,  
FIG. 7 is a bottom plan view of the thermostat.  
The broken lines are for environmental purposes only and form no part of the claimed design.

**1 Claim, 7 Drawing Sheets**





*FIG. 1*

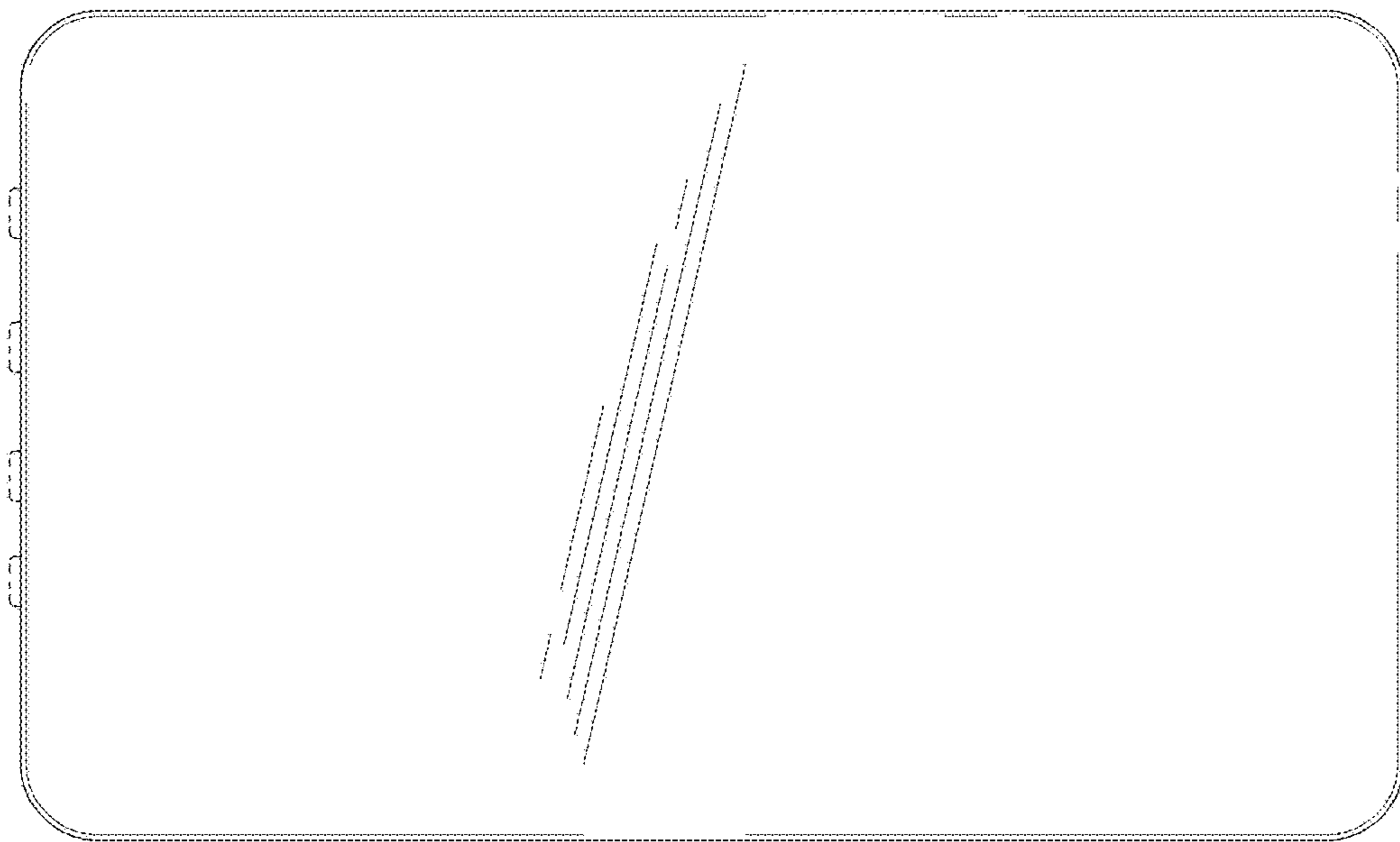
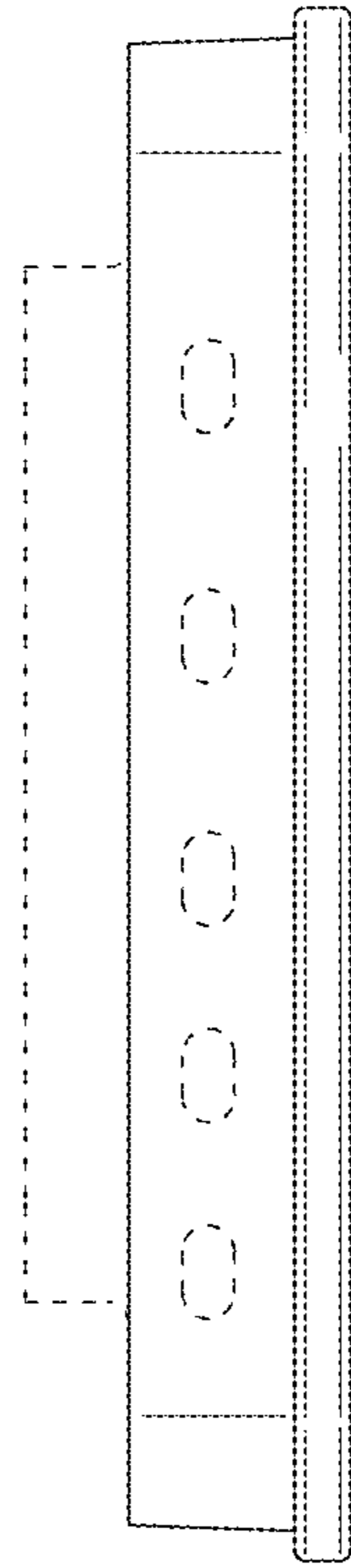
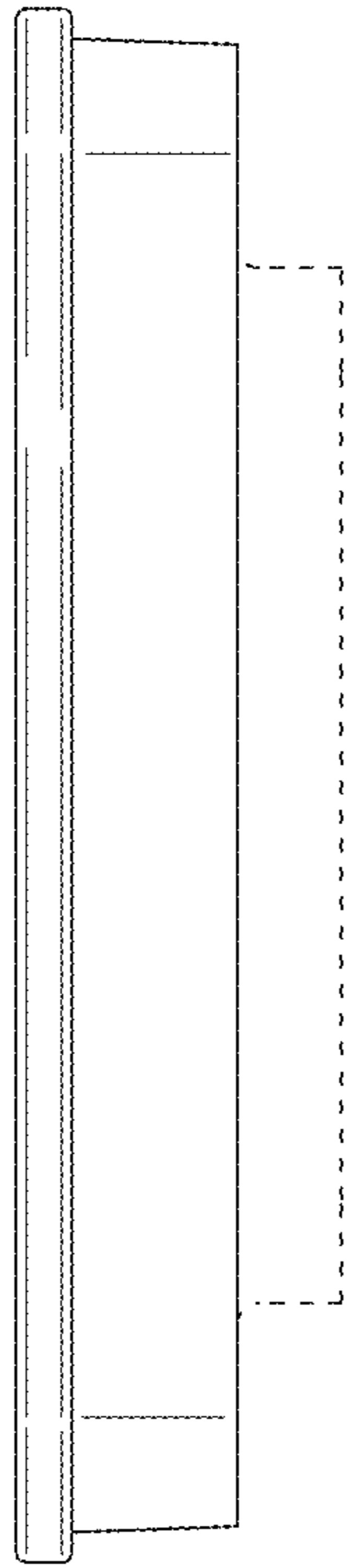


FIG. 2



*FIG. 3*



*FIG. 4*

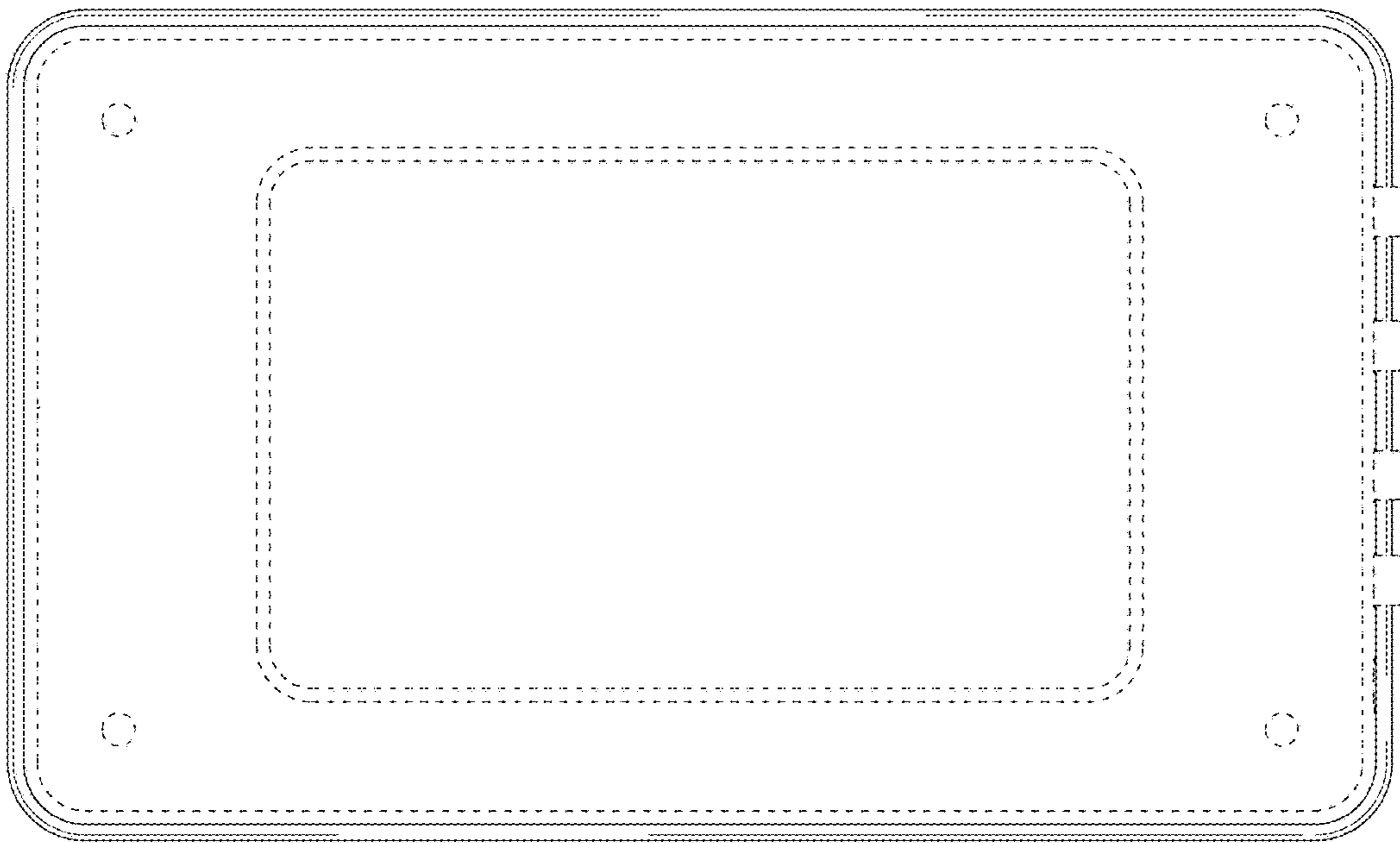


FIG. 5

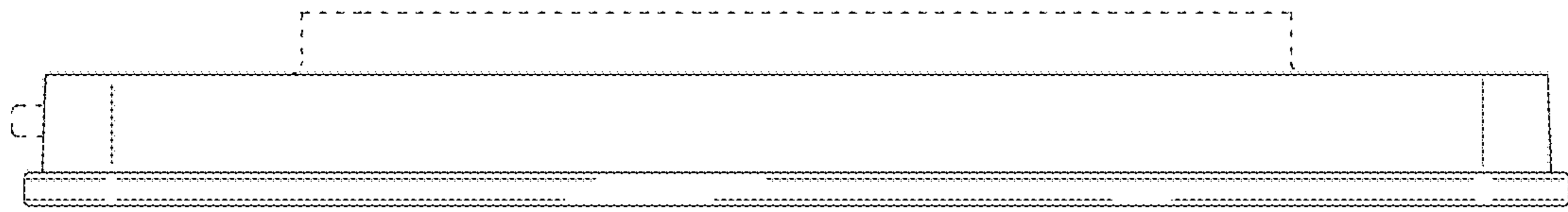


FIG. 6

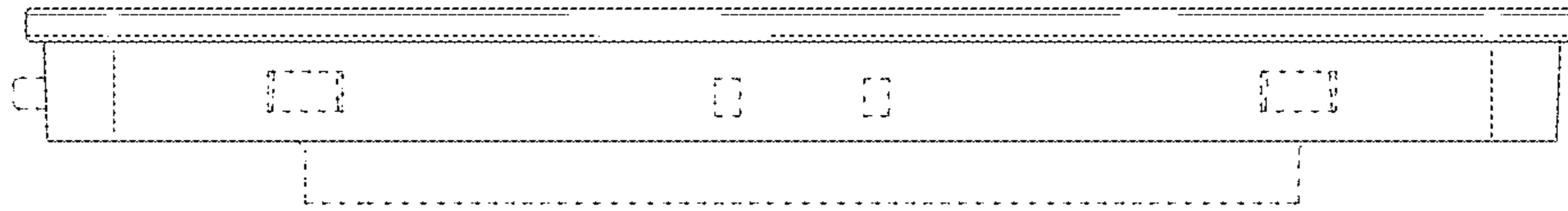


FIG. 7