



US00D796349S

(12) **United States Design Patent** (10) **Patent No.:** **US D796,349 S**
Rogers et al. (45) **Date of Patent:** **** Sep. 5, 2017**

- (54) **TIMER COVER**
- (71) Applicant: **Time Timer LLC**, Cincinnati, OH (US)
- (72) Inventors: **Janice L. Rogers**, Cincinnati, OH (US);
David M. Rogers, Cincinnati, OH (US);
Tricia L. Wright, San Francisco, CA (US)
- (73) Assignee: **Time Timer LLC**, Cincinnati, OH (US)
- (**) Term: **15 Years**
- (21) Appl. No.: **29/596,959**
- (22) Filed: **Mar. 13, 2017**

D89,168 S *	2/1933	Carlson	D10/26
2,011,517 A	8/1935	Geoffrion		
D100,403 S *	7/1936	Worms	D10/21
2,255,188 A	9/1941	Rieper		
D161,338 S	12/1950	Hobby		
D171,970 S	4/1954	Duncan		
2,816,373 A	12/1957	Caddy		
3,088,270 A	5/1963	King et al.		
3,254,927 A *	6/1966	Harvey	A47B 81/067 206/309
D208,930 S	10/1967	Johnson et al.		
D215,951 S	11/1969	Arato et al.		
3,508,350 A	4/1970	Genin		
D218,344 S	8/1970	Baumann		
3,608,214 A	9/1971	Rancati		
3,668,858 A	6/1972	Hartwig		
D226,786 S *	4/1973	Bowling	D19/78

(Continued)

Related U.S. Application Data

- (62) Division of application No. 29/576,981, filed on Sep. 8, 2016, now Pat. No. Des. 785,471, which is a division of application No. 29/527,000, filed on May 14, 2015, now Pat. No. Des. 770,310.

- (51) **LOC (10) Cl.** **10-03**
- (52) **U.S. Cl.**
USPC **D10/40**

- (58) **Field of Classification Search**
USPC D10/30-39, 1-29, 122-132
CPC G04B 17/00; G04B 17/02; G04B 17/005;
G04B 17/285; G04B 37/00; G04B
37/0008; G04B 37/0058; G04B 45/00;
G04B 45/038; G04B 45/0069; G04B
45/0076; G04B 45/02; G04B 29/00
See application file for complete search history.

- (56) **References Cited**
U.S. PATENT DOCUMENTS

680,018 A	8/1901	Brake		
776,297 A	11/1904	Cordeiro		
D43,733 S	3/1913	Buckland		
D83,253 S *	2/1931	Gatesy	D10/15

Primary Examiner — Susan Bennett Hattan
Assistant Examiner — Jennifer Campbell
 (74) *Attorney, Agent, or Firm* — Wood, Herron & Evans, LLP

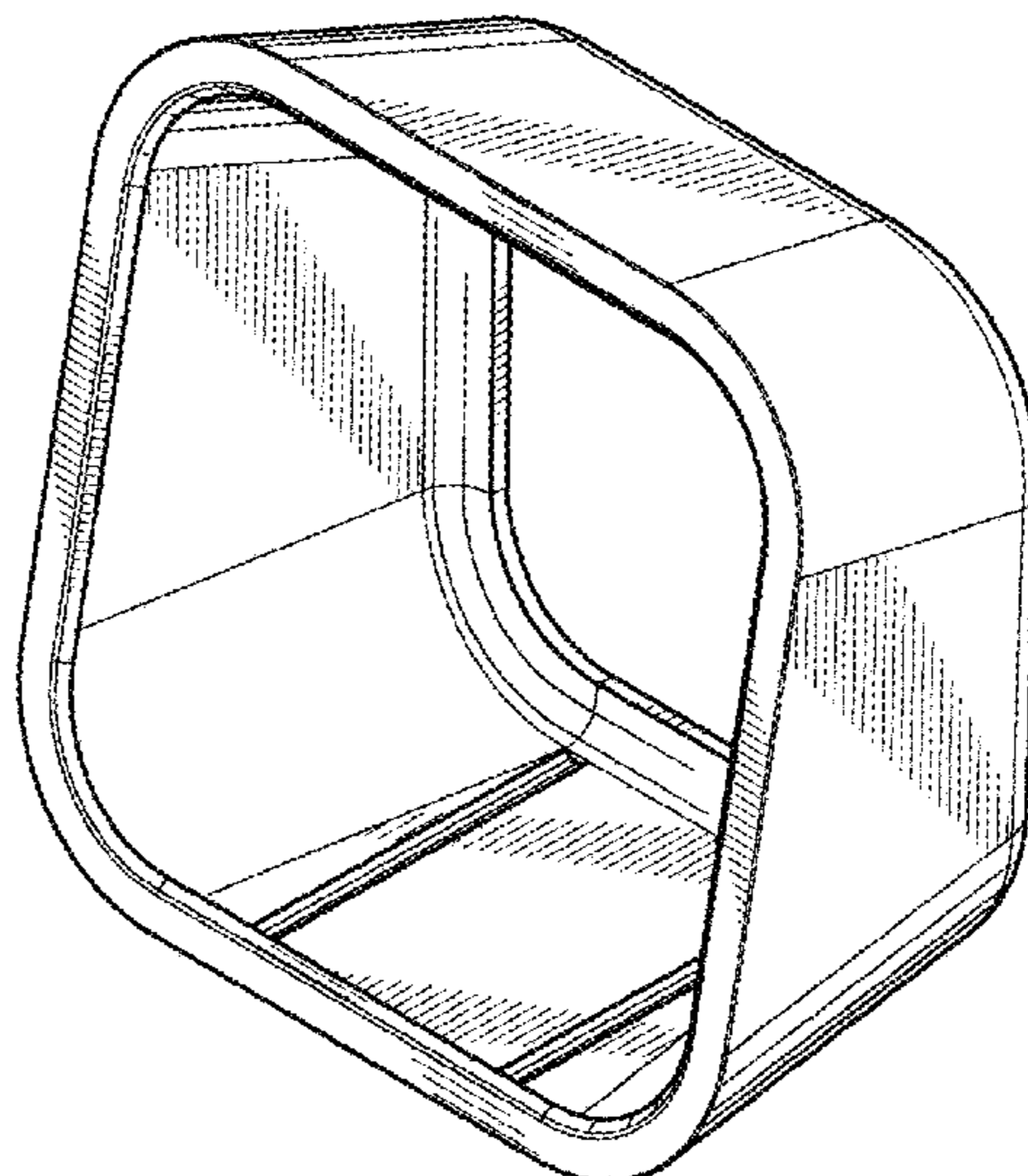
(57) **CLAIM**

The ornamental design for a timer cover, as shown and described.

DESCRIPTION

FIG. 1 is a perspective view of a timer cover illustrating our new design;
 FIG. 2 is a rear perspective view thereof;
 FIG. 3 is a front view thereof;
 FIG. 4 is a right side view thereof, the left side being a mirror image thereof;
 FIG. 5 is a rear view thereof;
 FIG. 6 is a top view thereof; and,
 FIG. 7 is a bottom view thereof.
 Any elements shown in broken lines form no part of the claimed invention, and are instead included to show environmental aspects of the claimed invention.

1 Claim, 3 Drawing Sheets



(56)

References Cited

U.S. PATENT DOCUMENTS

3,771,246 A * 11/1973 Ebner A47G 1/14
40/720
3,803,831 A 4/1974 Horzick
D255,101 S * 5/1980 Booty D10/15
D260,375 S 8/1981 Kane et al.
4,368,045 A 1/1983 Kuh
D268,686 S 4/1983 Wolf
D271,567 S 11/1983 Powell
4,449,833 A * 5/1984 Montgomery, IV ... G04B 23/00
368/262
D274,191 S * 6/1984 Aoijs D10/15
D277,556 S * 2/1985 Pappas D10/15
4,530,607 A 7/1985 Bungener
D287,699 S 1/1987 Morris
4,659,233 A 4/1987 Nakamura et al.
D298,609 S 11/1988 Dawson, Jr.
4,885,731 A 12/1989 Massaro
4,945,522 A 7/1990 Radel
D316,819 S 5/1991 Odaka
5,044,961 A 9/1991 Bruskevitz
D321,141 S 10/1991 Aikawa
5,167,507 A 12/1992 Cobb et al.

D346,965 S 5/1994 Wolff
D347,656 S 6/1994 Bumbarger
D354,627 S * 1/1995 Rowan D30/101
D369,619 S 5/1996 Rogers
5,662,479 A 9/1997 Rogers
5,851,118 A 12/1998 Woldenberg et al.
D415,966 S * 11/1999 Hargrove, III D10/1
D416,808 S * 11/1999 Haruta D10/21
6,543,167 B1 * 4/2003 Dwyer A47B 21/045
248/442.2
D475,303 S * 6/2003 Lau D10/15
6,792,709 B1 * 9/2004 Fine A47G 1/0616
40/720
D513,024 S * 12/2005 Christianson G04D 7/009
D15/199
7,121,833 B2 10/2006 Brown et al.
D544,371 S * 6/2007 Bhavnani D10/15
D553,514 S 10/2007 Tanaka et al.
D583,686 S 12/2008 Forakis
D636,373 S * 4/2011 Miu D10/2
D642,078 S 7/2011 Balter et al.
D671,016 S 11/2012 Rogers et al.
D705,089 S 5/2014 Rogers et al.
D770,310 S * 11/2016 Rogers D10/40
D785,471 S * 5/2017 Rogers D10/40

* cited by examiner

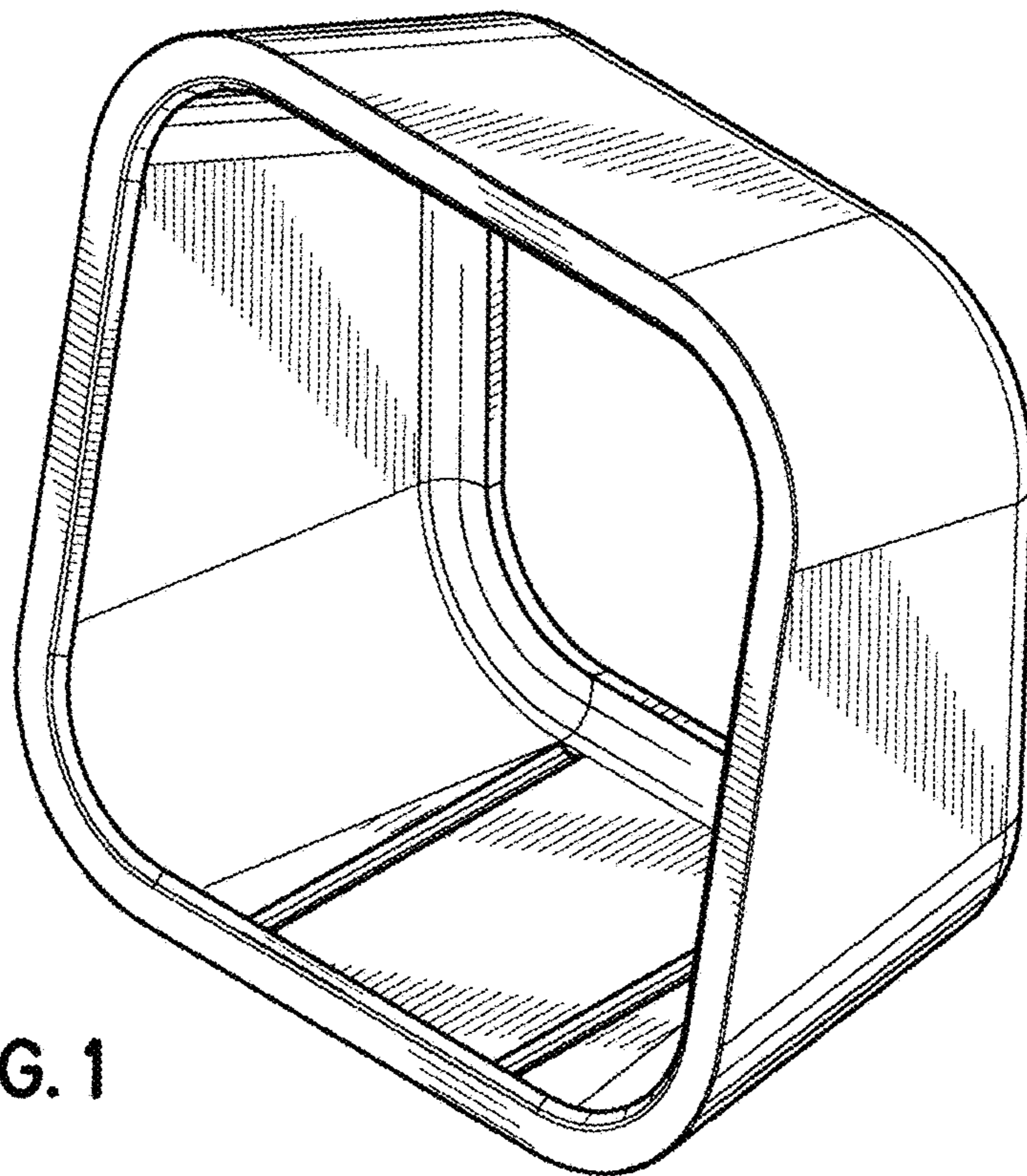


FIG. 1

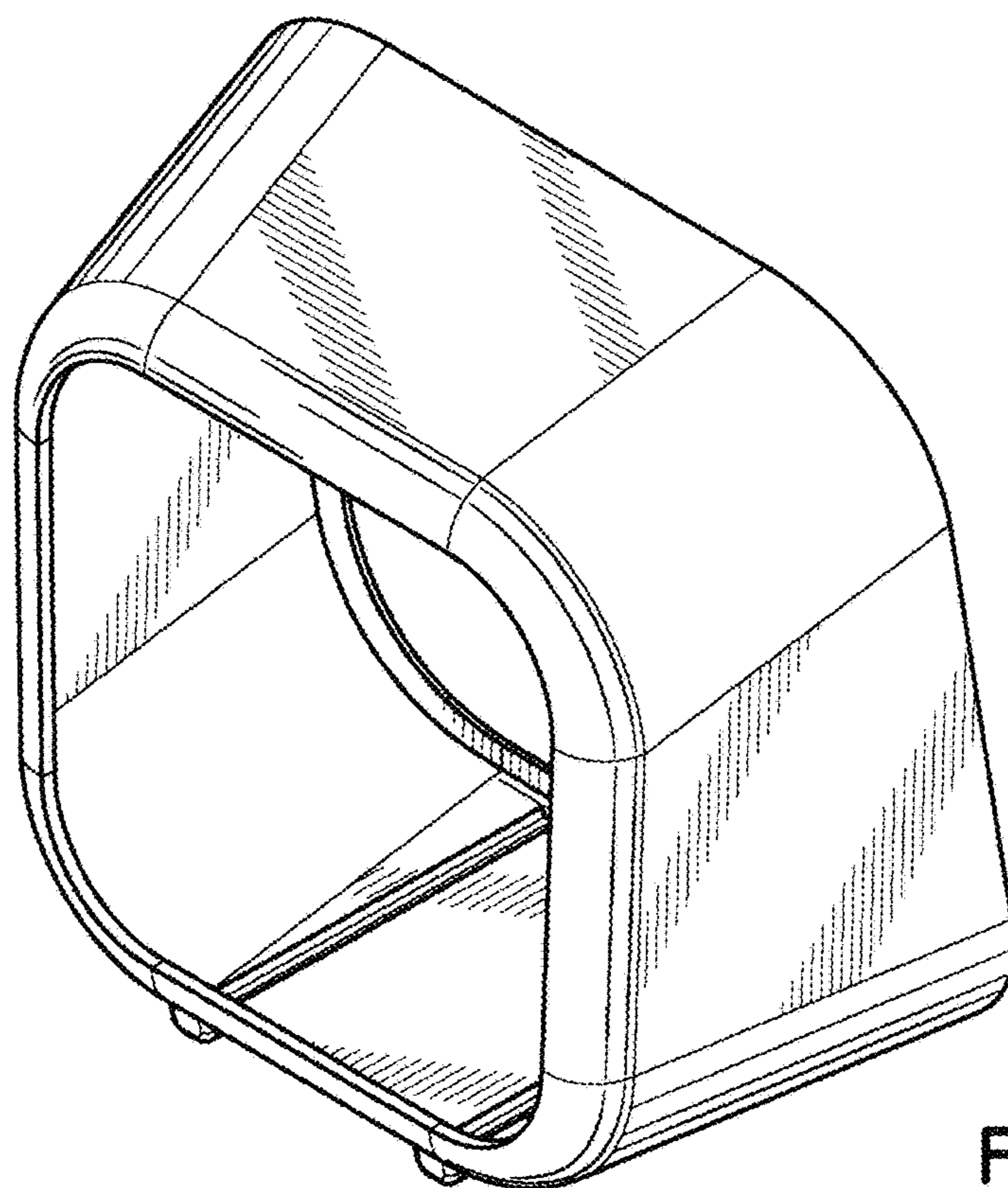


FIG. 2

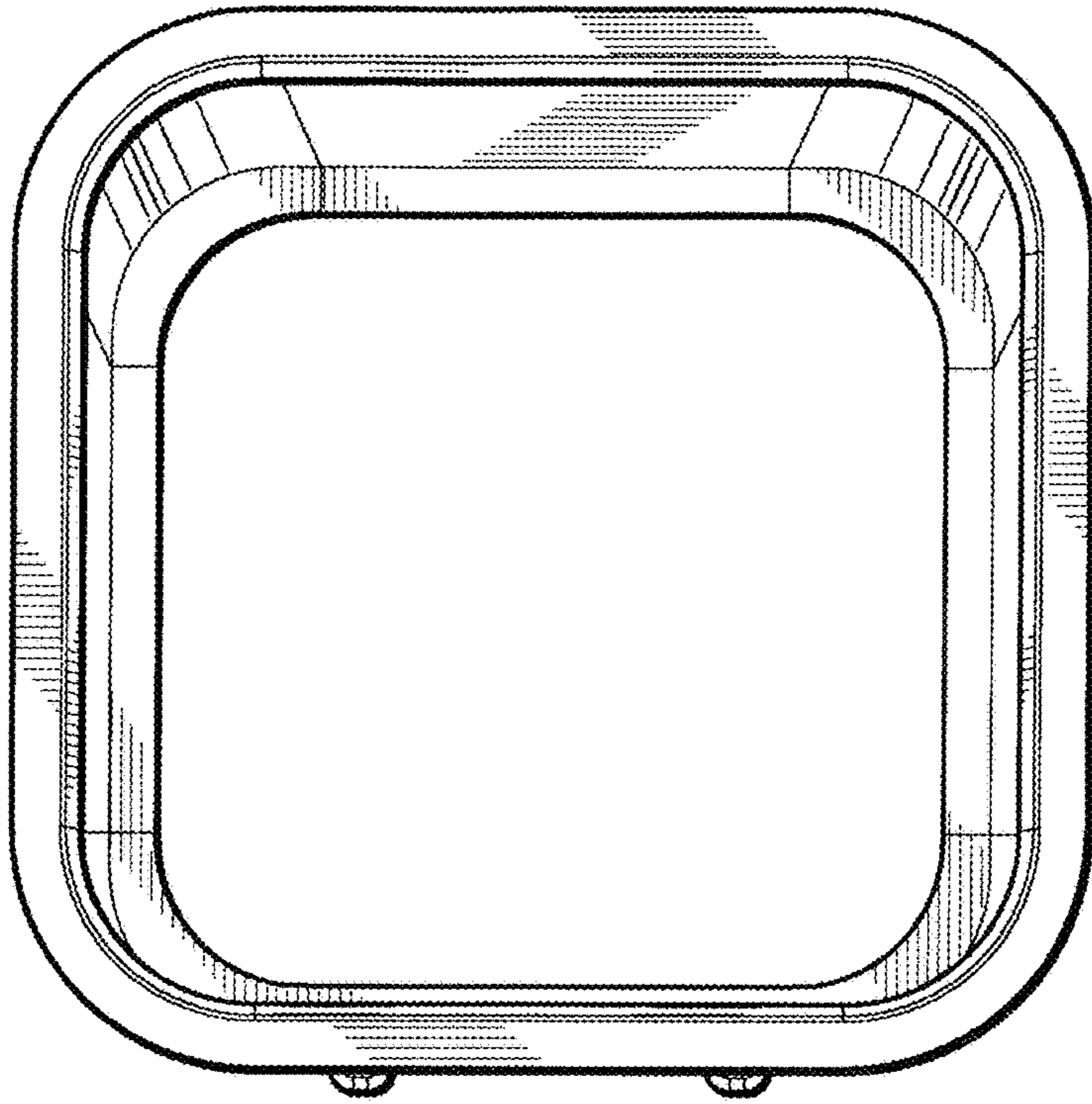


FIG. 3

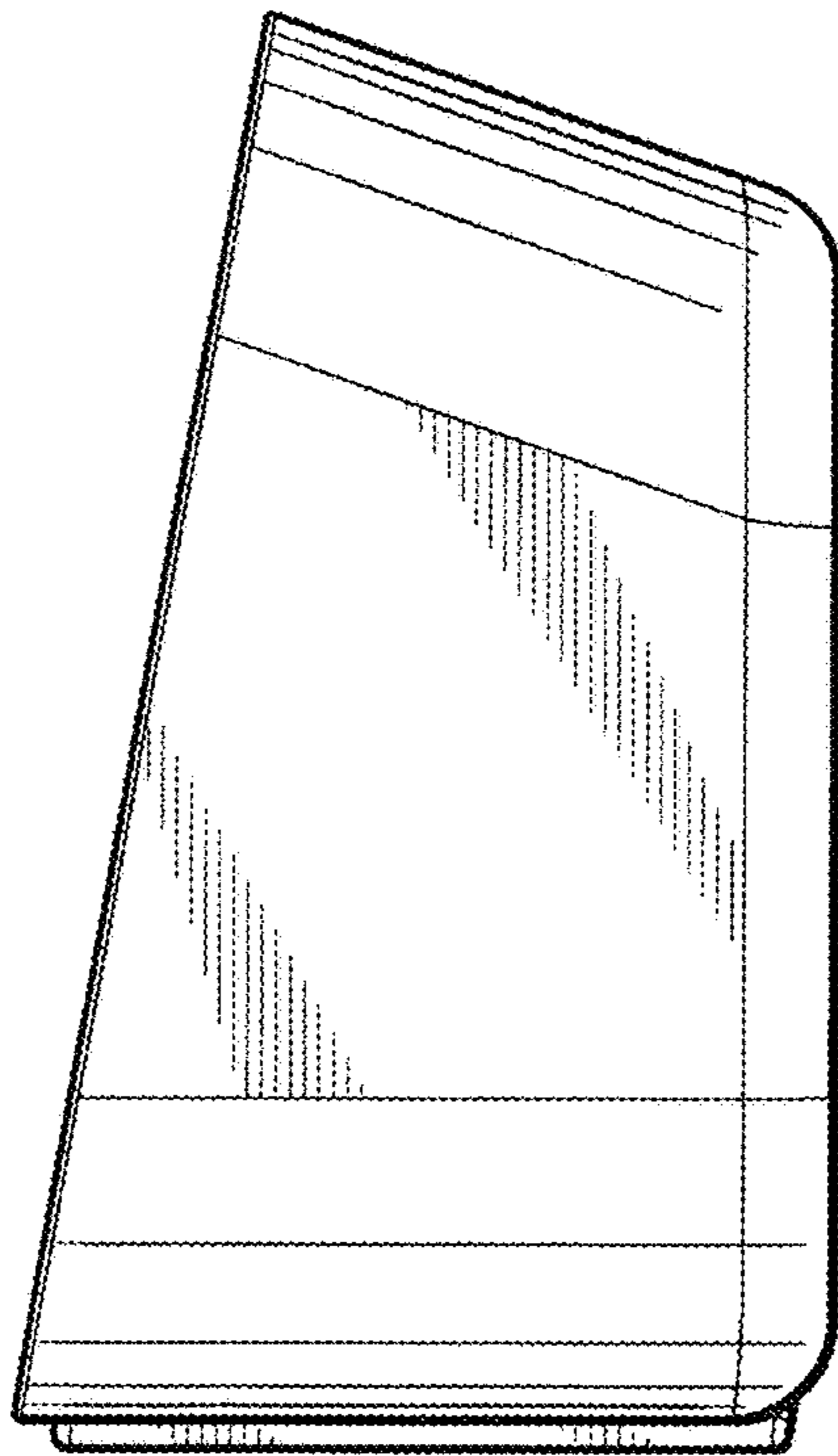


FIG. 4

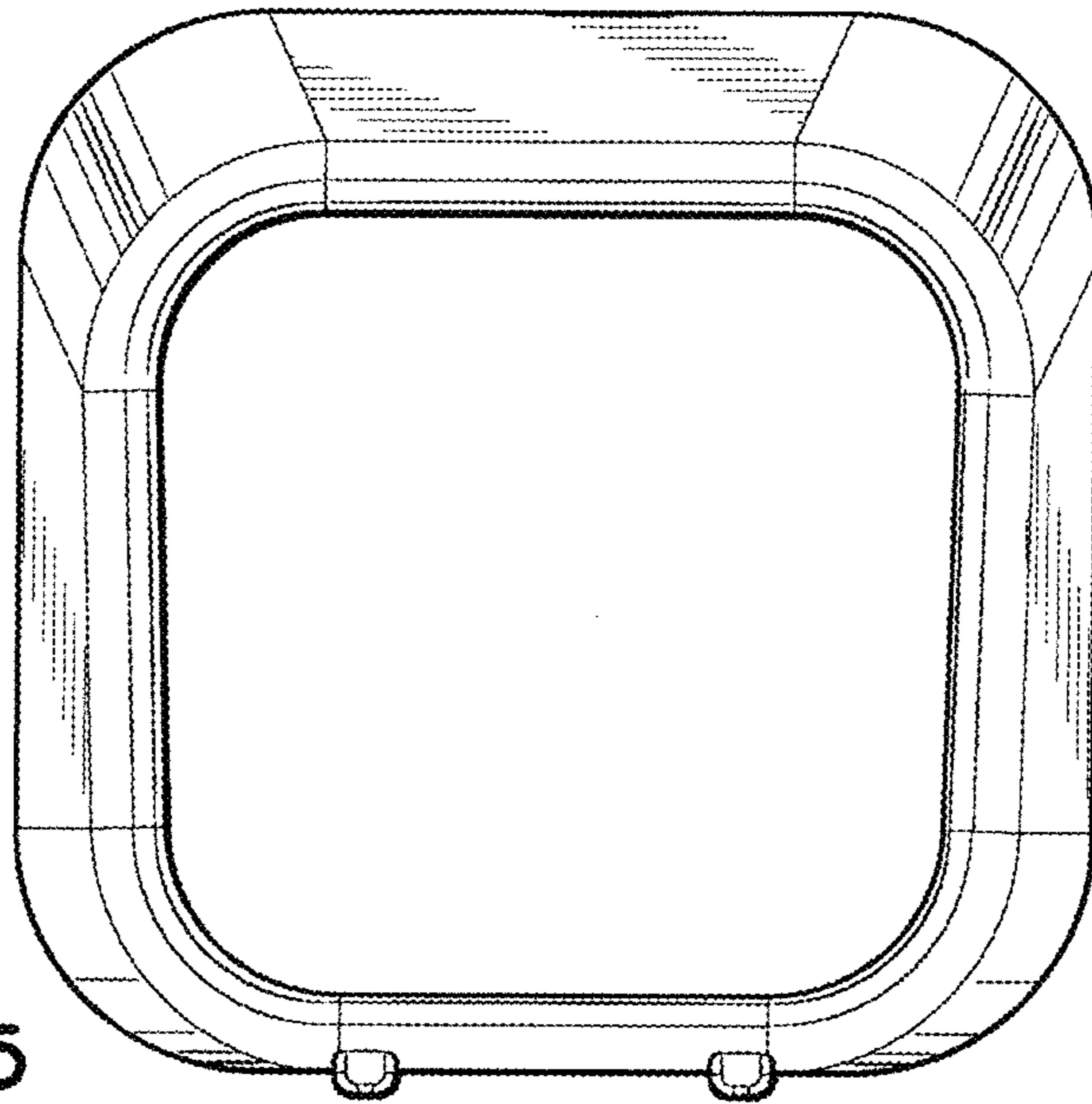


FIG. 5

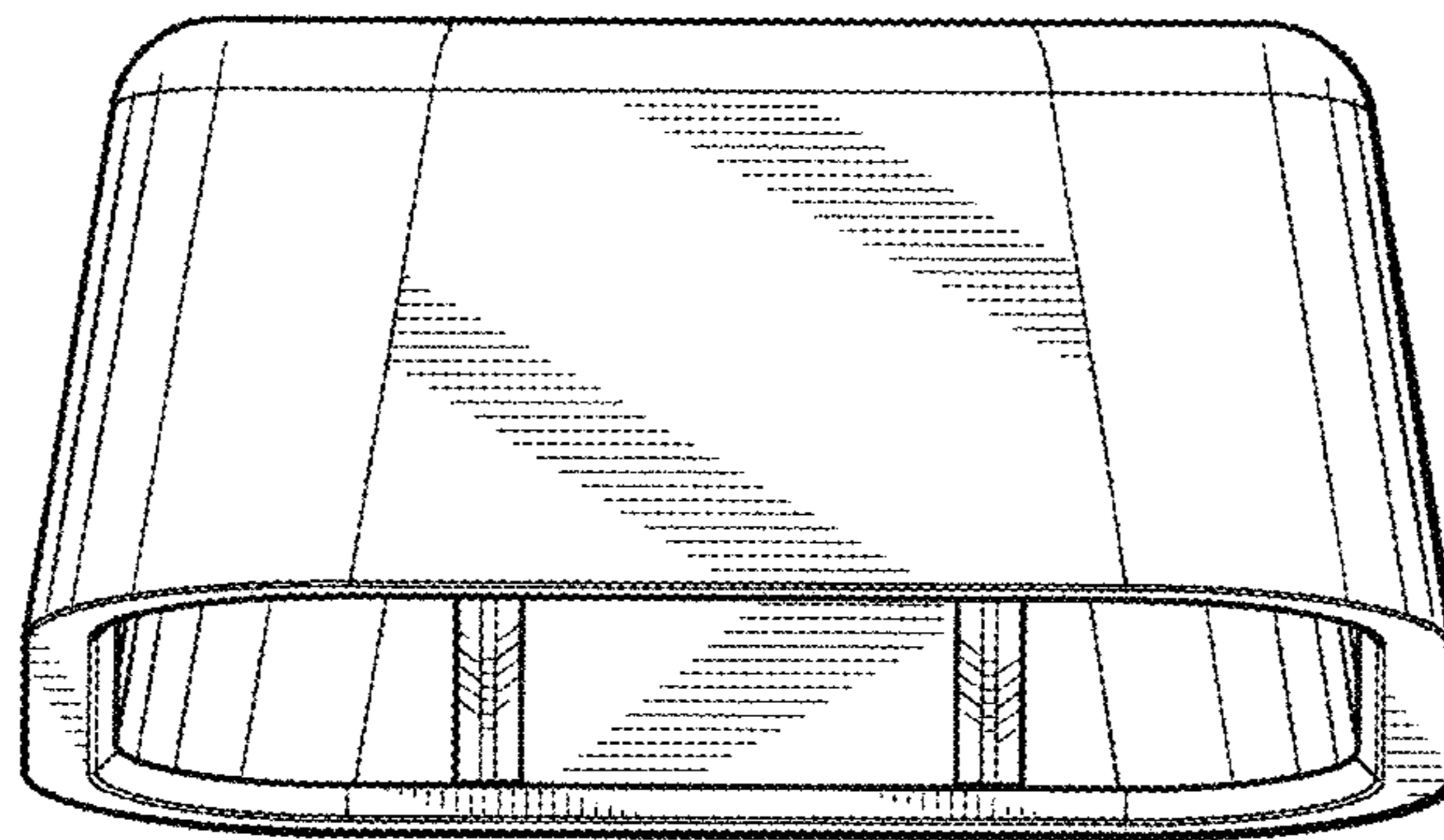


FIG. 6

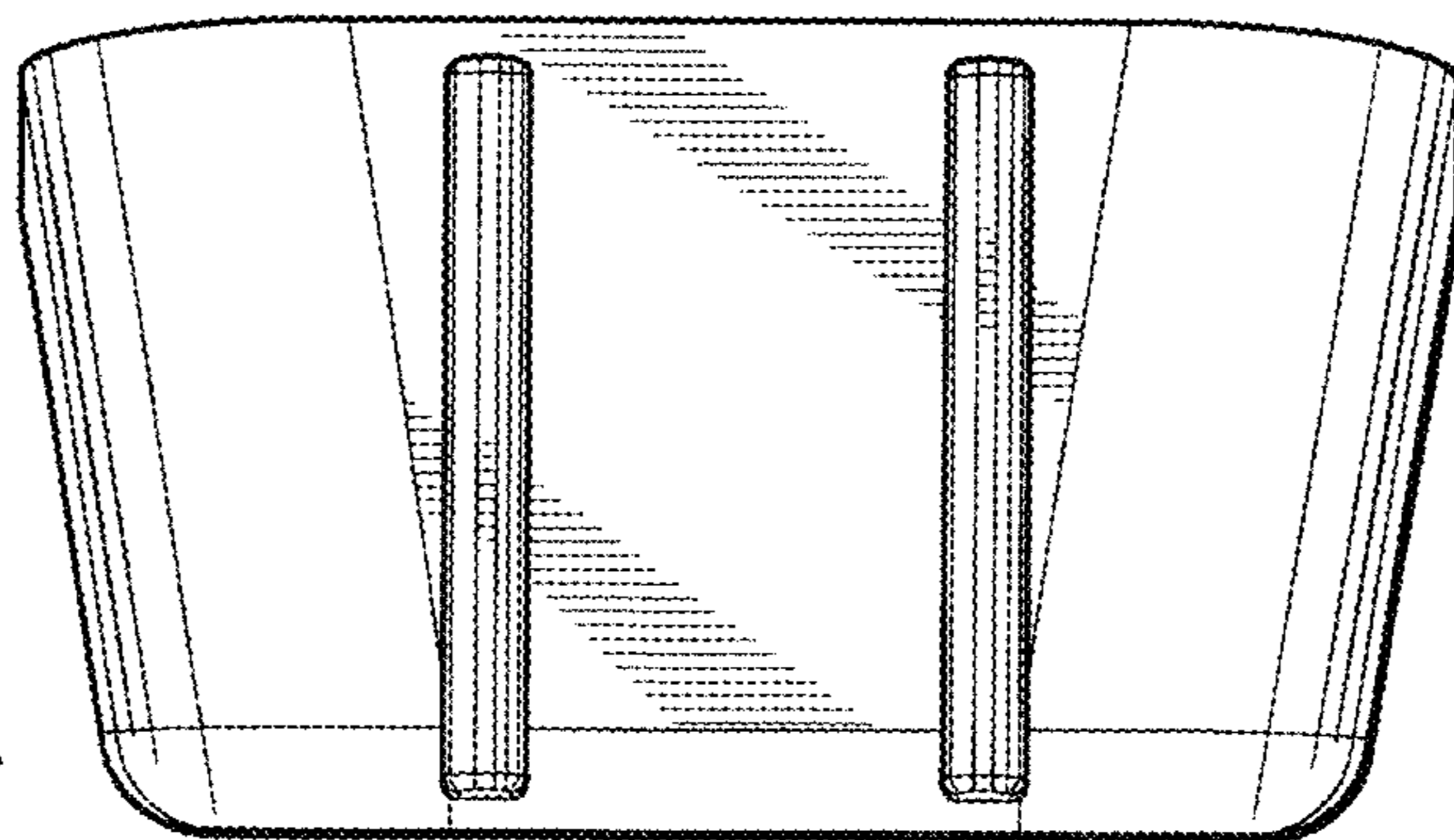


FIG. 7