



US00D796344S

(12) **United States Design Patent**  
**Paulick**

(10) **Patent No.:** **US D796,344 S**

(45) **Date of Patent:** **\*\* Sep. 5, 2017**

(54) **STACKABLE STORAGE UNIT OR BUILDING UNIT**

(71) Applicant: **John Paulick Design LLC**,  
Philadelphia, PA (US)

(72) Inventor: **John F. Paulick**, Philadelphia, PA (US)

(73) Assignee: **WINEHIVE, INC.**

(\*\*) Term: **15 Years**

(21) Appl. No.: **29/529,711**

(22) Filed: **Jun. 10, 2015**

(51) **LOC (10) Cl.** ..... **09-01**

(52) **U.S. Cl.**  
USPC ..... **D9/745; D25/115; D25/122; D6/672;**  
**D7/701**

(58) **Field of Classification Search**  
USPC ..... **D9/737, 739, 745, 751; D7/601, 602,**  
**D7/612-615, 701-703, 628, 707;**  
(Continued)

(56) **References Cited**

**U.S. PATENT DOCUMENTS**

D19,126 S \* 6/1889 Bell ..... D23/386  
3,081,023 A \* 3/1963 Taylor ..... A47G 29/1201  
211/10

(Continued)

**OTHER PUBLICATIONS**

Wine Hive 6-Bottle Rack, available Feb. 19, 2013, [online], [site visited Dec. 13, 2016]. Available from internet, <URL: <https://www.winehive.com/>>.\*

(Continued)

*Primary Examiner* — Cathron Brooks

*Assistant Examiner* — Teddy Falloway

(74) *Attorney, Agent, or Firm* — The Belles Group, P.C.

(57) **CLAIM**

I claim the ornamental design for a stackable storage unit or building unit, as shown and described.

**DESCRIPTION**

FIG. 1 is a top, front perspective view of a stackable storage unit or building unit in accordance with a first embodiment of the present invention;

FIG. 2 is a bottom, rear perspective view of the stackable storage unit or building unit of FIG. 1;

FIG. 3 is a front view of the stackable storage unit or building unit of FIG. 1, the rear view being identical thereto;

FIG. 4 is a right-side view of the stackable storage unit or building unit of FIG. 1, the left-side view being identical thereto;

FIG. 5 is a top view of the stackable storage unit or building unit of FIG. 1, the bottom view being identical thereto;

FIG. 6 is a top, front perspective view of a stackable storage unit or building unit in accordance with a second embodiment of the present invention;

FIG. 7 is a bottom, rear perspective view of the stackable storage unit or building unit of FIG. 6;

FIG. 8 is a front view of the stackable storage unit or building unit of FIG. 6, the rear view being identical thereto;

FIG. 9 is a right-side view of the stackable storage unit or building unit of FIG. 6, the left-side view being a mirror image thereof;

FIG. 10 is a top view of the stackable storage unit or building unit of FIG. 6, the bottom view being a mirror image thereof;

FIG. 11 is a top, front perspective view of a stackable storage unit or building unit in accordance with a third embodiment of the present invention;

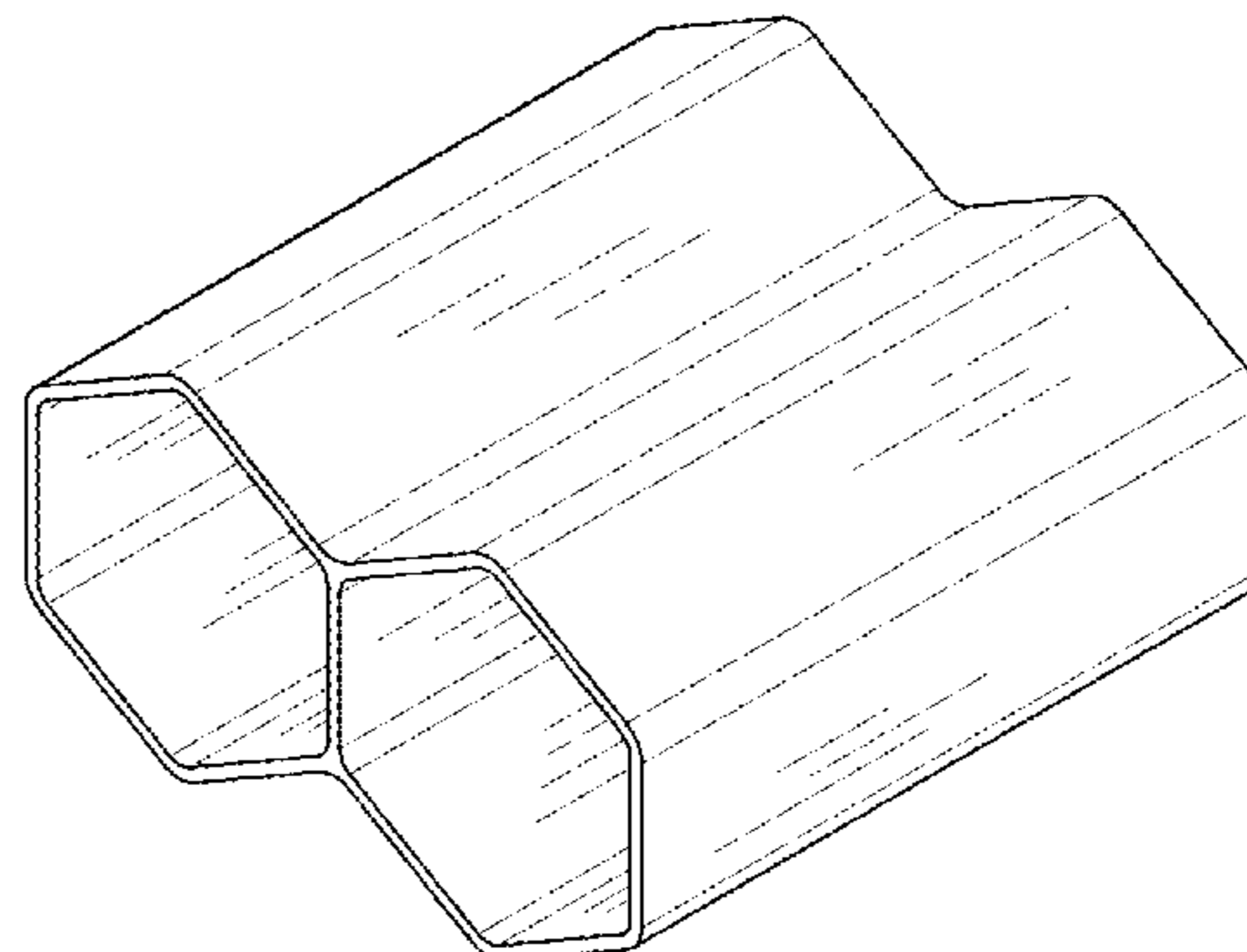
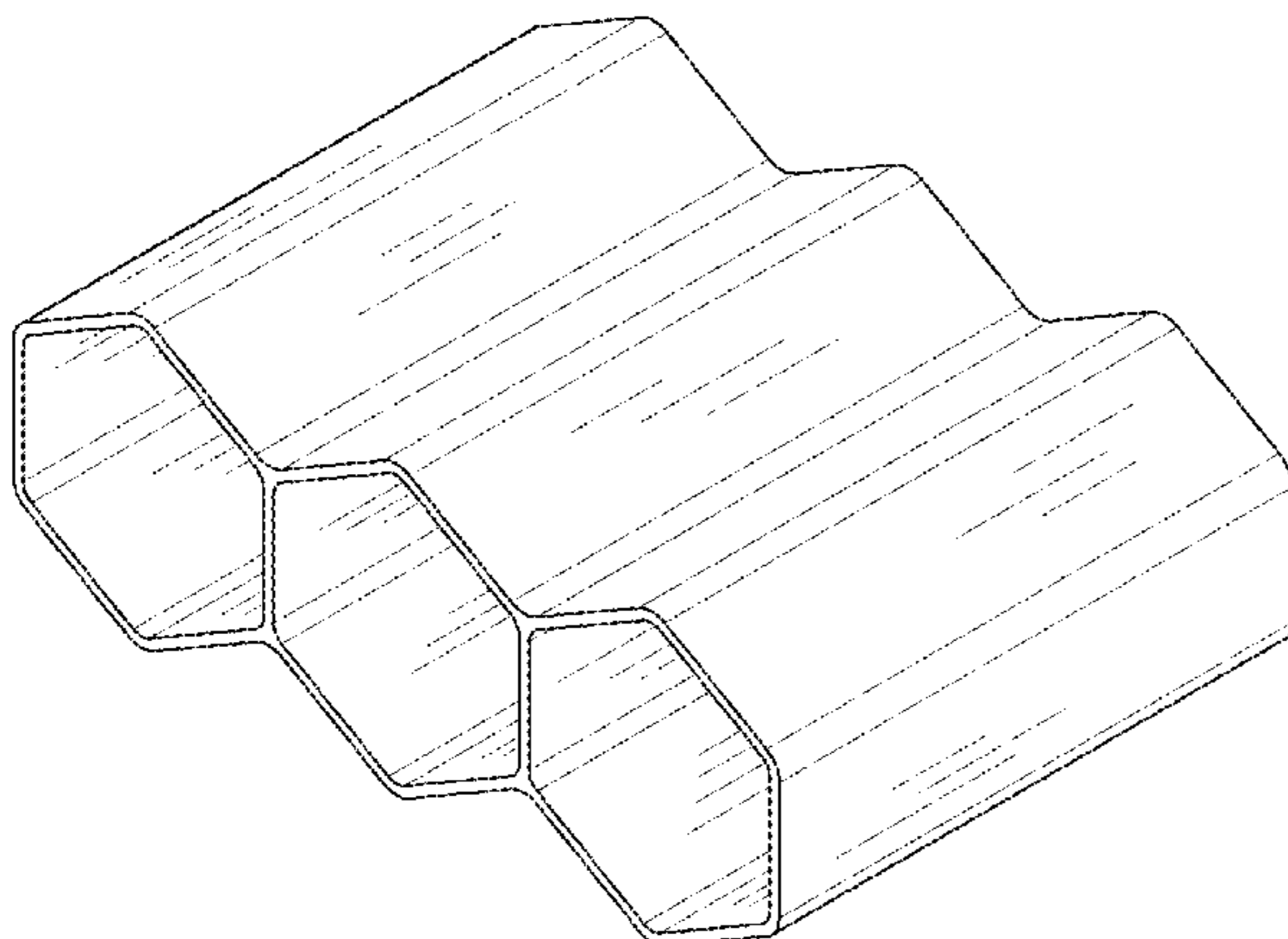
FIG. 12 is a bottom, rear perspective view of the stackable storage unit or building unit of FIG. 11;

FIG. 13 is a front view of the stackable storage unit or building unit of FIG. 11, the rear view being identical thereto;

FIG. 14 is a right-side view of the stackable storage unit or building unit of FIG. 11, the left-side view being identical thereto; and,

FIG. 15 is a top view of the stackable storage unit or building unit of FIG. 11, the bottom view being identical thereto.

(Continued)



The stackable storage unit or building unit is shown with a symbolic break in its length, represented by break lines. The appearance of any portion of the article between the break lines forms no part of the claimed design.

The unit may be used as a wine rack to store bottles or to store any other type of article including without limitation artifacts, clothing, jewelry, decorative elements, or the like. The unit may also be used as a building unit, such as a cement block or the like, to build a structure such as a wall, a partition, a building, or the like.

**1 Claim, 11 Drawing Sheets**

**(58) Field of Classification Search**

USPC ..... D6/553, 570, 466, 467, 468, 449, 455, D6/477, 478, 479, 574, 672; D25/119, D25/122, 113, 115; 211/74, 75, 87.01, 211/162, 13.1, 10, 12, 126.11, 126.12, 211/181.1, 90.03, 106, 54.1, 57.1, 59.1, 211/60.1; 248/311.2  
 CPC ..... A47B 73/00; A47B 73/002; A47B 73/006; A47B 87/02; A47B 47/00; A47B 87/0276; A47F 7/0028; A63F 2003/00785; Y10T 428/24149; Y10T 428/24157; Y10T 428/24165  
 See application file for complete search history.

**(56) References Cited**

**U.S. PATENT DOCUMENTS**

3,746,178 A \* 7/1973 Wagschal ..... A47B 73/006  
 211/194  
 3,877,170 A \* 4/1975 Bakker ..... A63H 33/088  
 446/124  
 D236,411 S \* 8/1975 Horney ..... D6/683  
 3,992,010 A \* 11/1976 Mattenson ..... A63F 3/00097  
 273/153 R  
 4,422,555 A \* 12/1983 Jacobs ..... A47B 73/006  
 211/189  
 4,660,727 A \* 4/1987 Levine ..... A47B 73/006  
 211/74  
 D289,587 S \* 5/1987 Levine ..... D6/682.2  
 4,969,568 A \* 11/1990 Yoshida ..... B43M 99/008  
 211/186  
 5,752,608 A \* 5/1998 Dingeldein ..... B65D 85/20  
 211/194  
 5,947,305 A \* 9/1999 Lin ..... A47B 73/006  
 211/74  
 D424,331 S \* 5/2000 Juang ..... D6/659  
 6,209,735 B1 \* 4/2001 Gladstone ..... A47F 5/10  
 211/194  
 D488,964 S \* 4/2004 Dagan ..... D7/701  
 7,131,544 B1 \* 11/2006 Cunningham ..... A47B 73/006  
 206/139  
 D569,655 S \* 5/2008 Williams ..... D6/682.2  
 D577,269 S \* 9/2008 Ropek ..... D7/703  
 D588,880 S \* 3/2009 Chou ..... D7/701  
 7,604,133 B2 \* 10/2009 Tsai ..... A47B 73/006  
 211/189  
 D642,648 S \* 8/2011 Oliver ..... D22/108  
 8,248,792 B2 \* 8/2012 Wei ..... H05K 7/1497  
 181/264  
 D672,587 S \* 12/2012 Puksta ..... D6/705

8,567,785 B1 \* 10/2013 Cheng ..... A63F 3/00574  
 273/275  
 D697,380 S \* 1/2014 Lesbirel ..... D7/707  
 9,016,485 B1 \* 4/2015 Liu ..... A47B 47/0075  
 211/183  
 9,038,834 B2 \* 5/2015 Liu ..... A47B 47/0066  
 211/186  
 D731,866 S \* 6/2015 Paulick ..... D7/702  
 9,320,355 B2 \* 4/2016 Lee ..... A47B 73/006  
 9,427,675 B2 \* 8/2016 Yang ..... A63H 33/04  
 2008/0210688 A1 \* 9/2008 Halahmi ..... E02D 17/20  
 220/62.11  
 2008/0223799 A1 \* 9/2008 Tsai ..... A47B 73/006  
 211/18  
 2010/0275738 A1 \* 11/2010 Taylor, Jr. .... B25B 13/06  
 81/121.1  
 2013/0008864 A1 \* 1/2013 Davis ..... A47B 73/006  
 211/74  
 2015/0037533 A1 \* 2/2015 Kendrick ..... B32B 3/12  
 428/118  
 2015/0076091 A1 \* 3/2015 Lee ..... A47B 73/006  
 211/85.4  
 2015/0174881 A1 \* 6/2015 Stoll ..... B29D 99/0089  
 428/116  
 2016/0309891 A1 \* 10/2016 van Leeuwen ..... A47B 73/006

**OTHER PUBLICATIONS**

Wine Storage That Gives Us a Buzz, available Aug. 1, 2012, [online], [site visited Dec. 13, 2016]. Available from internet, <URL: [https://www.tastingtable.com/entry\\_detail/good\\_taste/9702](https://www.tastingtable.com/entry_detail/good_taste/9702).\*

Wine Rack Honeycomb, available Sep. 18, 2015, [online], [site visited Dec. 13, 2016]. Available from internet, <URL: <http://www.save-on-crafts.com/wine-rack-honeycomb-gold.html>.\*

Better than the Cellar, available Jul. 10, 2013, [online], [site visited Dec. 13, 2016]. Available from internet, <URL: <http://www.brit.co/diy-wine-racks/>.\*

Contemporary Furniture Pack (via Facepunch), available Jan. 10, 2012, [online], [site visited Dec. 13, 2016]. Available from internet, <URL: <https://facepunch.com/showthread.php?t=1154409>.\*

Internet search for Gustavo Olivieri wine rack, available Dec. 9, 2014, [online], [site visited Dec. 13, 2016]. Available from internet, <URL: <https://www.onekingslane.com/p/925984-vintage-honeycomb-wine-rack>.\*

Best Wine Racks, available Oct. 18, 2012, [online], [site visited Dec. 13, 2016]. Available from internet, <URL: <http://www.loveinspirecreate.com/2012/10/top-10-best-wine-racks.html>.\*

Honeycomb Wine Rack, available Sep. 24, 2012, [online], [site visited Dec. 13, 2016]. Available from internet, <URL: <https://www.behance.net/gallery/5261777/-HONEYCOMB-WineRack>.\*

Hexagon Pencil Holder, available Feb. 5, 2015, [online], [site visited Dec. 13, 2016]. Available from internet, <URL: <http://www.pulpfunction.ca/product/hexagon-pencil-holder-parisian-patisserie/>.\*

Wood Honeycomb Shelves, available Apr. 2, 2014, [online], [site visited Dec. 13, 2016]. Available from internet, <URL: <http://www.jennaburger.com/2014/04/diy-wood-honeycomb-shelves/>.\*

Hexagon Modular Honeycomb-Shaped Furniture System, available May 11, 2016, [online], [site visited Dec. 13, 2016]. Available from internet, <URL: <http://vurni.com/hexagon-modular-furniture-system/>.\*

Furniture for a Hive, available Apr. 8, 2013, [online], [site visited Dec. 13, 2016]. Available from internet, <URL: <http://architecturebymax.blogspot.com/2013/04/furniture-for-hive.html>.\*

\* cited by examiner

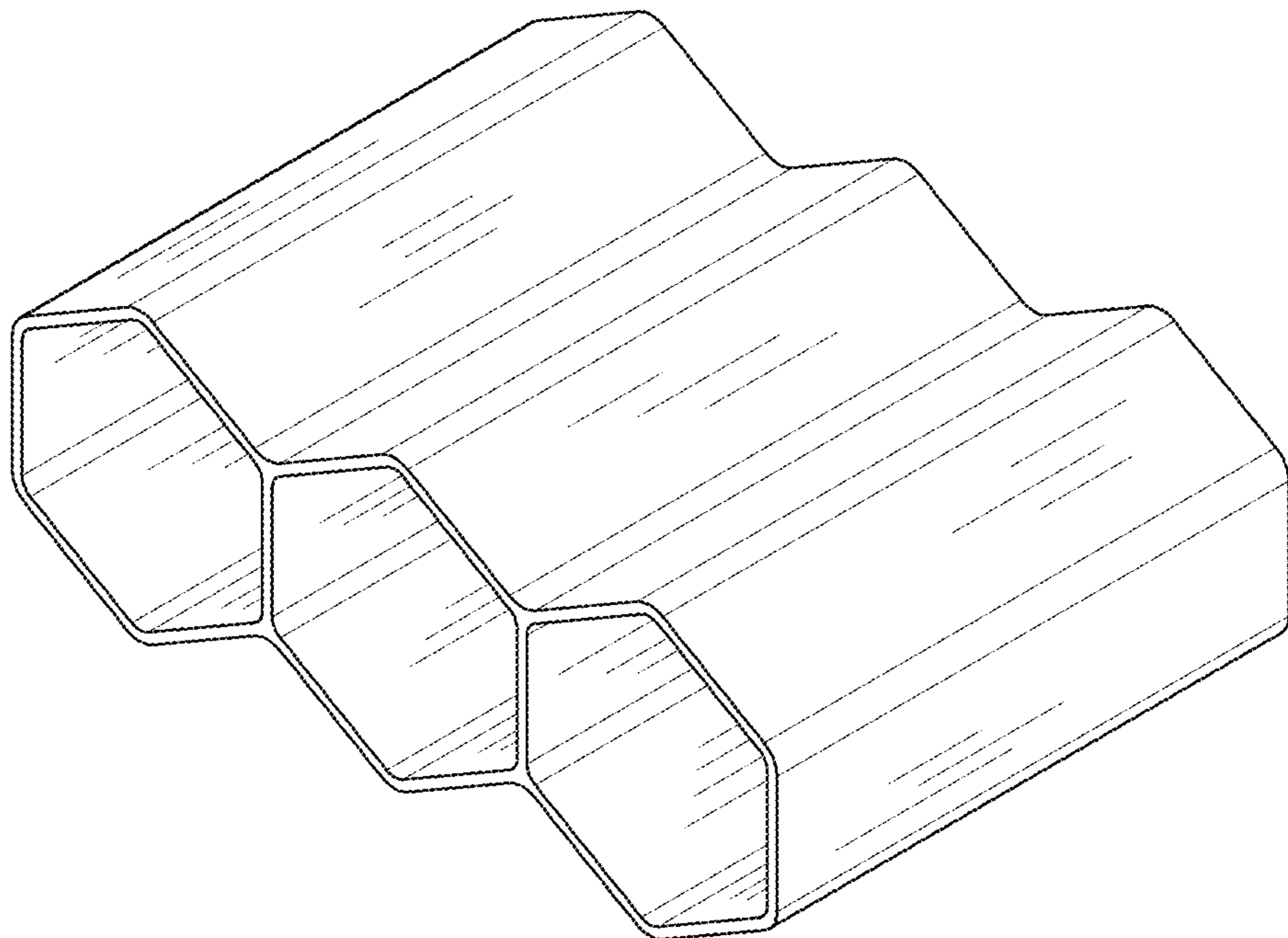


FIG. 1

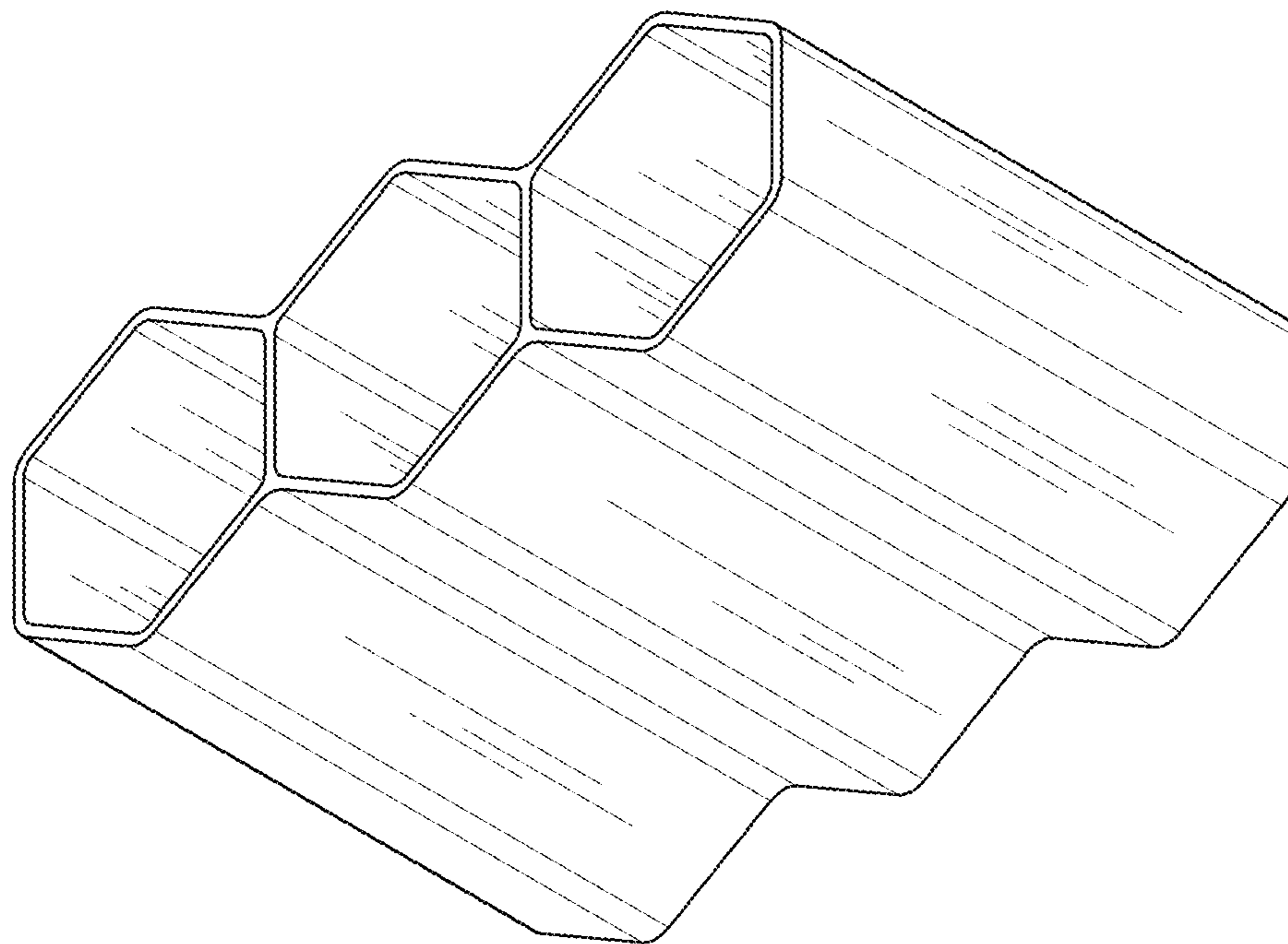


FIG. 2

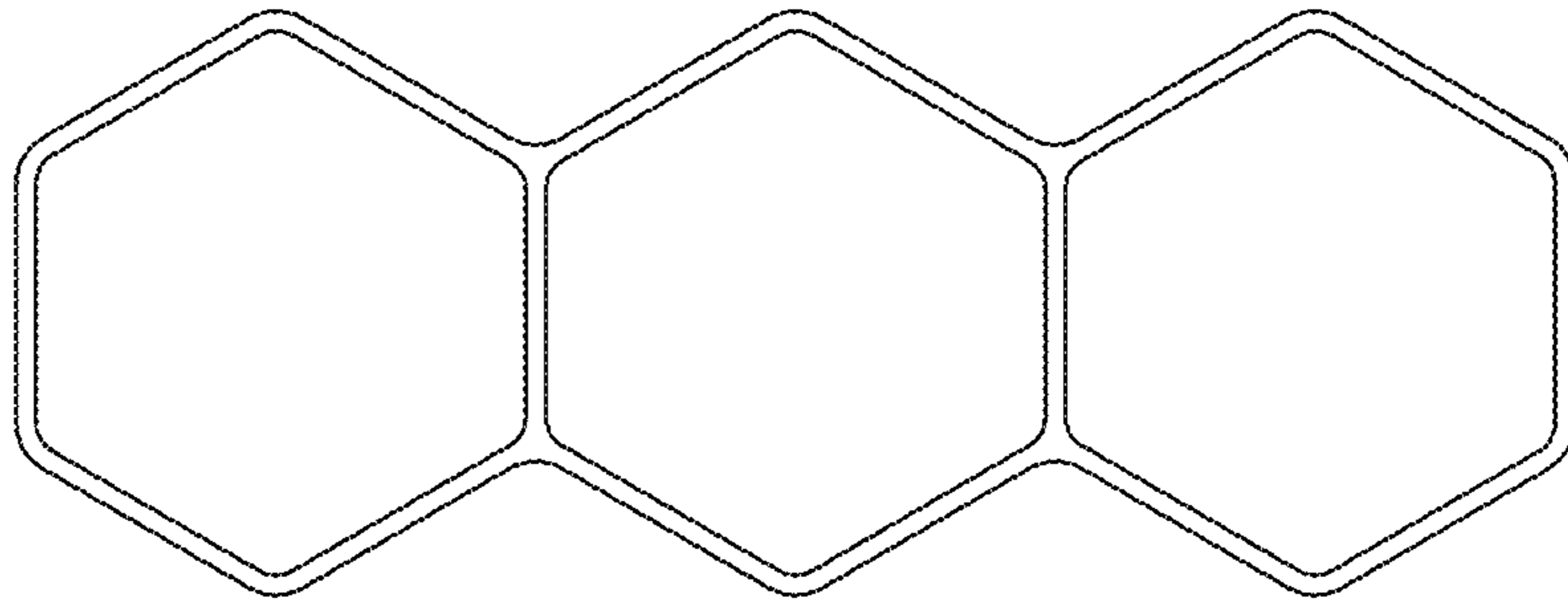


FIG. 3

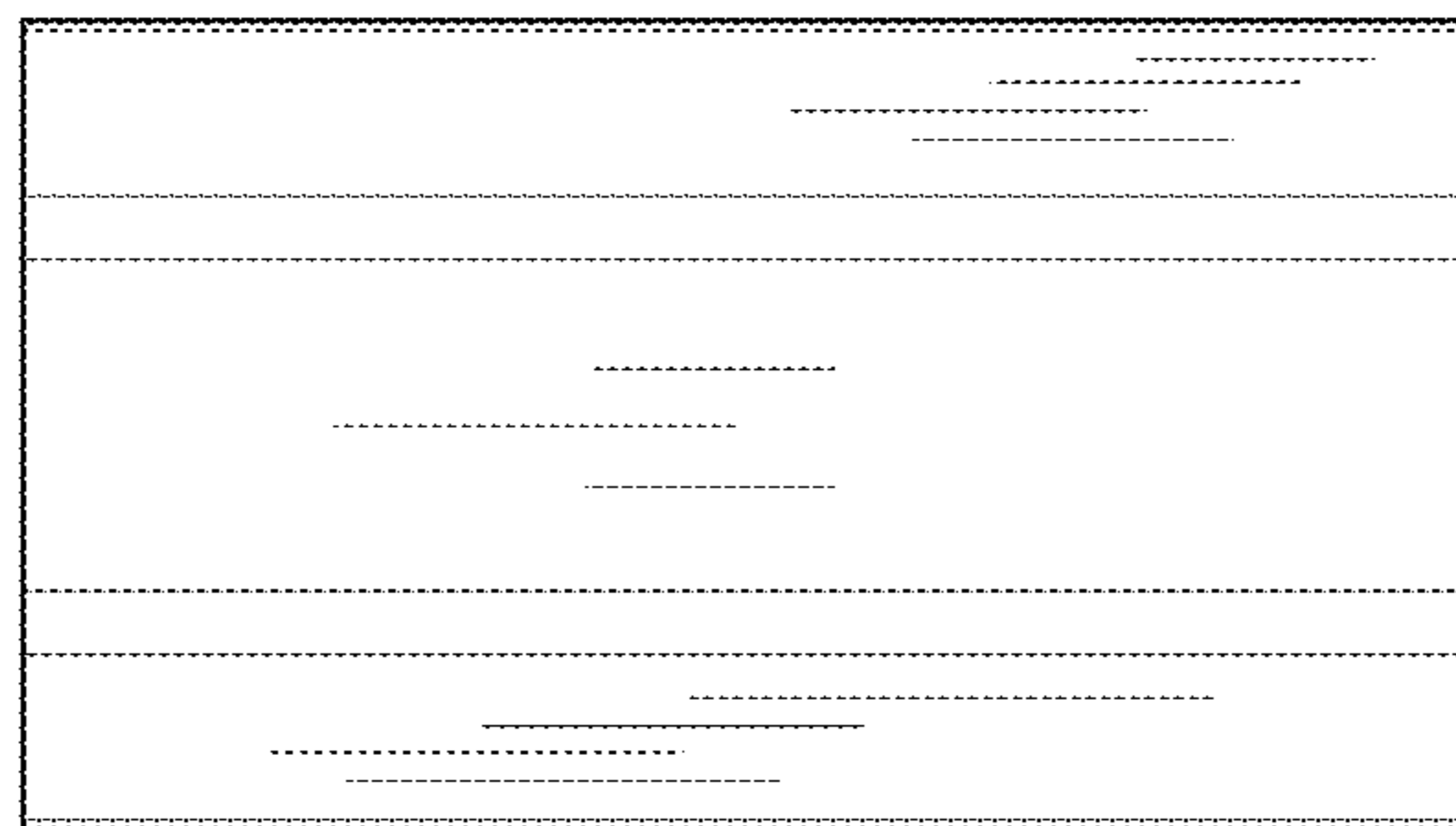


FIG. 4

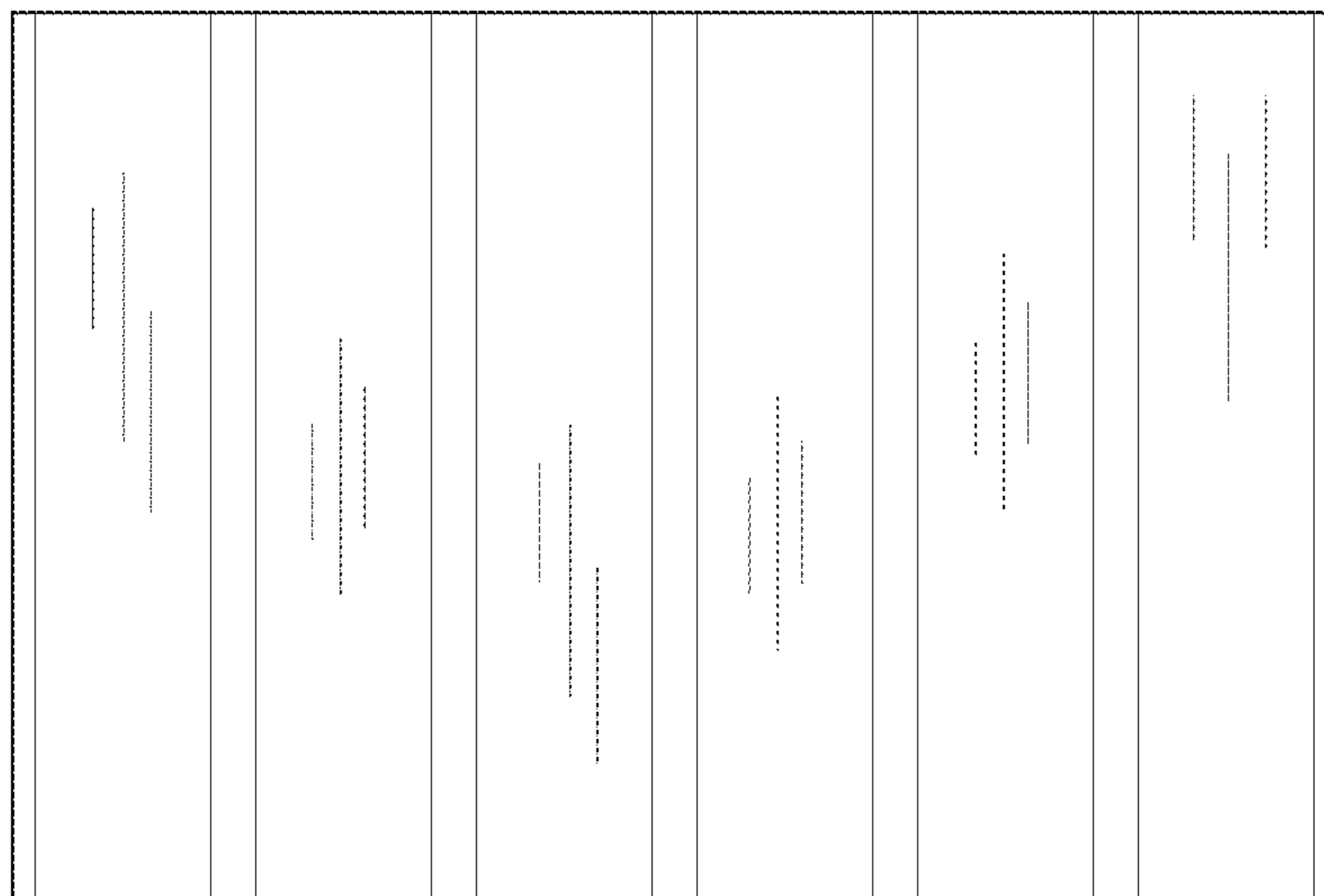


FIG. 5

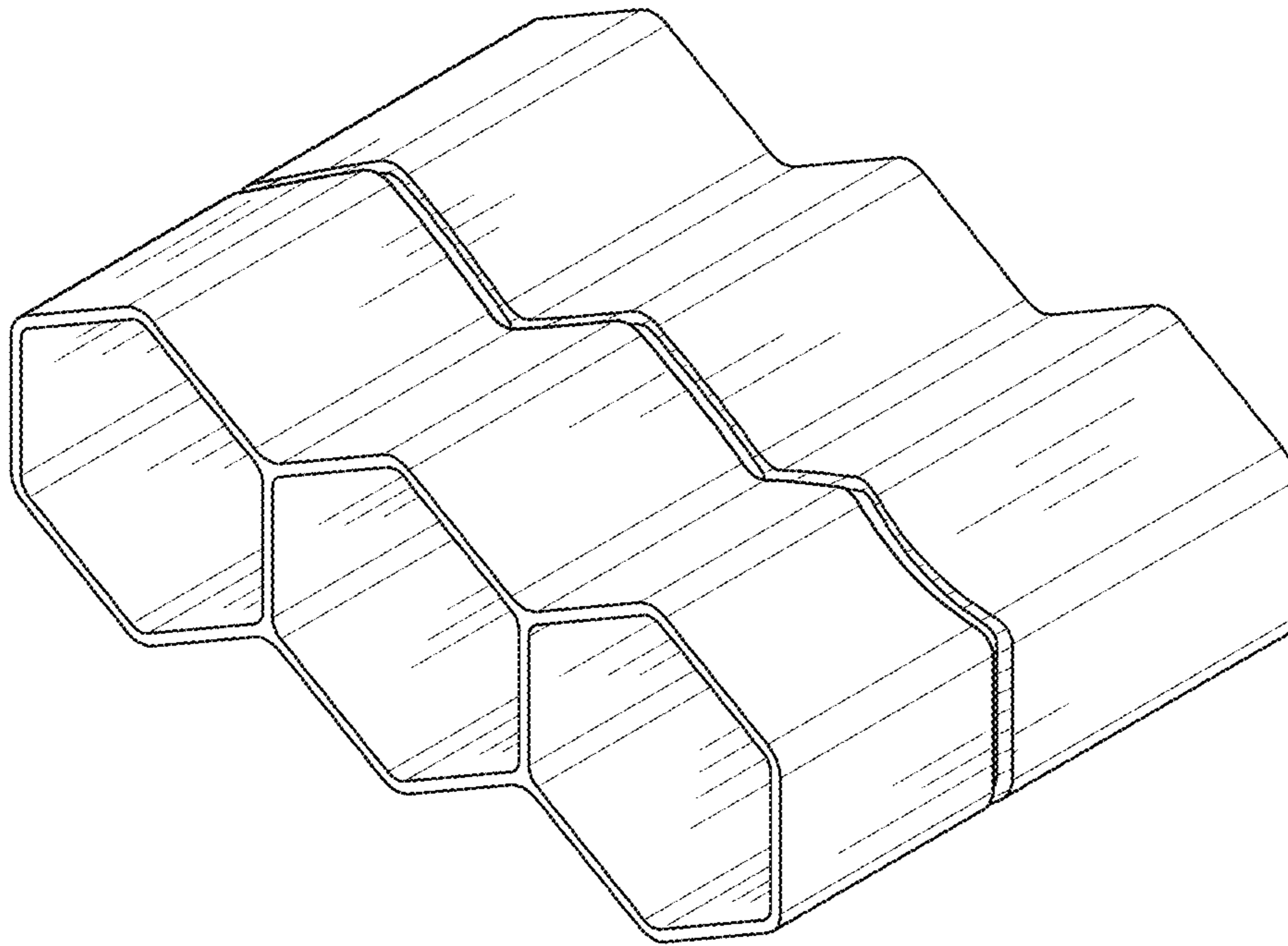


FIG. 6

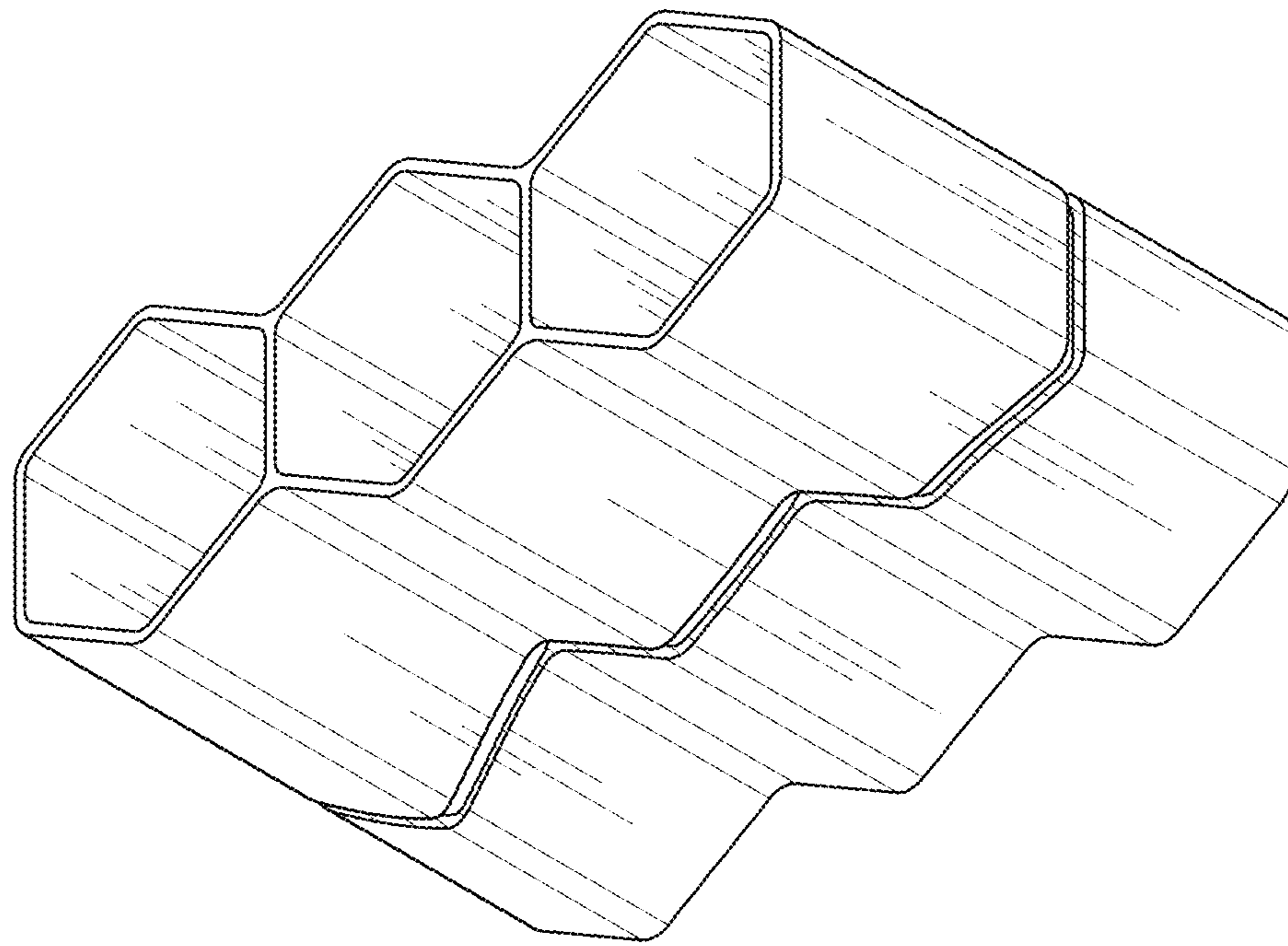


FIG. 7



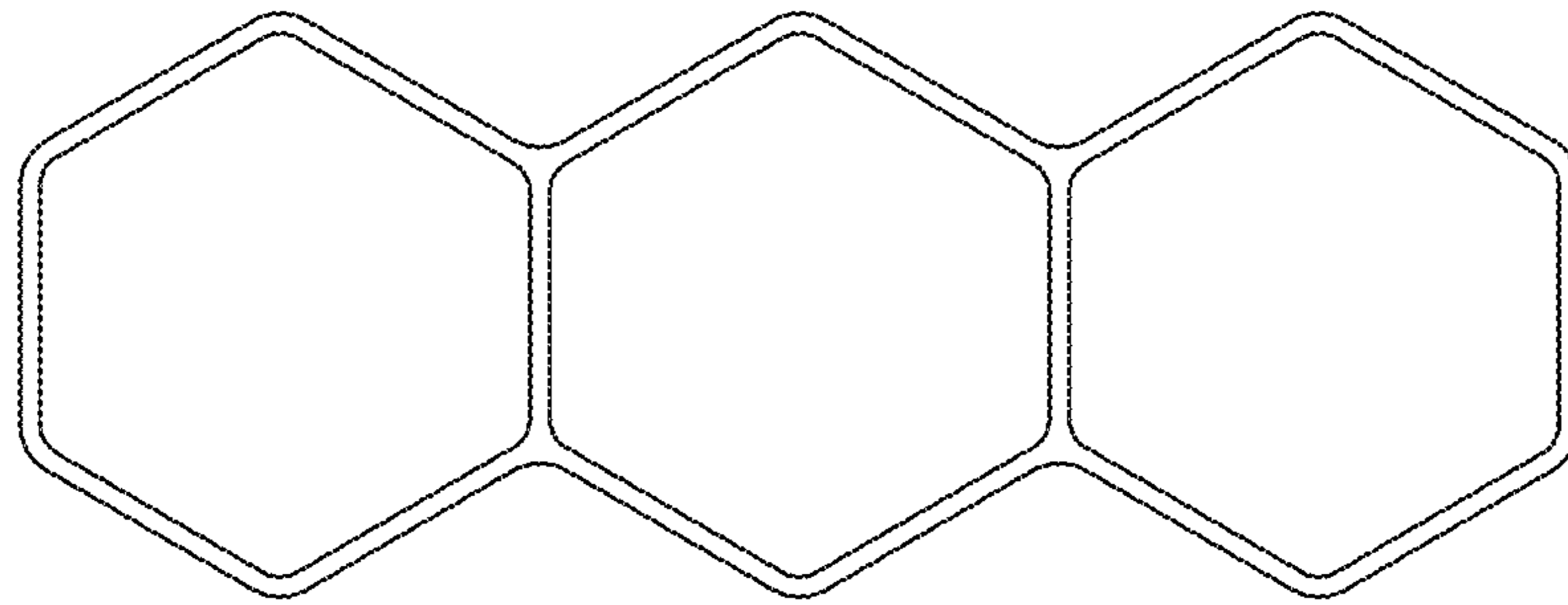


FIG. 8

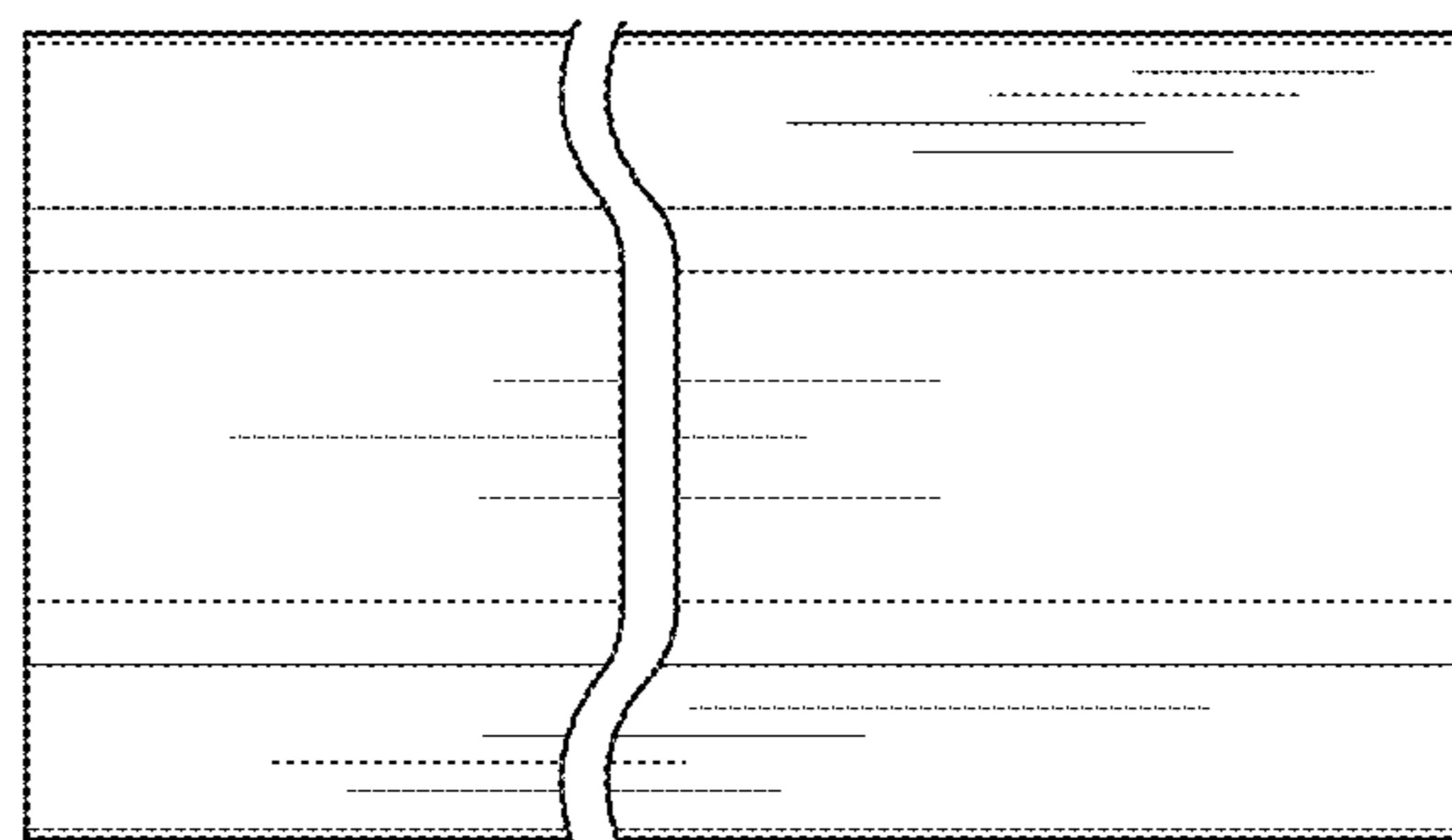


FIG. 9

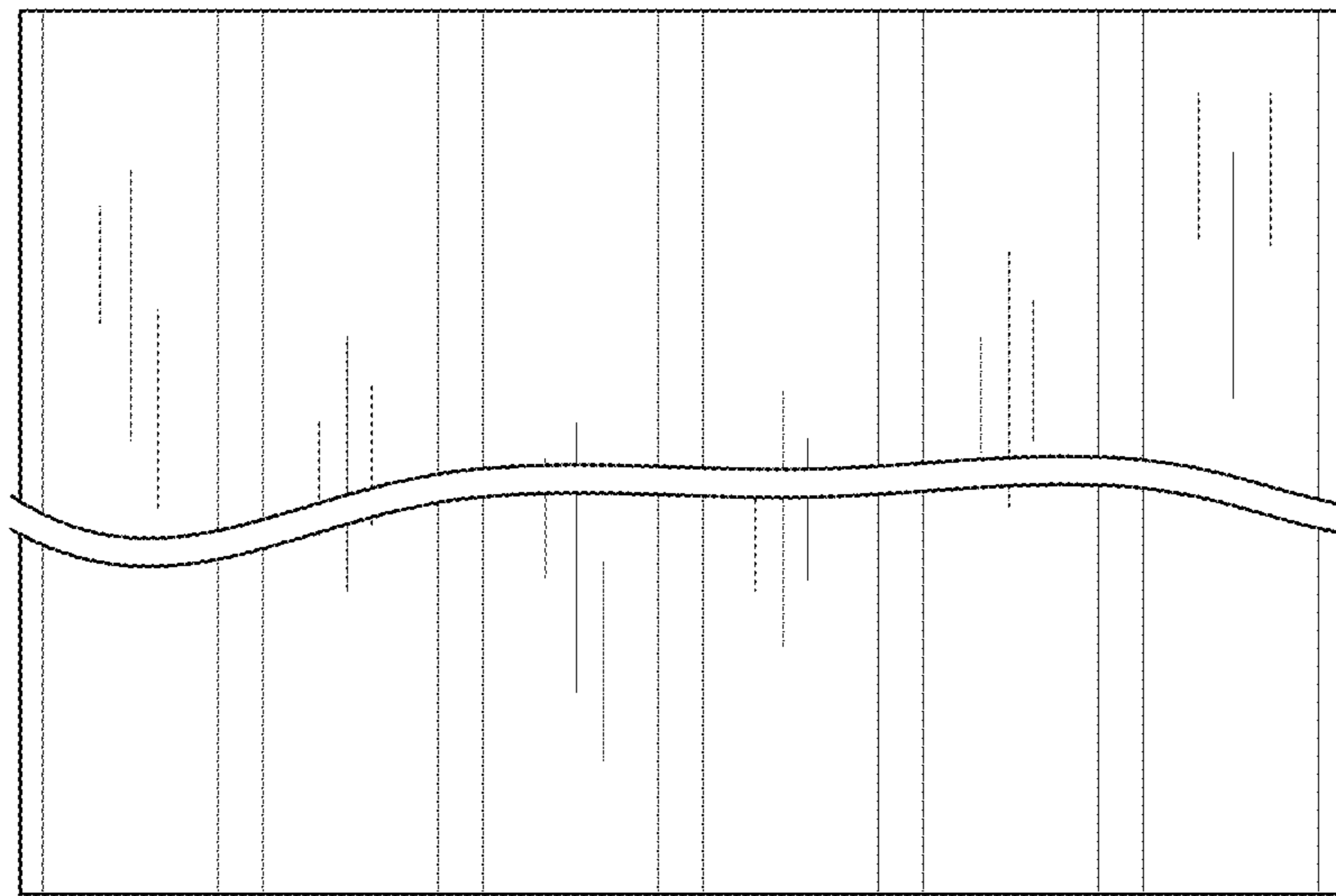


FIG. 10

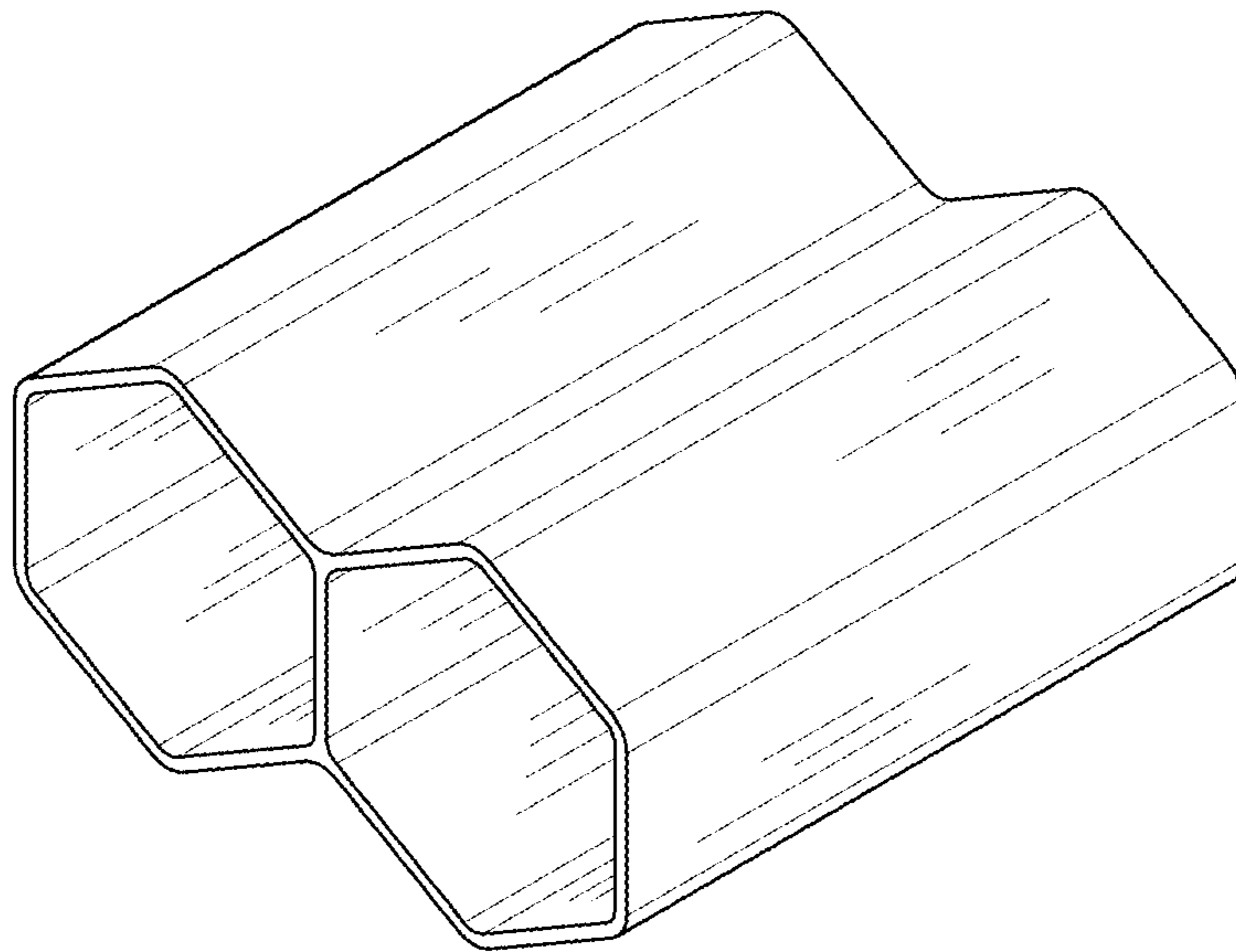


FIG. 11

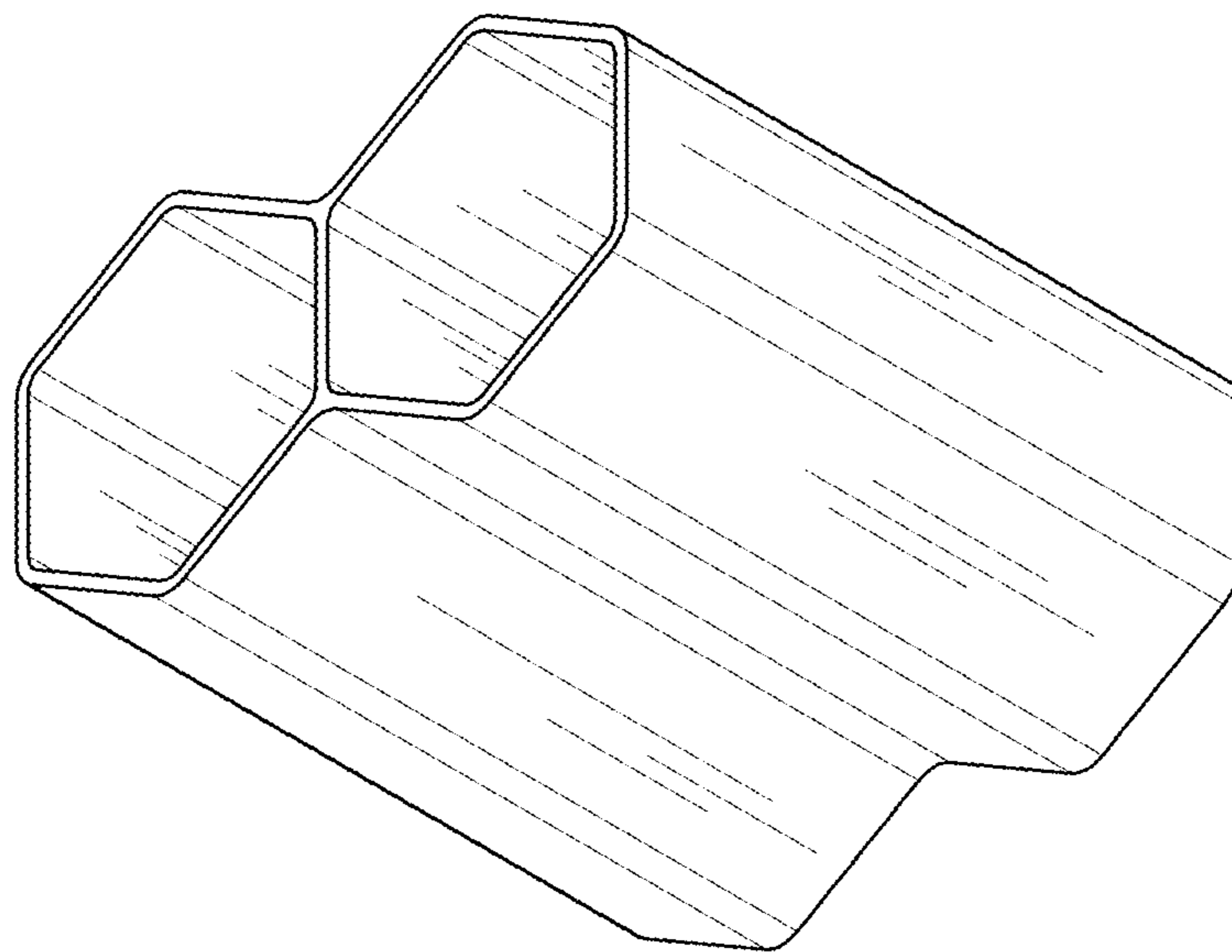


FIG. 12

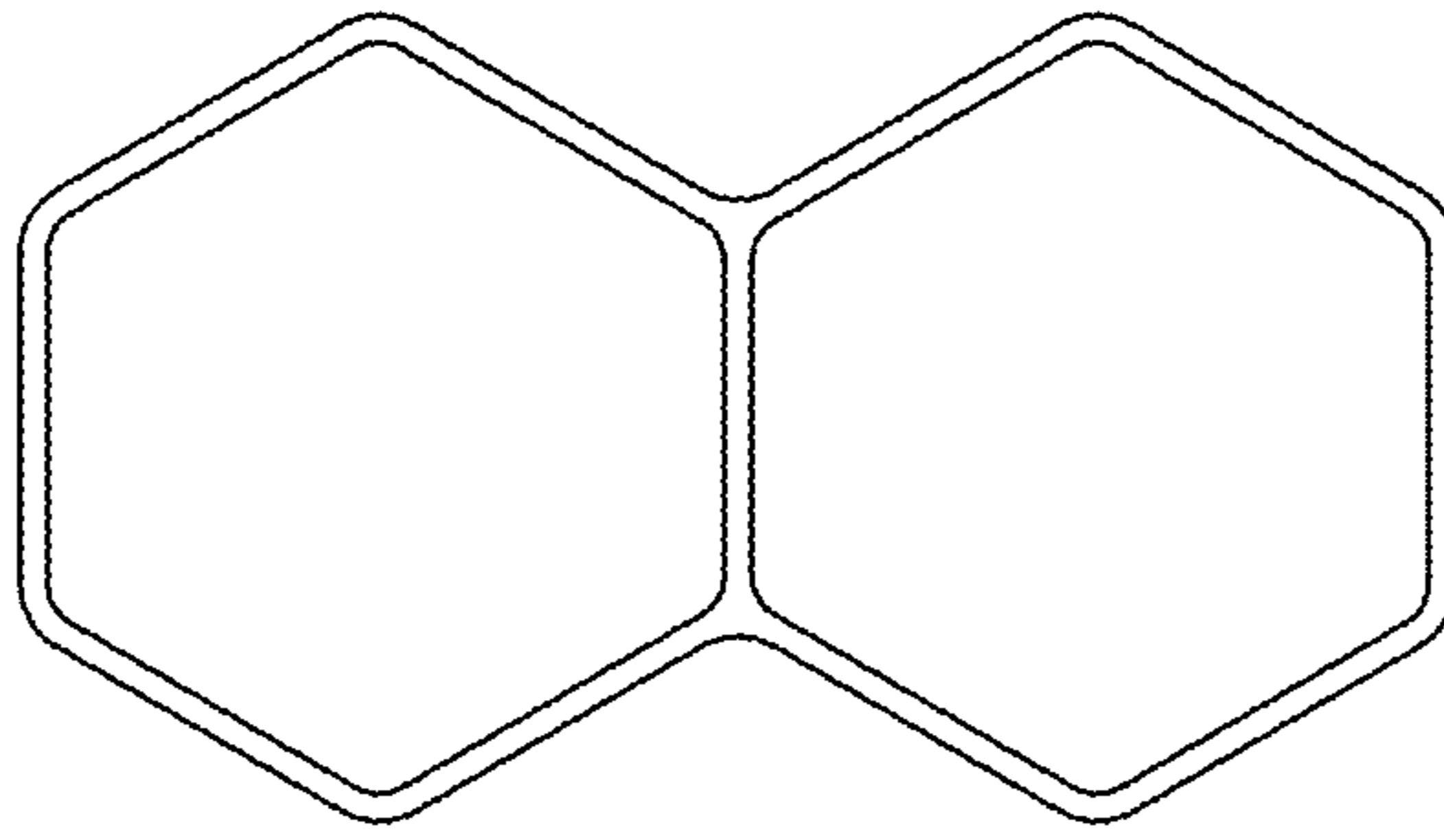


FIG. 13

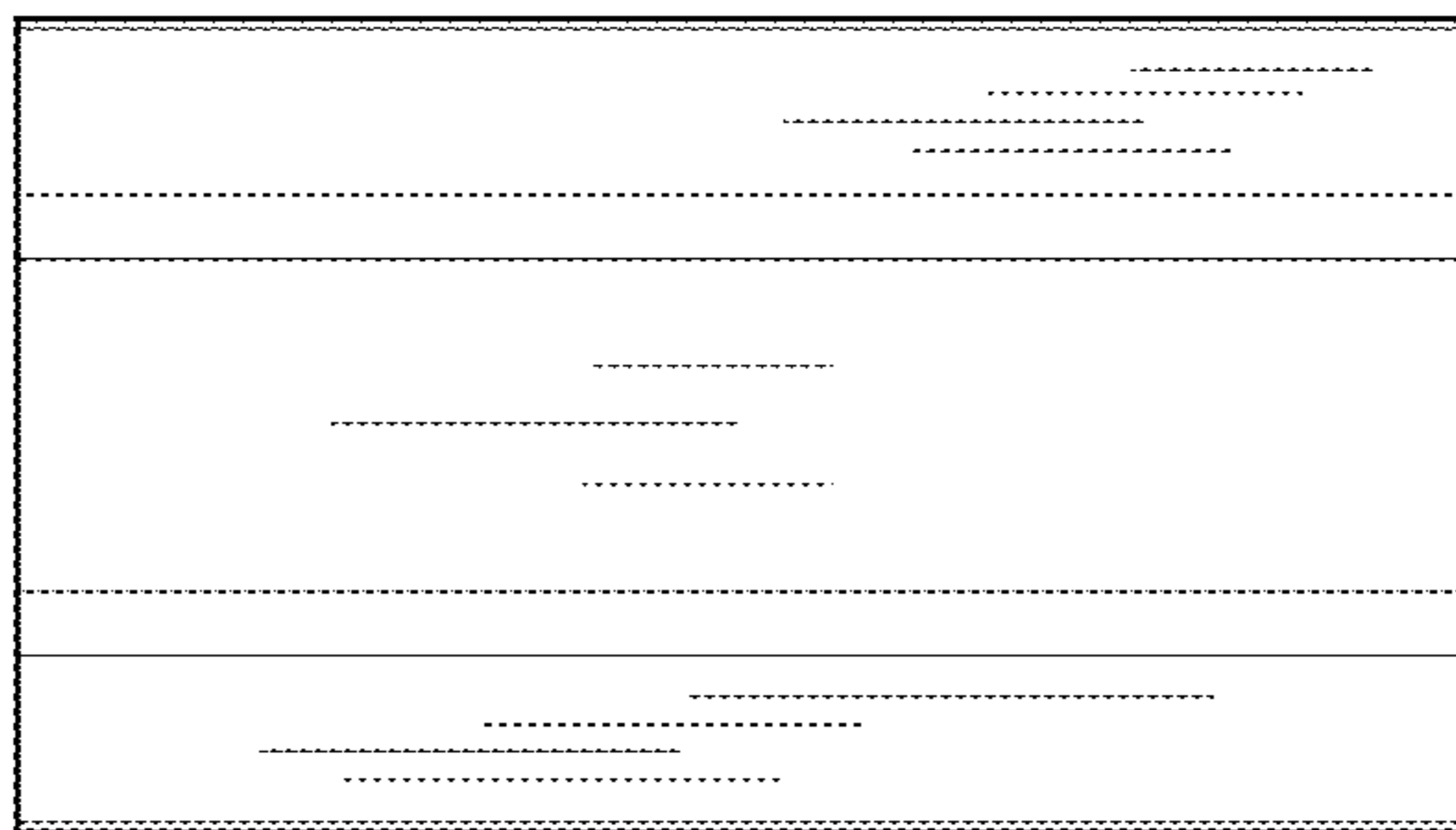


FIG. 14

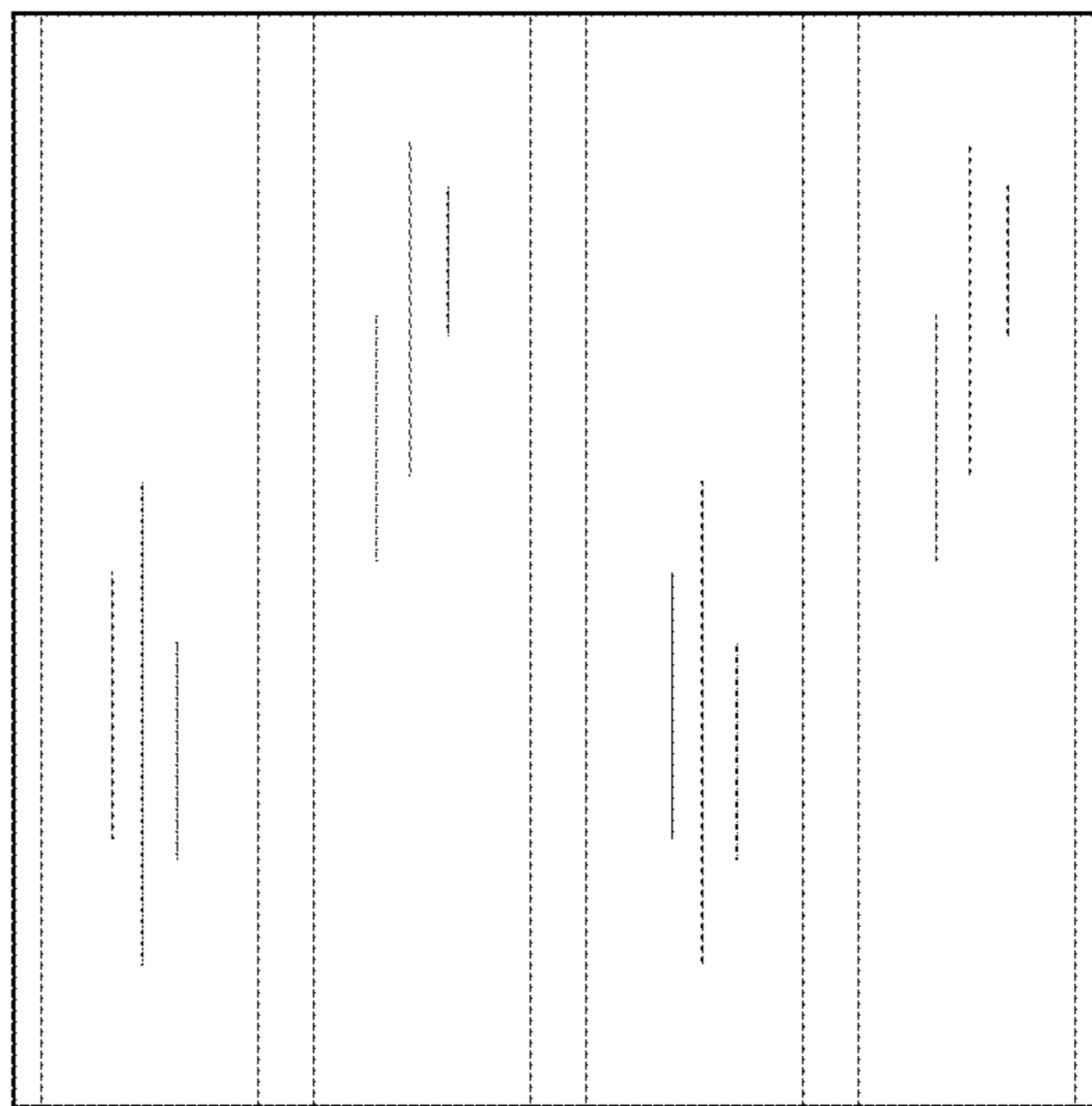


FIG. 15