

US00D796343S

(12) **United States Design Patent** (10) **Patent No.:** **US D796,343 S**
Murray (45) **Date of Patent:** **** Sep. 5, 2017**

- (54) **FLEXIBLE POUCH**
- (71) Applicant: **Pouch Pac Innovations, LLC**,
Sarasota, FL (US)
- (72) Inventor: **R. Charles Murray**, Sarasota, FL (US)
- (73) Assignee: **Pouch Pac Innovations, LLC**,
Sarasota, FL (US)
- (**) Term: **15 Years**
- (21) Appl. No.: **29/567,460**
- (22) Filed: **Jun. 9, 2016**
- (51) **LOC (10) Cl.** **09-05**
- (52) **U.S. Cl.**
USPC **D9/707**
- (58) **Field of Classification Search**
USPC D9/702-714, 499, 434-435, 443, 415;
D24/118, 121; 426/106; 383/61.1, 42,
383/119, 108, 103, 106, 120, 127;
222/92, 107, 215; 220/666; 211/85.15;
206/406, 811, 484, 260; 428/35.2;
D3/203.1, 203.2, 303
CPC B65D 33/24; B65D 33/00; B65D 31/00;
B65D 31/10; B65D 31/16; B65D 1/32;
B65D 1/00; B65D 1/02; B65D 1/09;
B65D 1/10
See application file for complete search history.

- D580,782 S 11/2008 Murray
- D580,783 S 11/2008 Murray
- D584,168 S 1/2009 Murray
- D588,932 S 3/2009 Murray
- D600,568 S 9/2009 Murray
- D610,469 S 2/2010 Murray
- 7,661,560 B2 2/2010 Murray
- 7,673,438 B2 3/2010 Murray
- 7,722,254 B2 5/2010 Murray
- D624,433 S 9/2010 Murray
- 8,083,102 B2 12/2011 Murray
- 8,228,197 B2 7/2012 Murray
- D676,335 S * 2/2013 Murray D9/707
- D676,336 S 2/2013 Murray
- D677,581 S 3/2013 Murray
- D677,582 S 3/2013 Murray
- D682,117 S 5/2013 Murray
- D686,088 S 7/2013 Murray

(Continued)

Primary Examiner — Abraham Bahta
(74) *Attorney, Agent, or Firm* — Dinsmore & Shohl LLP

(57) **CLAIM**

The ornamental design for a flexible pouch, as shown and described.

DESCRIPTION

FIG. 1 is a perspective view of the front of a flexible pouch; FIG. 2 is a plan front view of the flexible pouch of FIG. 1; FIG. 3 is a plan back view of the flexible pouch of FIG. 1; FIG. 4 is an elevational view of the top of the flexible pouch of FIG. 1; FIG. 5 is an elevational view of the bottom of the flexible pouch of FIG. 1; and, FIG. 6 is an elevational view of the side of the flexible pouch FIG. 1.

It should be appreciated that the broken lines are merely illustrative of the environment of the design, and not part of the claimed design.

1 Claim, 3 Drawing Sheets

- (56) **References Cited**
U.S. PATENT DOCUMENTS
D455,645 S * 4/2002 Bell D9/697
D463,738 S * 10/2002 Jones D9/710
7,175,581 B2 2/2007 Murray
7,313,899 B2 1/2008 Murray
D571,672 S 6/2008 Murray
D573,037 S 7/2008 Murray



(56)

References Cited

U.S. PATENT DOCUMENTS

D686,089 S	7/2013	Murray	9,296,521 B2	3/2016	Murray
D689,776 S	9/2013	Murray	9,302,820 B2	4/2016	Murray
D691,898 S *	10/2013	Johnson, Jr.	9,415,559 B2	8/2016	Murray
8,573,445 B2	11/2013	Murray	D781,718 S *	3/2017	Loyd D9/707
8,613,548 B2	12/2013	Murray	2003/0049354 A1	3/2003	Murray
D700,066 S *	2/2014	Berman D9/707	2006/0196784 A1	9/2006	Murray
D700,067 S	2/2014	Murray	2008/0226200 A1	9/2008	Murray
D703,549 S	4/2014	Murray	2008/0247682 A1	10/2008	Murray
D703,550 S	4/2014	Murray	2009/0120931 A1	5/2009	Murray
D707,499 S	6/2014	Murray	2011/0108572 A1	5/2011	Murray
8,745,836 B2	6/2014	Murray	2012/0008884 A1	1/2012	Murray
D709,383 S	7/2014	Murray	2012/0106878 A1	5/2012	Murray
D709,773 S	7/2014	Murray	2013/0195382 A1	8/2013	Murray
D721,594 S	1/2015	Murray	2014/0174035 A1	6/2014	Murray
D721,595 S *	1/2015	Kilber D9/710	2014/0246455 A1	9/2014	Murray
8,960,438 B2	2/2015	Murray	2015/0030264 A1	1/2015	Murray
D727,748 S	4/2015	Murray	2015/0108015 A1	4/2015	Murray
9,051,105 B2	6/2015	Murray	2015/0210436 A1	7/2015	Murray
D740,133 S	10/2015	Murray	2015/0307233 A1	10/2015	Murray
D744,853 S	12/2015	Murray	2015/0360839 A1	12/2015	Murray
D744,854 S	12/2015	Murray	2016/0039575 A1	2/2016	Murray
D745,414 S	12/2015	Murray	2016/0052705 A1	2/2016	Murray
9,221,592 B2	12/2015	Murray	2016/0083145 A1	3/2016	Murray
			2016/0090213 A1	3/2016	Murray
			2016/0096666 A1	4/2016	Murray
			2016/0280439 A1	9/2016	Murray

* cited by examiner



FIG. 1

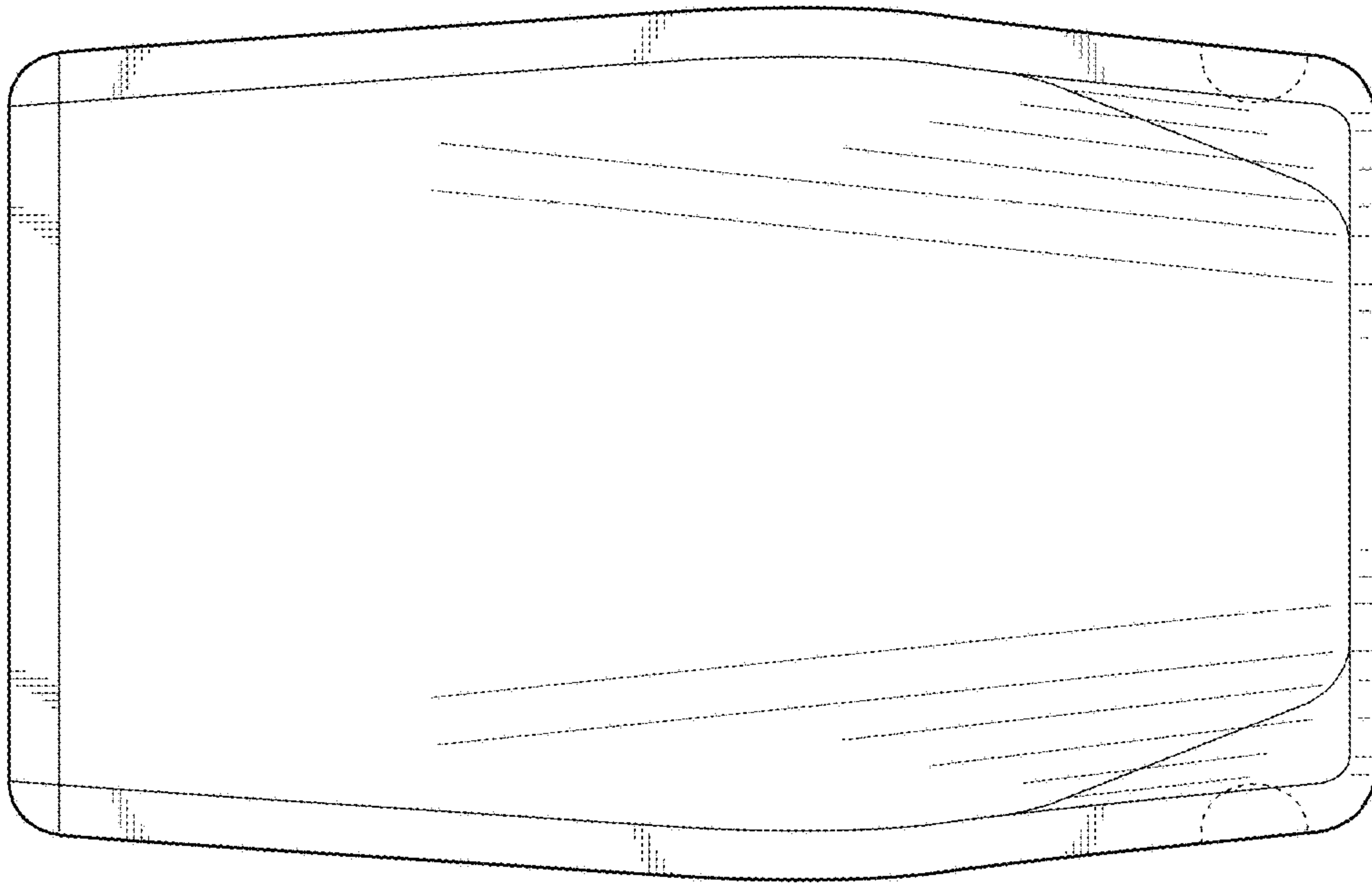


FIG. 3

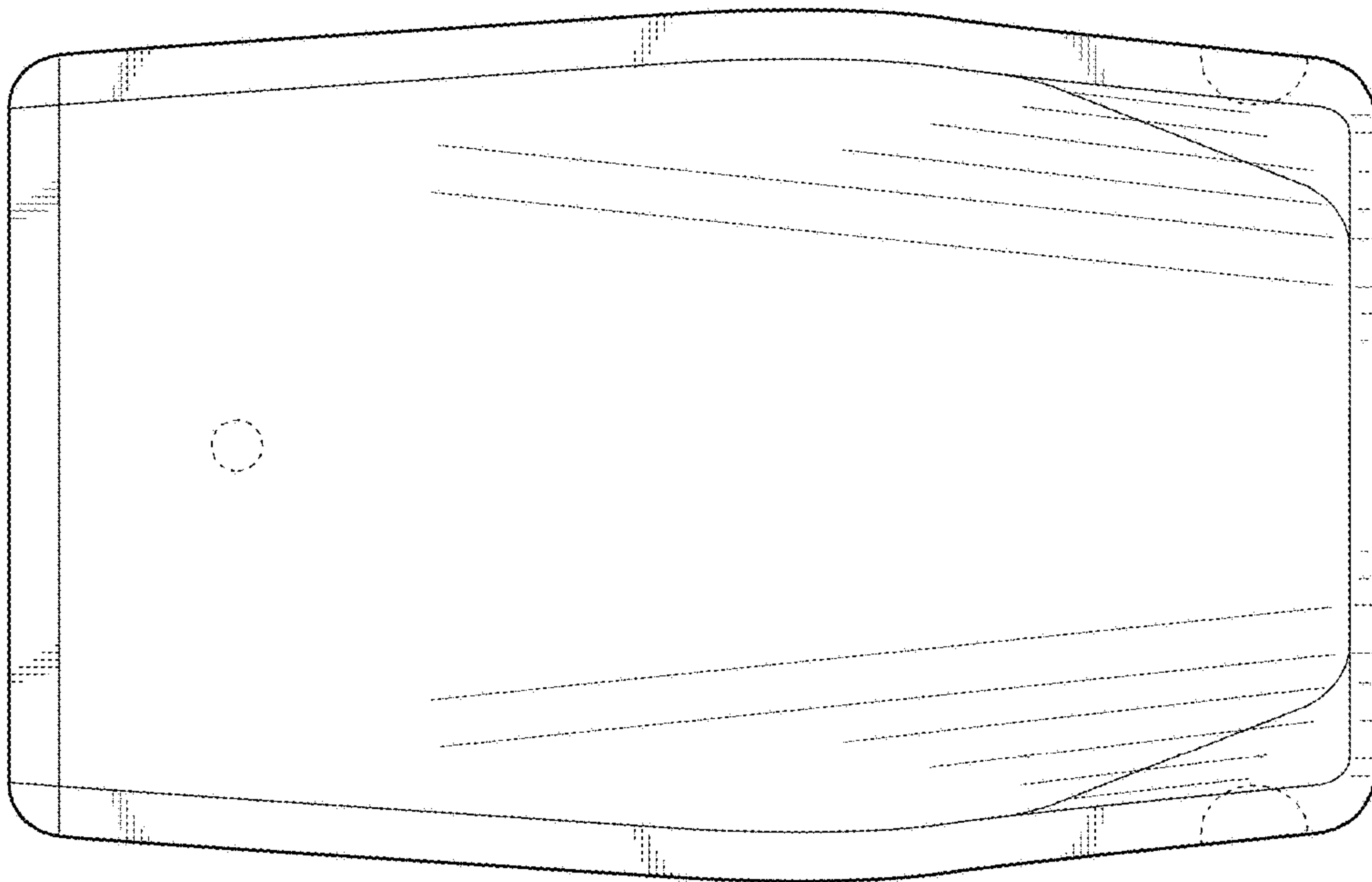


FIG. 2

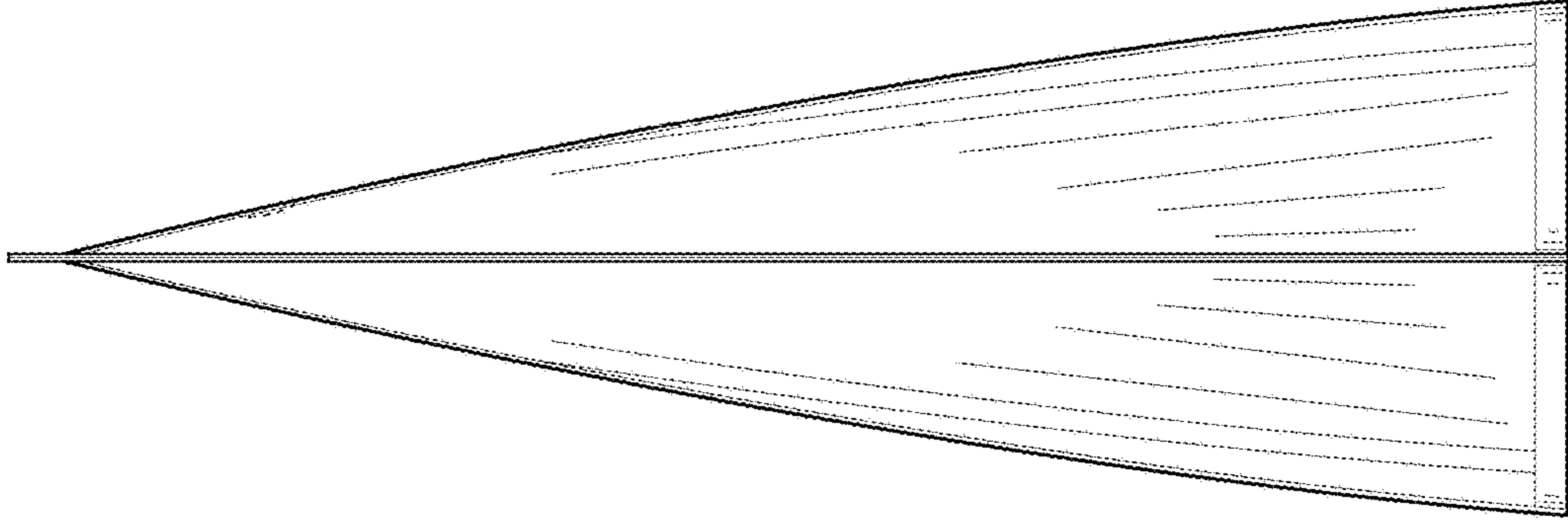


FIG. 6

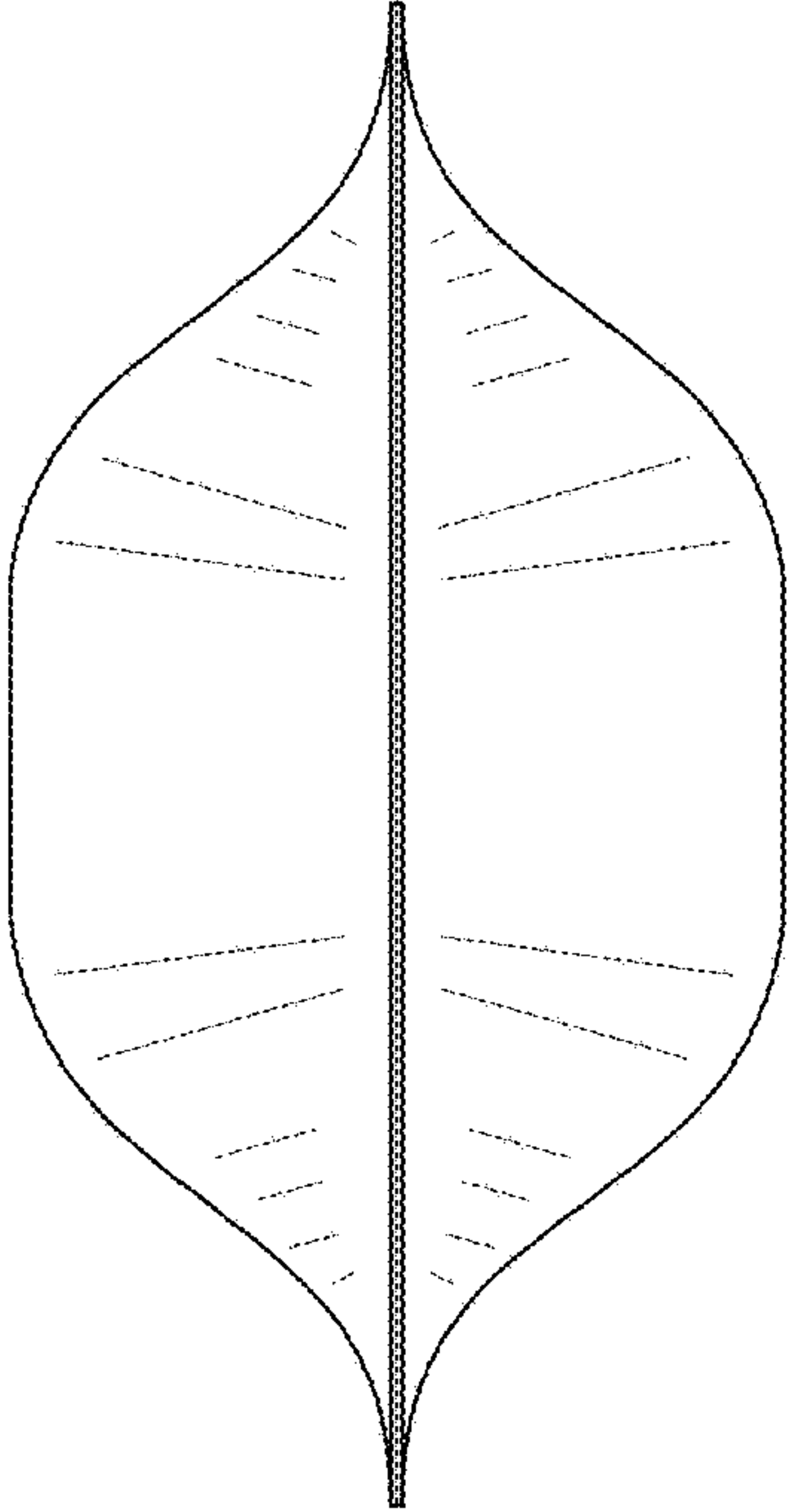


FIG. 4

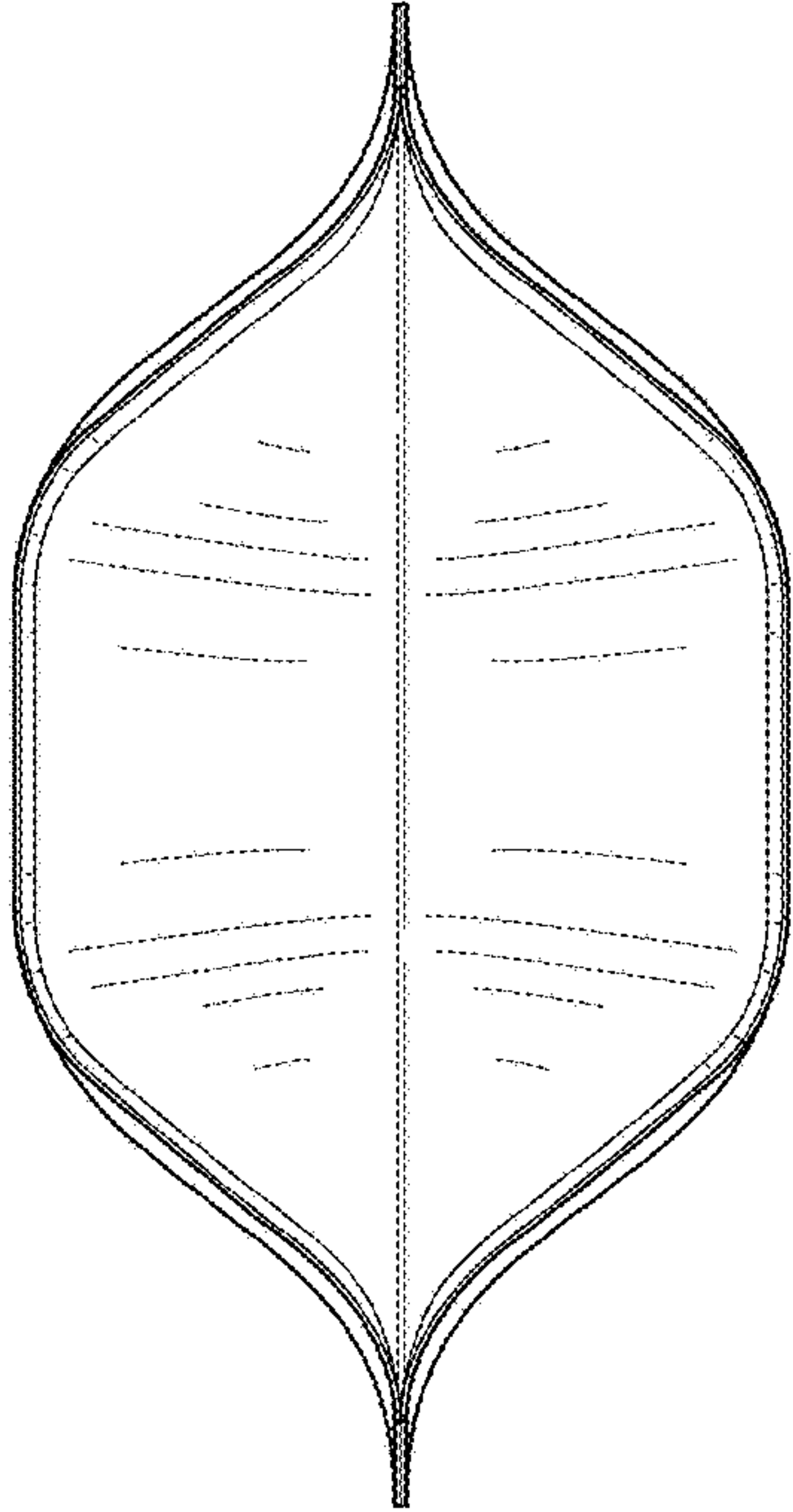


FIG. 5