



US00D796339S

(12) **United States Design Patent** (10) **Patent No.:** **US D796,339 S**
Pauley (45) **Date of Patent:** **** *Sep. 5, 2017**

(54) **WALL MOUNTED ARTWORK WITH LOCKABLE CONCEALED COMPARTMENT**

(71) Applicant: **Pat Pauley**, Honey Creek, IA (US)

(72) Inventor: **Pat Pauley**, Honey Creek, IA (US)

(*) Notice: This patent is subject to a terminal disclaimer.

(**) Term: **15 Years**

(21) Appl. No.: **29/555,079**

(22) Filed: **Feb. 18, 2016**

(51) **LOC (10) Cl.** **06-04**

(52) **U.S. Cl.**
USPC **D9/663**

(58) **Field of Classification Search**
USPC D6/334-336, 349, 351, 352, 358, 360, D6/364, 365, 366, 374, 375, 379, 380, D6/611, 657, 662.1, 672, 674, 675, 675.1, D6/675.3, 683, 683.1, 685, 691, 691.5, D6/702, 708, 708.2, 708.21, 708.25, 716, D6/716.1-716.4; D3/304, 307, 309; D7/333; D23/286, 343; D24/227-230; D25/48.4, 113, 163
CPC A47B 81/005; A47B 81/00; A47B 67/02; A47B 77/02; A47B 47/05; A47B 87/005; A47G 1/12; B42F 17/00; G09F 1/12; A47F 3/002; A47F 5/08; A45C 11/16
See application file for complete search history.

(56) **References Cited**

U.S. PATENT DOCUMENTS

D179,872 S * 3/1957 Wrablica D6/559
2,980,309 A * 4/1961 Papas A47G 1/12
206/783
4,155,608 A * 5/1979 Orlewicz A47B 81/005
109/51
4,304,447 A * 12/1981 Ellwood et al. A45C 11/16
312/204

4,309,065 A * 1/1982 Pappas A47B 81/005
224/912
D281,476 S * 11/1985 Smith, Jr. D6/530
4,831,754 A * 5/1989 Tallent A47F 3/002
40/800
D384,823 S * 10/1997 Sugar et al. D27/186
(Continued)

OTHER PUBLICATIONS

“LedgeLOKR Shelf With Locking Secret Compartment” Aug. 15, 2014, alloutdoor.com, site visited Mar. 15, 2017 <<http://www.alloutdoor.com/2014/08/15/hiding-plain-sight-furniture-hide-guns/>>.*

(Continued)

Primary Examiner — Kevin Rudzinski
Assistant Examiner — Paul Bohannon
(74) *Attorney, Agent, or Firm* — Head, Johnson, Kachigian, Wilkinson, PC

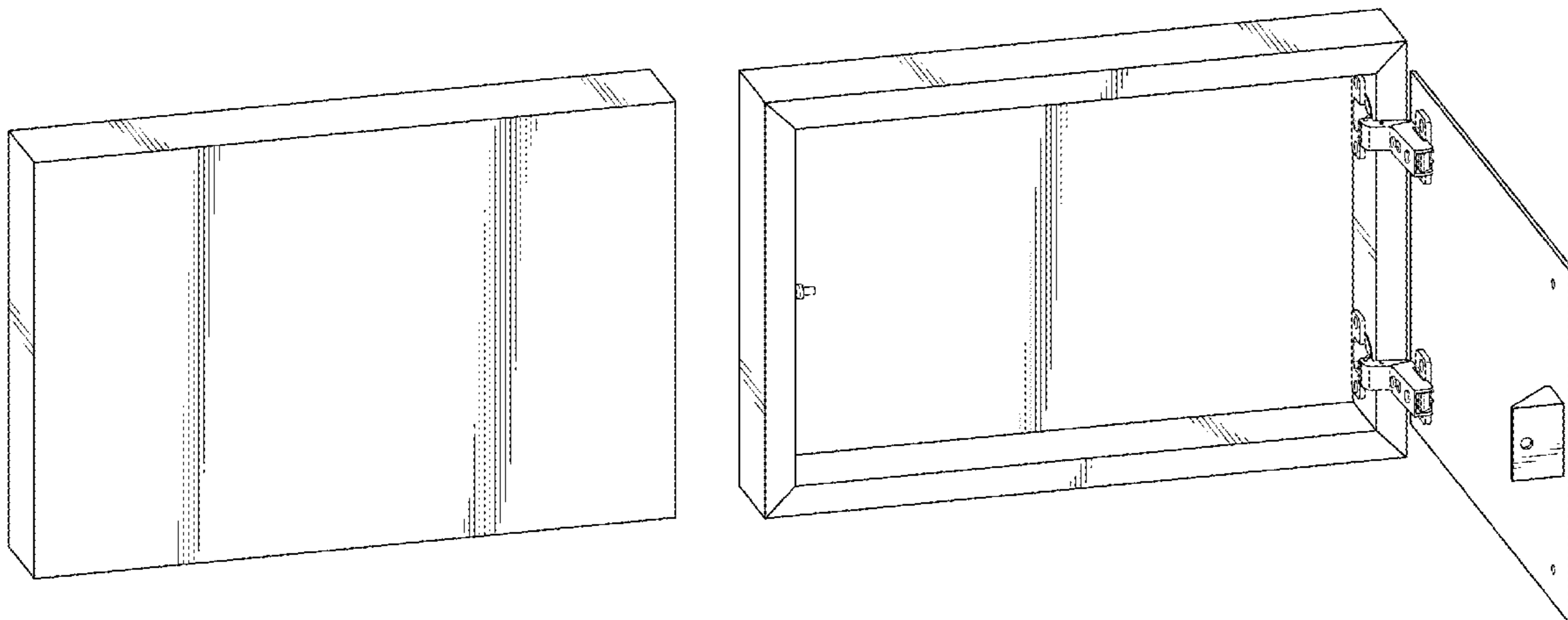
(57) **CLAIM**

The ornamental design for a wall mounted artwork with lockable concealed compartment, as shown and described.

DESCRIPTION

FIG. 1 is a front perspective view of the invention; FIG. 2 is a back perspective view of the invention; FIG. 3 is a back perspective view of the invention in an alternate position; FIG. 4 is a front view of the invention; FIG. 5 is a back view of the invention; FIG. 6 is a top view of the invention, where the bottom view is identical; FIG. 7 is a right side view of the invention, where the left side view is identical; FIG. 8 is a cross-sectional view of the invention; and, FIG. 9 is a cross-sectional view of the invention in the alternate position.
The broken line is for the purpose of illustrating portions of the article that form no part of the claimed design.

1 Claim, 4 Drawing Sheets



(56)

References Cited

U.S. PATENT DOCUMENTS

D416,736 S * 11/1999 Bergin D6/559
6,349,494 B1 * 2/2002 Haggarty-Robbins ... G09F 1/12
312/319.1
7,967,400 B1 * 6/2011 Collum A47B 81/00
312/204
8,770,416 B1 * 7/2014 Guida A47F 5/08
211/10
8,833,876 B2 * 9/2014 Lee A47G 1/12
312/227

OTHER PUBLICATIONS

“Hide—A—Gun Picture Frame, Dark Oak” Aug. 3, 2014,
sportsmansguide.com, site visited Mar. 15, 2017 <<http://www.sportsmansguide.com/product/index/hide-a-gun-picture-frame-dark-oak?a=148194>>.*

* cited by examiner

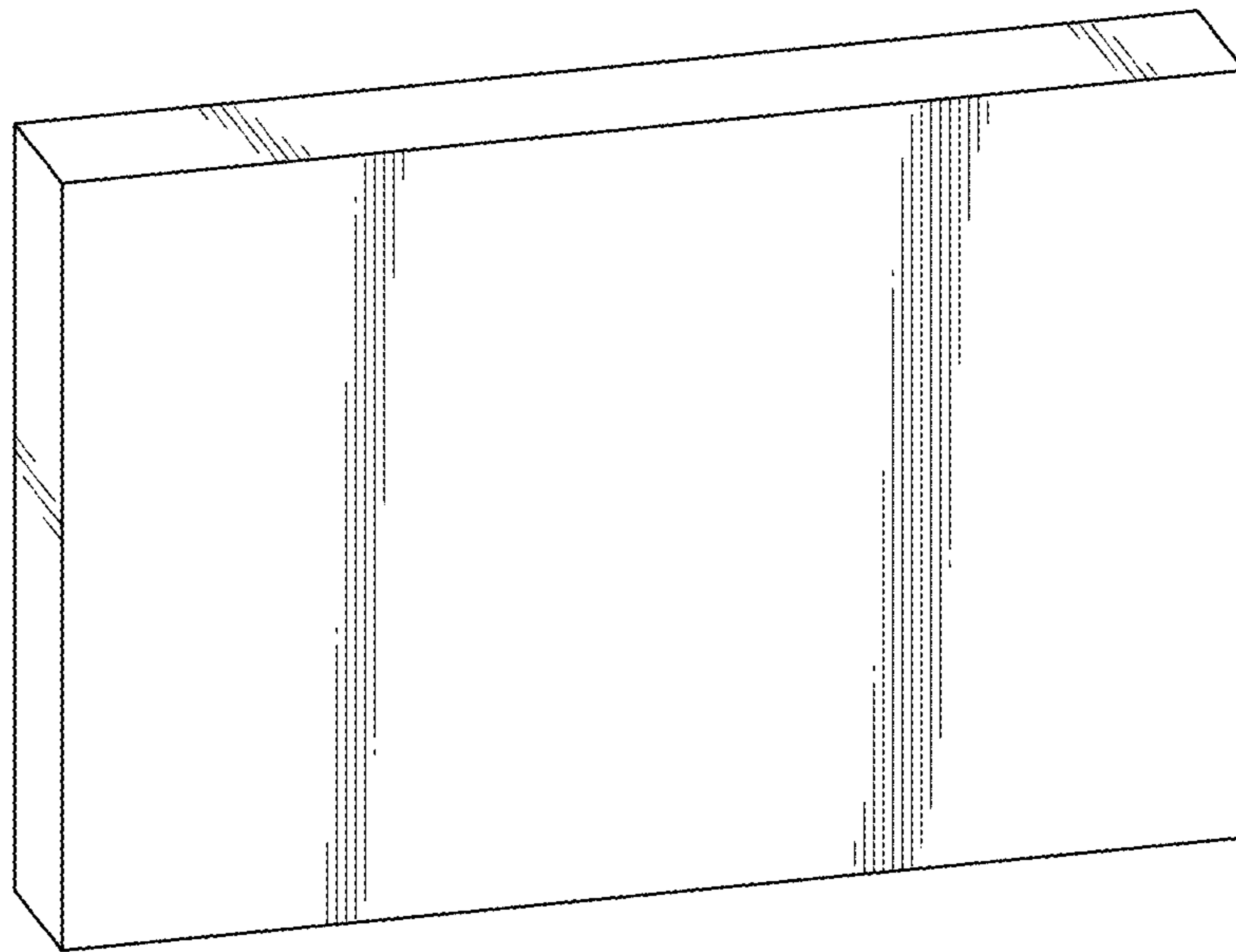


FIG. 1

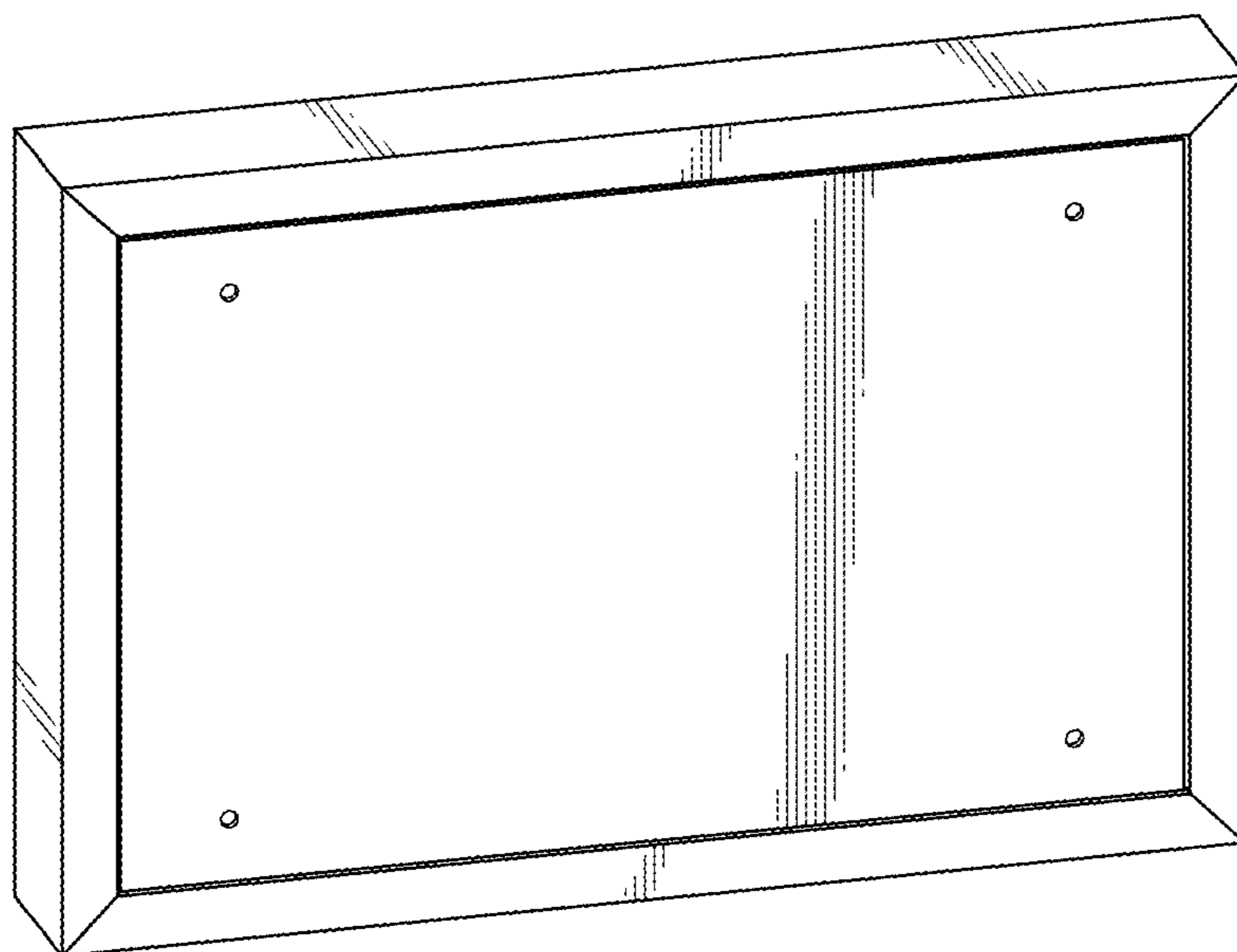


FIG. 2

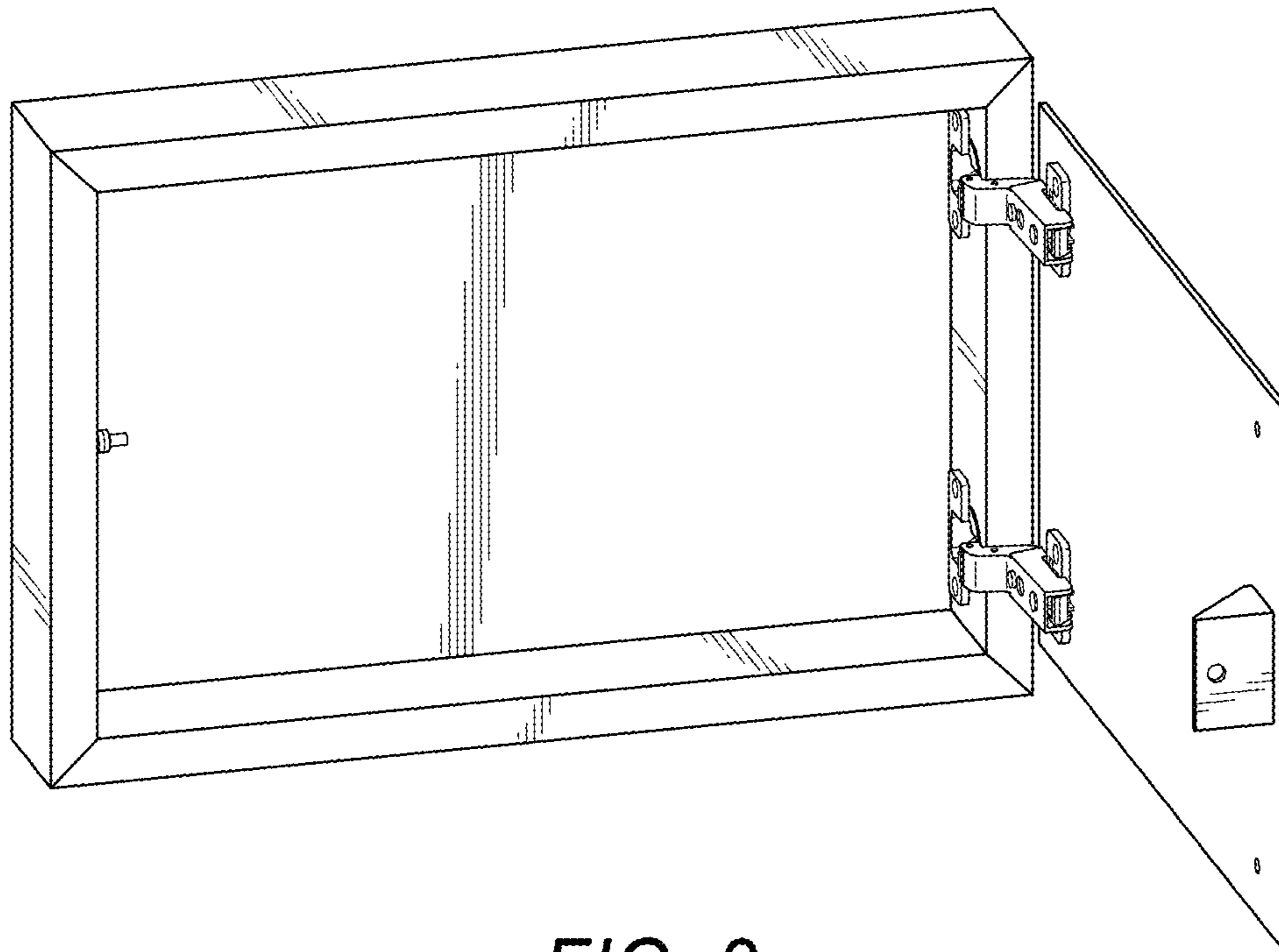


FIG. 3

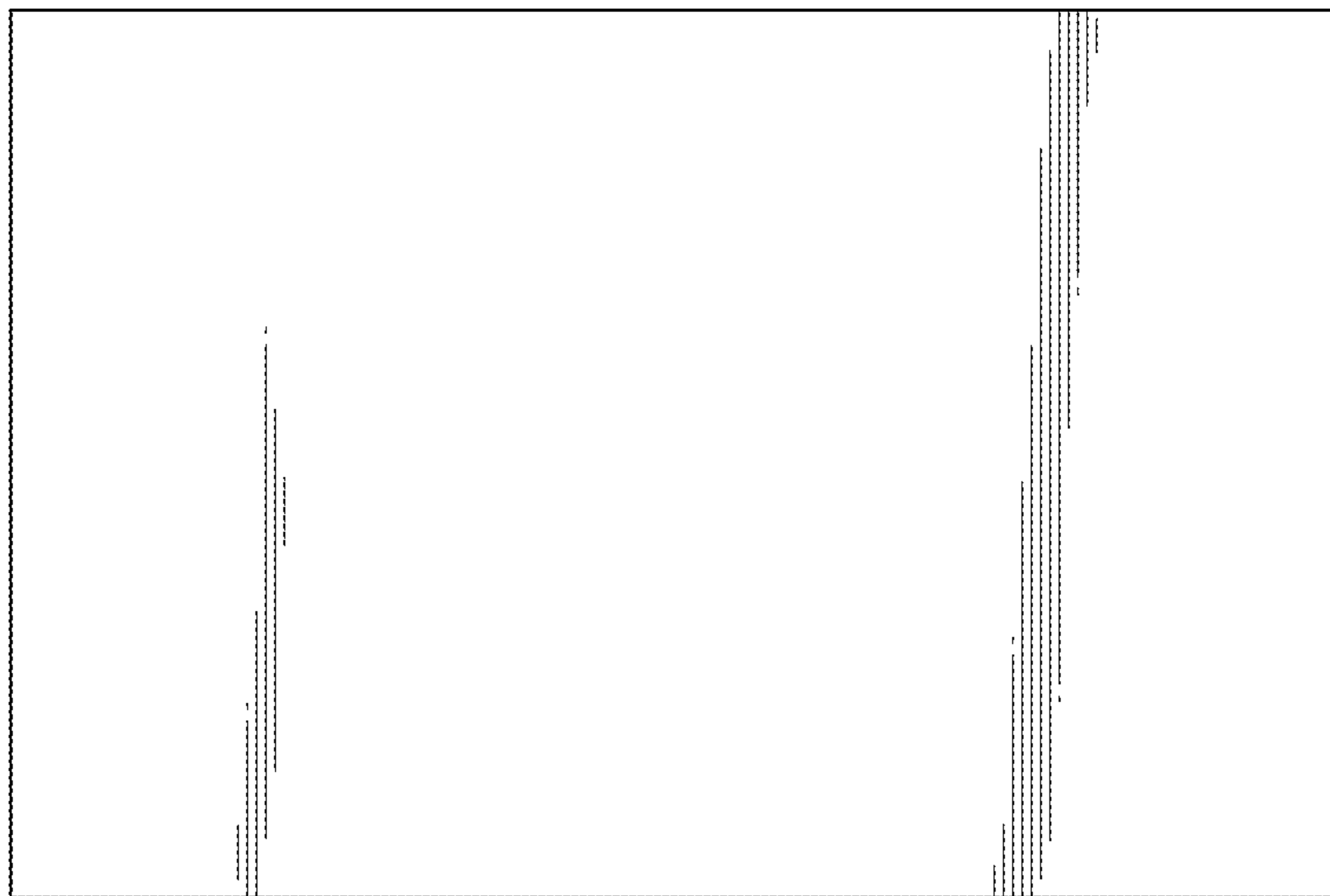


FIG. 4

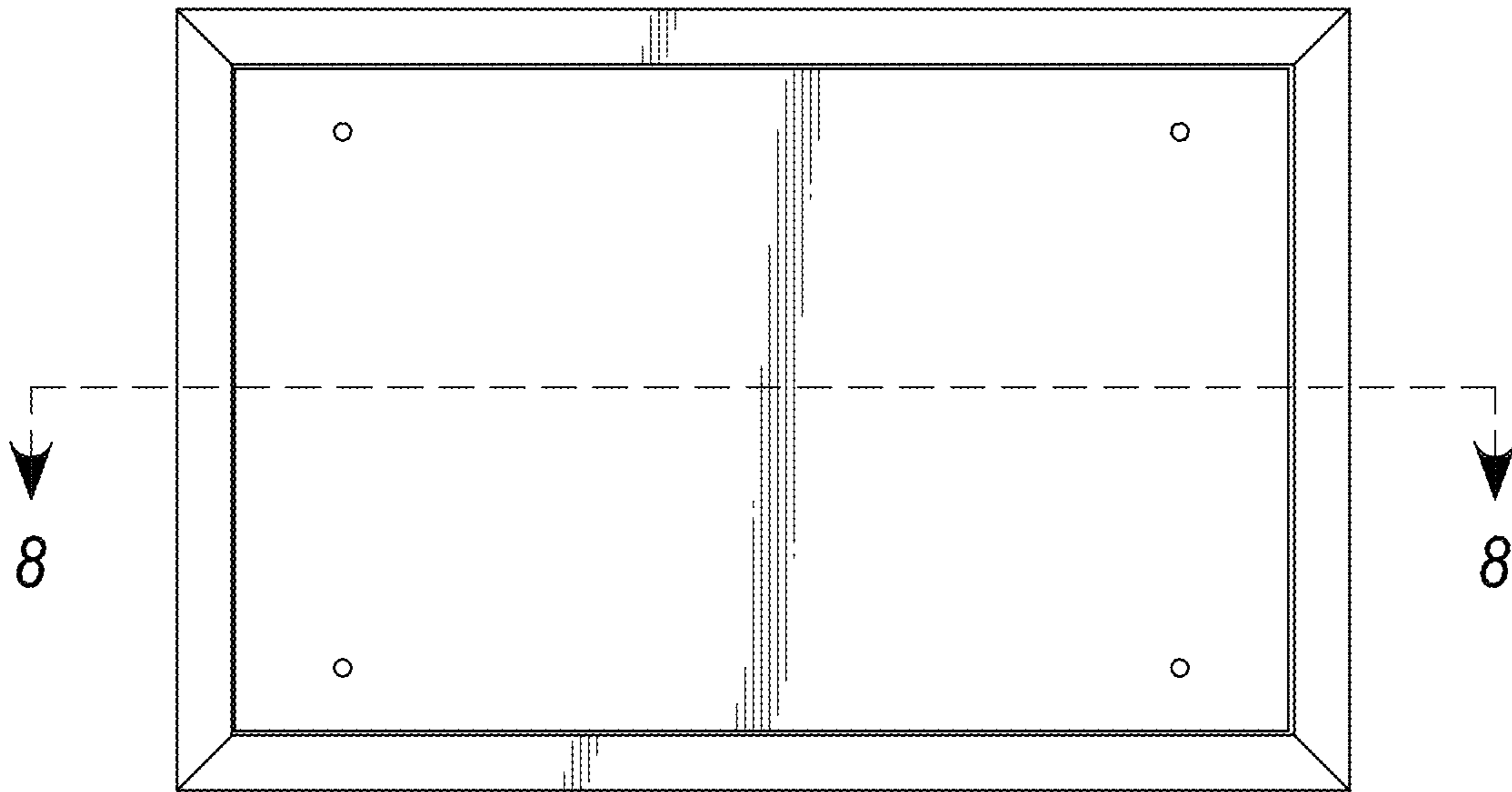


FIG. 5



FIG. 6



FIG. 7



FIG. 8

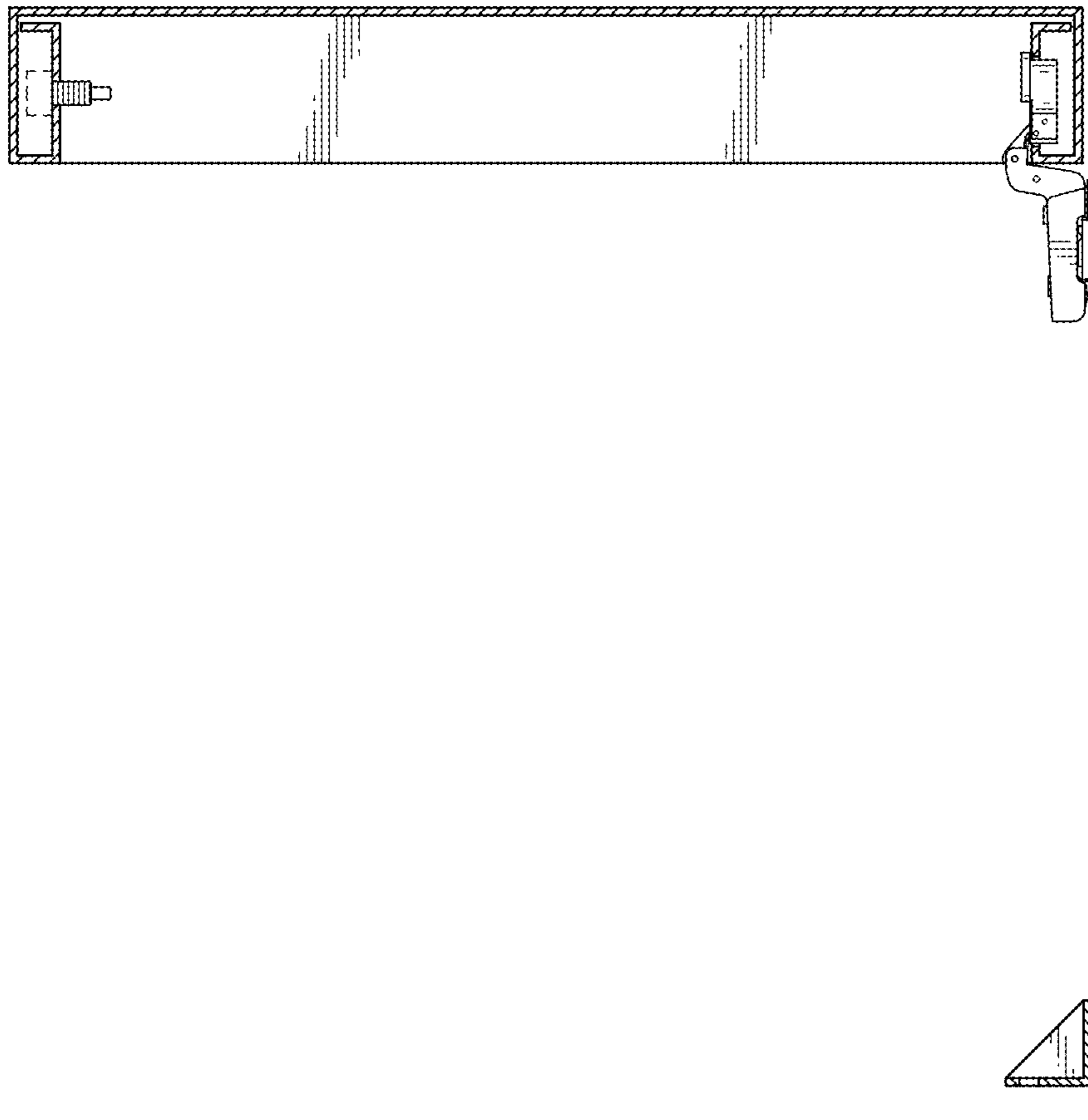


FIG. 9