



US00D796330S

(12) **United States Design Patent** (10) **Patent No.:** **US D796,330 S**
Vazin (45) **Date of Patent:** **** Sep. 5, 2017**

(54) **BOTTLE**
(71) Applicant: **AMERICAN MADE PLASTIC INC.,**
Riverside, CA (US)
(72) Inventor: **Moe Vazin, Riverside, CA (US)**
(73) Assignee: **American Made Plastic, Inc.,**
Riverside, CA (US)
(**) Term: **14 Years**

D335,744 S * 5/1993 Small D23/205
D376,730 S * 12/1996 Hurst D7/514
D378,055 S * 2/1997 Waldon D7/313
D378,883 S * 4/1997 Magnusson D23/209
D436,294 S * 1/2001 Marck D7/511
D489,574 S * 5/2004 Copeland D7/533
D490,654 S * 6/2004 Allen D7/313
D529,749 S * 10/2006 Allen D7/306
D567,589 S * 4/2008 Freeman D7/533
D586,228 S * 2/2009 McWillis D6/674
D603,575 S * 11/2009 Kerman D23/202
D610,024 S * 2/2010 Lepoitevin D9/773
D651,854 S * 1/2012 Cabados D7/510

(21) Appl. No.: **29/517,665**
(22) Filed: **Feb. 15, 2015**
(51) **LOC (10) Cl.** **09-01**
(52) **U.S. Cl.**
USPC **D9/531**
(58) **Field of Classification Search**
USPC D7/306-308, 312, 313, 509-511, 532,
D7/533; D9/516, 531, 540, 543, 549,
D9/556, 557, 575; 215/14, 200, 214,
215/217, 223, 379, 398; 222/185.1, 465.1
CPC B65D 23/10; B65D 79/00; B65D 90/02
See application file for complete search history.

* cited by examiner

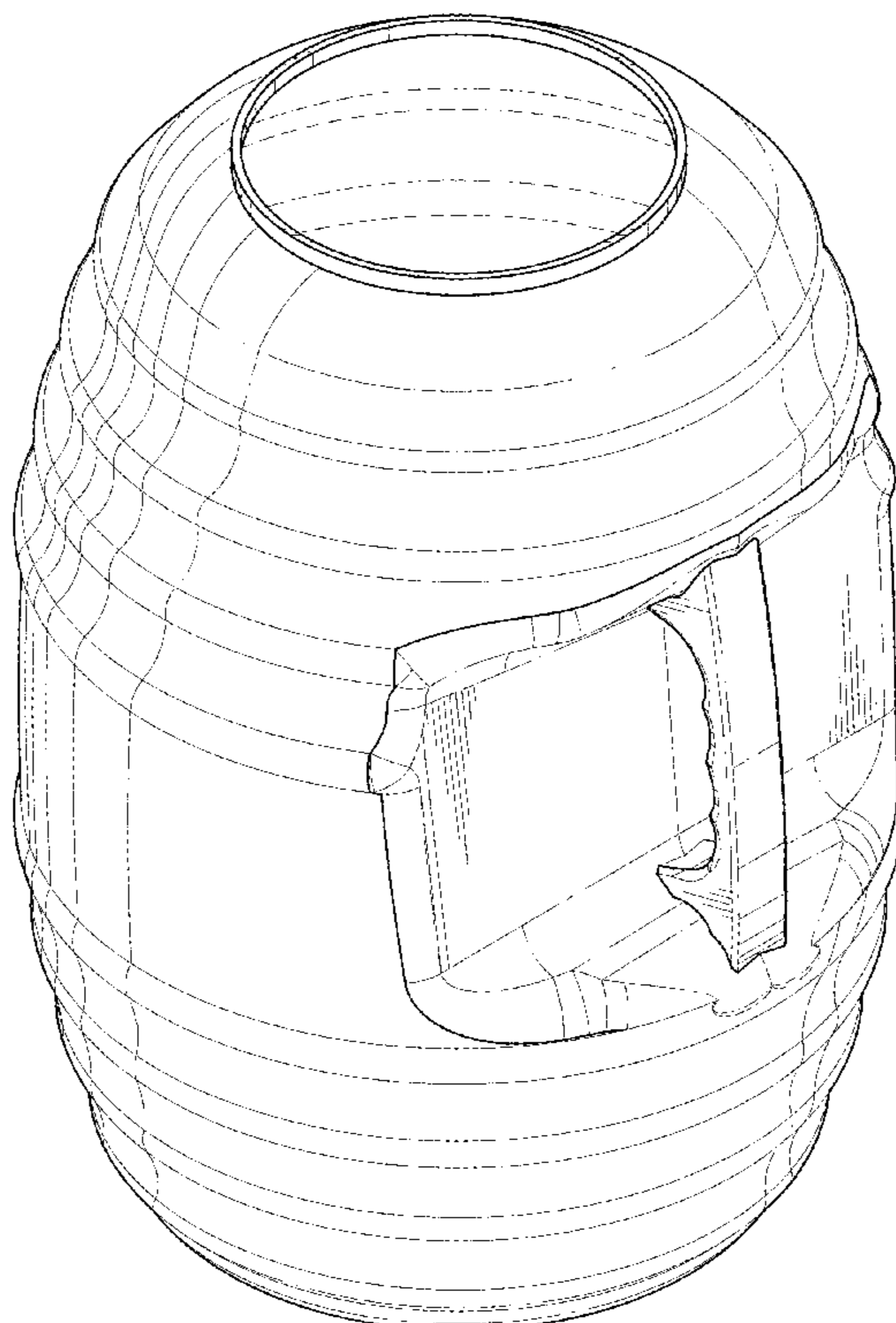
Primary Examiner — Derrick Holland
Assistant Examiner — Janice Lim
(74) *Attorney, Agent, or Firm* — Smyrski Law Group, A
P.C.

(56) **References Cited**
U.S. PATENT DOCUMENTS
D228,489 S * 10/1973 Mascia D9/633
D239,923 S * 5/1976 Lynd D9/633
D254,293 S * 2/1980 Fortuna D9/633
D276,499 S * 11/1984 Kamada D34/39
D286,097 S * 10/1986 Imanishi D34/39

(57) **CLAIM**
The ornamental design for a bottle, as shown and described.

DESCRIPTION
FIG. 1 is a perspective view of a bottle showing my new design;
FIG. 2 is a front view thereof;
FIG. 3 is a side view thereof;
FIG. 4 is a back view thereof;
FIG. 5 is a top plan view thereof; and,
FIG. 6 is a bottom plan view thereof.
The broken line portions are included to show unclaimed subject matter only and form no part of the claimed design.

1 Claim, 6 Drawing Sheets



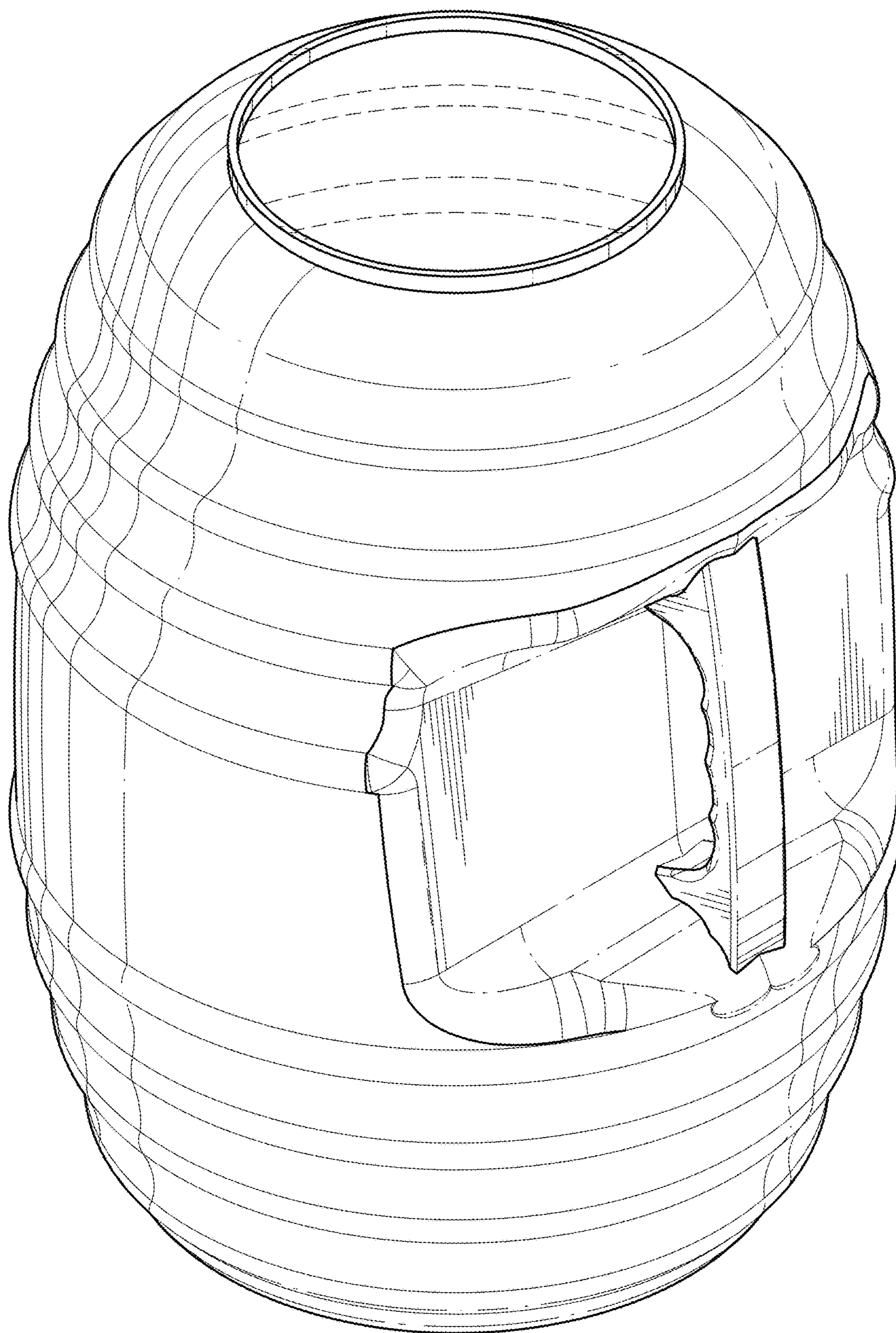


FIG. 1

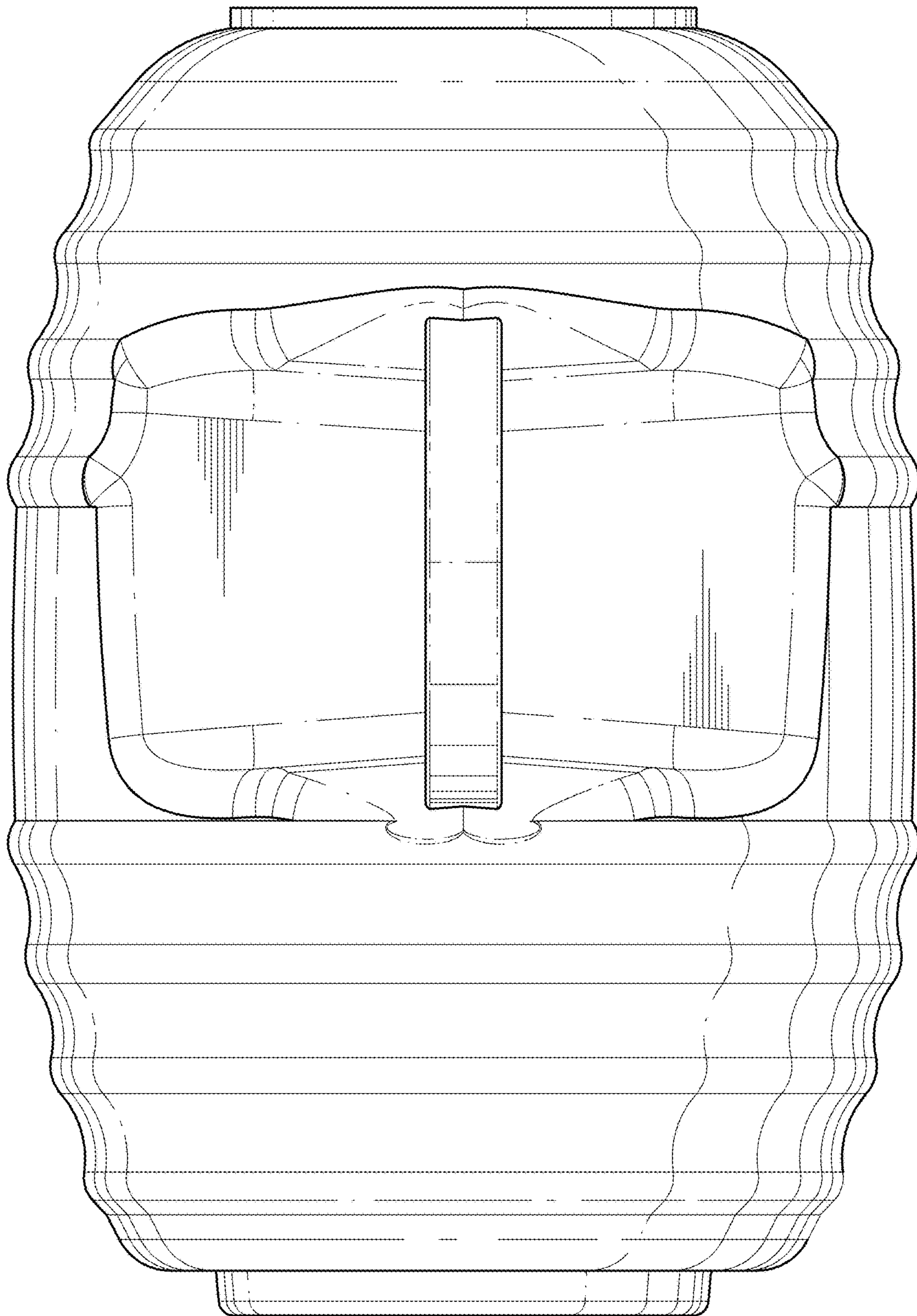


FIG. 2

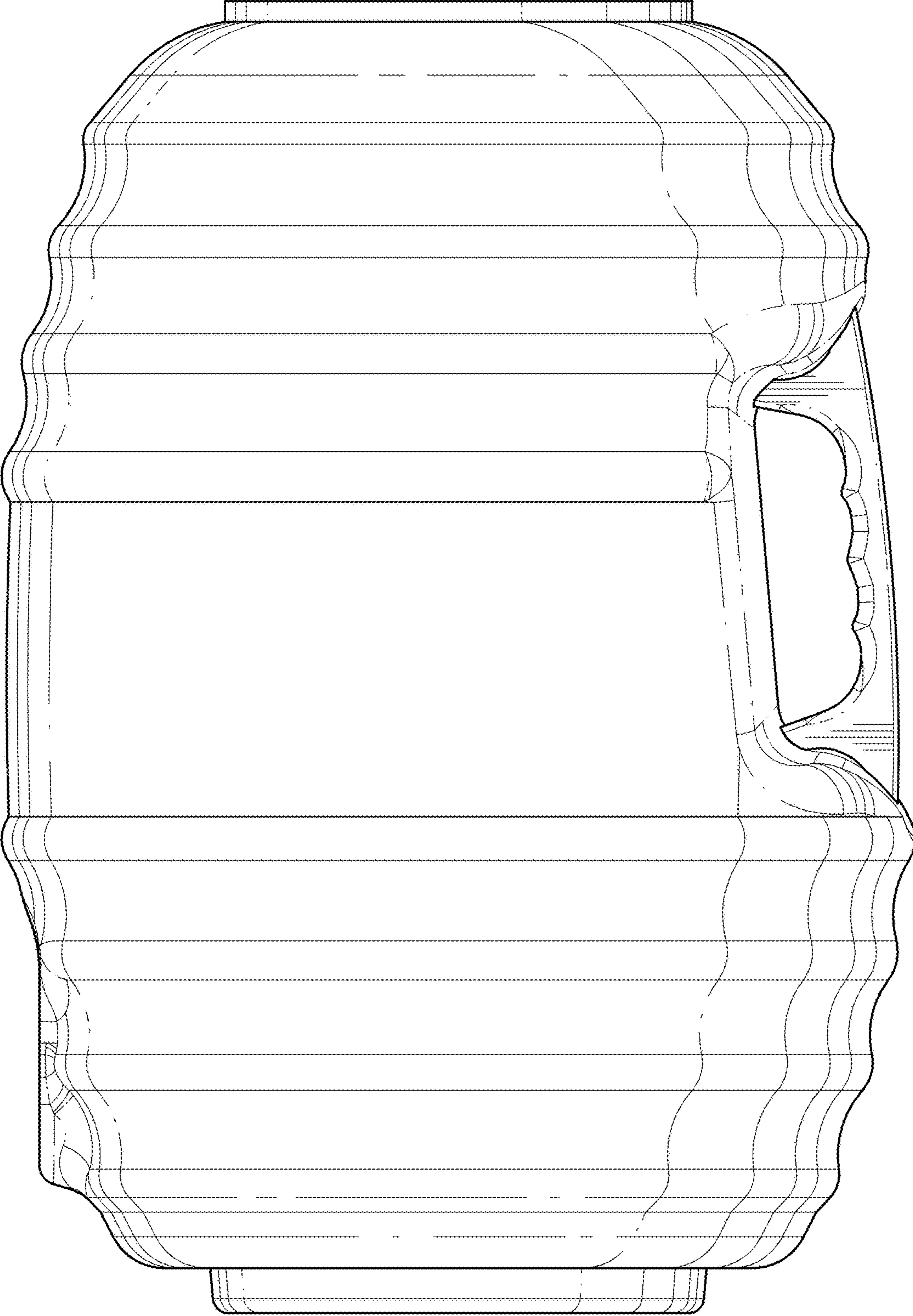


FIG. 3

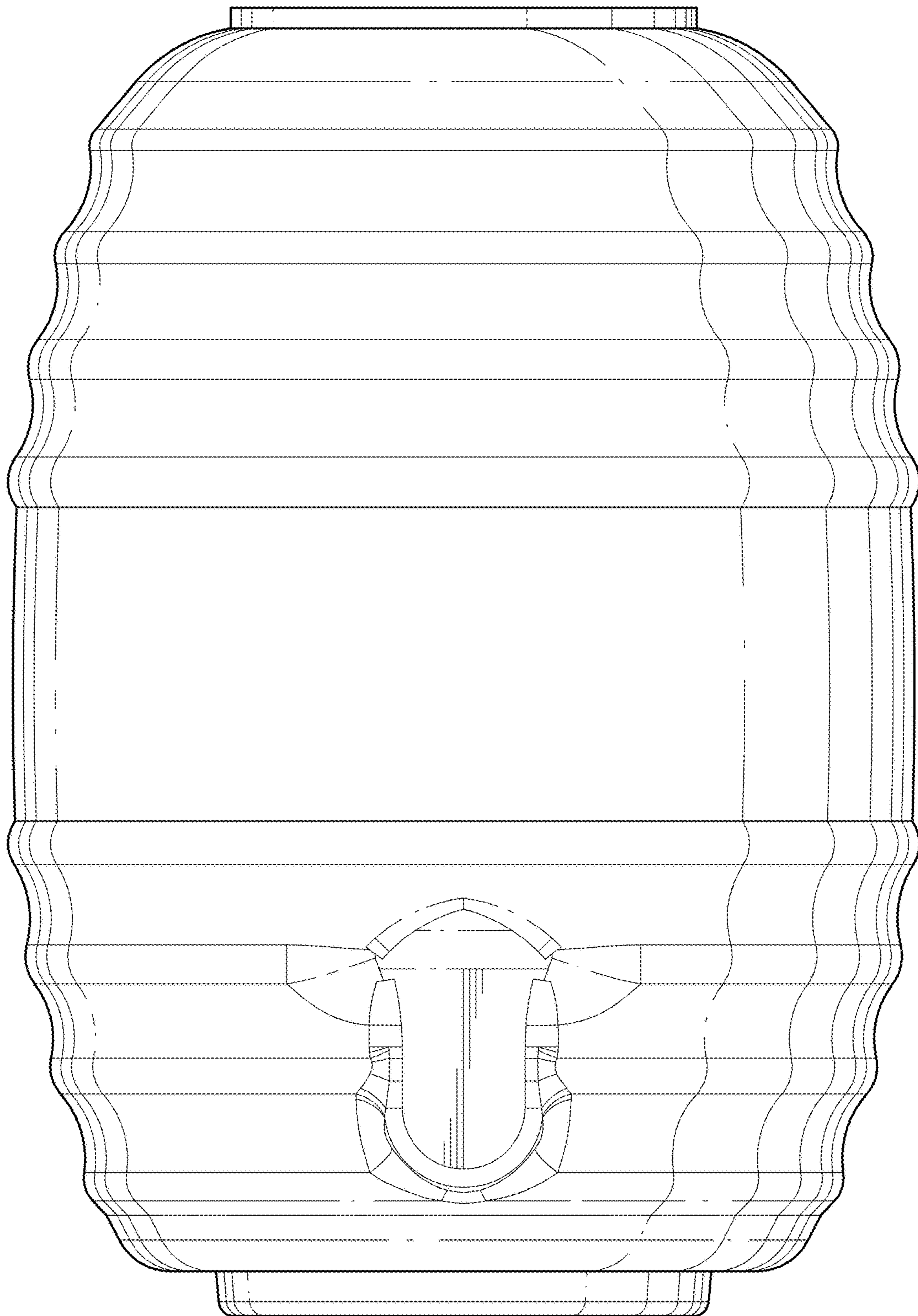


FIG. 4

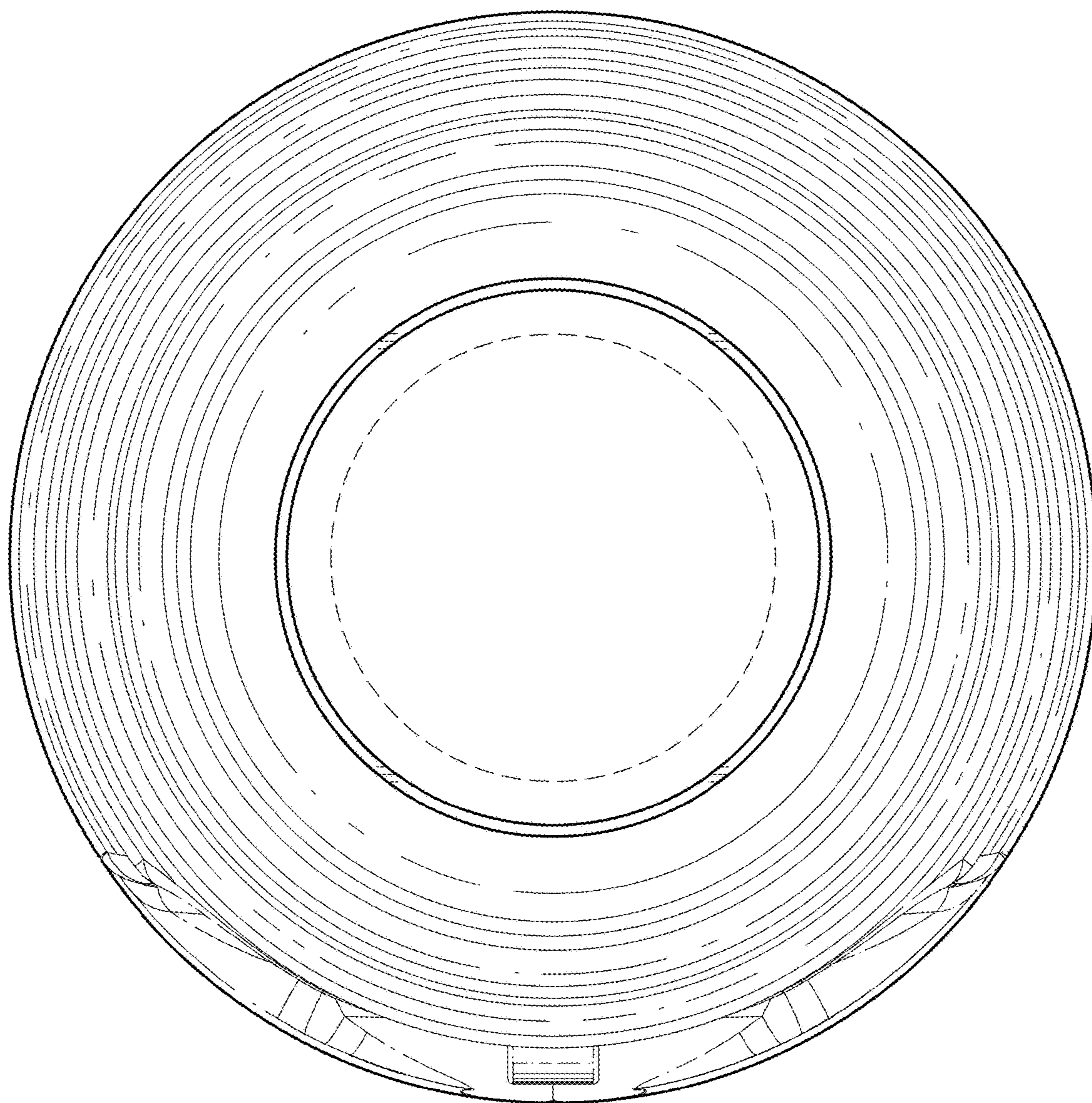


FIG. 5

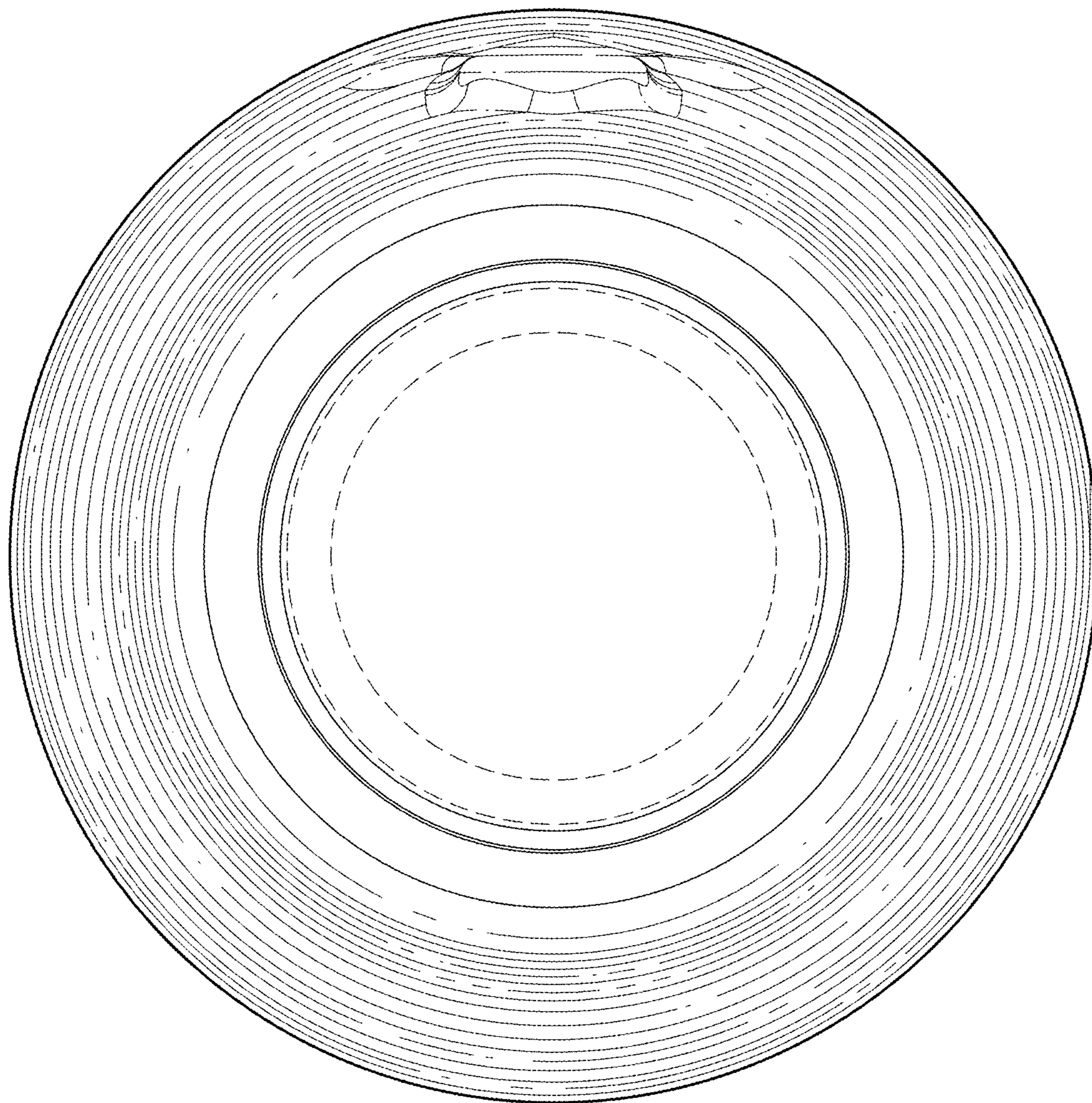


FIG. 6