

US00D796328S

(12) **United States Design Patent** (10) **Patent No.:** **US D796,328 S**
Walbroel et al. (45) **Date of Patent:** **** Sep. 5, 2017**

(54) **BOTTLE** D595,467 S * 6/2009 Wolford D34/4
D624,268 S * 9/2010 Wolford D34/4
D720,566 S * 1/2015 Giraldez D7/300.1

(71) Applicants: **Jillian Walbroel**, Woodland Park, NJ (US); **Christon G. Suess**, Paramus, NJ (US); **Jeffrey Steel**, Hoboken, NJ (US); **Carl Cetera**, Westfield, NJ (US)

(72) Inventors: **Jillian Walbroel**, Woodland Park, NJ (US); **Christon G. Suess**, Paramus, NJ (US); **Jeffrey Steel**, Hoboken, NJ (US); **Carl Cetera**, Westfield, NJ (US)

(73) Assignee: **Cotapaxi Custom Design and Manufacturing LLC**, Carlstadt, NJ (US)

(**) Term: **15 Years**

(21) Appl. No.: **29/561,021**

(22) Filed: **Apr. 12, 2016**

Related U.S. Application Data

(63) Continuation of application No. 29/551,506, filed on Jan. 14, 2016, now abandoned.

(51) **LOC (10) Cl.** **09-01**

(52) **U.S. Cl.**
USPC **D9/516; D9/537**

(58) **Field of Classification Search**
USPC D7/506, 514; D9/441, 451, 503-505, D9/516, 519, 521, 522, 529, 530, 535, D9/537-539, 541-545, 550-554, D9/558-559, 563, 565-567, 571-575; D12/162; D24/108, 127, 207
CPC B65D 51/245
See application file for complete search history.

(56) **References Cited**

U.S. PATENT DOCUMENTS

D391,852 S * 3/1998 Tucker D9/451
D547,516 S * 7/2007 Wolford D34/4

OTHER PUBLICATIONS

Corona Light Beer Tap Handle Keg Knob Football Helmet Figural, posted on ebay.ca, no posted date given, no production date given, [online], [site visited Feb. 1, 2017], Available from Internet, <URL: <http://www.ebay.ca/itm/Corona-Light-Beer-Tap-Handle-Keg-Knob-Football-Helmet-Figural-/361888582364?hash=item54423d8adc:g:2UAAAOSwtPZXHIEk>>.*
Seattle Seahawks Helmet Bottle Stopper, posted on proshop.seahawks.com, no posted date given, no production date given, [online], [site visited Feb. 1, 2017], Available from Internet, <URL: http://proshop.seahawks.com/Seattle_Seahawks_Kitchen_And_Bar/Seattle_Seahawks_Helmet_Bottle_Stopper>.*

* cited by examiner

Primary Examiner — Melanie H Tung
Assistant Examiner — Fritzgerald Butac
(74) *Attorney, Agent, or Firm* — Steven E. Shapiro

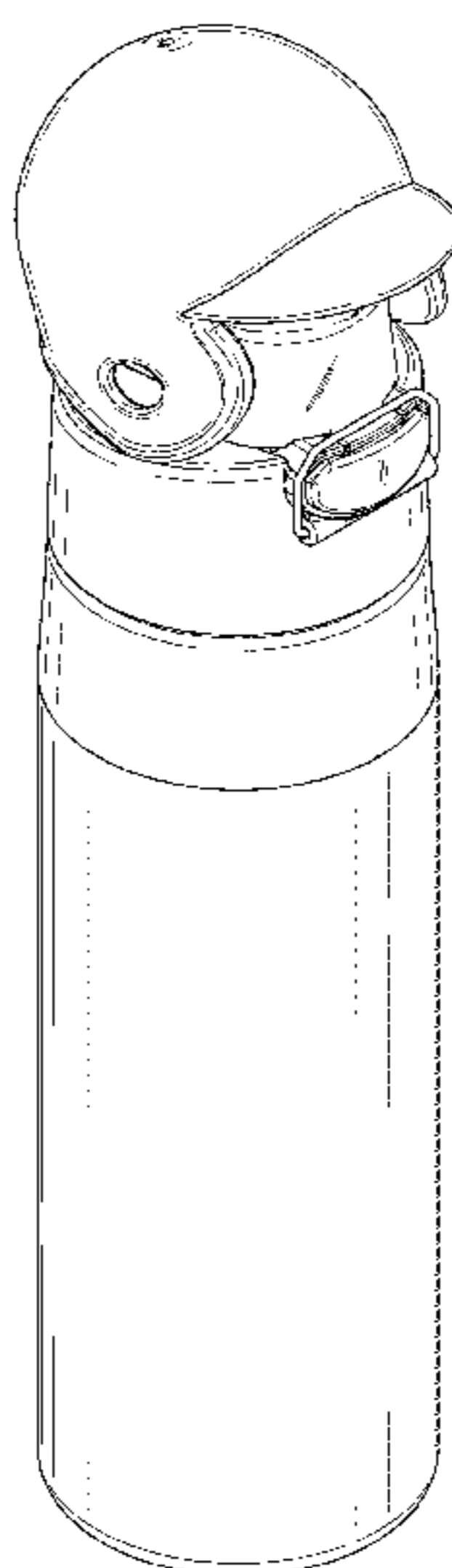
(57) **CLAIM**

The ornamental design for a bottle, as shown and described.

DESCRIPTION

FIG. 1 is a top perspective view of a bottle;
FIG. 2 is a rear perspective view of the bottle;
FIG. 3 is a front view of the bottle;
FIG. 4 is a right side of the bottle;
FIG. 5 is a left side view of the bottle;
FIG. 6 is a rear view of the bottle;
FIG. 7 is an enlarged top view of the bottle; and
FIG. 8 is an enlarged bottom view of the bottle.
The broken linen FIG. 8 defines the bounds of the claimed design and forms no part thereof.

1 Claim, 7 Drawing Sheets



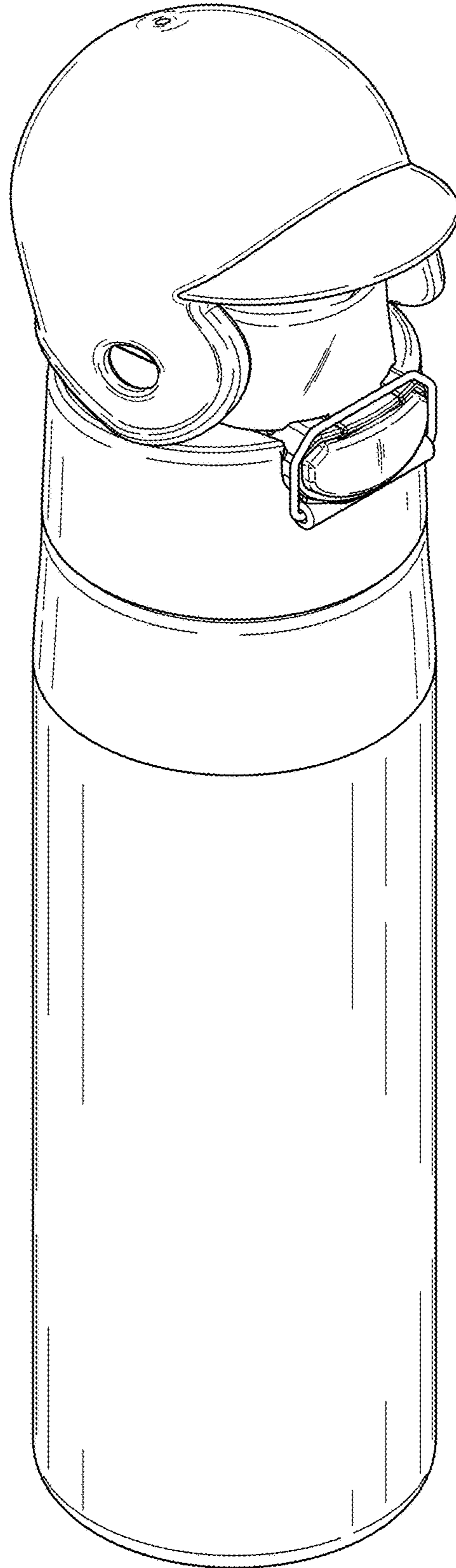


FIG. 1

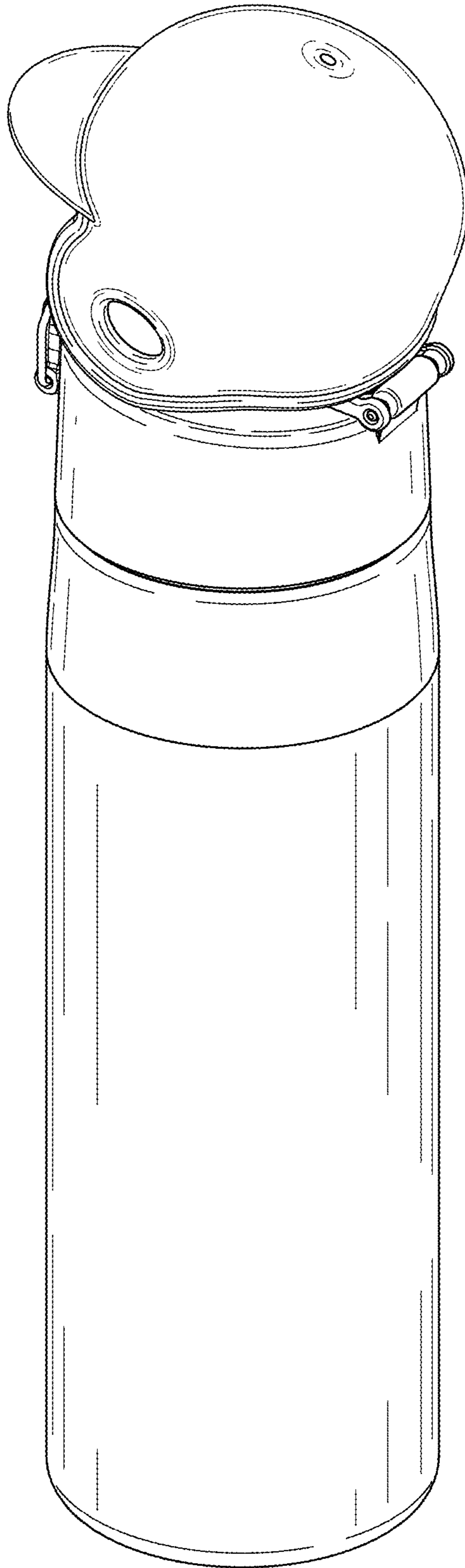


FIG. 2

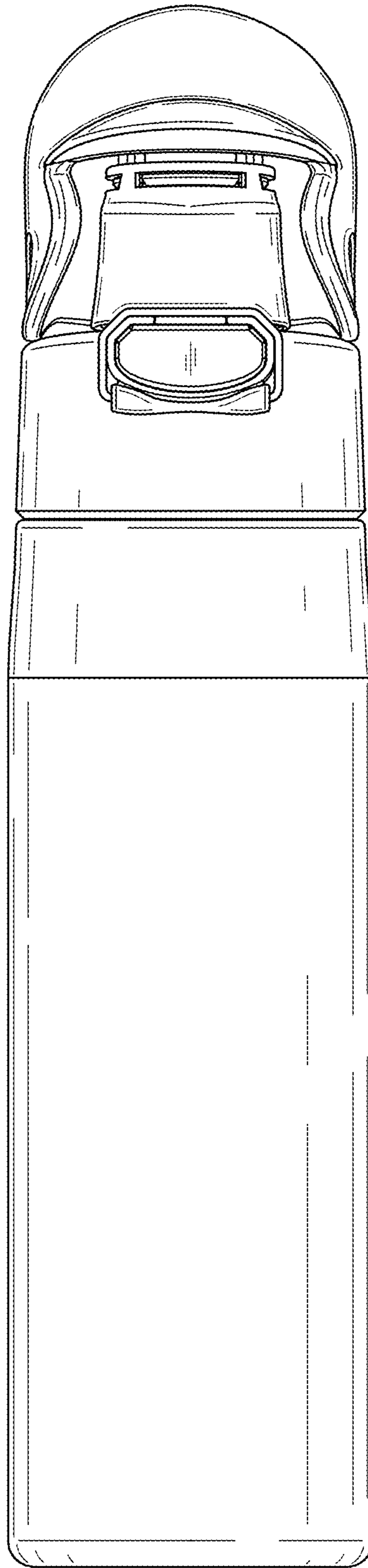


FIG. 3

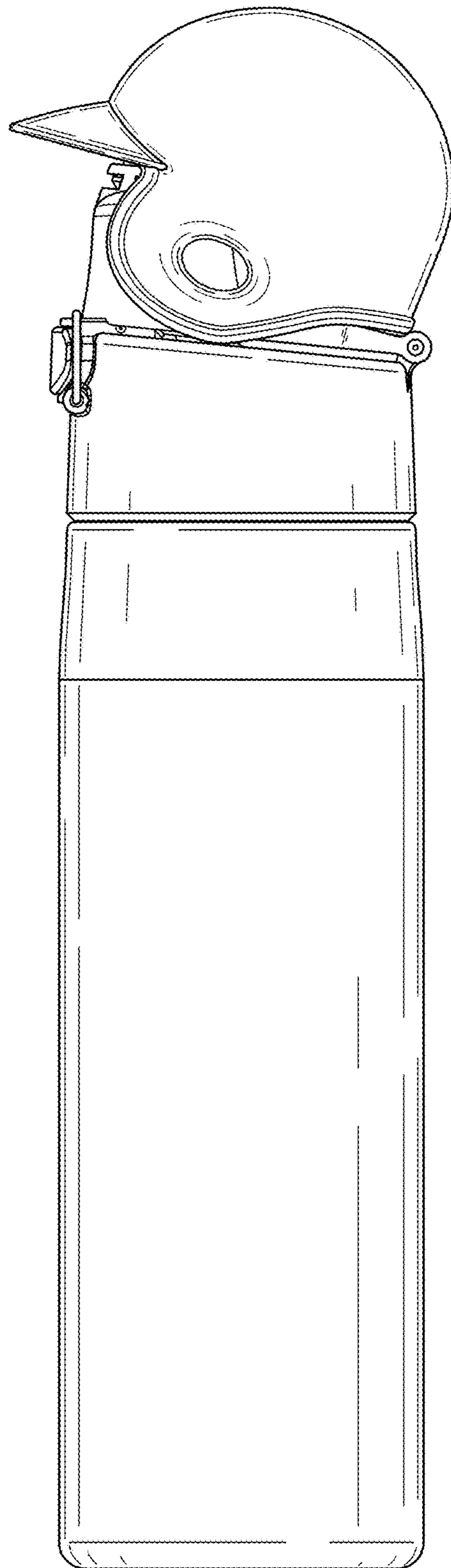


FIG. 4

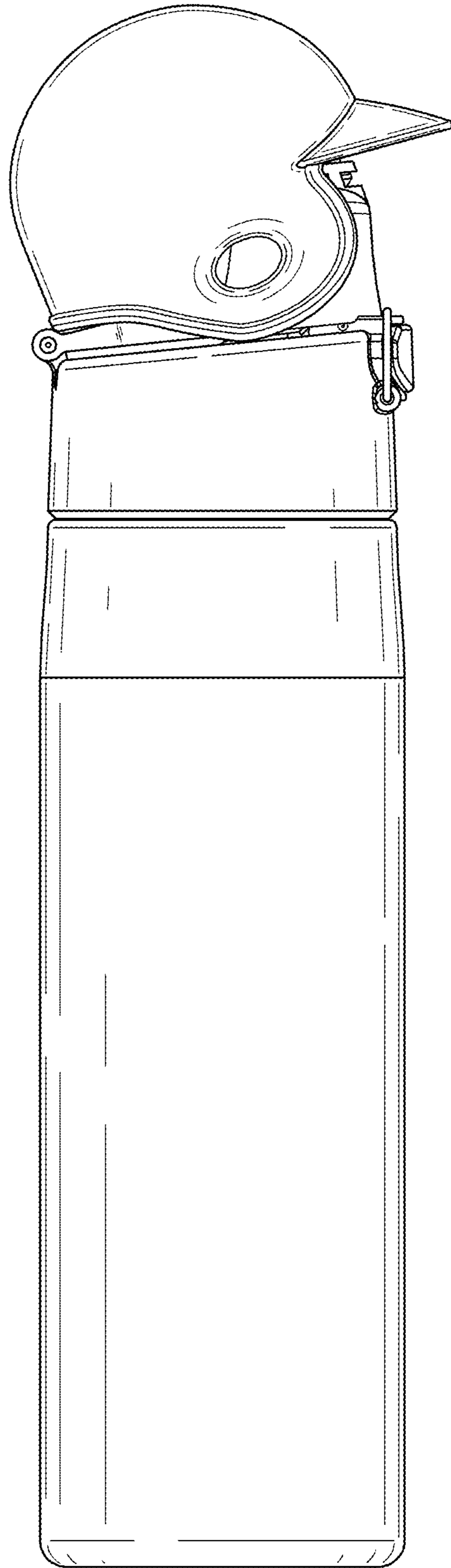


FIG. 5

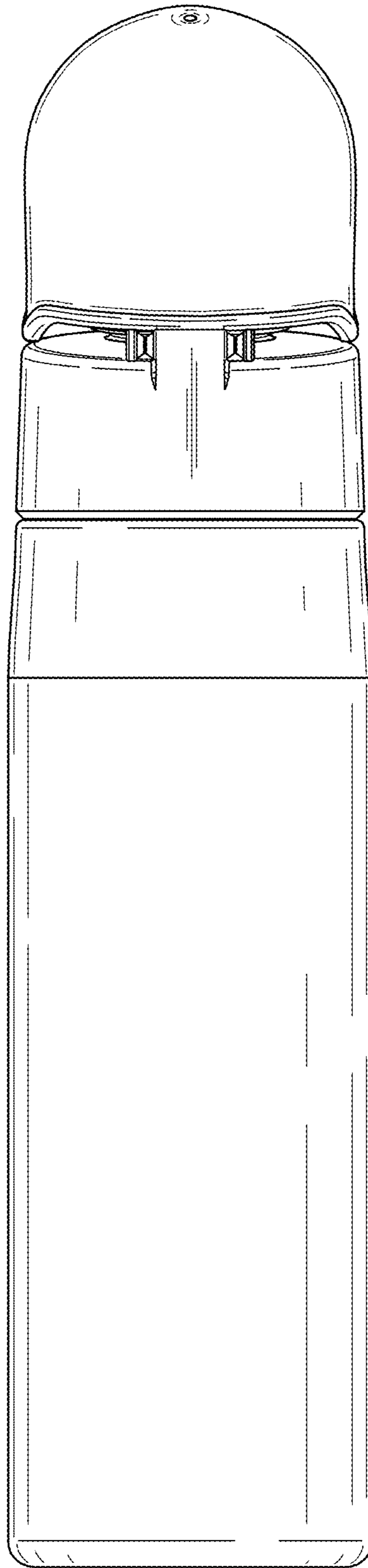


FIG. 6

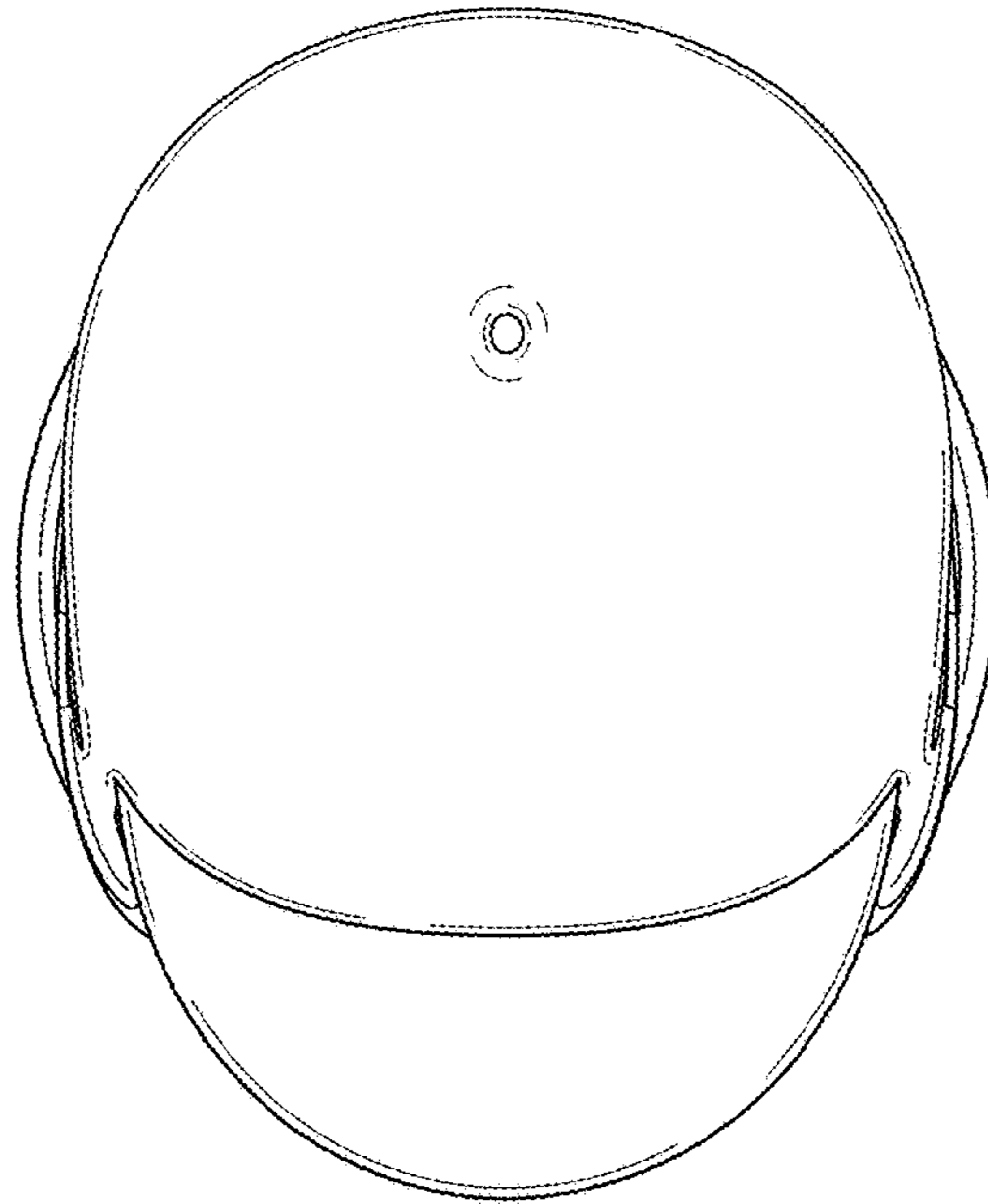


FIG. 7

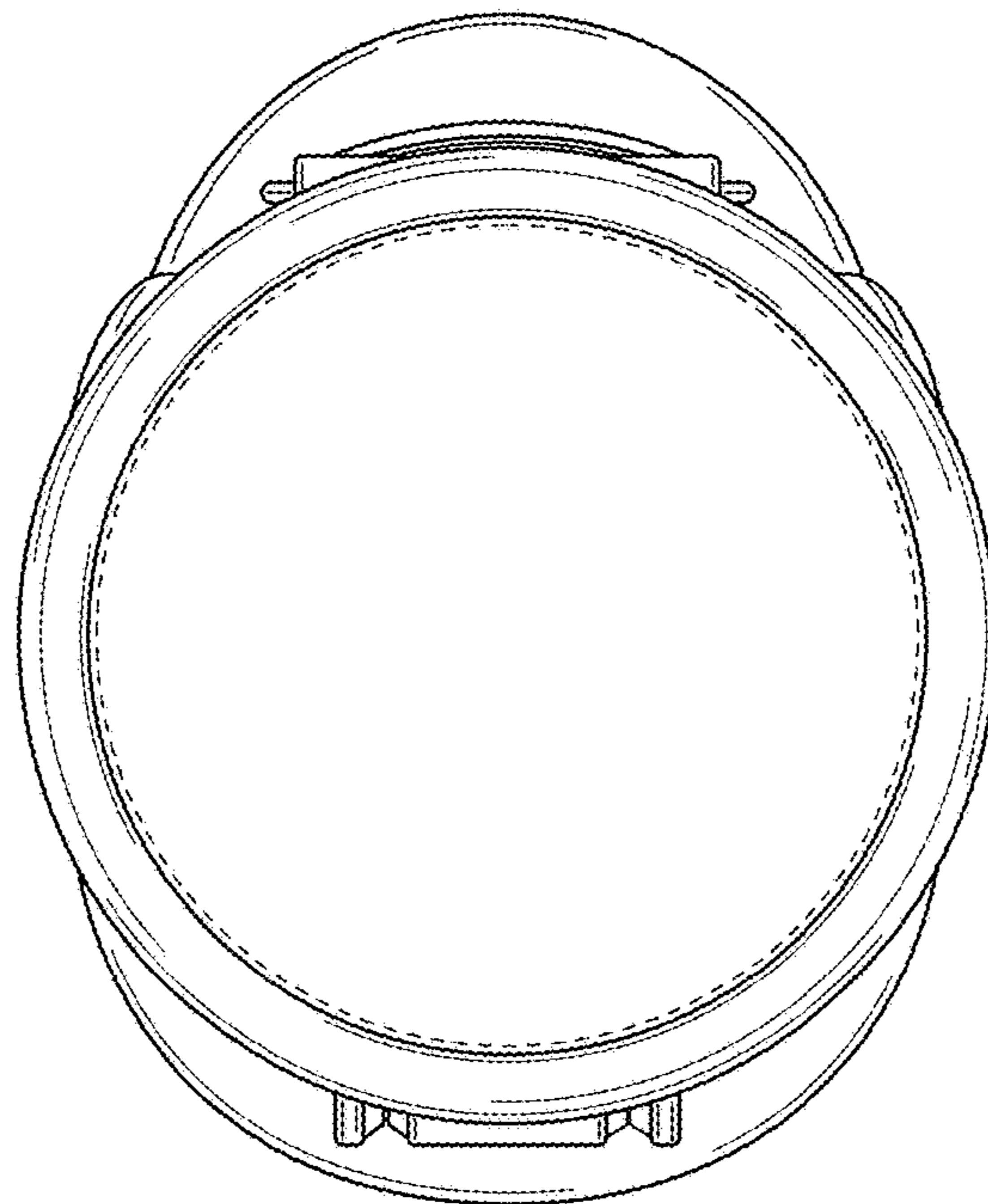


FIG. 8