



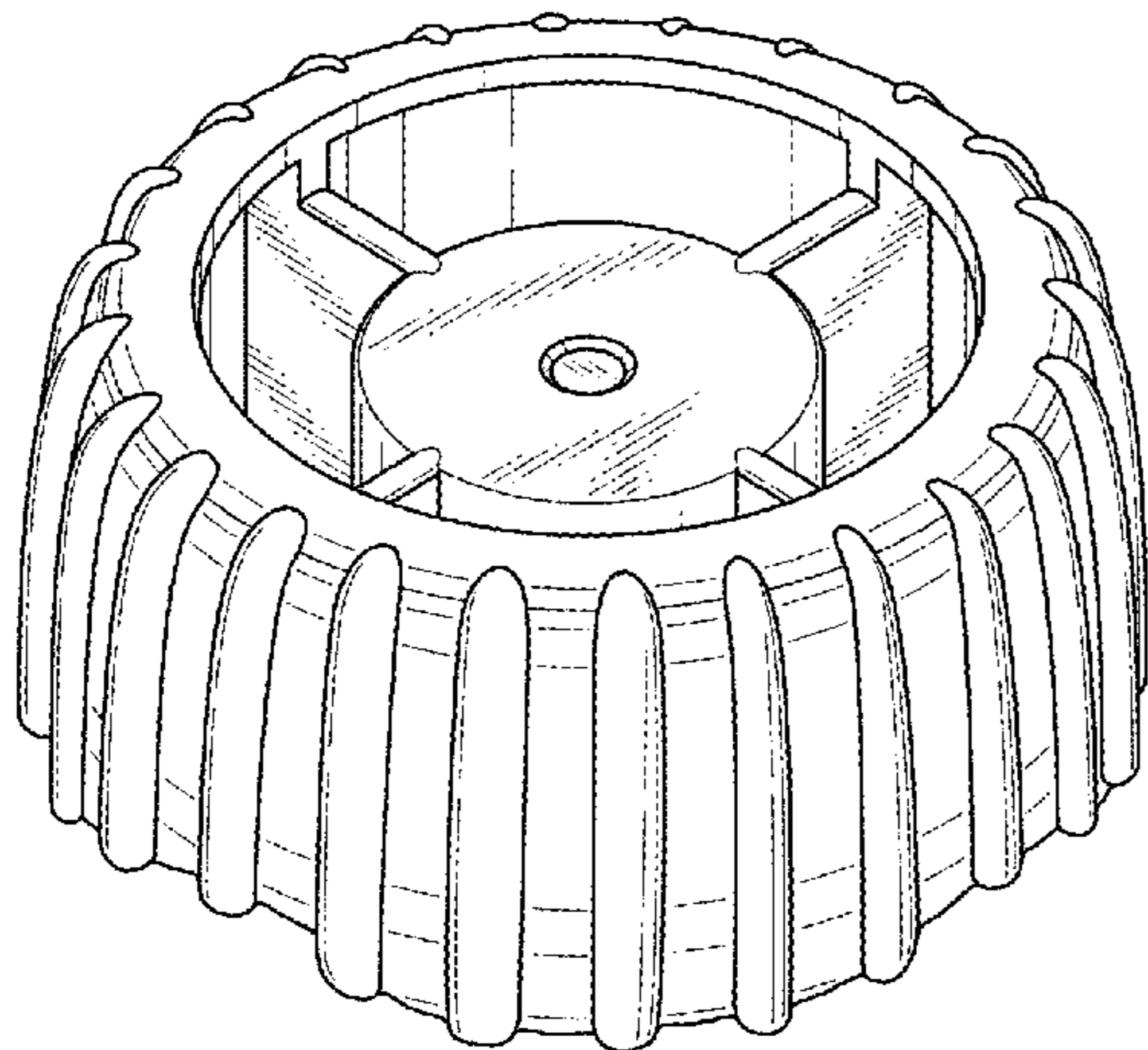
US00D796326S

(12) **United States Design Patent** (10) **Patent No.:** **US D796,326 S**
Ichikawa et al. (45) **Date of Patent:** **** Sep. 5, 2017**

(54) **CAP FOR PACKAGING CONTAINER**
(71) Applicant: **HOSOKAWA YOKO CO., LTD.**,
Tokyo (JP)
(72) Inventors: **Toru Ichikawa**, Tokyo (JP); **Tomonari
Shinohara**, Tokyo (JP)
(73) Assignee: **Hosokawa Yoko Co., Ltd.**, Tokyo (JP)
(**) Term: **14 Years**
(21) Appl. No.: **29/524,098**
(22) Filed: **Apr. 16, 2015**
(30) **Foreign Application Priority Data**

Oct. 20, 2014 (JP) 2014-023439
(51) **LOC (10) Cl.** **09-07**
(52) **U.S. Cl.**
USPC **D9/453**; D9/434; D9/435
(58) **Field of Classification Search**
USPC D3/202, 273, 275, 294; D7/387, 391,
D7/397, 412, 415; D8/303, 321;
D9/435, 439, 440, 443, 445, 447, 449,
D9/452, 453, 454, 499, 520, 558, 705,
D9/708, 709, 710; D19/70, 71, 93, 96,
D19/97, 163, 194; D22/82; D11/152;
D21/259, 260; 215/41, 40, 220, 222,
215/253, 271, 373, 375, 381; 220/254.2,
220/254.3, 254.5, 254.7, 254.9, 260, 264,
220/266, 285, 368, 521, 711, 714, 811,
220/812, 835, 837; 222/153.11-153.14,
222/383.1, 383.2, 383.3, 383.4
CPC A62C 31/02; B65D 1/02; B65D 1/0233;
B65D 1/08; B65D 1/10; B65D 23/00;
B65D 23/08; B65D 23/10; B65D 25/00;
B65D 25/40; B65D 25/42; B65D 25/46;
B65D 25/48; B65D 25/77; B65D 39/00;
B65D 39/0047; B65D 41/00; B65D
43/00; B65D

(Continued)



(56) **References Cited**
U.S. PATENT DOCUMENTS
5,180,073 A * 1/1993 Fay B65D 39/0023
215/261
D419,071 S * 1/2000 Peters D9/449
(Continued)

FOREIGN PATENT DOCUMENTS
KR 300839330.0000 * 2/2016
SE 66885-0001 * 5/2001

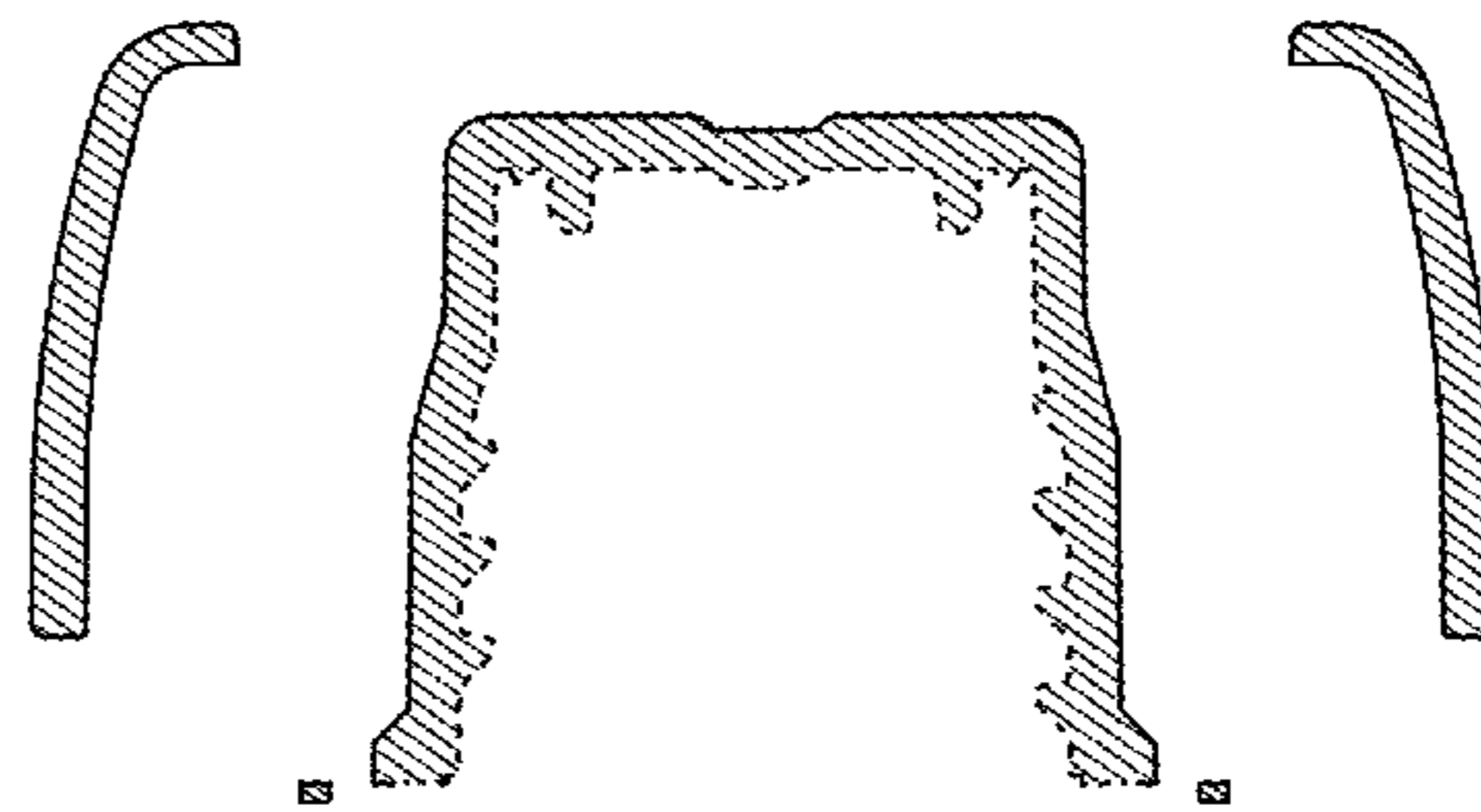
OTHER PUBLICATIONS
My Lil Pouch Choke Safe Lid: Announced Mar. 12, 2016 [online],
site visited [Jun. 21, 2016. Available from Internet URL: <http://www.mylilpouch.com.au/product/choke-safe-lids-5-pack/>.
(Continued)

Primary Examiner — Thomas Johannes
Assistant Examiner — Catherine Posthauer
(74) *Attorney, Agent, or Firm* — Millen White Zelano &
Branigan, P.C.

(57) **CLAIM**
The ornamental design for a cap for packaging container, as
shown and described.

DESCRIPTION
FIG. 1 is a top perspective view of a cap for packaging
container showing our new design;
FIG. 2 is a bottom perspective view thereof;
FIG. 3 is a front view thereof; the rear view, right side view
and left side view are the same as the front view;
FIG. 4 is a top plan view thereof;
FIG. 5 is a bottom plan view thereof; and,
FIG. 6 is a sectional view taken in a the direction of line 6-6
on FIG. 4.
The broken lines are shown for the purpose of illustrating
parts of the article that form no part of the claim.

1 Claim, 3 Drawing Sheets



(58) **Field of Classification Search**

CPC 43/02; B65D 51/02; B65D 51/04; B05B
 17/00; B05B 15/002; A45D 34/00; A45D
 34/042; A45D 2040/0006; A45D
 2040/093

See application file for complete search history.

(56) **References Cited**

U.S. PATENT DOCUMENTS

D445,678	S	*	7/2001	Malmborg	D9/434
D445,679	S	*	7/2001	Malmborg	D9/434
D445,681	S	*	7/2001	Kimble	D9/434
D542,133	S	*	5/2007	Haber	D9/453
D547,657	S		7/2007	Tacchella		
D675,096	S	*	1/2013	Obrist	D9/453
D675,526	S	*	2/2013	Obrist	D9/453
D679,597	S	*	4/2013	Tamarindo	D9/443
D681,462	S	*	5/2013	Taylor	D9/453
D684,055	S	*	6/2013	Kwon	D9/452
D684,057	S	*	6/2013	Kwon	D9/453

D684,058	S	*	6/2013	Kwon	D9/453
8,528,757	B2		9/2013	Bisio		
D693,220	S	*	11/2013	Luo	D9/439
D705,061	S	*	5/2014	Jo	D9/435
D705,062	S	*	5/2014	Jo	D9/435
D712,266	S	*	9/2014	Romer	D9/454
D712,743	S		9/2014	Neputy et al.		
D712,744	S		9/2014	Neputy et al.		
D735,038	S	*	7/2015	Tamarindo	D9/454
D752,979	S	*	4/2016	Schulz	D9/454
2009/0223963	A1		9/2009	Bisio		
2012/0211460	A1		8/2012	Tamarindo		
2014/0048536	A1		2/2014	Bisio		

OTHER PUBLICATIONS

Sinchies Choke Proof Lides: Announced Apr. 12, 2015 [online], site visited [Jun. 22, 2016]. Available from Internet URL: <http://moowoo.com.au/shop/sinchies-choke-proof-lids-x-4>.*

* cited by examiner

FIG. 1

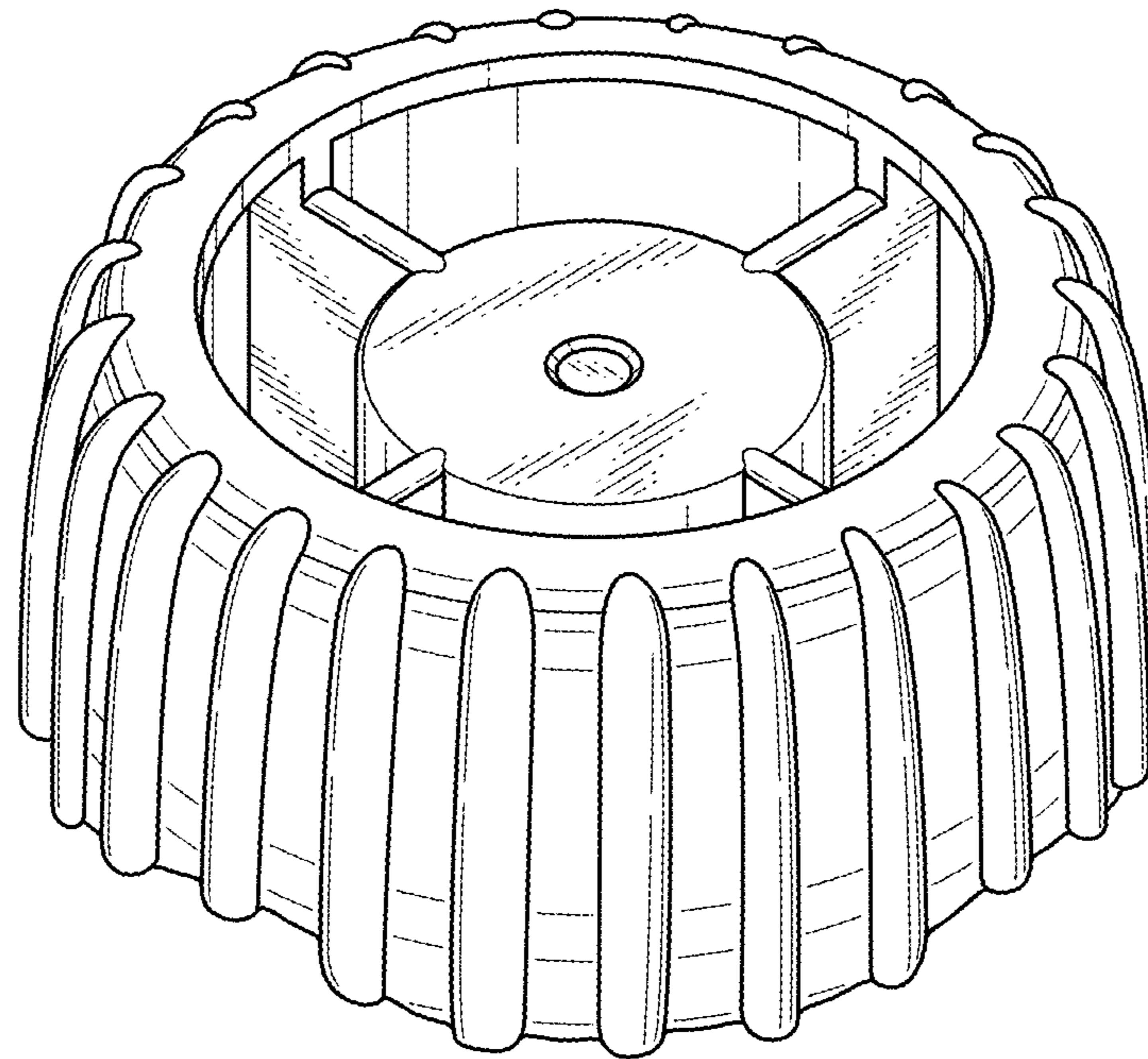


FIG. 2

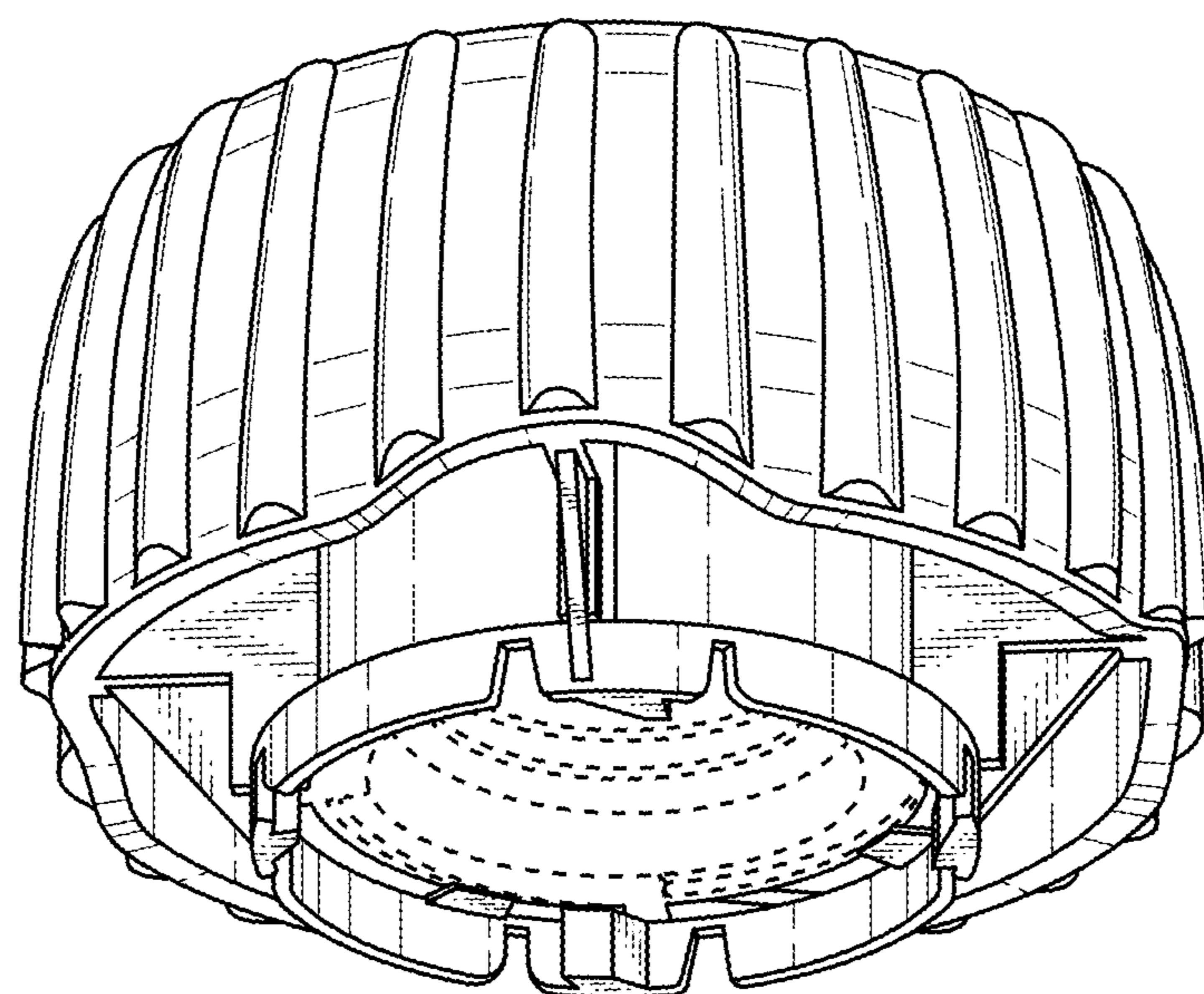


FIG. 3

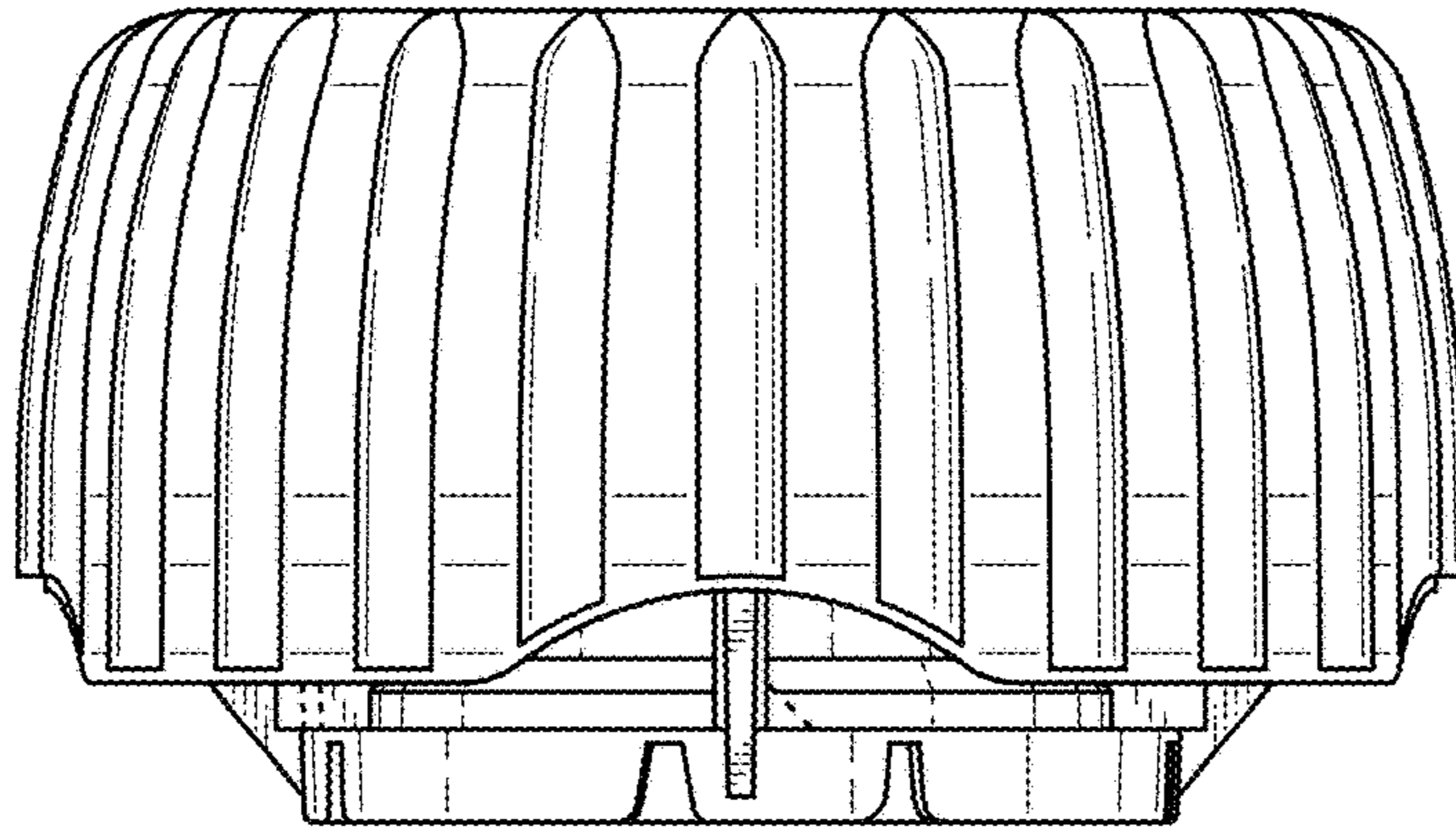


FIG. 4

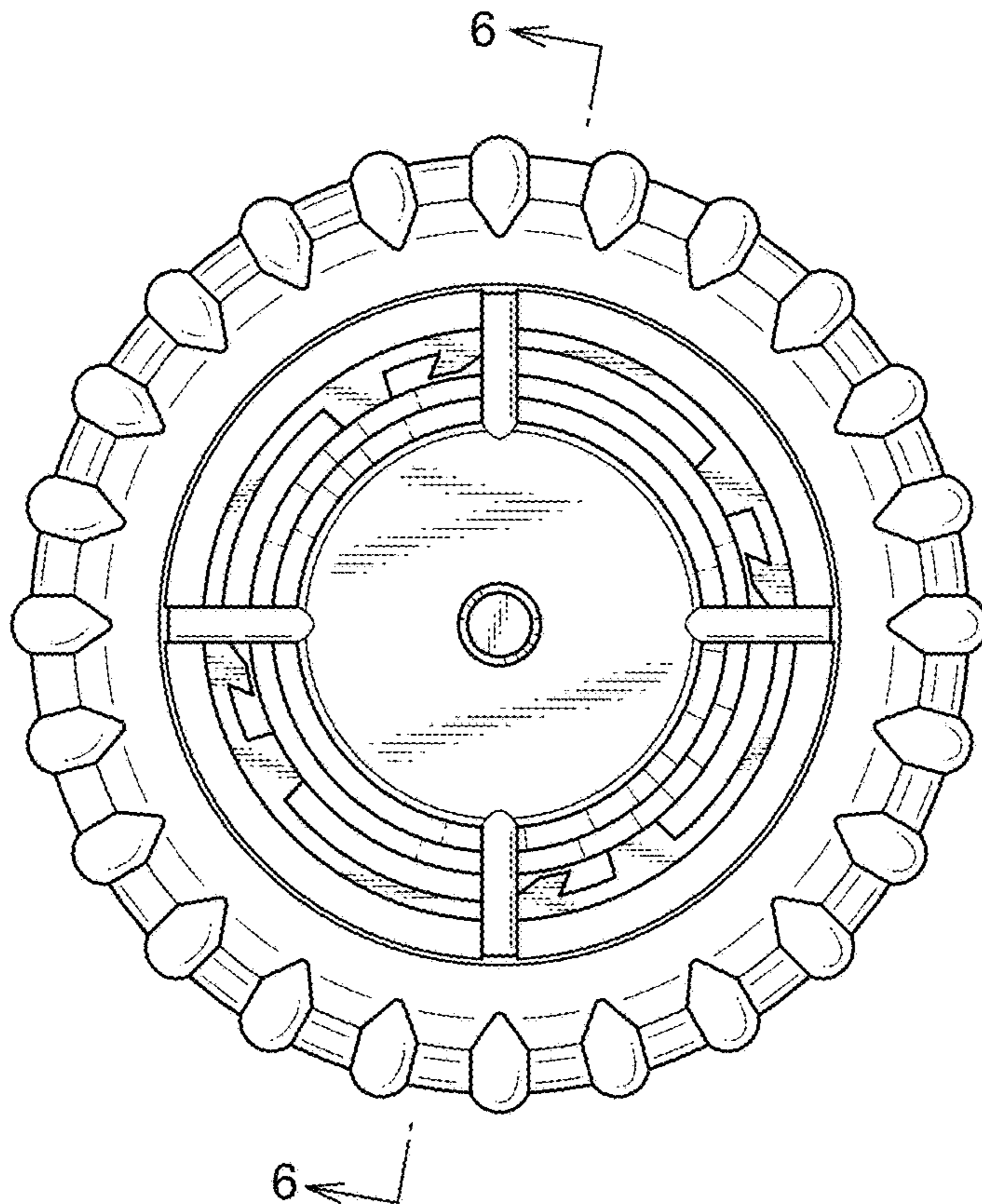


FIG. 5

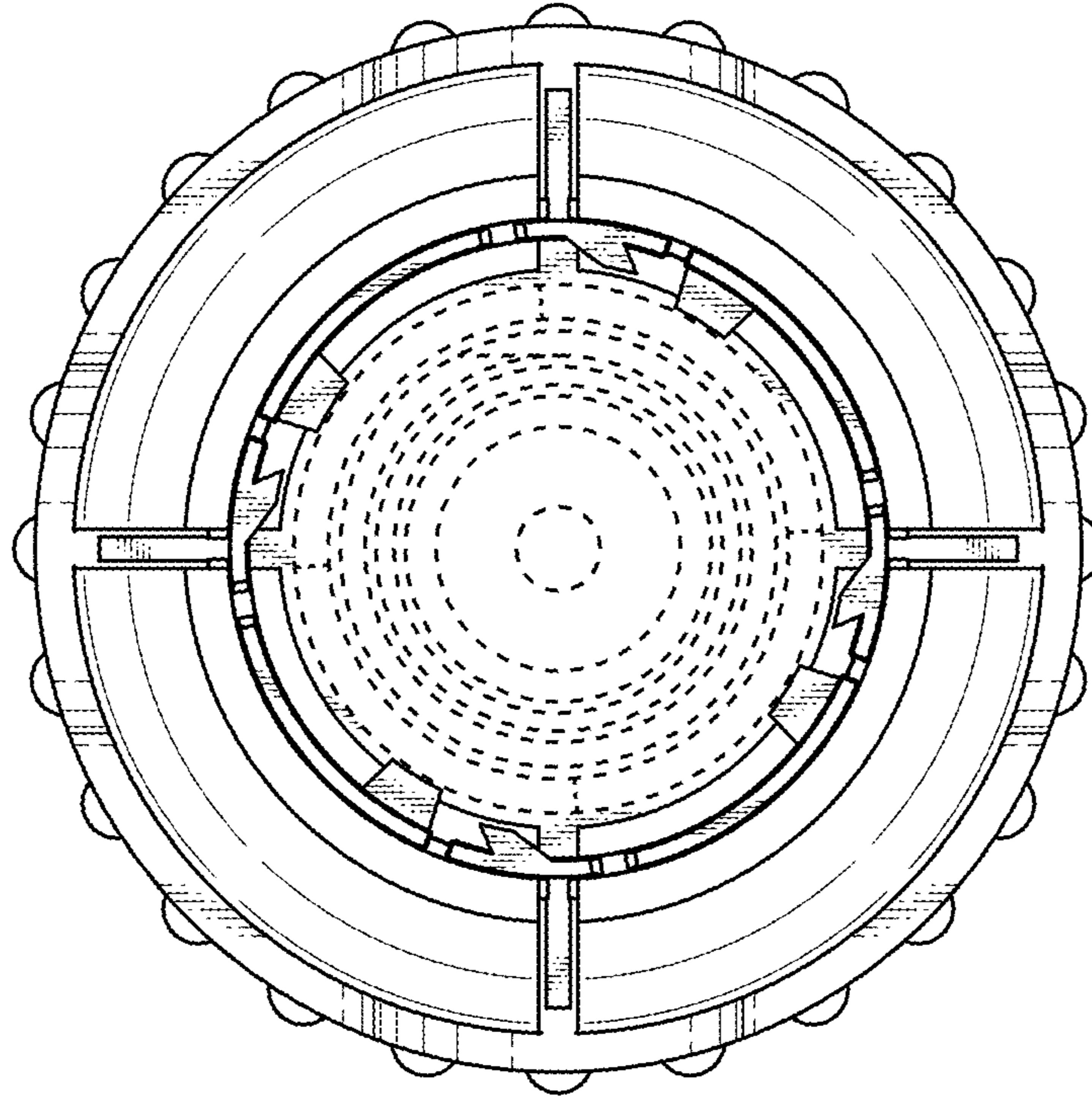


FIG. 6

