



US00D796325S

(12) **United States Design Patent** (10) **Patent No.:** **US D796,325 S**
Miller (45) **Date of Patent:** **** Sep. 5, 2017**

(54) **CAP FOR A BOTTLE**
(71) Applicant: **IGNITE USA, LLC**, Chicago, IL (US)
(72) Inventor: **Blair Miller**, Chicago, IL (US)
(73) Assignee: **IGNITE USA, LLC**, Chicago, IL (US)
(**) Term: **15 Years**

(21) Appl. No.: **29/535,161**
(22) Filed: **Aug. 4, 2015**
(51) **LOC (10) Cl.** **09-07**
(52) **U.S. Cl.**
USPC **D9/452; D9/434; D9/435; D9/436;**
D9/454

(58) **Field of Classification Search**
USPC D3/202, 203.1, 203.2, 273, 275, 294,
D3/318; D4/116; D7/300, 300.1, 316,
D7/317, 387, 391, 392.1, 393, 396.2, 398,
D7/509, 510, 511, 523-531, 538, 541,
D7/549, 703, 900; D9/434, 435, 436,
D9/438, 439, 440, 443, 446-450, 452,
D9/453, 454, 502, 503, 504, 516, 517,
D9/529; D10/123, 126; D8/349, 350,
D8/352; D19/70, 71, 115, 162, 163, 165,
D19/192, 194; D24/121, 127, 197, 224;
D26/36, 123, 124; D28/7, 76, 78, 82, 85,
D28/91; D34/7, 10, 11, 39; 206/503,
206/504, 534, 459.1, 509, 549, 501, 545;
215/201, 205, 206, 209, 211, 216, 217,
215/218, 222, 228, 230, 232, 236, 252,
215/270, 295, 341, 344, 350, 381-385;
220/212.5, 236, 293, 294, 300, 324, 326,
220/253, 254.3, 288, 574, 575, 705, 709,
220/713, 714, 915; 222/212, 213, 215,
222/239.4, 259.3, 288, 490, 548, 793,
222/903; D13/118, 133, 154, 158, 183,
D13/703

(Continued)

(56) **References Cited**
U.S. PATENT DOCUMENTS
2,880,899 A * 4/1959 Bramming A47J 41/02
215/12.1
4,565,293 A * 1/1986 Jonas B65D 41/3466
215/246
(Continued)

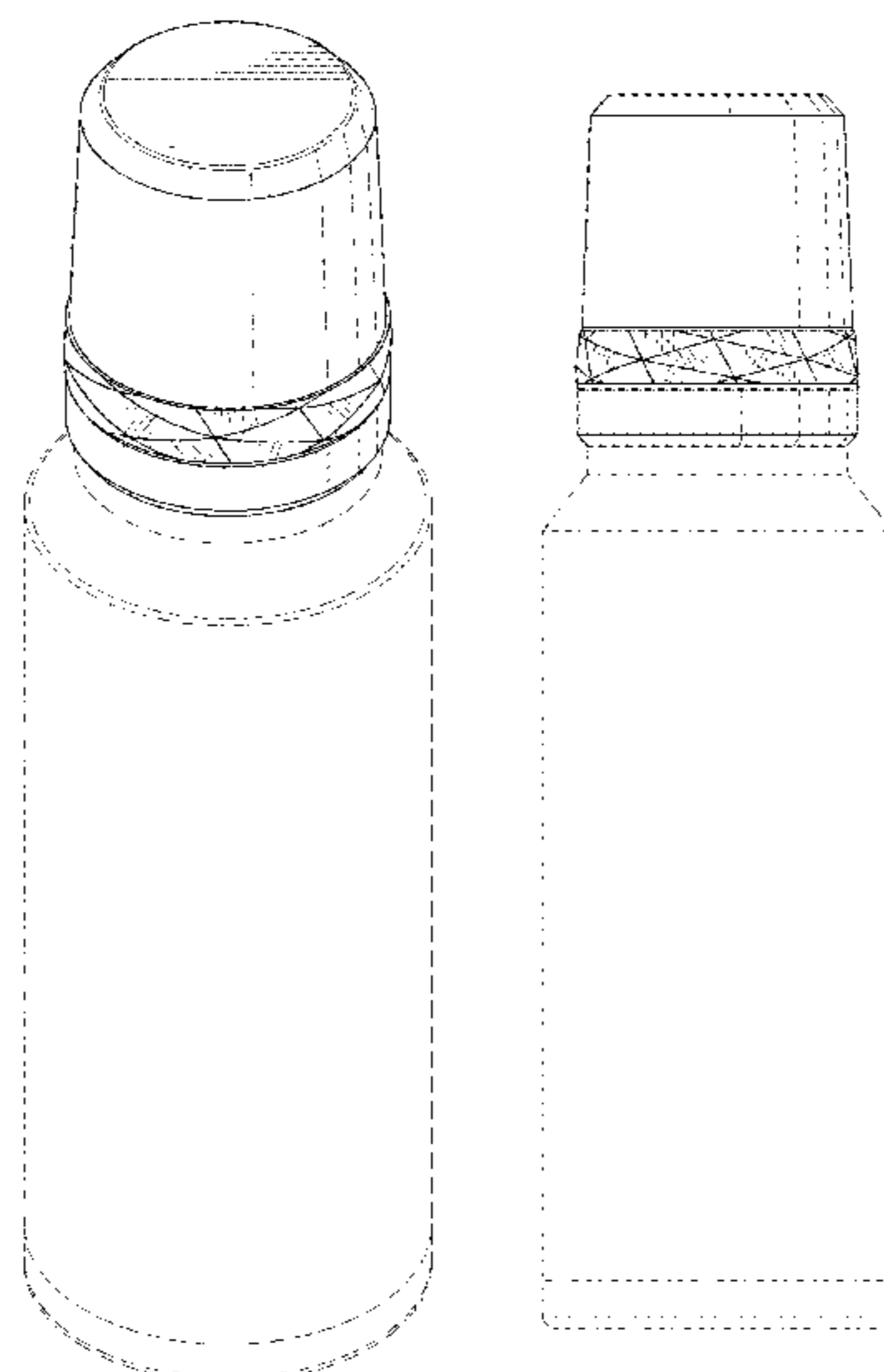
OTHER PUBLICATIONS
Thermos® Brand, Vacuum Insulated, 16 oz., Stainless Steel Com-
pact Beverage Bottle. Retrieved from the Internet on Mar. 24, 2016:
<<<http://www.thermos.com/products/vacuum-insulated-16-oz-stainless-steel-compact-beverage-bottle.aspx>>>.
(Continued)

Primary Examiner — Thomas Johannes
Assistant Examiner — Catherine Posthauer
(74) *Attorney, Agent, or Firm* — Marshall, Gerstein &
Borun LLP

(57) **CLAIM**
The ornamental design for a cap for a bottle, as shown and
described.

DESCRIPTION
FIG. 1 is a top perspective view of a cap for a bottle showing
our new design;
FIG. 2 is a bottom perspective view thereof;
FIG. 3 is a front view thereof;
FIG. 4 is a right side view thereof;
FIG. 5 is rear view thereof;
FIG. 6 is a left side view thereof;
FIG. 7 is a top view thereof; and,
FIG. 8 is a bottom view thereof.
The broken lines shown in the drawings are included for the
purpose of illustrating environmental structure and form no
part of the claimed design.

1 Claim, 7 Drawing Sheets



(58) **Field of Classification Search**

CPC . B65D 23/00; B65D 1/00; B65D 1/02; B65D 1/0223; B65D 2501/00; B65D 2501/0009; B65D 50/041; A47G 18/22; A47G 18/23
See application file for complete search history.

2013/0336085 A1* 12/2013 Drake A23L 2/385
366/348
2014/0014611 A1* 1/2014 Buehler B65D 50/041
215/217
2016/0069378 A1* 3/2016 Zook B64D 45/02
215/341

(56) **References Cited**

U.S. PATENT DOCUMENTS

4,667,836 A * 5/1987 McLaren B65D 41/341
215/216
D409,451 S * 5/1999 Kato D7/608
6,321,924 B1 * 11/2001 Yurkewicz B65D 41/32
215/251
D481,801 S * 11/2003 Whitley D24/224
D486,270 S * 2/2004 Kurumada D28/76
D540,625 S * 4/2007 Sandberg D7/608
D553,914 S * 10/2007 Wahl D7/608
D557,994 S * 12/2007 Wahl D7/608
D619,004 S * 7/2010 Fallat, II D9/454
D620,358 S * 7/2010 Jewett D9/439
D648,984 S * 11/2011 Gullickson D7/510
D655,134 S * 3/2012 Gilbert D7/510
8,387,786 B2 * 3/2013 Fontana 206/219
8,701,906 B1 * 4/2014 Anderson B65D 41/20
206/220
D759,487 S * 6/2016 Jayakaran D9/453
2003/0155323 A1 * 8/2003 Ekkert B65D 51/1622
215/344
2012/0305559 A1 * 12/2012 Steininger B65D 47/065
220/253
2013/0306642 A1 * 11/2013 Dabah B65D 51/28
220/521

OTHER PUBLICATIONS

Thermos® Brand, Vacuum Insulated Compact Bottle with Black Lid. Retrieved from the Internet on Mar. 24, 2016: <<<http://www.thermos.com/products/vacuum-insulated-compact-bottle-with-black-lid.aspx>>>.
Thermos® Brand, Vacuum Insulated 16 oz. Stainless King Beverage Bottle. Retrieved from the Internet on Mar. 24, 2016: <<<http://www.thermos.com/products/vacuum-insulated-16-oz-stainless-king-beverage-bottle.aspx>>>.
Thermos® Brand, Blue 35 oz. Arc Series Beverage Bottle. Retrieved from the Internet on Mar. 24, 2016: <<<http://www.thermos.com/products/blue-35-oz-arc-series-beverage-bottle.aspx>>>.
Stanley®, A Brand of PMI, Classic Original Vacuum Bottle 1.1 Qt. Retrieved from the Internet on Mar. 24, 2016: <<<http://www.shopstanley-pmi.com/product/classic-vacuum-bottle-11qt-ham-mertone-green>>>.
Thermos® Brand, Beverage Bottles. Retrieved from the Internet on Mar. 24, 2016: <<http://www.thermos.com/product_catalog.aspx?CatCode=BEVG>>.
Thermos® Brand, Floating Beverage Bottle. <<<http://www.thermos.com/products/floating-beverage-bottle.aspx>>>, May 2, 2015, retrieved from the Internet Archive Wayback Machine on May 17, 2016. <<<https://web.archive.org/web/20150502204500/http://www.thermos.com/products/floating-beverage-bottle.aspx>>>.

* cited by examiner

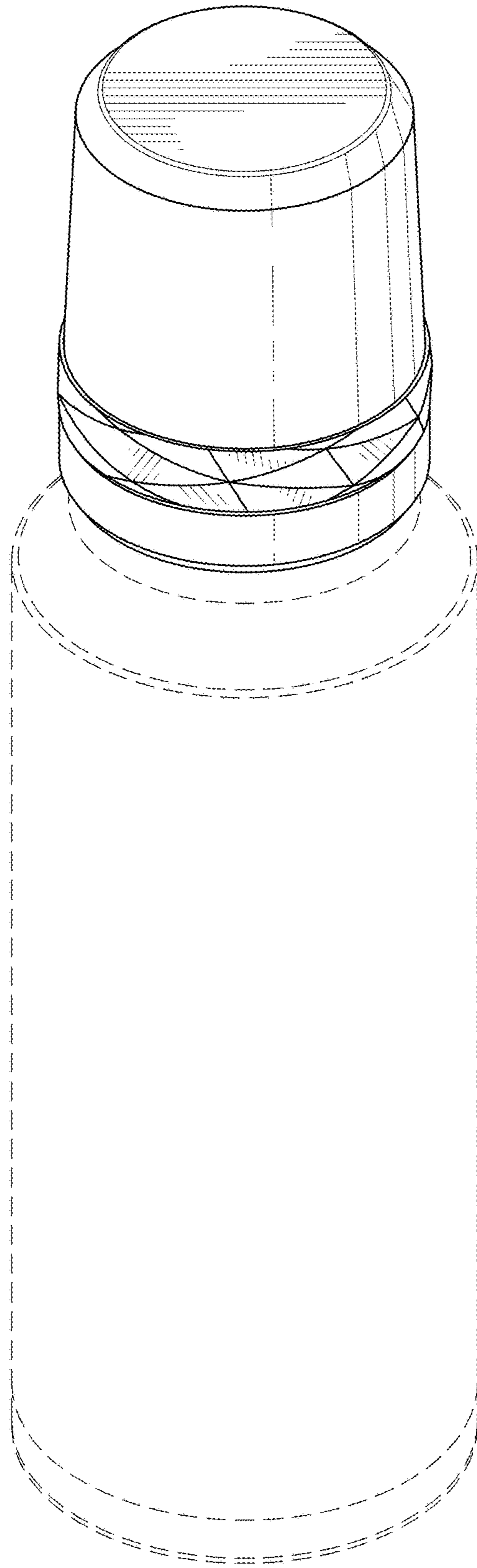


FIG. 1

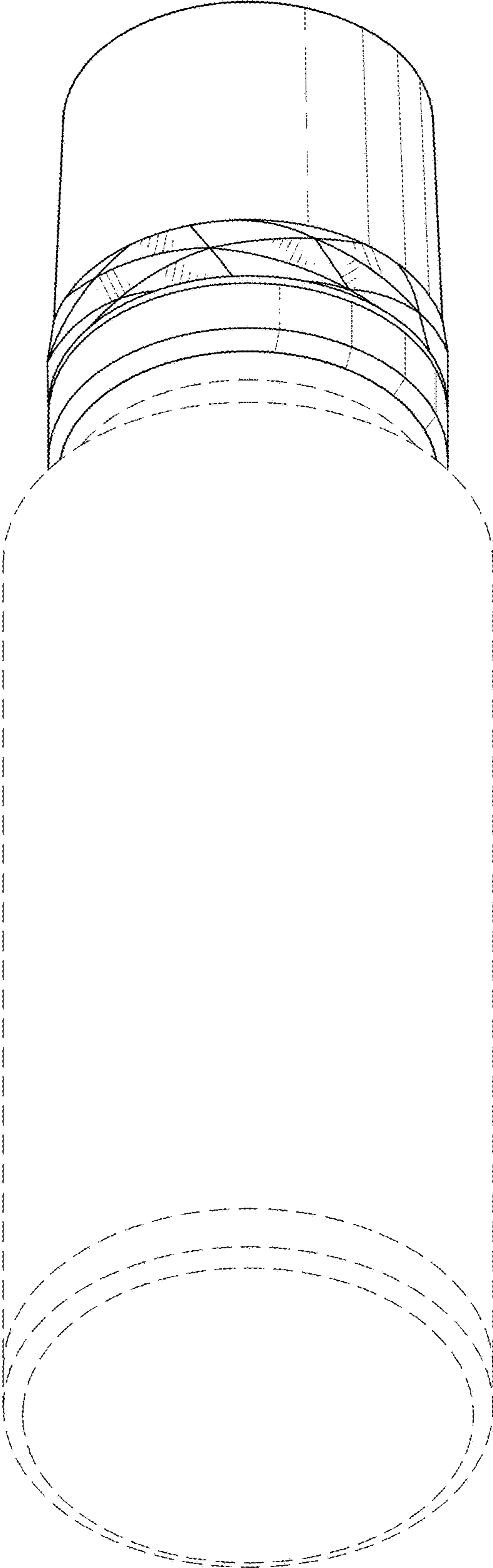


FIG. 2

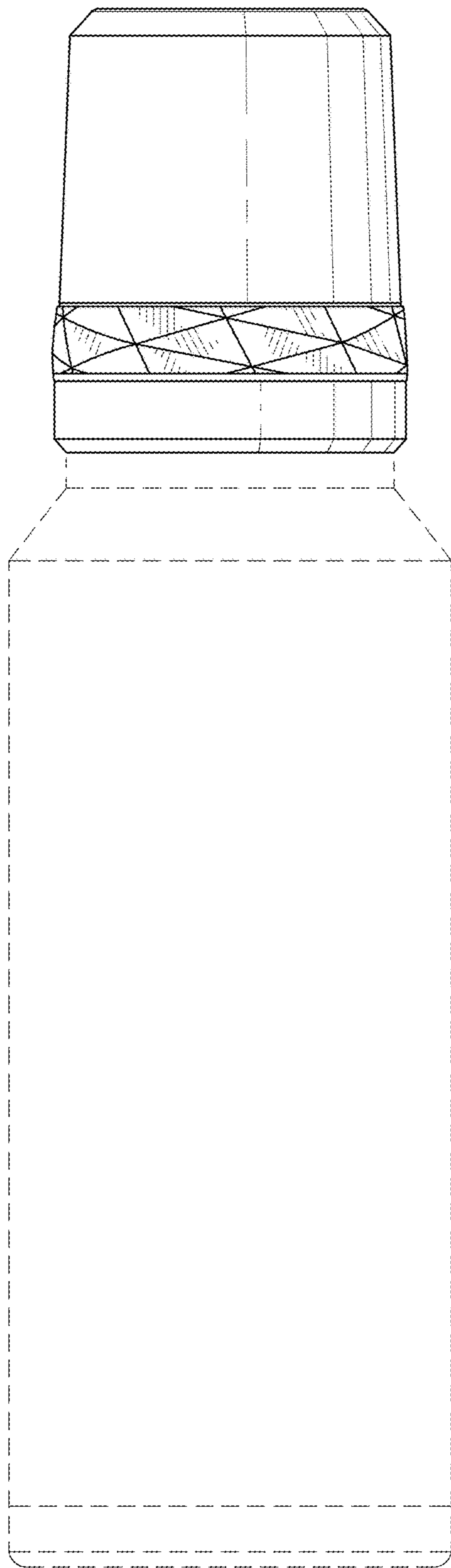


FIG. 3

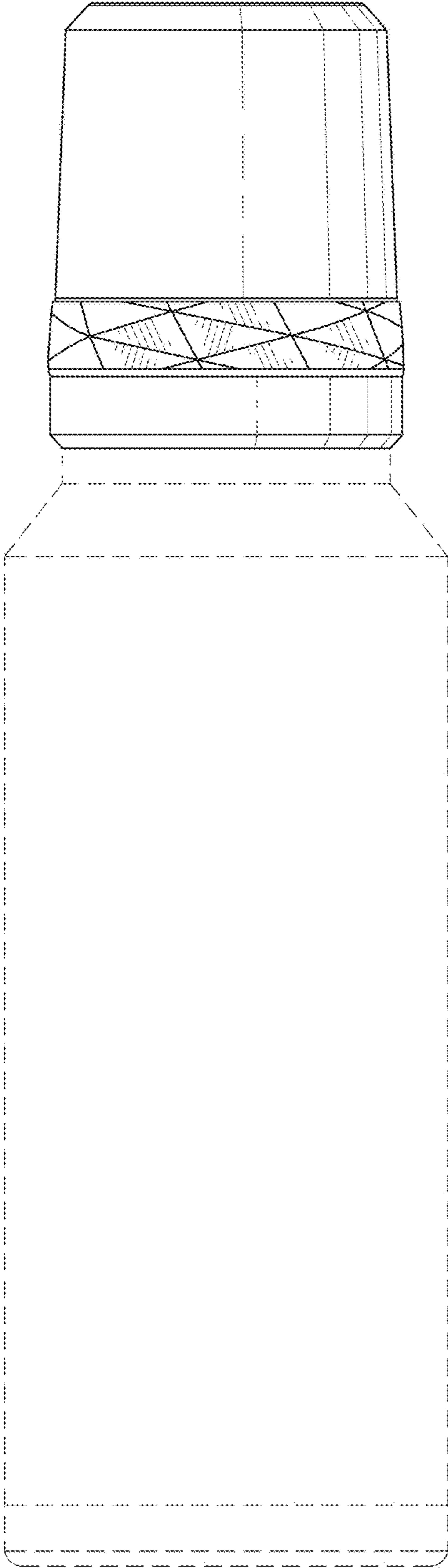


FIG. 4

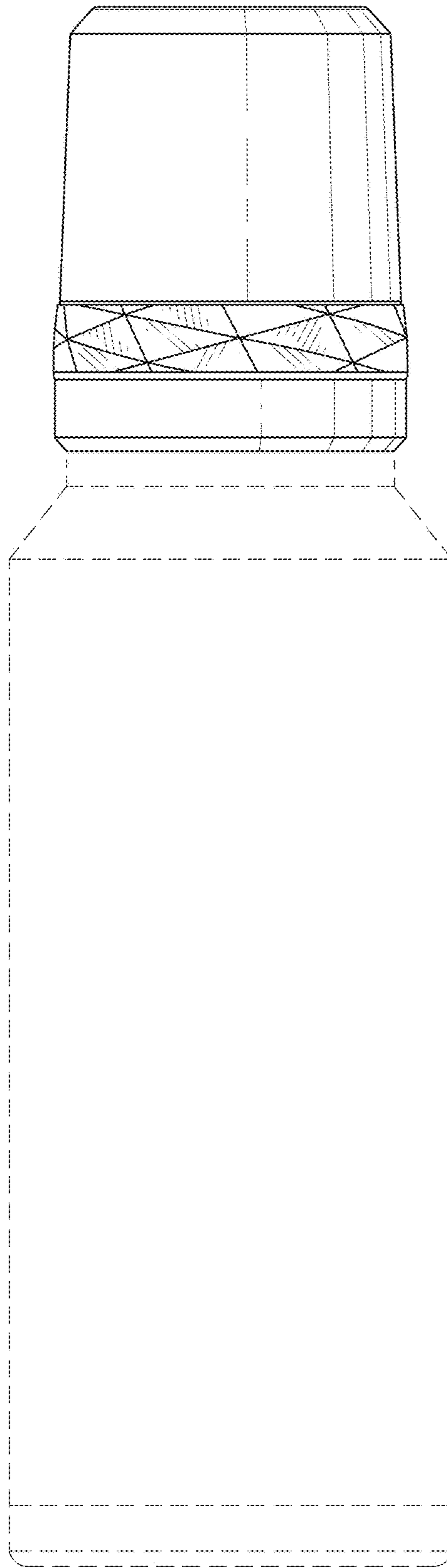


FIG. 5



FIG. 6

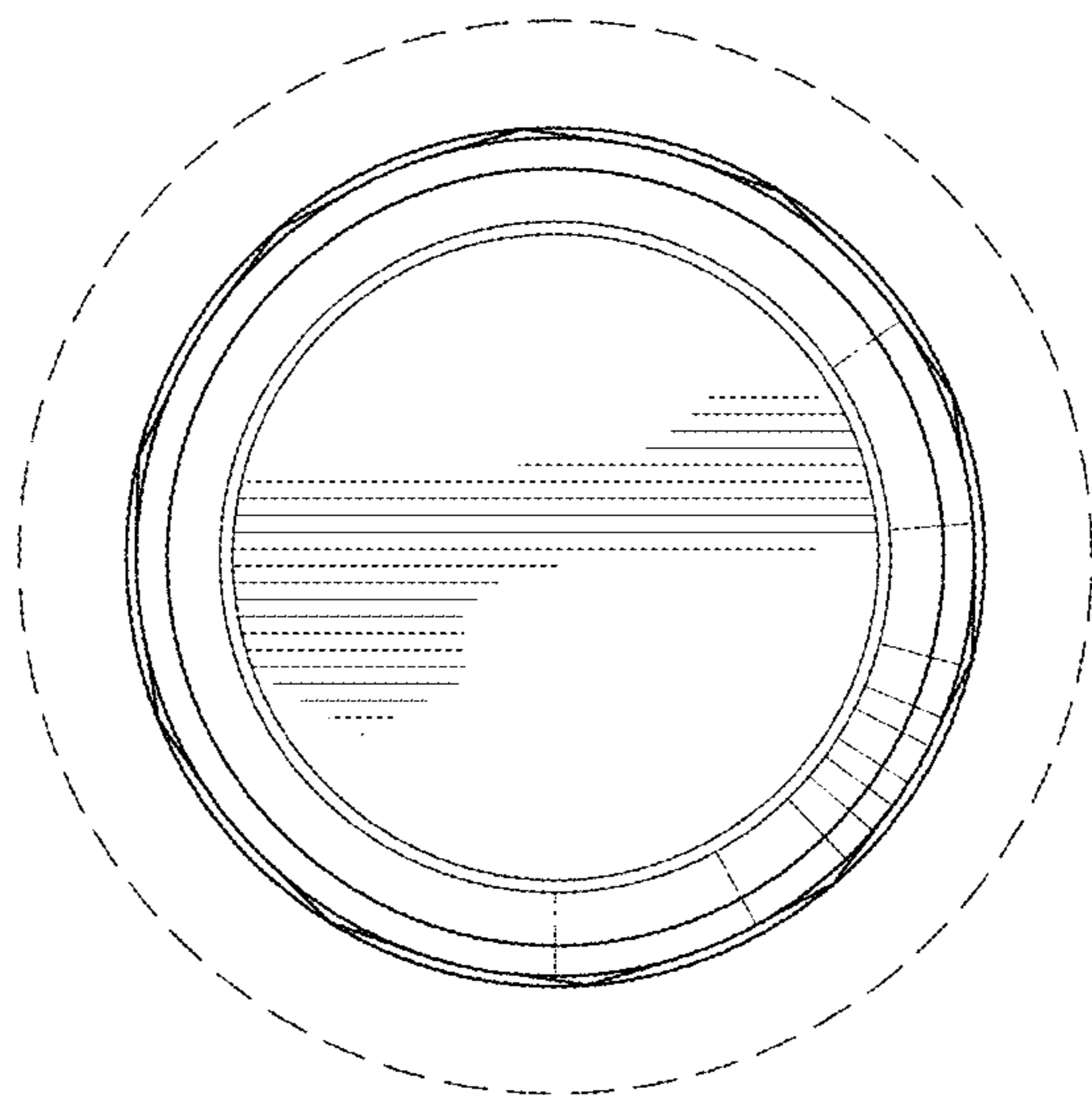


FIG. 7

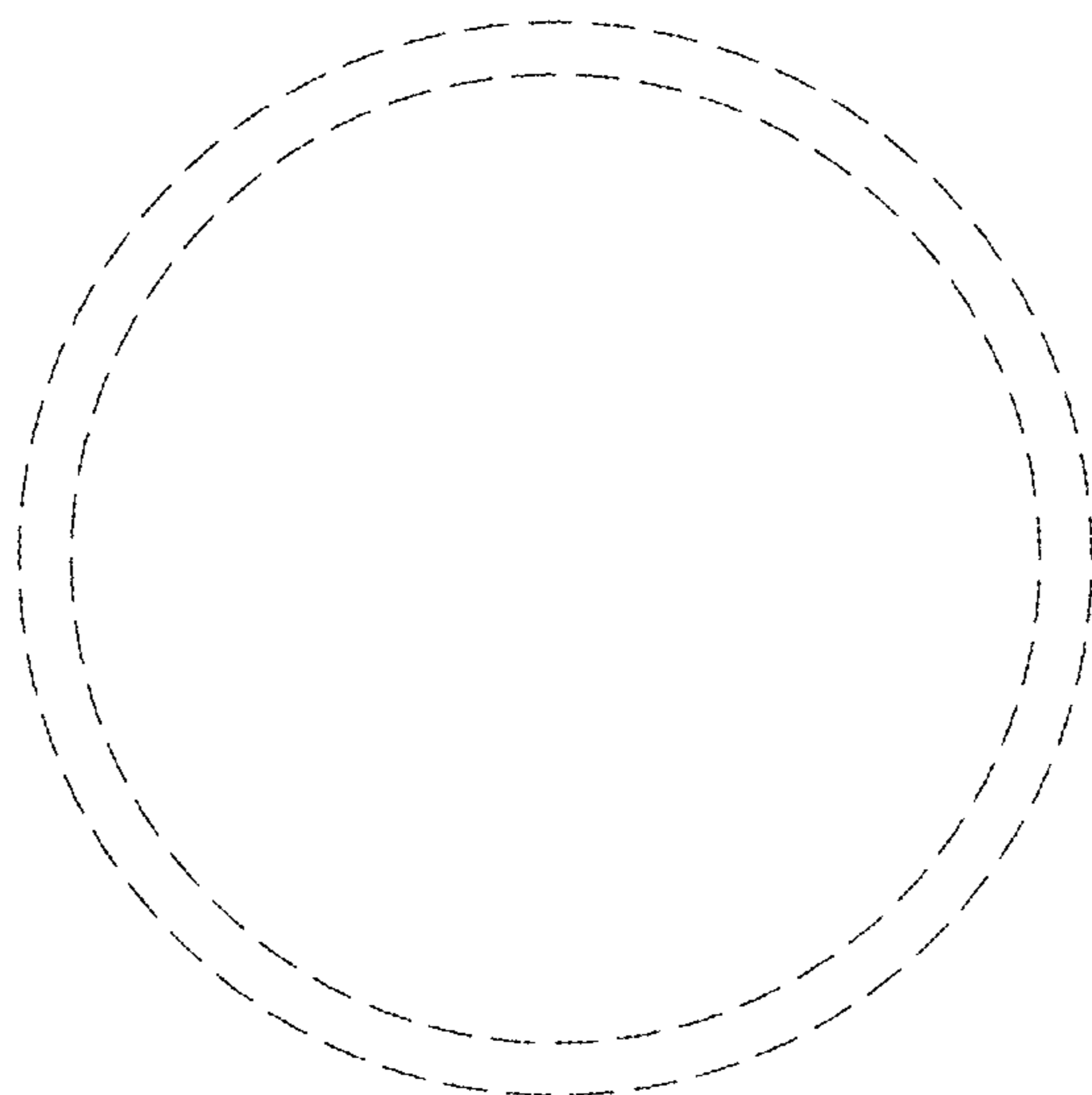


FIG. 8