



US00D796324S

(12) **United States Design Patent** (10) **Patent No.:** **US D796,324 S**
Buck (45) **Date of Patent:** **** Sep. 5, 2017**

(54) **BEVERAGE LID WITH FOOD CONTAINER**

(71) Applicant: **Ronald Mark Buck**, Encinitas, CA (US)

(72) Inventor: **Ronald Mark Buck**, Encinitas, CA (US)

(73) Assignee: **Snacktops, Inc.**, Carlsbad, CA (US)

(**) Term: **15 Years**

(21) Appl. No.: **29/577,530**

(22) Filed: **Sep. 13, 2016**

(51) **LOC (10) Cl.** **09-07**

(52) **U.S. Cl.**
USPC **D9/449**

(58) **Field of Classification Search**
USPC D9/414, 417, 428, 432, 434, 435, D9/443-450, 452-456, 499, 682-685; D7/387, 392, 392.1, 393, 396, D7/396.1-396.4, 398, 401.1, 507, D7/509-511, 538, 900; D3/202, 294, D3/318; D28/91.1; D6/580, 699, 699.4, D6/702; D8/349, 354, 382, 107, 300, D8/321, 322
CPC .. A61J 1/00; A61J 1/1412; B65D 1/00; B65D 1/02; B65D 1/10; B65D 1/46; B65D 2585/56; B65D 2585/545; B65D 41/00; B65D 41/38; B65D 41/56; B65D 41/62; B65D 47/00; B65D 47/06; B65D 47/08; B65D 2543/00046; B65D 2543/00092; B65D 2543/00296; B65D 5/46; B65D 2251/00

See application file for complete search history.

(56) **References Cited**

U.S. PATENT DOCUMENTS

4,508,235 A * 4/1985 Steele B65D 43/0212 215/307
D285,656 S * 9/1986 Champion D7/511

D289,720 S * 5/1987 Maher D7/396.2
D291,779 S * 9/1987 Inaba D9/445
D313,462 S * 1/1991 Hart D23/225
D416,171 S * 11/1999 Cautereels D7/392

(Continued)

Primary Examiner — Karen S Acker

Assistant Examiner — Wendy Arminio

(74) *Attorney, Agent, or Firm* — Manuel de la Cerra

(57) **CLAIM**

The ornamental design for a beverage lid with food container, as shown and described.

DESCRIPTION

FIG. 1 is a top perspective view of a first embodiment of a beverage lid with food container.

FIG. 2 is an exploded top perspective view thereof showing the manner of assembly of the two parts.

FIG. 3 is an exploded bottom perspective view thereof.

FIG. 4 is an exploded top perspective view of a second embodiment of a beverage lid with food container shown made of transparent material and showing the manner of assembly of the two parts.

FIG. 5 is an exploded bottom perspective view thereof.

FIG. 6 is a top perspective view of the beverage lid with food container of FIG. 1 shown in a position of use attached to an unclaimed beverage container and straw.

FIG. 7 is an exploded top perspective view thereof, showing the manner of assembly with an unclaimed beverage container and straw

FIG. 8 is a top view of both parts of the beverage lid with food container of FIG. 1.

FIG. 9 is a bottom view thereof.

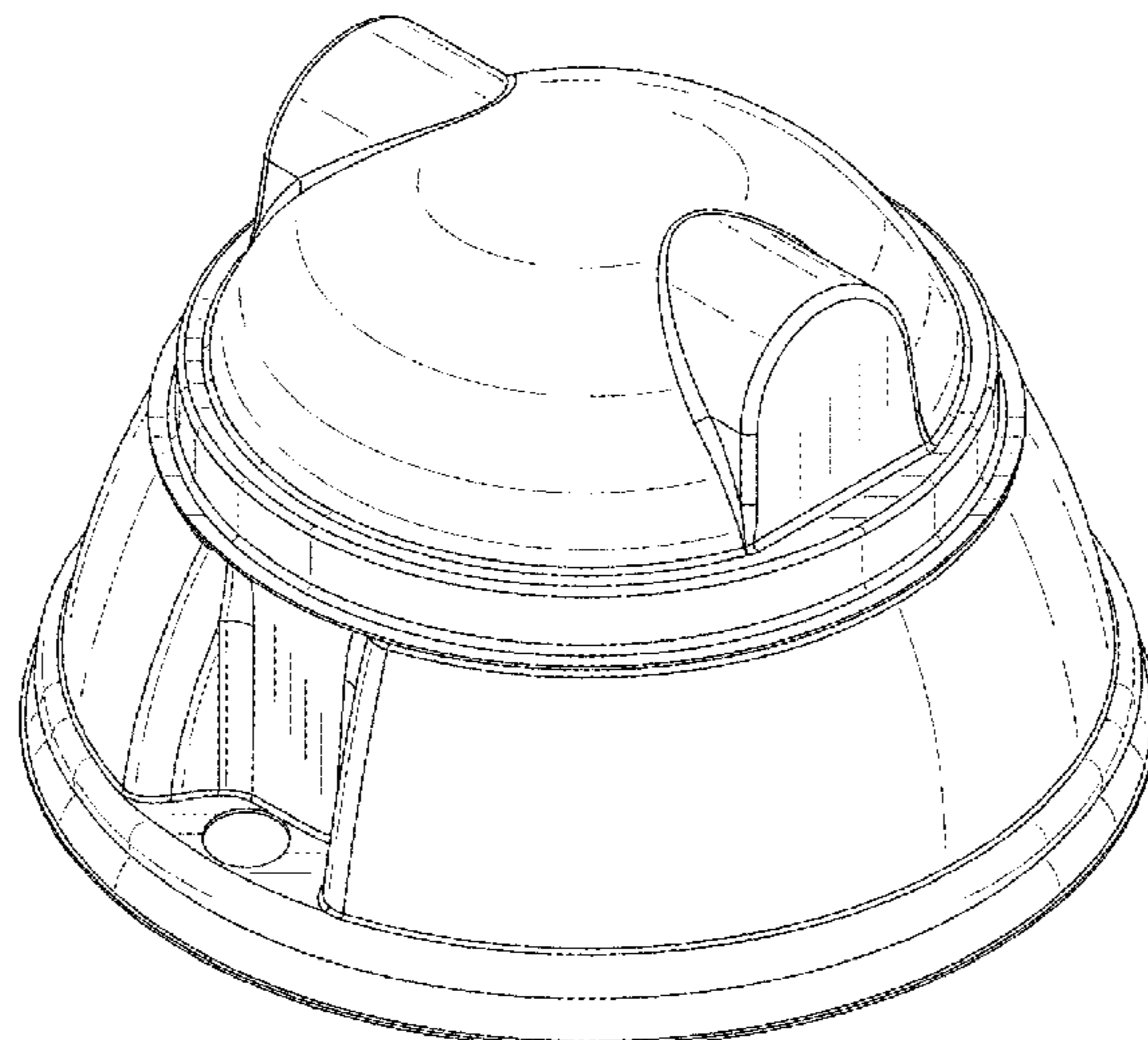
FIG. 10 is a front view thereof.

FIG. 11 is a rear view thereof; and,

FIG. 12 is a left-side view thereof; (the right-side view is a mirror image).

The broken lines in FIGS. 6 and 7 depict environmental subject matter that forms no part of the claimed design.

1 Claim, 11 Drawing Sheets



(56)

References Cited

U.S. PATENT DOCUMENTS

D440,155 S *	4/2001	Schaefer	D7/392.1	D713,722 S *	9/2014	Miller	D9/436
D449,986 S *	11/2001	Schaefer	D9/434	9,078,535 B1 *	7/2015	Buck	A47G 19/2205
6,357,619 B1 *	3/2002	Schaefer	B65D 43/0212	D764,291 S *	8/2016	Lemke	D9/436
				220/709	D775,957 S *	1/2017	Hunt	D7/629
D554,432 S *	11/2007	Roth	D7/510	D776,536 S *	1/2017	Emoff	D9/455
D595,537 S *	7/2009	Mansfield	206/219	D777,032 S *	1/2017	Buck	D9/447
D621,124 S *	8/2010	Biegel	D99/5	D784,072 S *	4/2017	Baron	D7/392.1
D643,285 S *	8/2011	Zomorodi	D9/429	2008/0105681 A1 *	5/2008	Vovan	B65D 21/0222
8,011,205 B2 *	9/2011	Roth	A47J 41/0044					220/288
				62/457.6	2013/0068772 A1 *	3/2013	Durdon	B65D 43/0212
8,070,011 B2 *	12/2011	Fukano	B65D 51/1605					220/521
				220/367.1	2013/0119065 A1 *	5/2013	Buck	A47G 19/2205
D663,203 S *	7/2012	Bodkin	D9/436					220/523
D668,153 S *	10/2012	Mavin	D9/443	2013/0305515 A1 *	11/2013	Miller	B65D 51/24
D693,687 S *	11/2013	Karay	D7/540					29/428
D703,043 S *	4/2014	Kovitz	D9/435	2014/0030390 A1 *	1/2014	Coyle	B65D 43/02
D705,654 S *	5/2014	Wurth	D21/654					426/108
					2016/0009465 A1 *	1/2016	Pan	B65D 51/28
									220/212

* cited by examiner

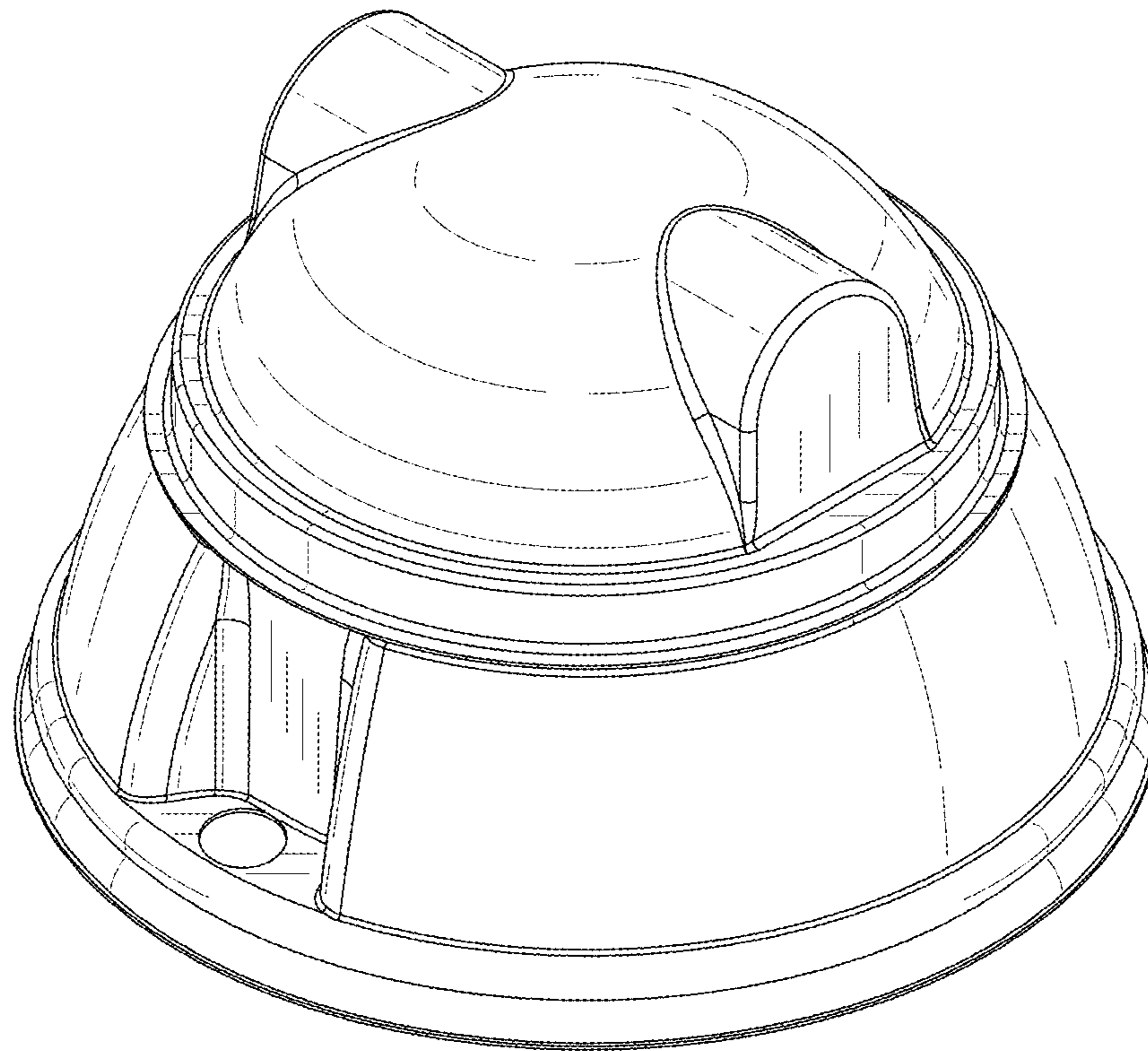


FIG. 1

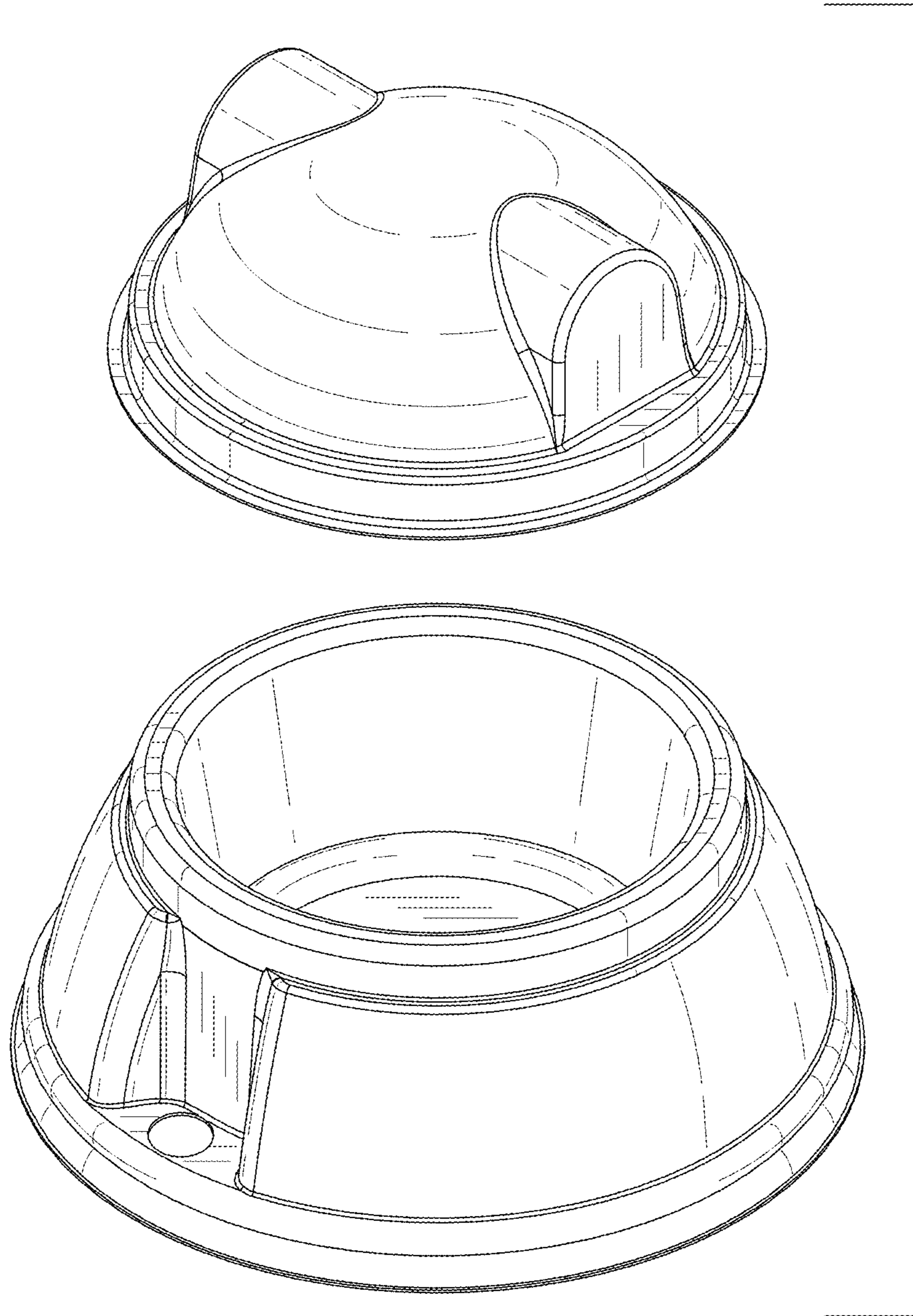


FIG. 2

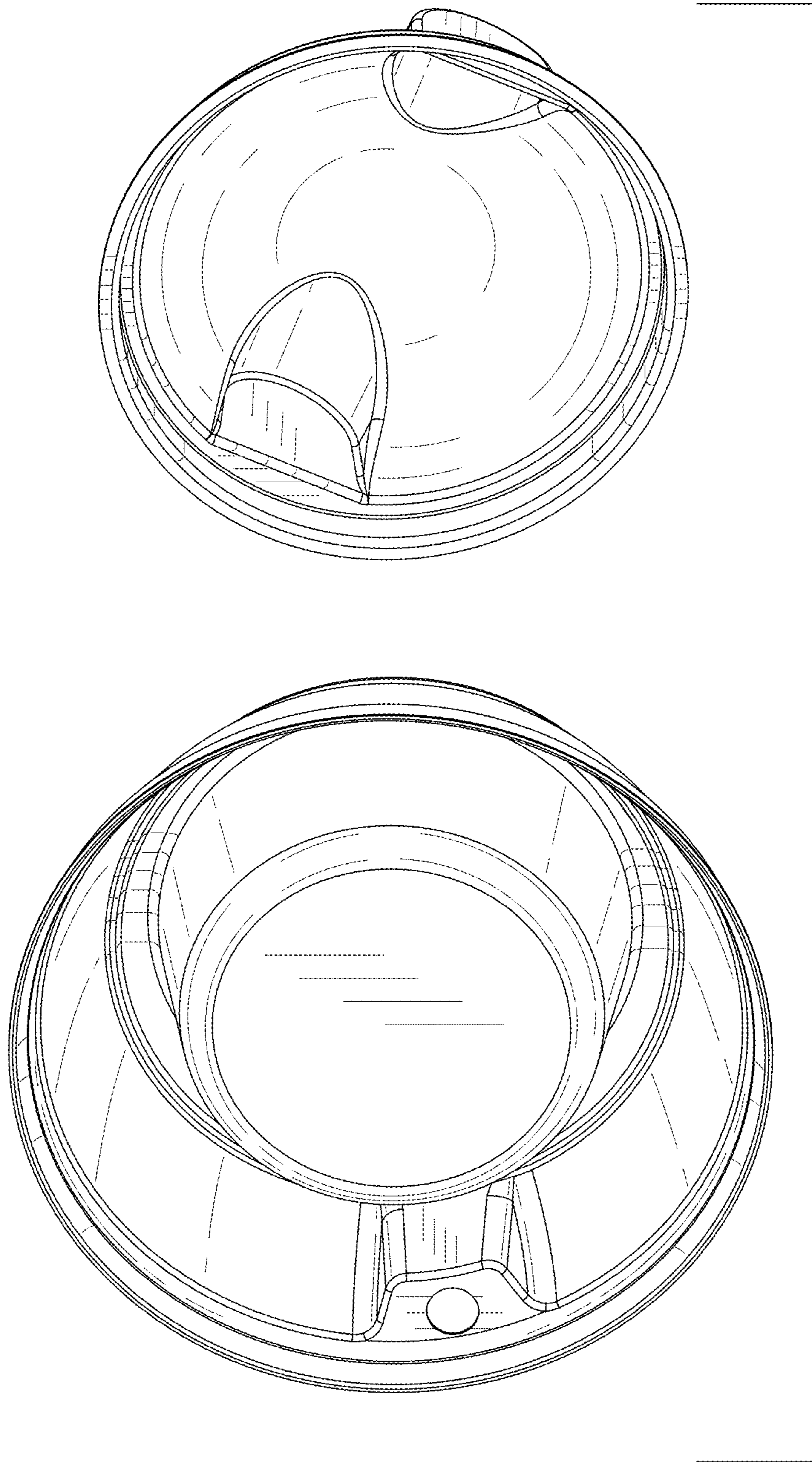


FIG. 3

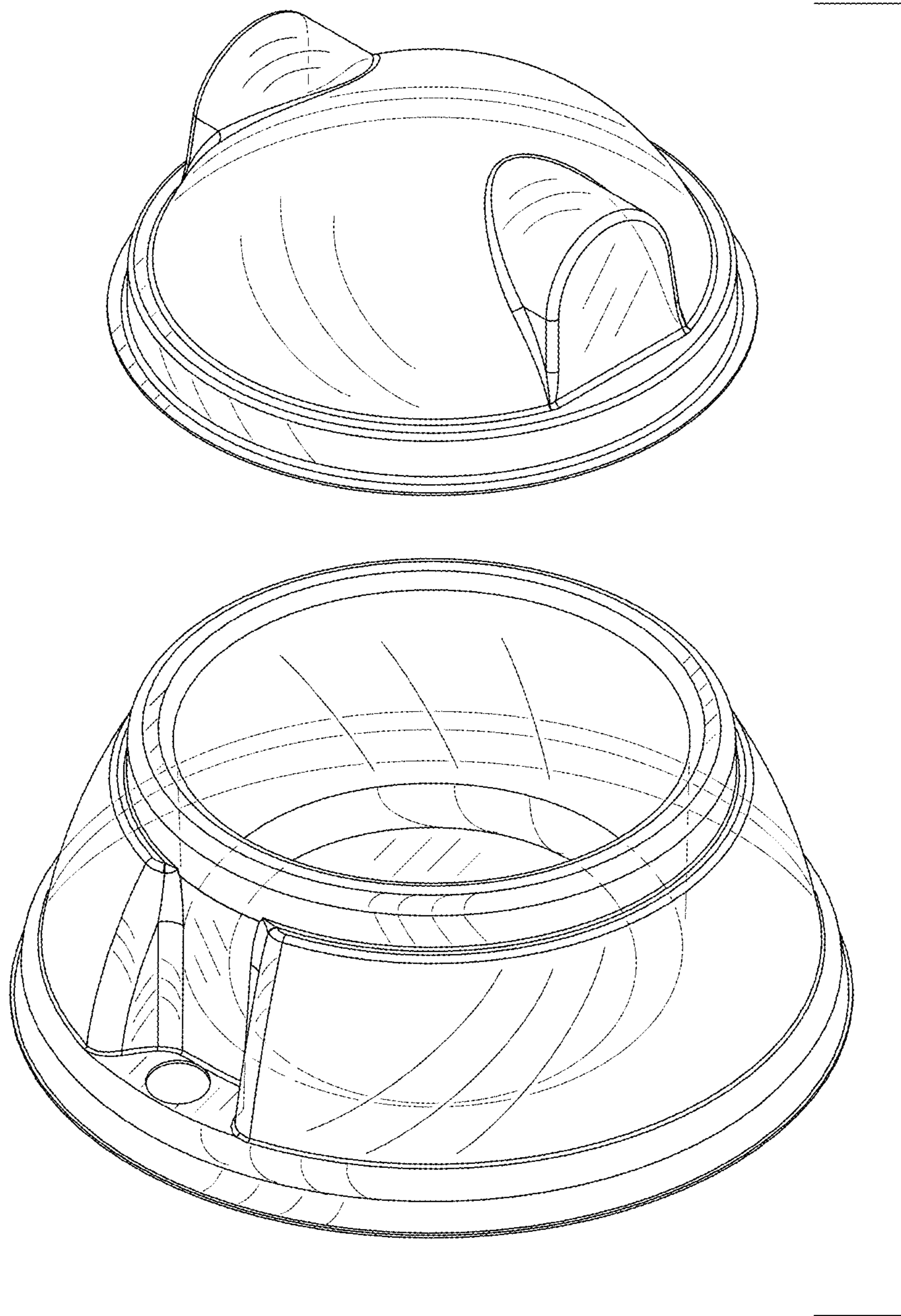


FIG. 4

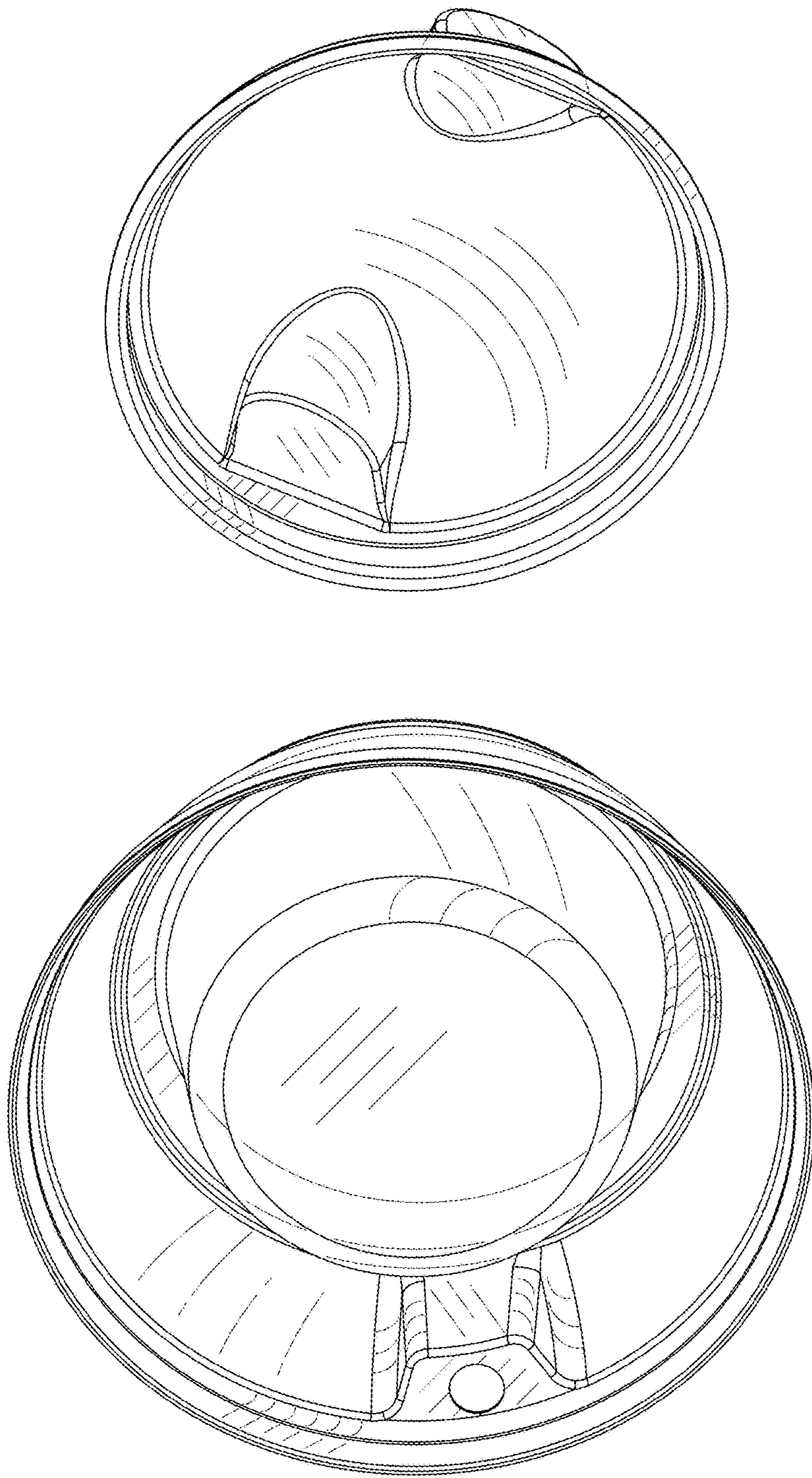


FIG. 5

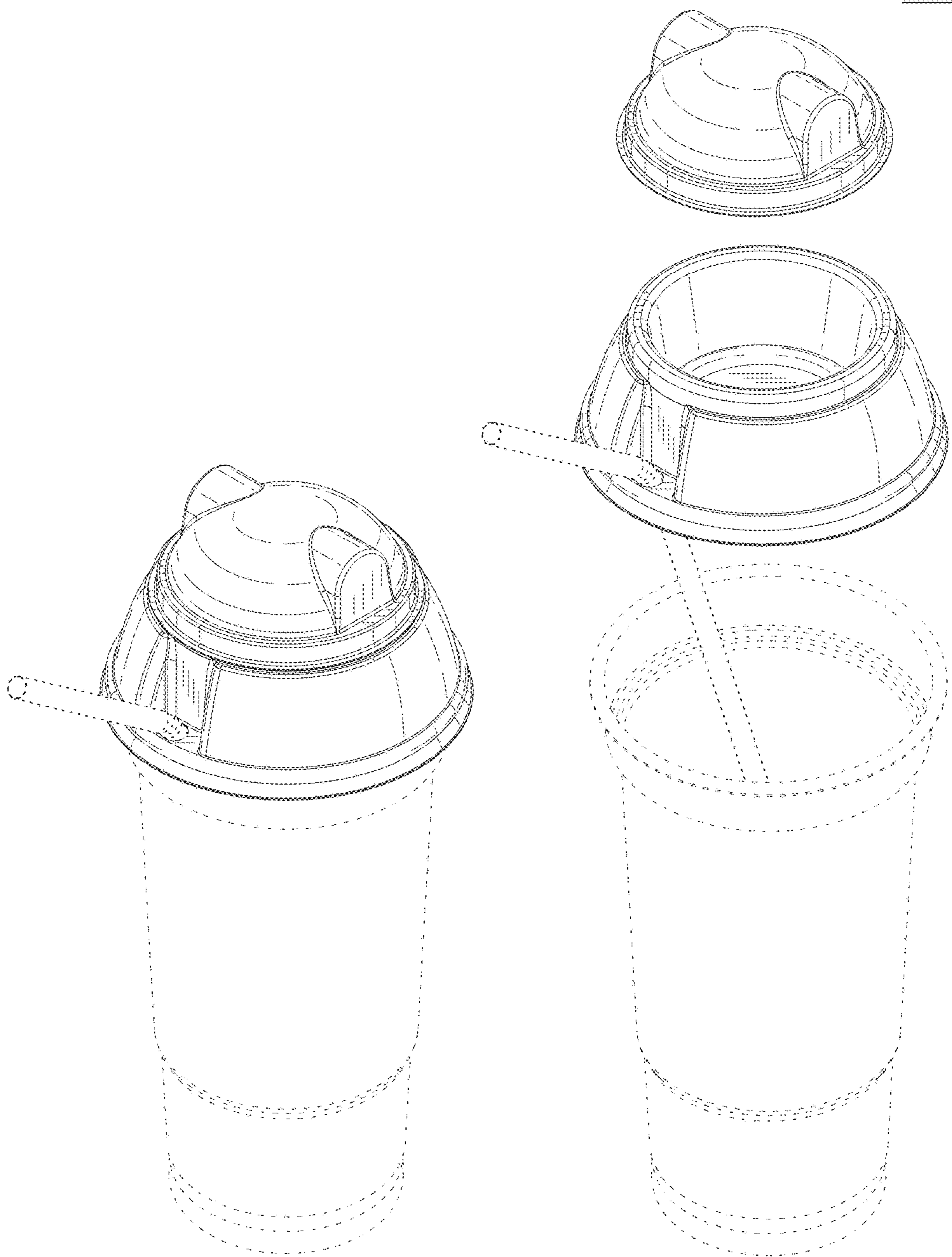


FIG. 6

FIG. 7

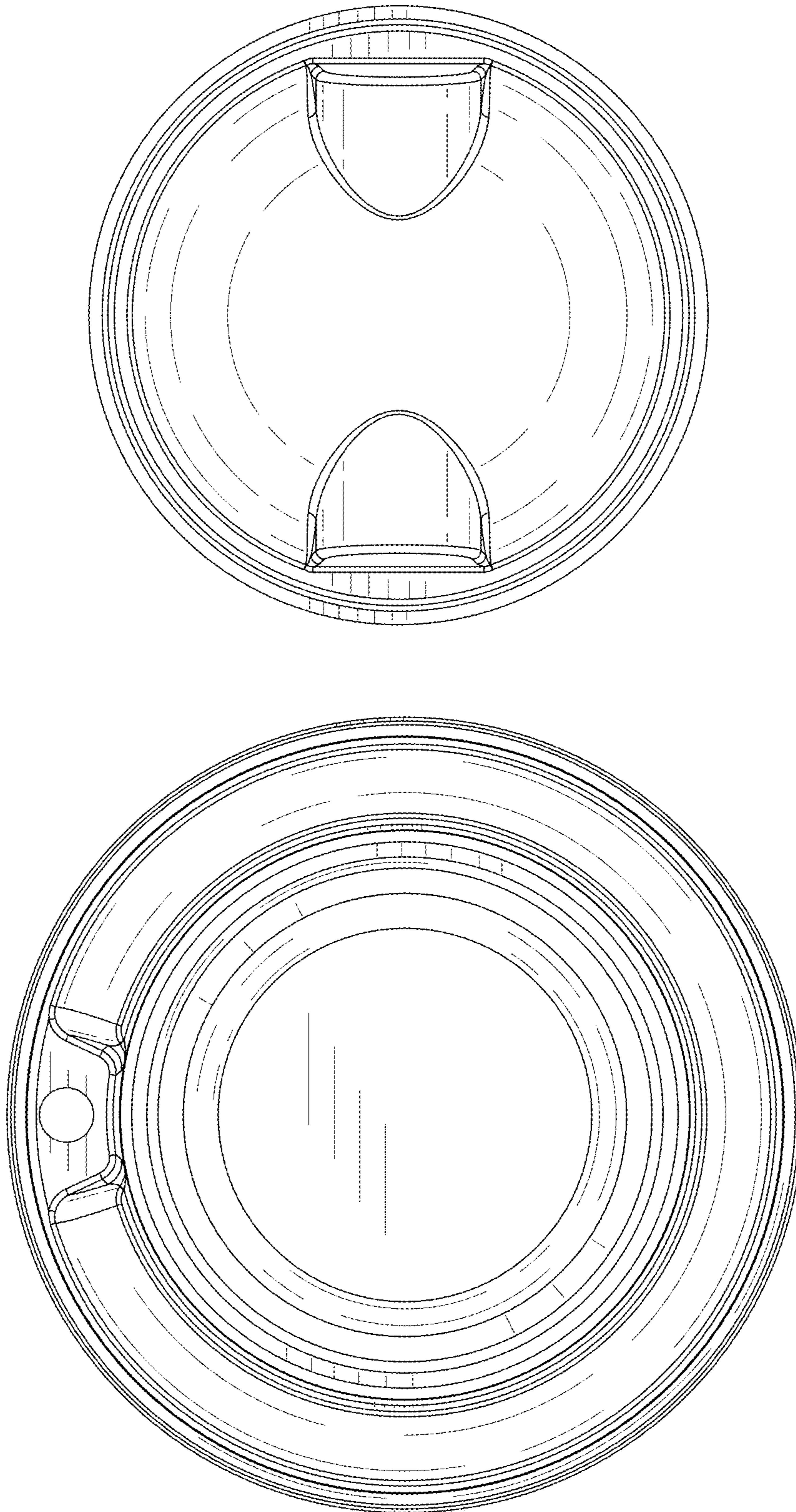


FIG. 8

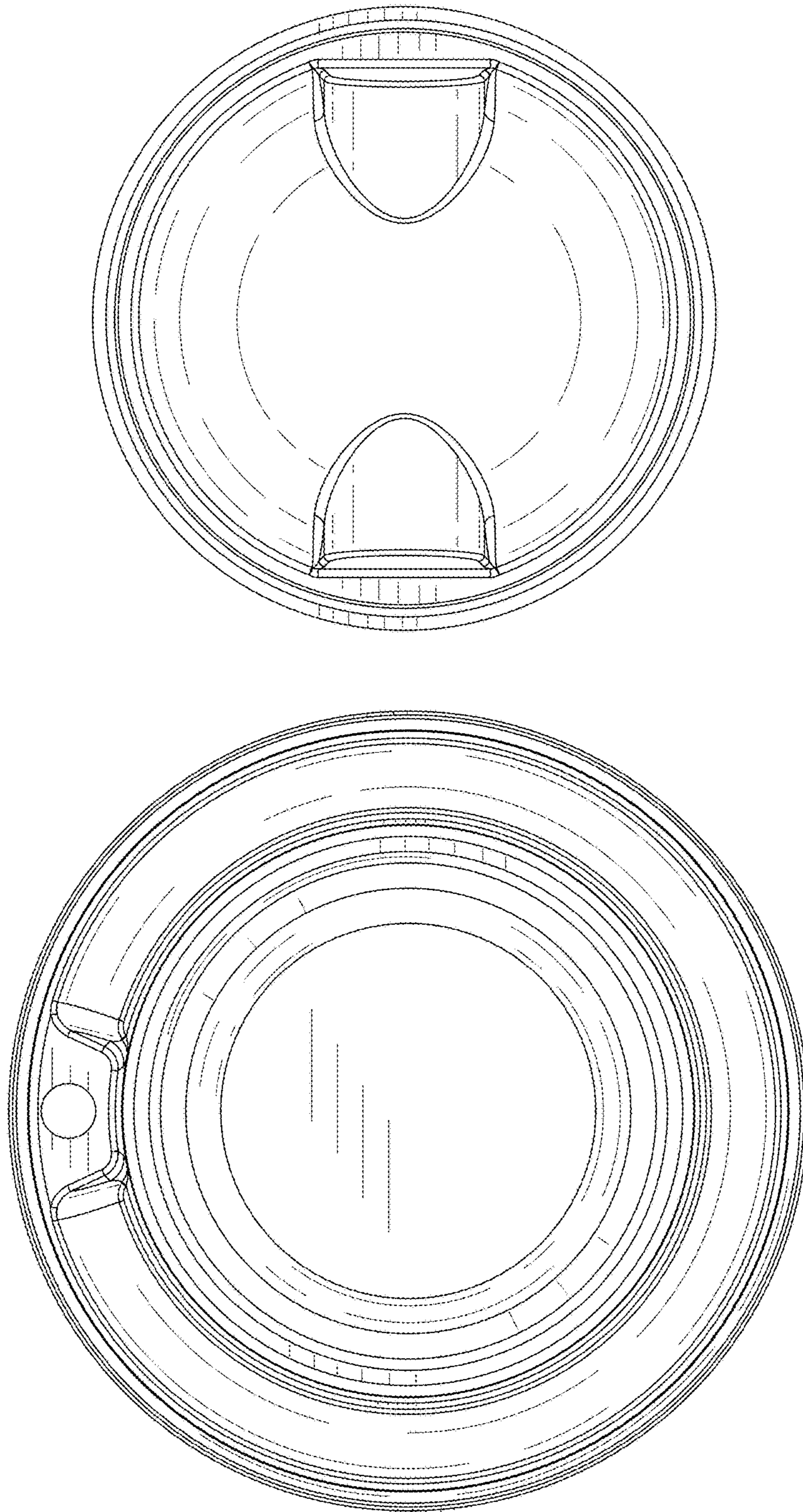


FIG. 9

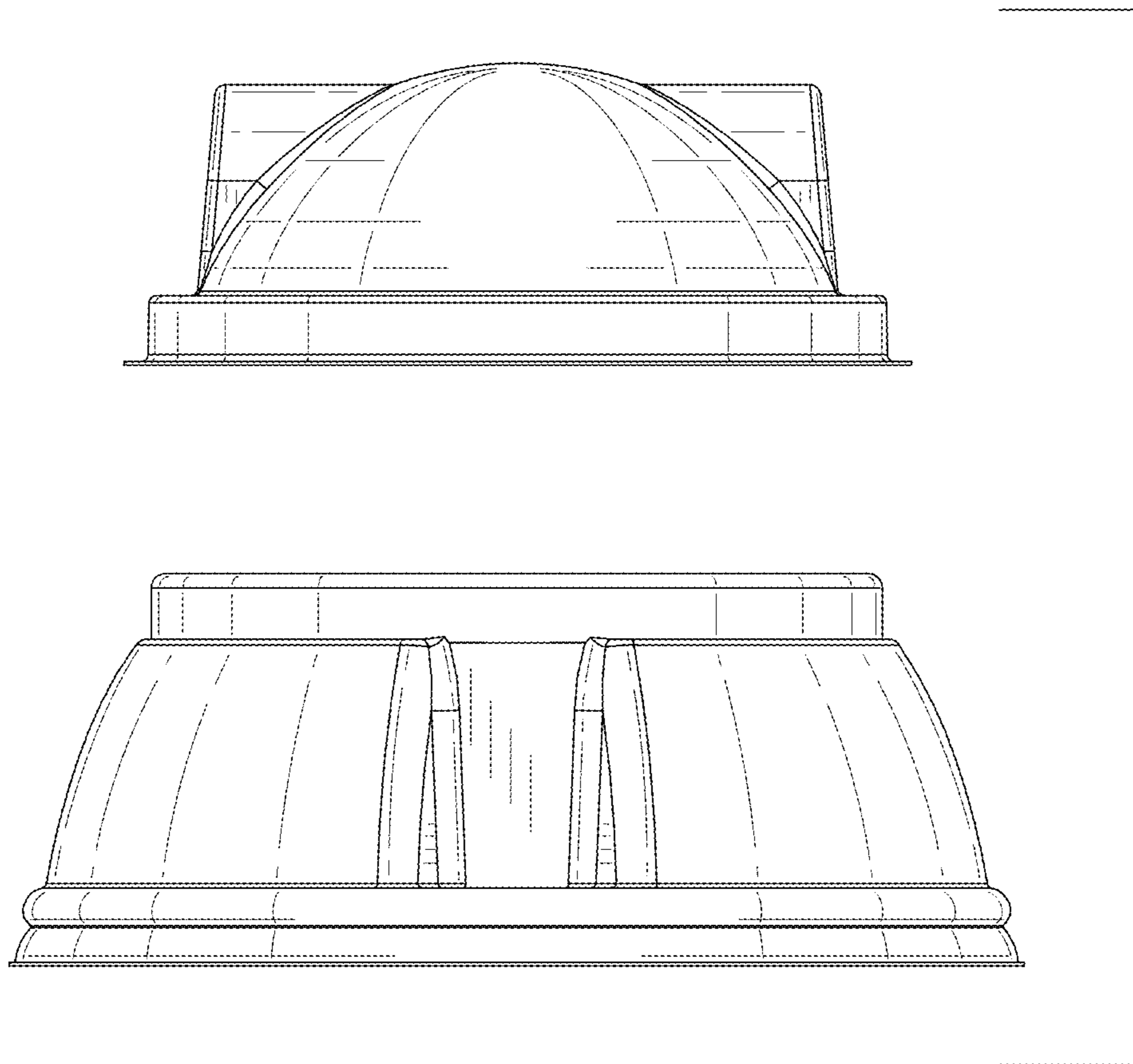


FIG. 10

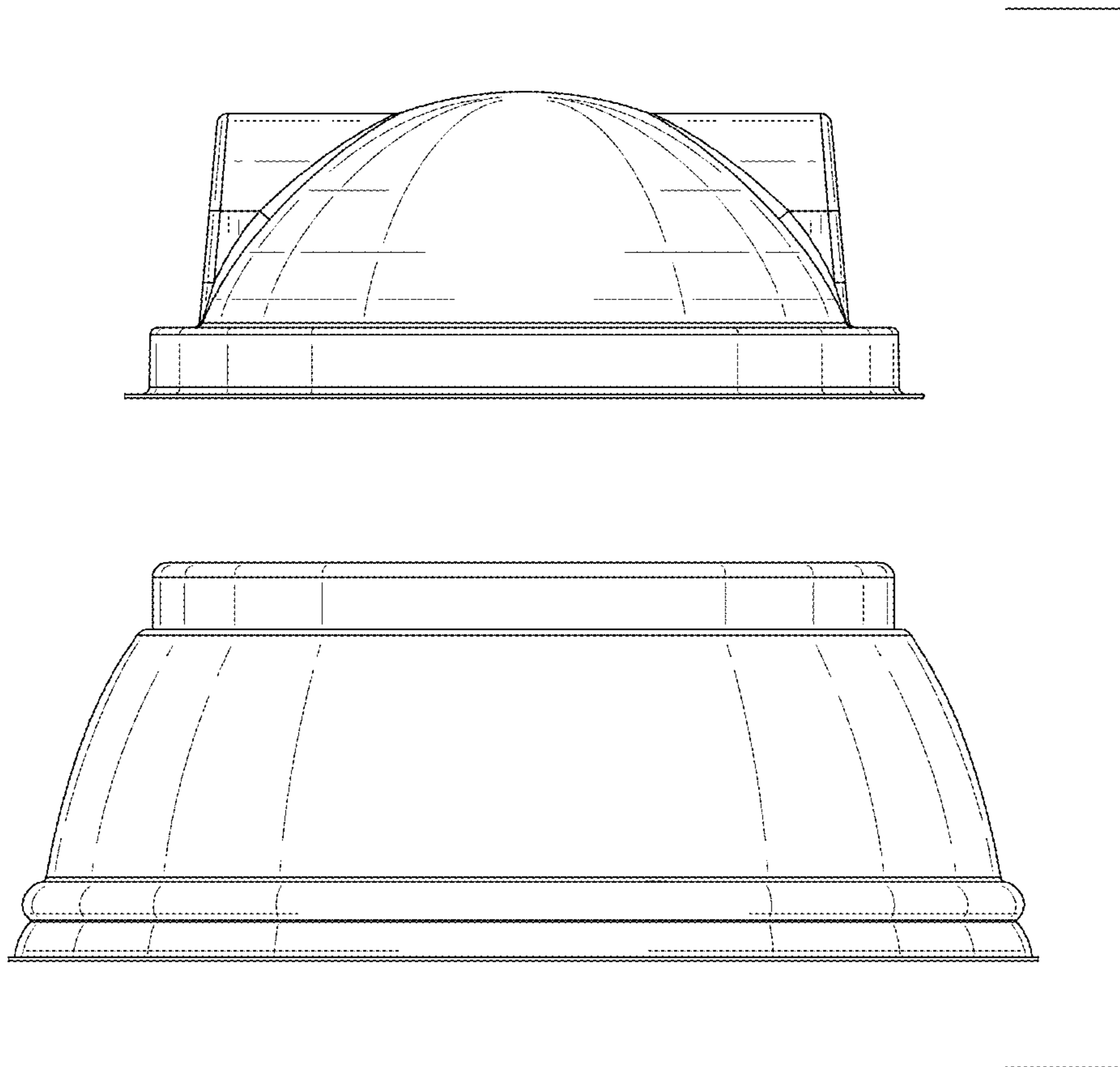


FIG. 11

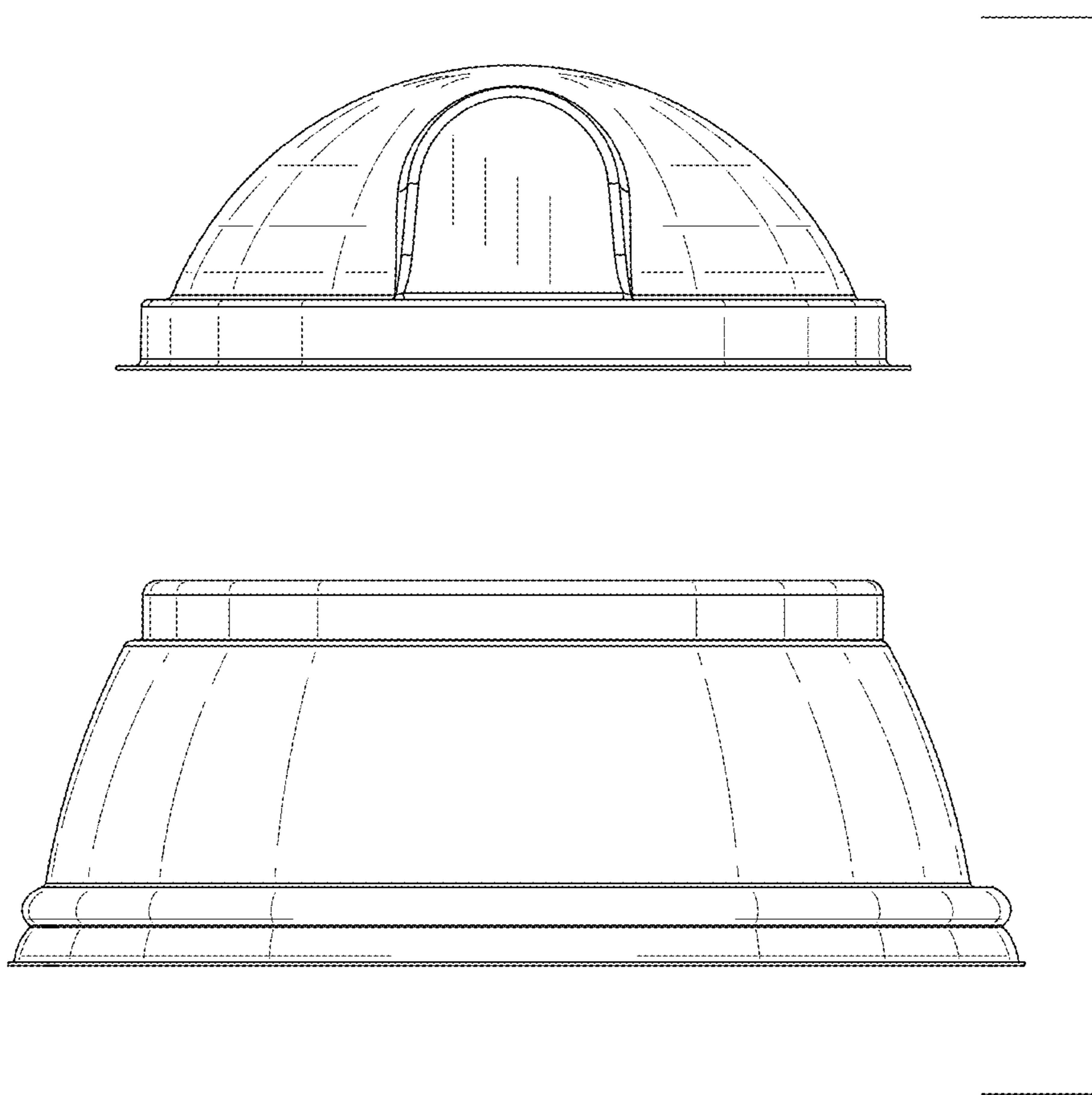


FIG. 12