



US00D796319S

(12) **United States Design Patent** (10) **Patent No.:** **US D796,319 S**
Thompson (45) **Date of Patent:** **** Sep. 5, 2017**

(54) **CARTON** D633,806 S * 3/2011 Lecoule D9/451
D646,579 S * 10/2011 Rahe D9/560
(71) Applicant: **Graphic Packaging International,** D703,529 S * 4/2014 Voelker D9/430
Inc., Atlanta, GA (US) 8,690,048 B2 * 4/2014 Philips B65D 77/065
220/23.91
(72) Inventor: **Jon Thompson, Bristol (GB)** 8,777,019 B2 7/2014 Dovell
D718,106 S * 11/2014 Lauzet D8/33
D725,465 S * 3/2015 Voelker D9/430
(73) Assignee: **Graphic Packaging International,** D728,364 S * 5/2015 Baker D9/432
Inc., Atlanta, GA (US) D740,656 S * 10/2015 Stewart D9/432
D741,709 S * 10/2015 Sohler D9/432
D766,718 S * 9/2016 Beckers D9/433
(**) Term: **14 Years** 2003/0160092 A1 * 8/2003 Philips B65D 77/065
229/122.32

(21) Appl. No.: **29/525,409**

(Continued)

(22) Filed: **Apr. 29, 2015**

FOREIGN PATENT DOCUMENTS

(51) **LOC (10) Cl.** **09-03**

CN 203558287 4/2014

(52) **U.S. Cl.**

USPC **D9/433**

(58) **Field of Classification Search**

USPC D9/430, 432, 433, 431, 756, 426, 725,
D9/425, 242, 761; D7/543, 545, 602,
D7/552.2, 538, 553.1, 553.2, 555, 541;
229/112

CPC B65D 1/00; B65D 5/4291; B65D 5/38;
B65D 1/225; B65D 5/002; A47F 5/11

See application file for complete search history.

Primary Examiner — Cynthia Underwood

(74) *Attorney, Agent, or Firm* — Womble Carlyle
Sandridge & Rice, LLP

(57) **CLAIM**

The ornamental design for a carton, as shown and described.

DESCRIPTION

FIG. 1 is a perspective view of a carton according to a first embodiment of the disclosure.

FIG. 2 is a right elevation view of the carton of FIG. 1.

FIG. 3 is a left elevation view of the carton of FIG. 1.

FIG. 4 is a front elevation view of the carton of FIG. 1.

FIG. 5 is a back elevation view of the carton of FIG. 1.

FIG. 6 is a top plan view of the carton of FIG. 1; and,

FIG. 7 is a bottom plan view of the carton of FIG. 1.

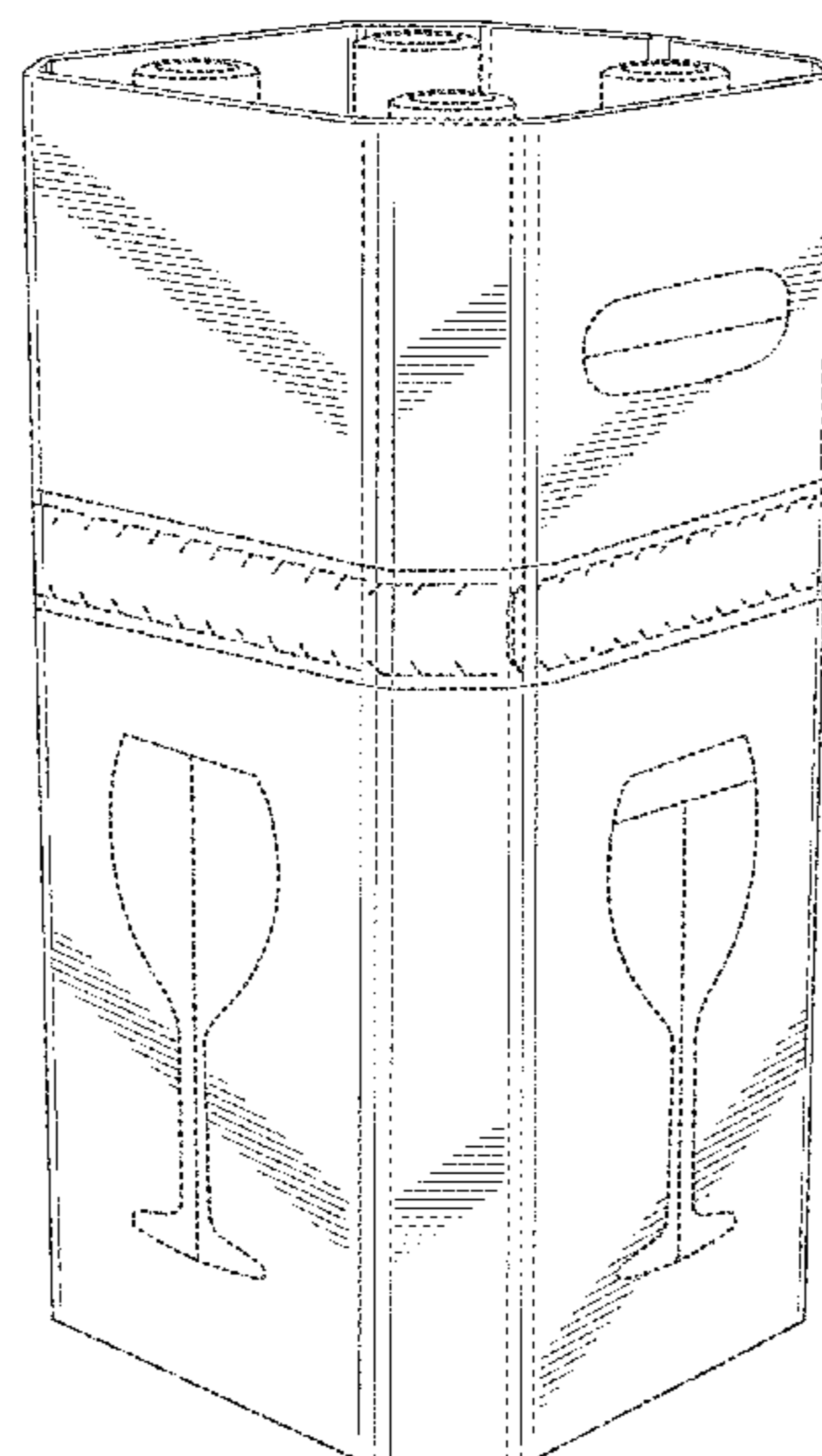
The broken lines represent environment that forms no part of the claim. The broken lines in the form of an alternating series of relatively short dashes and relatively long dashes form no part of the claimed design.

(56) **References Cited**

U.S. PATENT DOCUMENTS

2,300,473 A 11/1942 Van Winkle
3,899,076 A 8/1975 Florian
5,022,525 A 6/1991 Schuster
6,588,651 B2 * 7/2003 Quaintance B65D 5/029
229/109
6,615,996 B1 9/2003 Ivey
6,990,786 B2 1/2006 Kilmartin
D516,809 S 3/2006 Tagliati et al.
D521,731 S 5/2006 Tagliati et al.
D564,216 S 3/2008 Thai
D572,545 S 7/2008 Grant et al.
7,654,440 B2 * 2/2010 Quaintance B65D 5/029
229/109

1 Claim, 6 Drawing Sheets



(56)

References Cited

U.S. PATENT DOCUMENTS

2005/0040216 A1* 2/2005 Quaintance B65D 5/002
229/110
2012/0312813 A1* 12/2012 Voelker B65D 5/4204
220/23.89

* cited by examiner

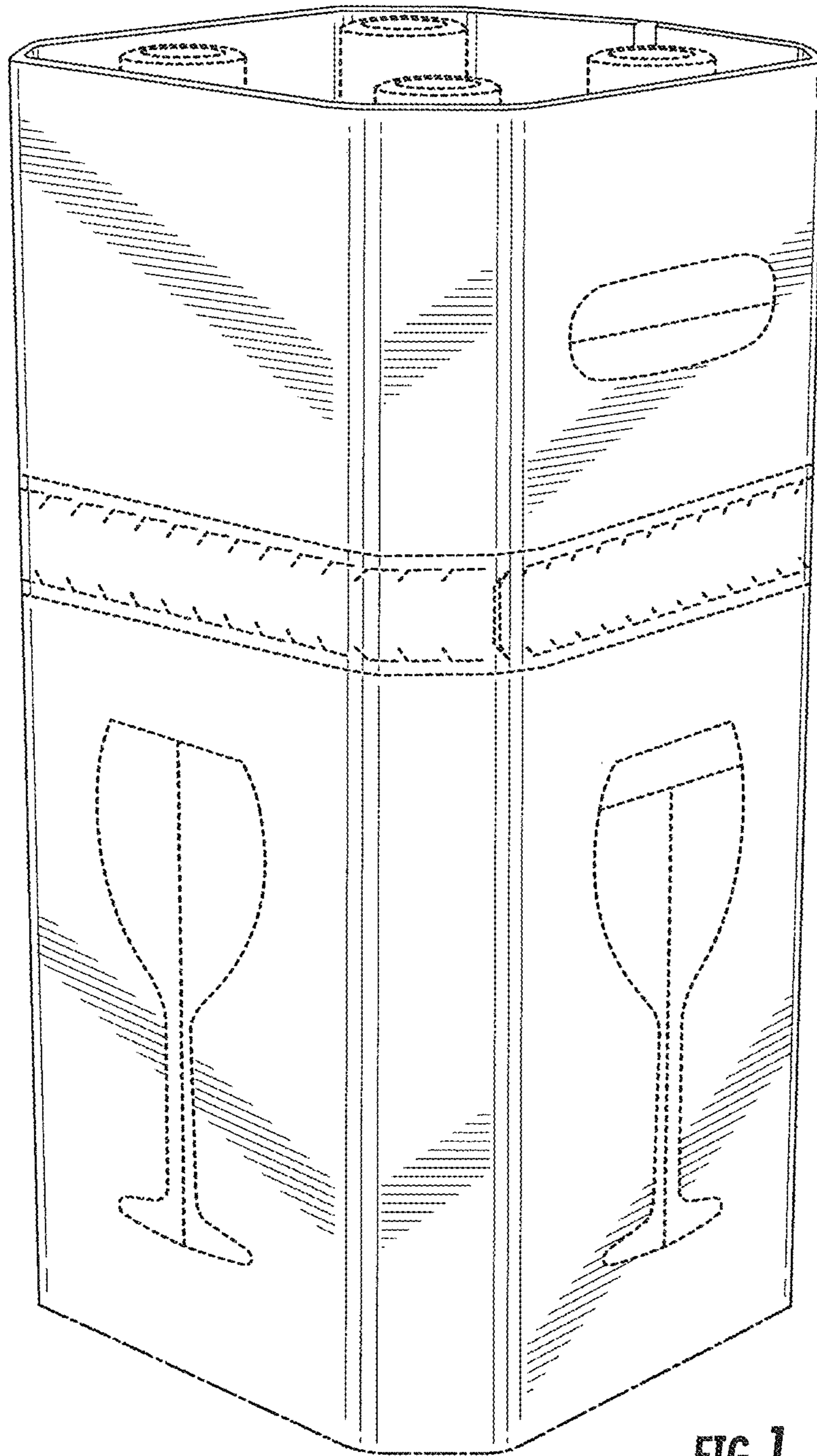


FIG. 1

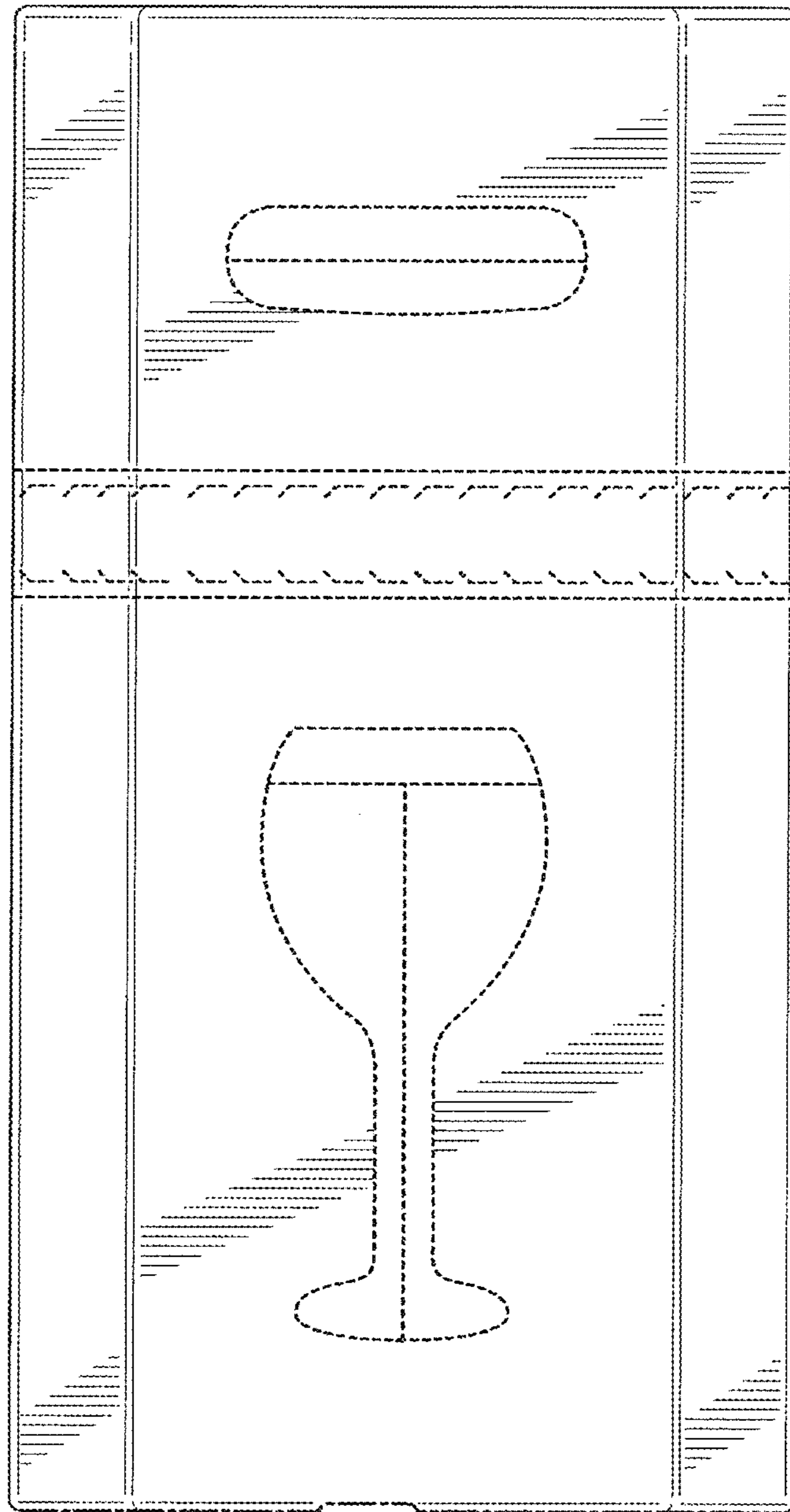


FIG. 2

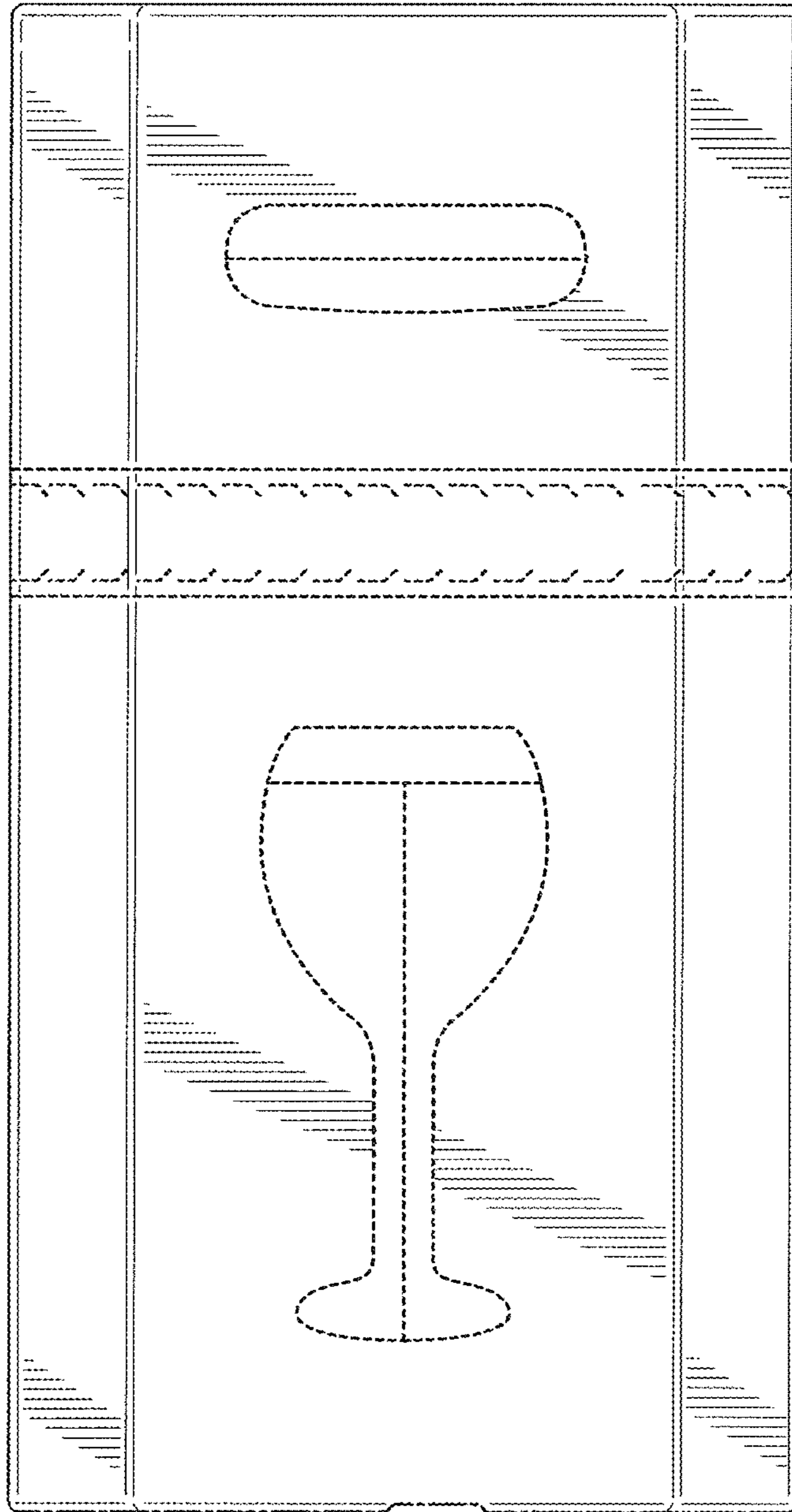


FIG. 3

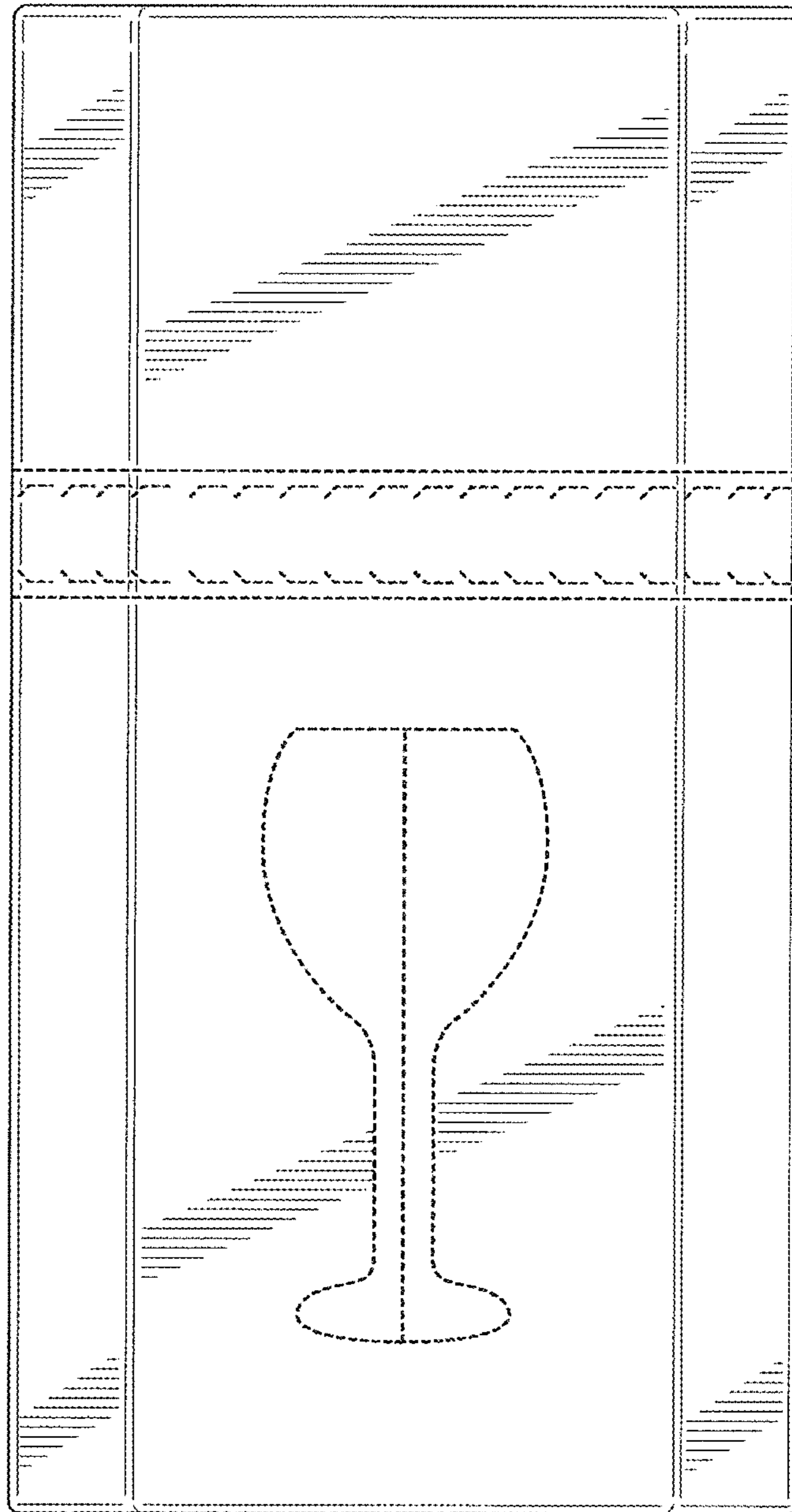


FIG. 4

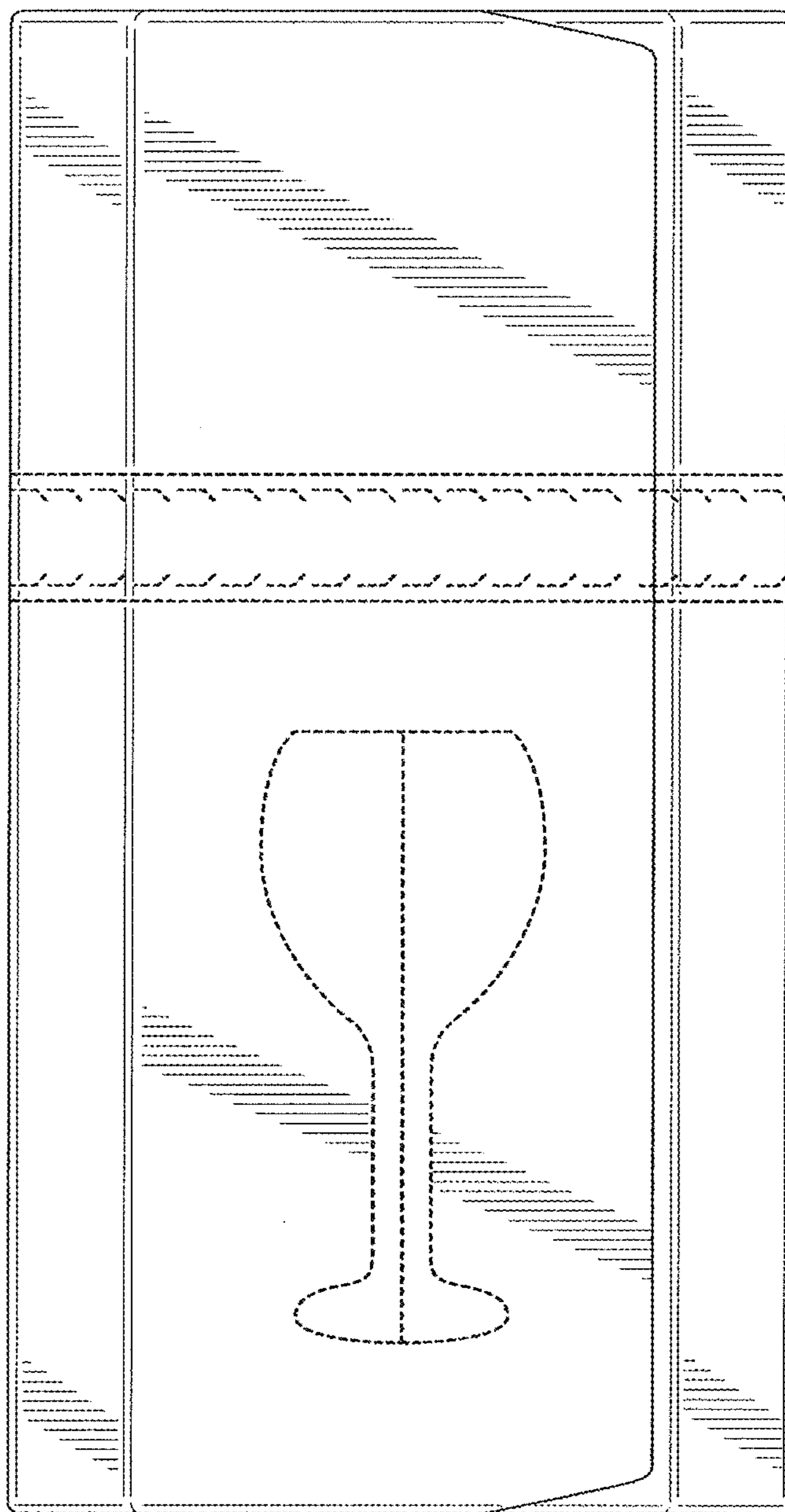


FIG. 5

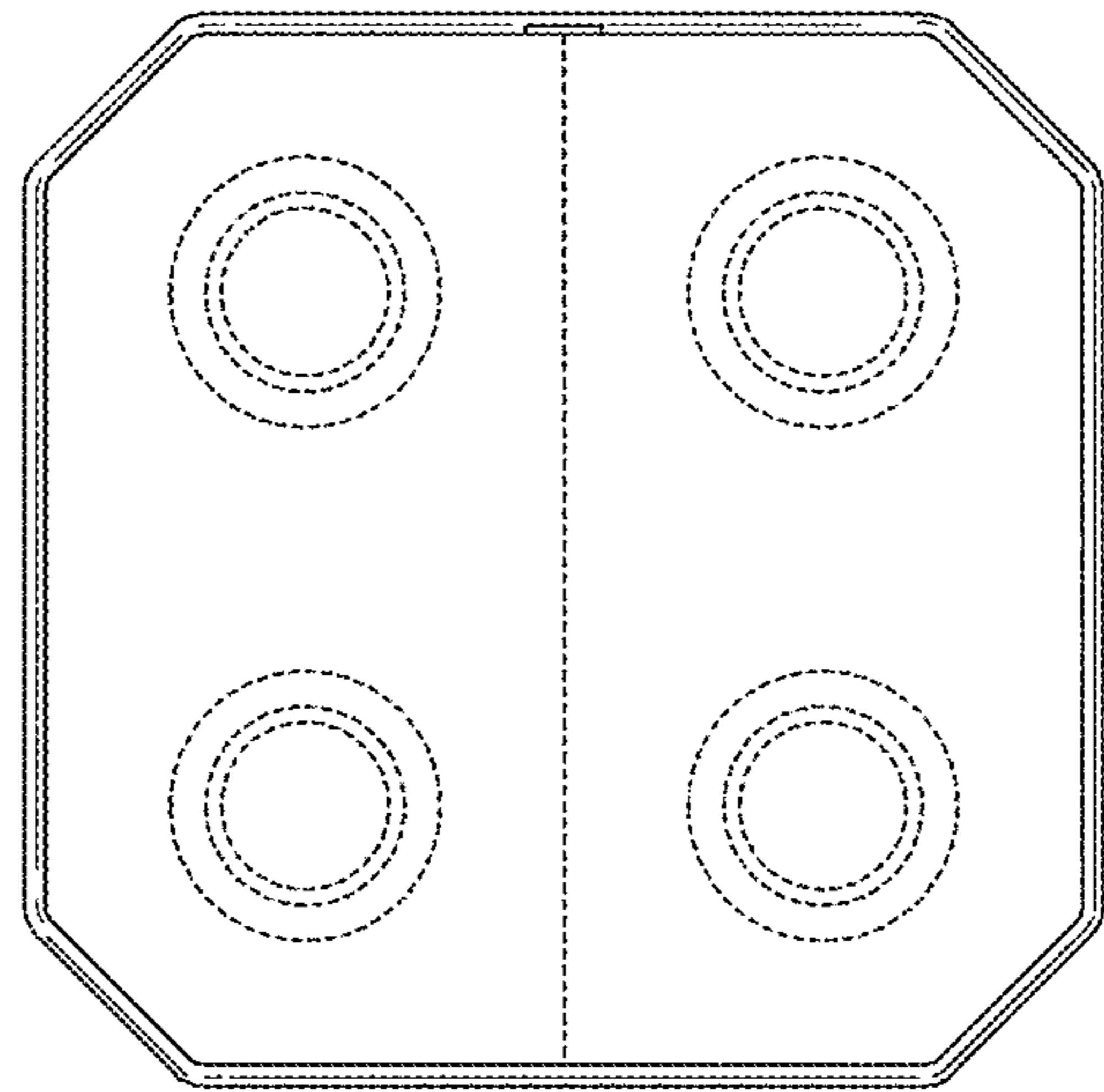


FIG. 6

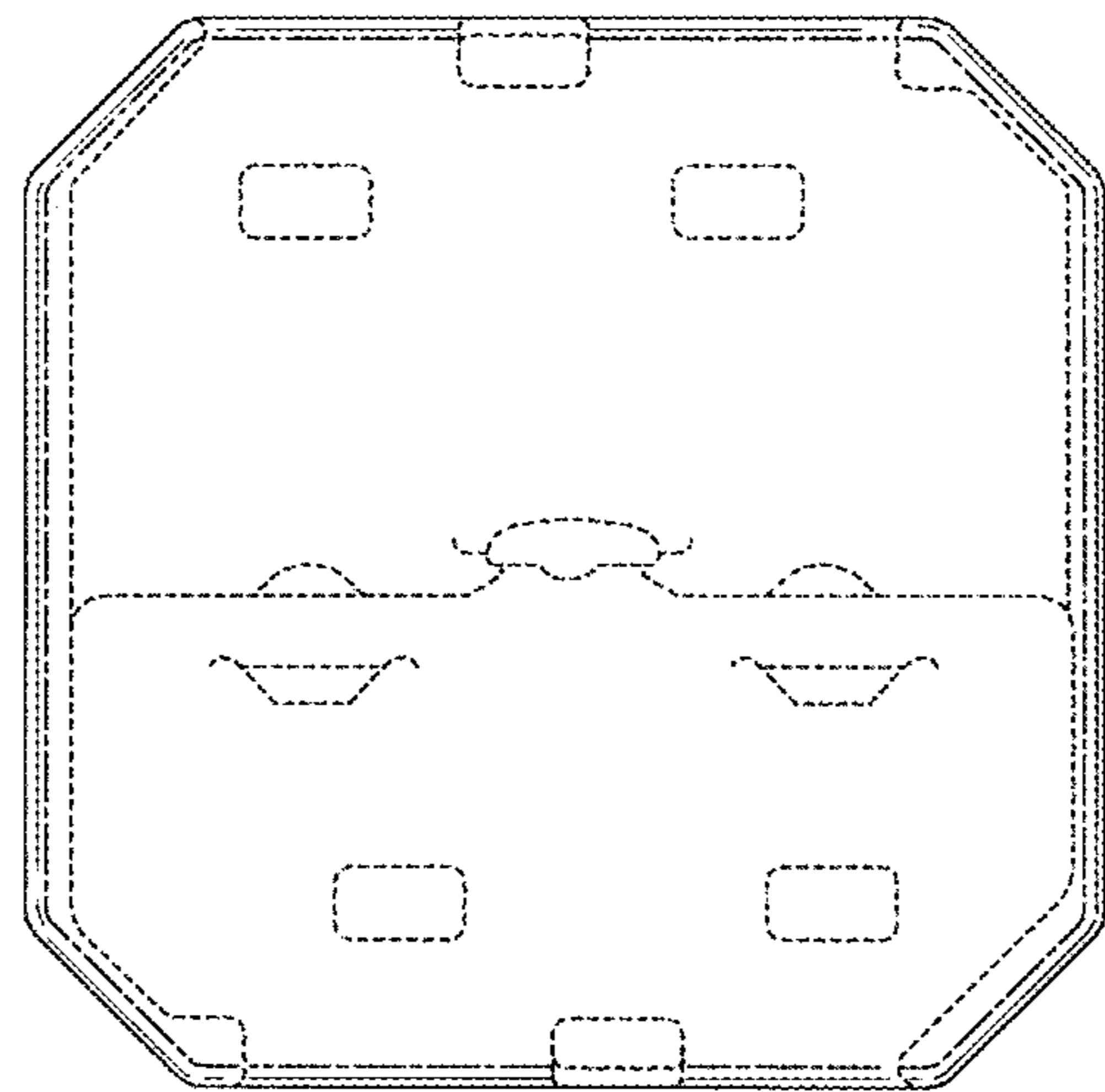


FIG. 7