



US00D796318S

(12) **United States Design Patent** (10) **Patent No.:** **US D796,318 S**
Buck (45) **Date of Patent:** **** Sep. 5, 2017**

(54) **FOOD CONTAINER**

(71) Applicant: **Ronald Mark Buck**, Encinitas, CA (US)

(72) Inventor: **Ronald Mark Buck**, Encinitas, CA (US)

(73) Assignee: **Snacktops, Inc.**, Carlsbad, CA (US)

(**) Term: **15 Years**

(21) Appl. No.: **29/542,063**

(22) Filed: **Oct. 9, 2015**

(51) **LOC (10) Cl.** **09-03**

(52) **U.S. Cl.**
USPC **D9/428**

(58) **Field of Classification Search**
USPC D7/538-545, 602, 608, 629; D9/396.1, D9/414, 420, 424-429, 432, 761; 206/501-509; 220/781, 791, 793, 220/811-813, 835, 839
CPC ... B65D 1/24; B65D 1/26; B65D 1/34; B65D 1/36; B65D 1/40; B65D 1/0223; B65D 25/04; B65D 43/03; B65D 43/16; B65D 43/0212

See application file for complete search history.

(56) **References Cited**

U.S. PATENT DOCUMENTS

D102,968 S * 1/1937 Farber 220/23.83
D239,999 S * 5/1976 Christian D7/584
D383,646 S * 9/1997 Jeppesen D7/543
D426,427 S * 6/2000 Rubbright D7/565
D453,094 S * 1/2002 Maggard D7/584
7,523,839 B2 * 4/2009 Savicki B65D 43/0231
220/303
D606,406 S * 12/2009 Takata D9/428
D607,329 S * 1/2010 Diss D7/587
D684,459 S * 6/2013 Stowe D9/428

D689,730 S * 9/2013 Goto D7/354
D701,076 S * 3/2014 Baratelli D7/354
2007/0102425 A1 * 5/2007 Richardson B65D 15/14
219/734

(Continued)

Primary Examiner — Derrick Holland

Assistant Examiner — Janice Lim

(74) *Attorney, Agent, or Firm* — Manuel de la Cerra

(57) **CLAIM**

The ornamental design for a food container, as shown and described.

DESCRIPTION

FIG. 1 is a top perspective view of a food container, showing my new design.

FIG. 2 is a bottom perspective view thereof.

FIG. 3 is a top perspective view thereof, shown in use, in reduced scale.

FIG. 4 is a bottom perspective view thereof, shown in use, in reduced.

FIG. 5 is a top perspective view thereof, shown in use, in detached condition, in reduced scale.

FIG. 6 is a bottom perspective view thereof, shown in use, in detached condition, in reduced scale.

FIG. 7 is a top view thereof.

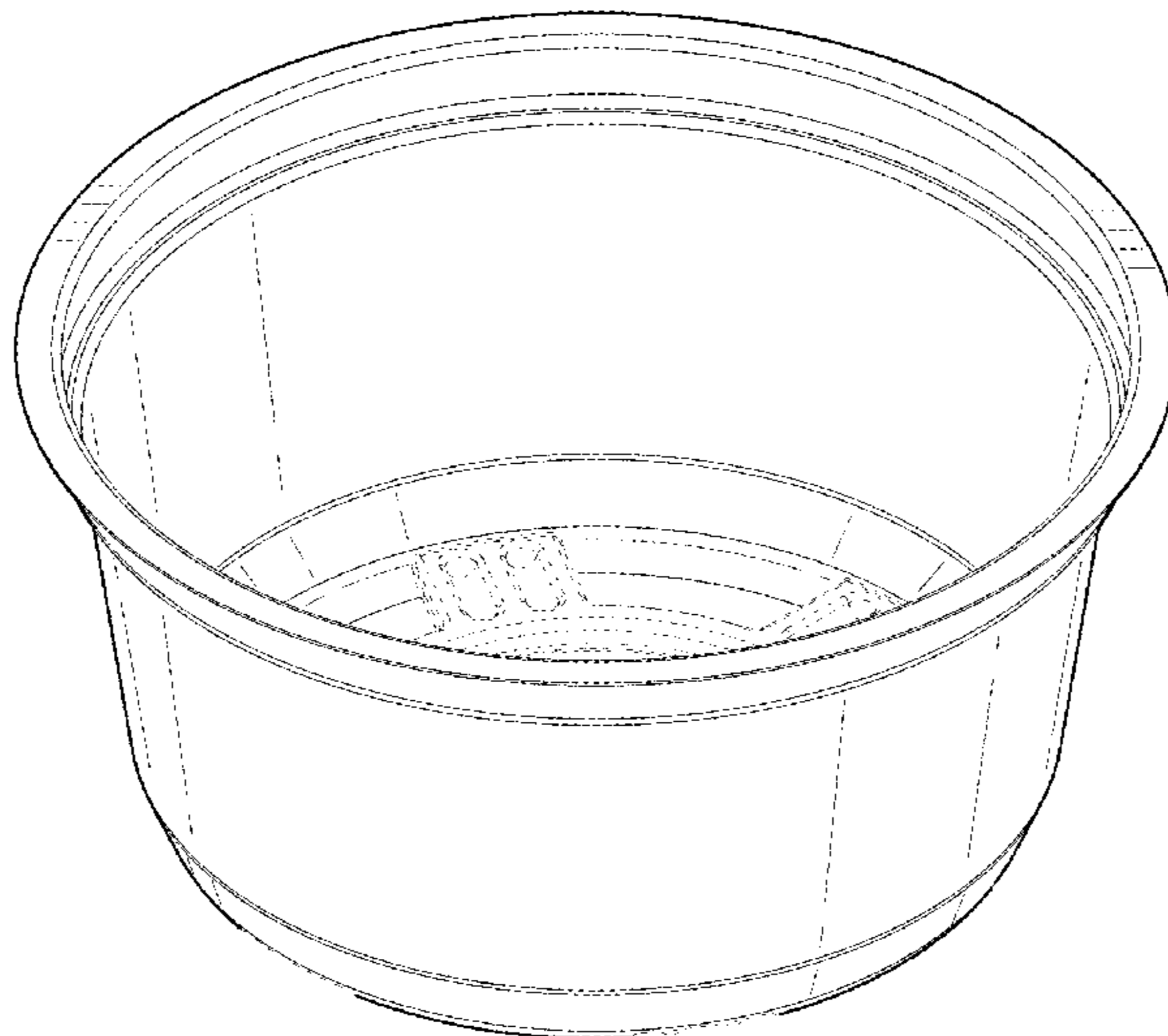
FIG. 8 is a bottom view thereof.

FIG. 9 is a front view thereof, and the rear view being a mirror image thereof; and,

FIG. 10 is a left side view thereof, and the right-side view being a mirror image thereof.

The broken lines on the food container in the figures illustrate the portions of the design that form no part of the claimed design. The broken lines showing the lid and the beverage container in the figures illustrate environmental subject matter that form no part of the claimed design. The dot-dash broken lines immediately adjacent to the claimed areas in the views represent the boundaries of the design and form no part thereof. None of the broken lines form any part of the claimed design.

1 Claim, 6 Drawing Sheets



(56)

References Cited

U.S. PATENT DOCUMENTS

2009/0166369 A1* 7/2009 Savicki B65D 43/0218
220/781
2012/0061404 A1* 3/2012 Roth A47J 41/0044
220/592.01
2012/0138608 A1* 6/2012 Rusnak B65D 43/0208
220/23.87

* cited by examiner

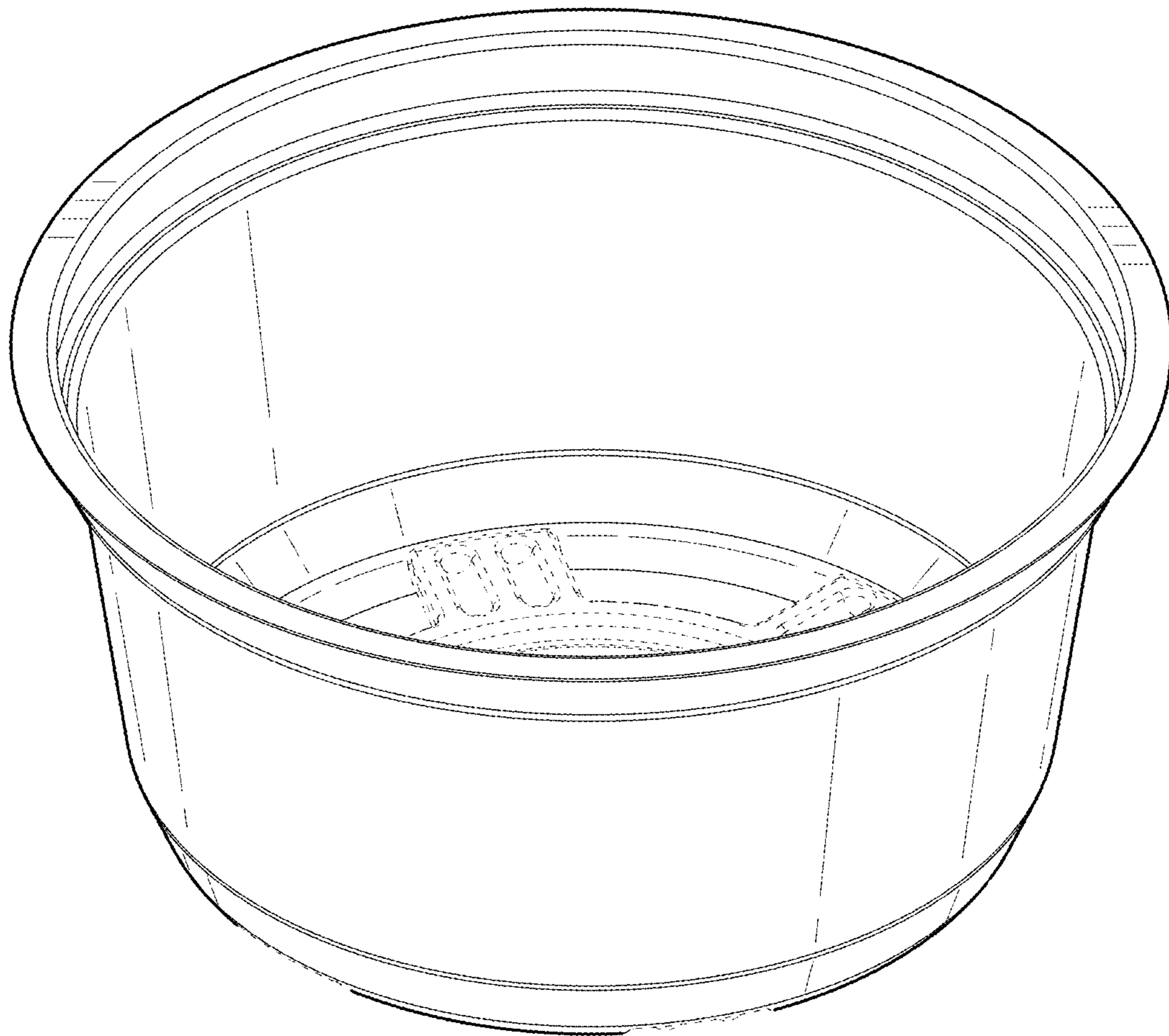


FIG. 1

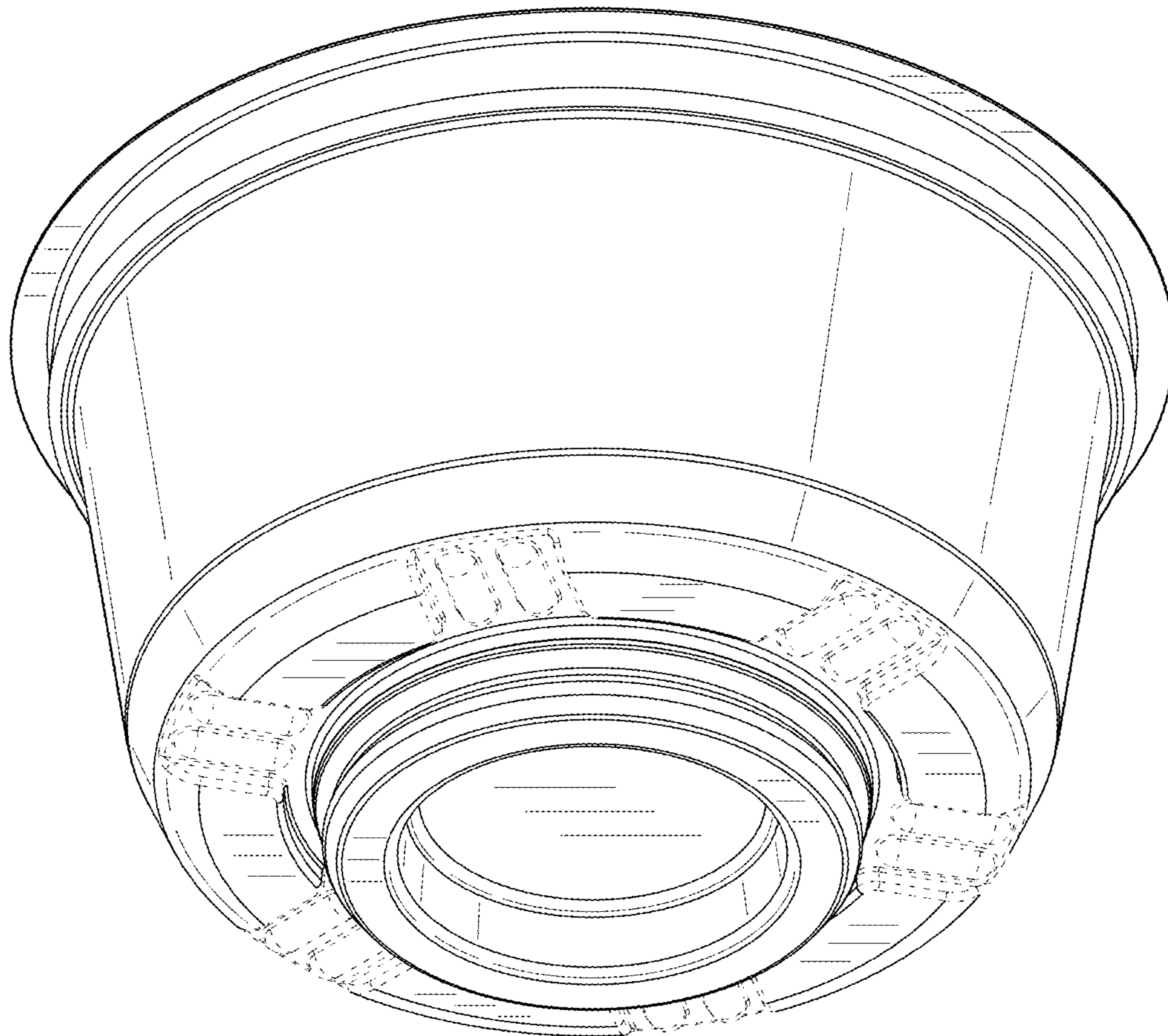


FIG. 2

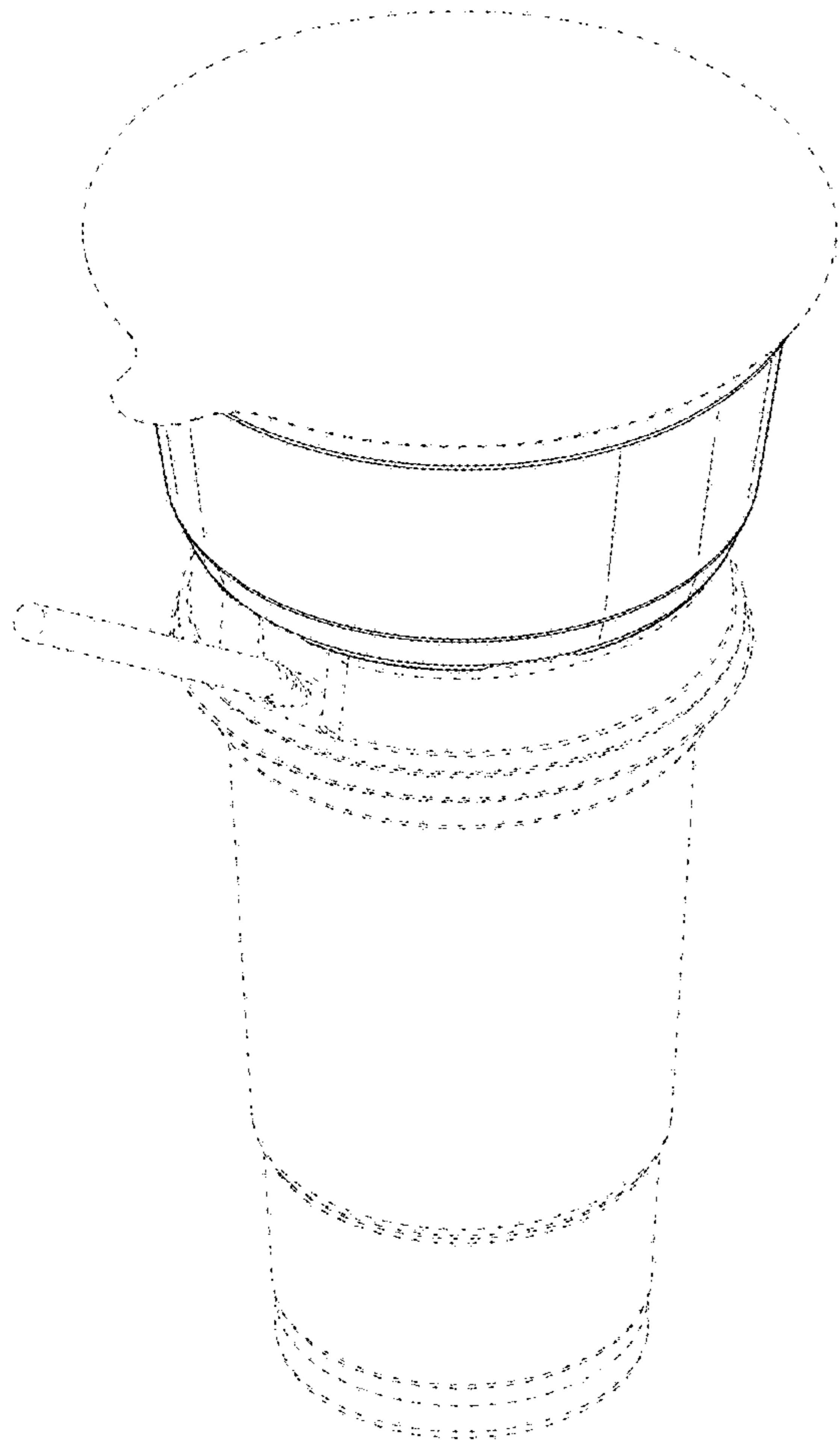


FIG. 3

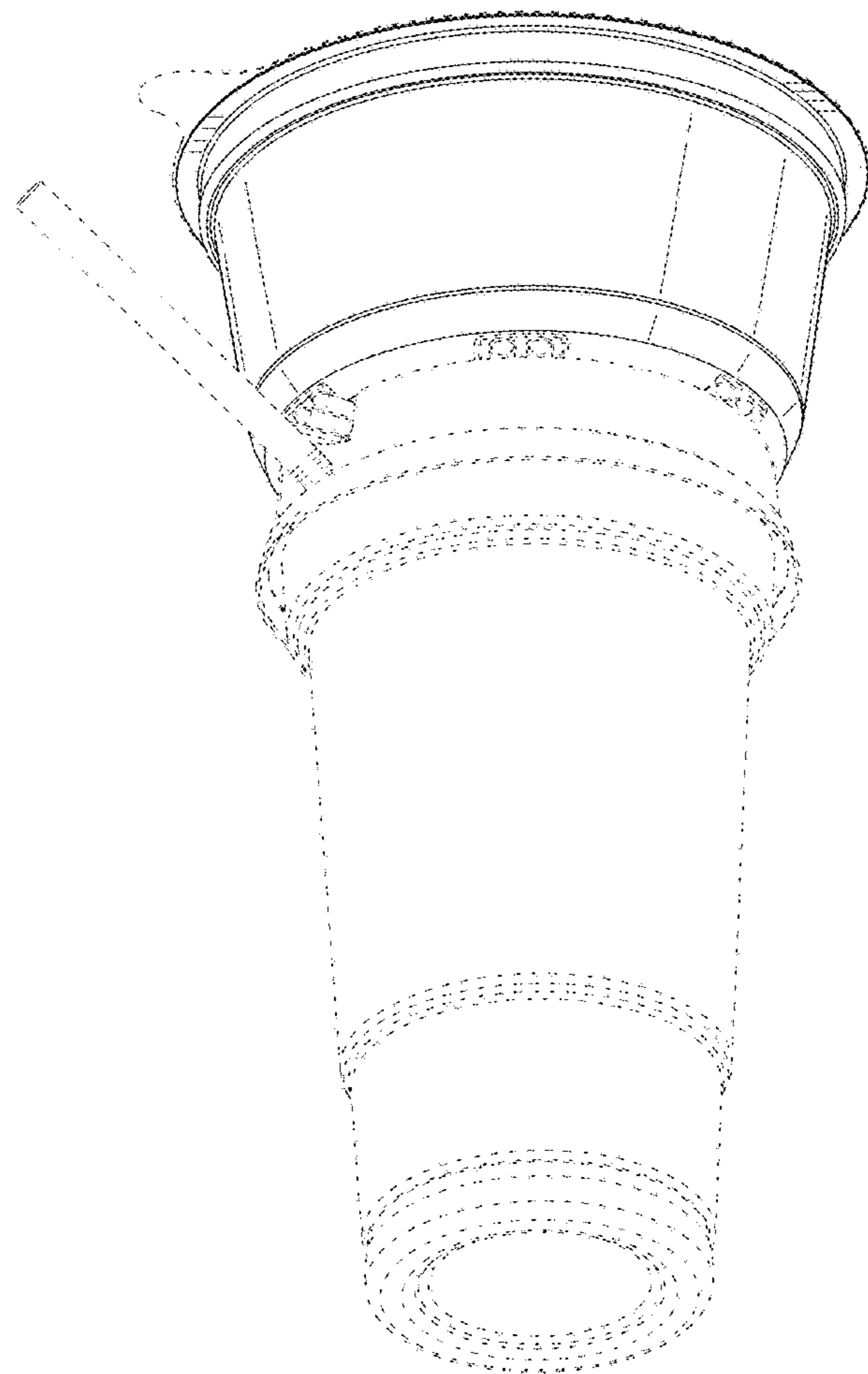


FIG. 4

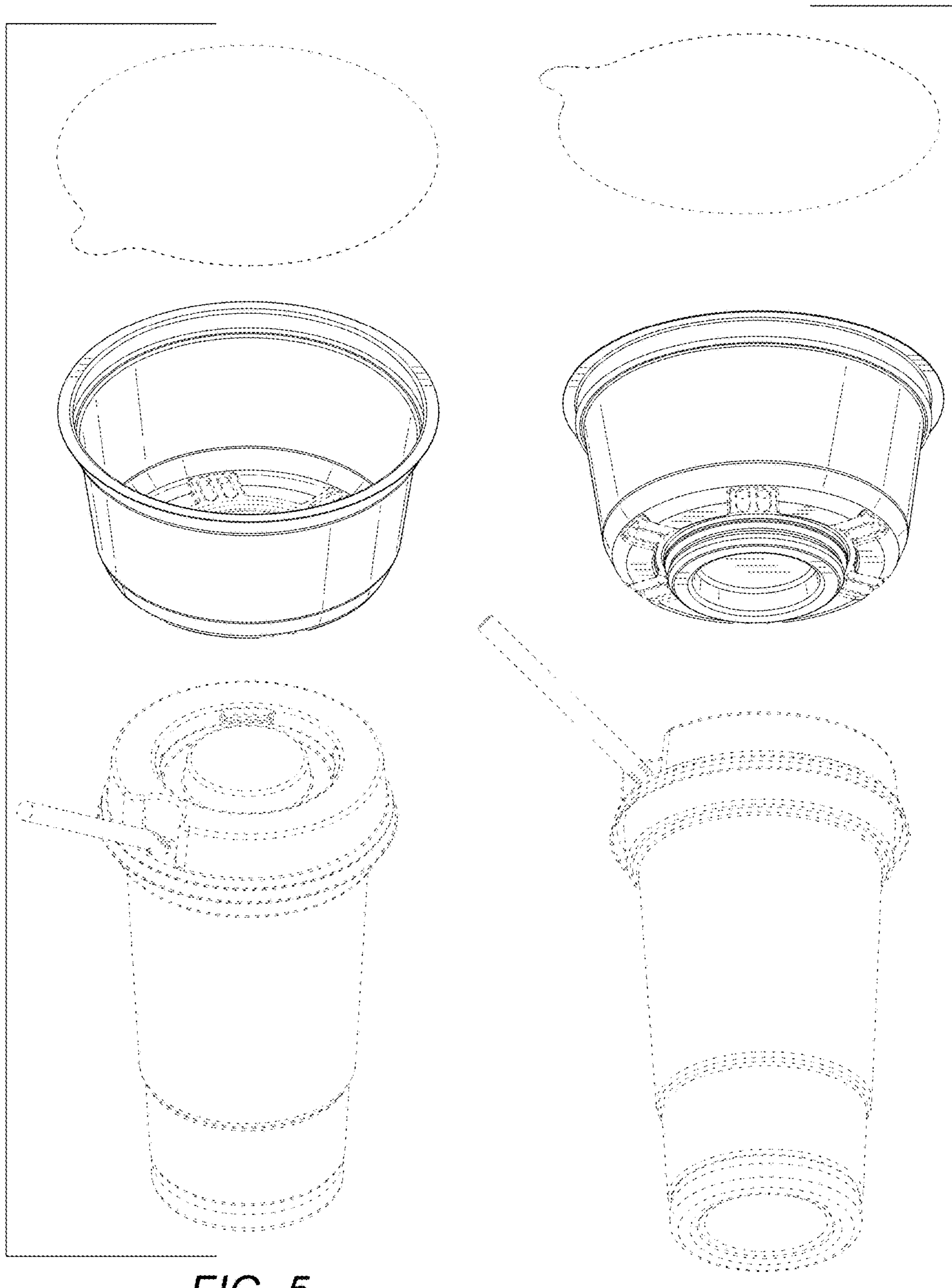


FIG. 5

FIG. 6

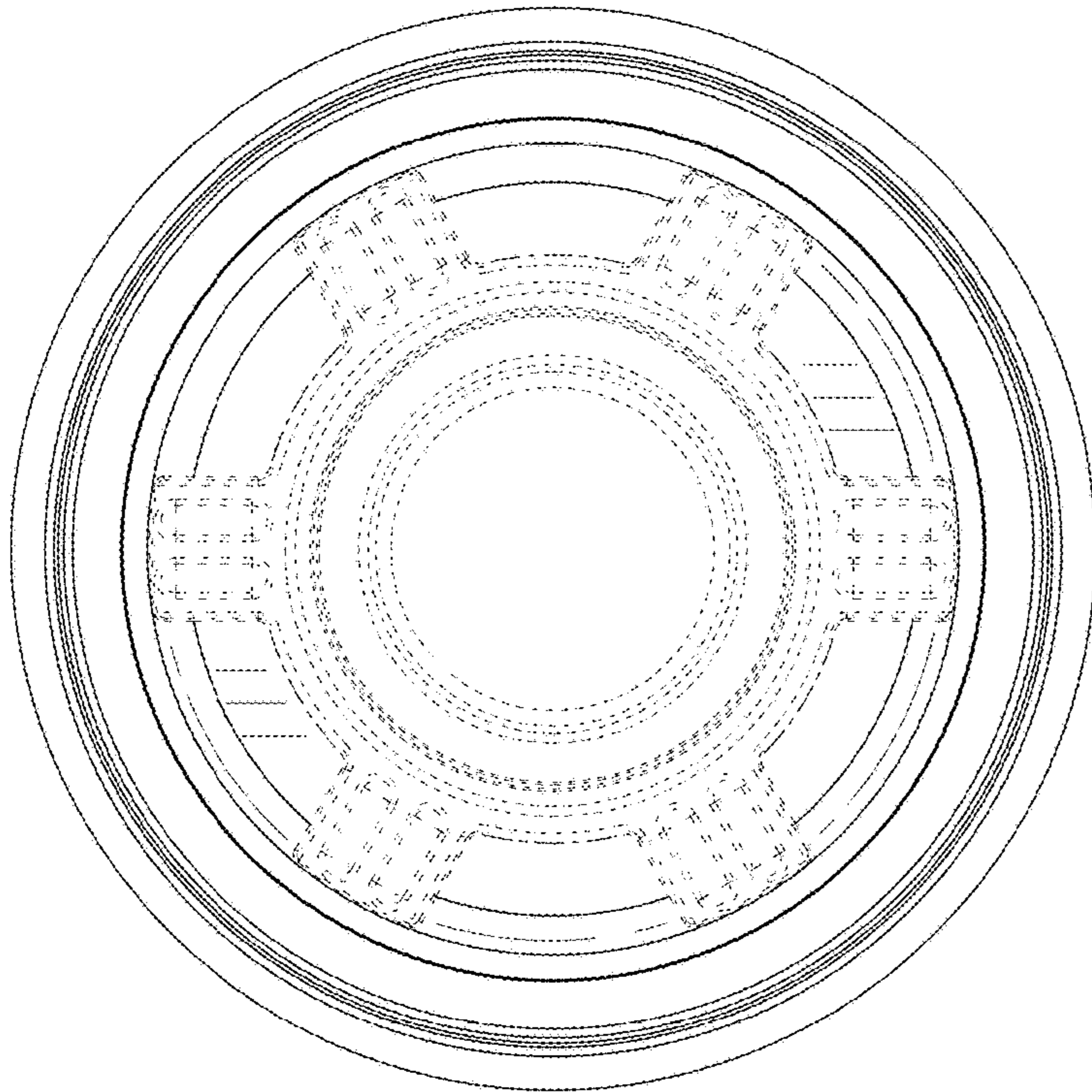


FIG. 7

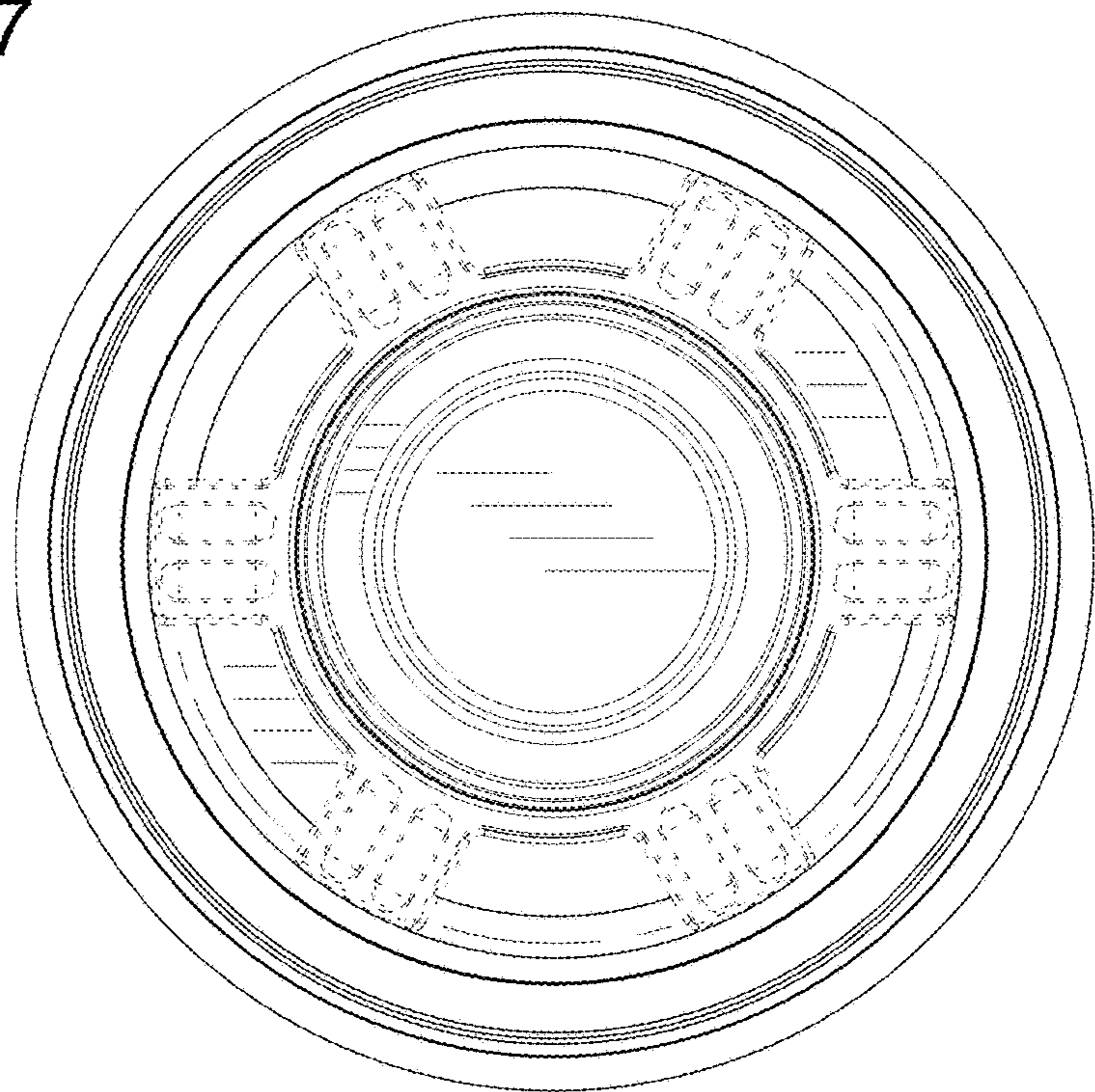


FIG. 8

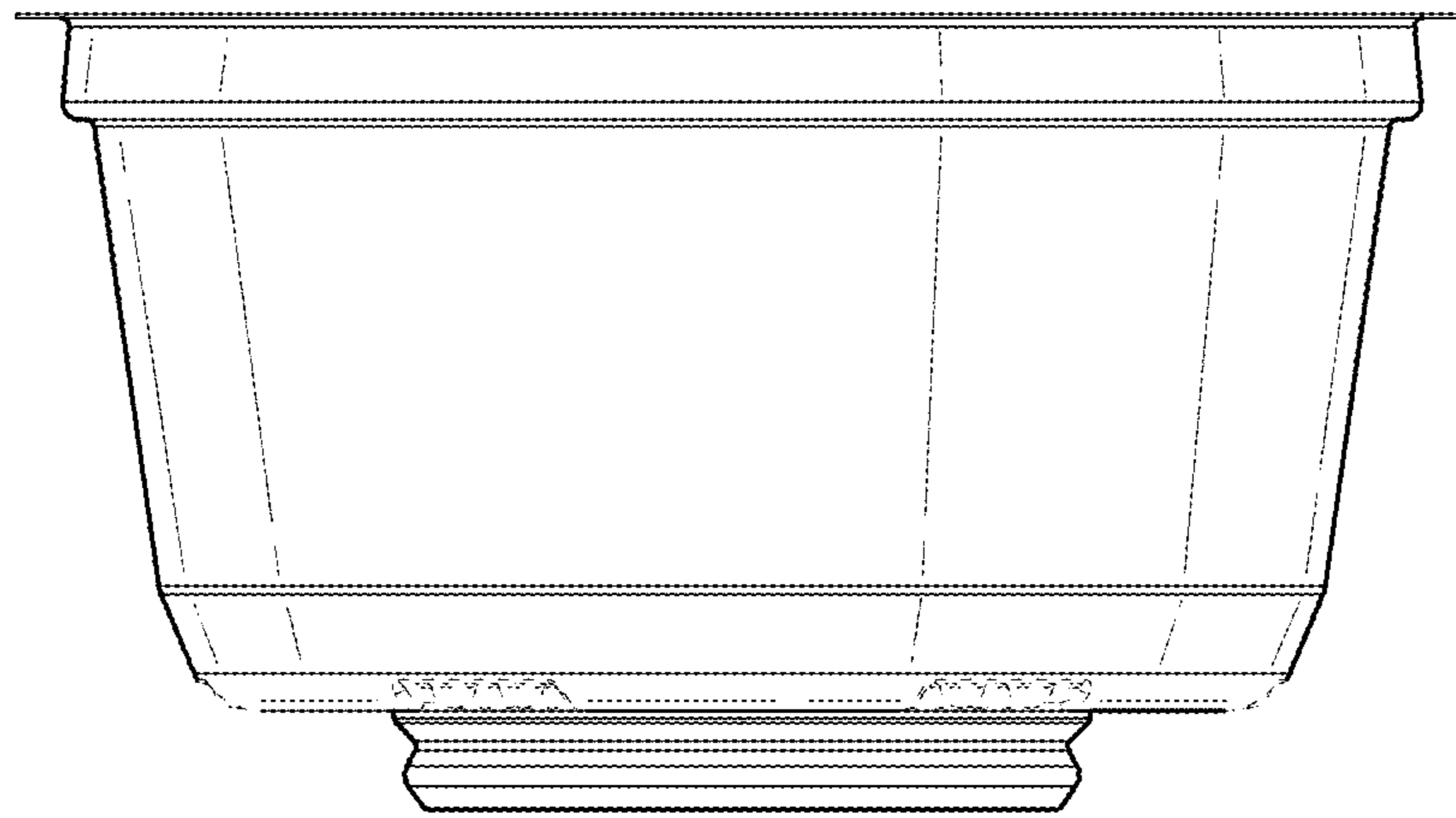


FIG. 9

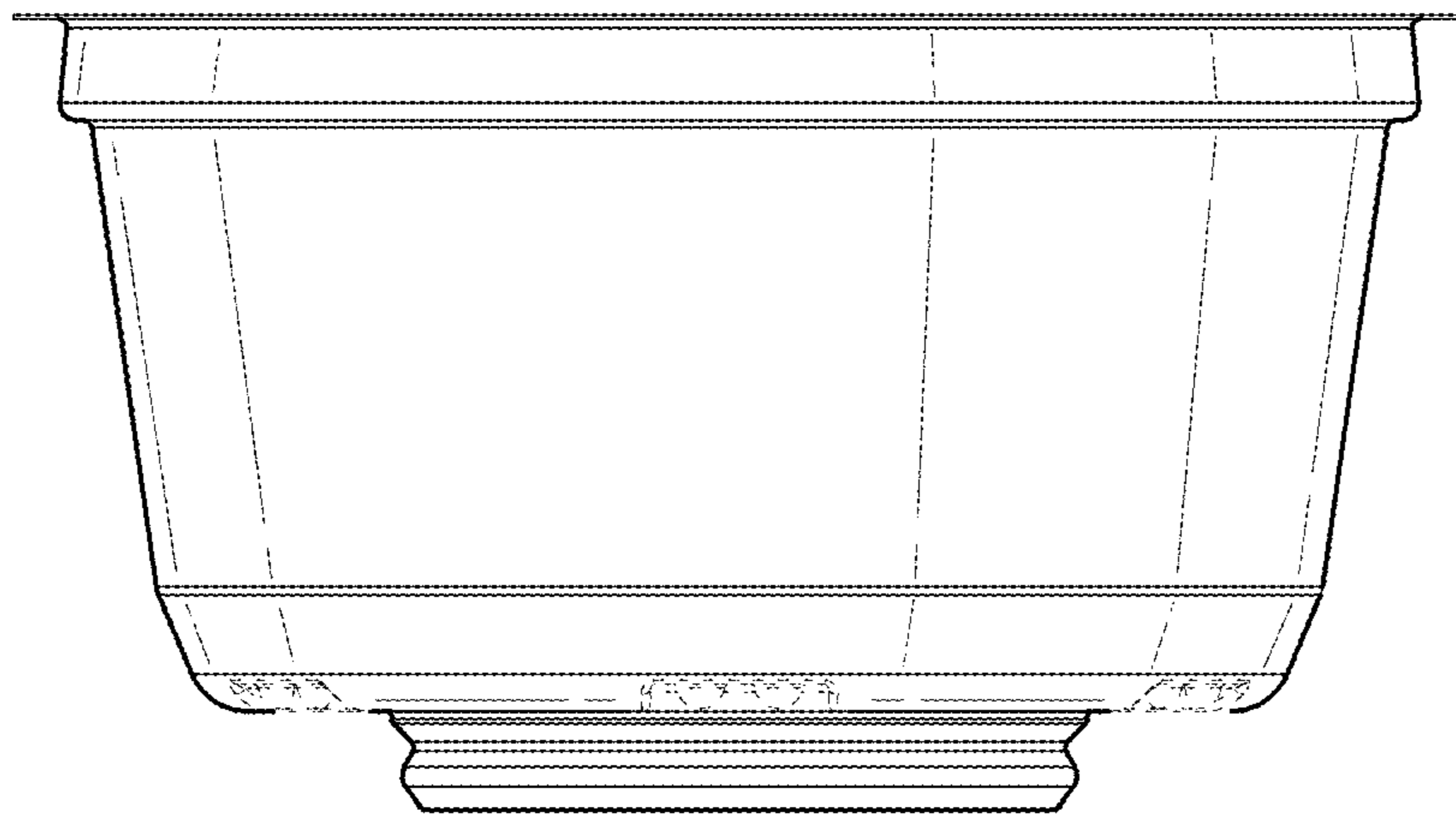


FIG. 10