



US00D796317S

(12) **United States Design Patent** (10) **Patent No.:** **US D796,317 S**  
**Buck** (45) **Date of Patent:** **\*\* \*Sep. 5, 2017**

(54) **FOOD CONTAINER**

(71) Applicant: **Ronald Mark Buck**, Encinitas, CA (US)

(72) Inventor: **Ronald Mark Buck**, Encinitas, CA (US)

(73) Assignee: **SNACKTOPS, Inc.**, Carlsbad, CA (US)

(\*) Notice: This patent is subject to a terminal disclaimer.

(\*\*) Term: **15 Years**

(21) Appl. No.: **29/542,058**

(22) Filed: **Oct. 9, 2015**

(51) **LOC (10) Cl.** ..... **09-03**

(52) **U.S. Cl.**  
USPC ..... **D9/428**

(58) **Field of Classification Search**  
USPC ..... D7/538-545, 602, 608, 629; D9/396.1, D9/414, 420, 424-429, 432, 761; 206/501-509; 220/781, 791, 793, 220/811-813, 835, 839  
CPC ... B65D 1/24; B65D 1/26; B65D 1/34; B65D 1/36; B65D 1/40; B65D 1/0223; B65D 25/04; B65D 43/03; B65D 43/16; B65D 43/0212  
See application file for complete search history.

(56) **References Cited**

**U.S. PATENT DOCUMENTS**

- 4,535,889 A \* 8/1985 Terauds ..... B65D 43/0212 206/527
- D293,292 S \* 12/1987 Finsilver ..... D7/540
- D335,085 S \* 4/1993 Wacker ..... D7/538
- D364,090 S \* 11/1995 Krupa ..... D9/423
- 6,196,406 B1 \* 3/2001 Ennis ..... B65D 71/02 206/501
- D475,893 S \* 6/2003 Hottenroth ..... D7/538

- D504,281 S \* 4/2005 Duggan ..... D7/538
- D528,908 S \* 9/2006 Faktorovich ..... D9/424
- D545,627 S \* 7/2007 Chatterton ..... D7/538
- D556,569 S \* 12/2007 Stein ..... D9/424
- D687,705 S \* 8/2013 Krupa ..... D9/425
- 2009/0057381 A1 \* 3/2009 Gokhale ..... B65D 1/26 229/104

\* cited by examiner

*Primary Examiner* — Derrick Holland

*Assistant Examiner* — Janice Lim

(74) *Attorney, Agent, or Firm* — Manuel de la Cerra

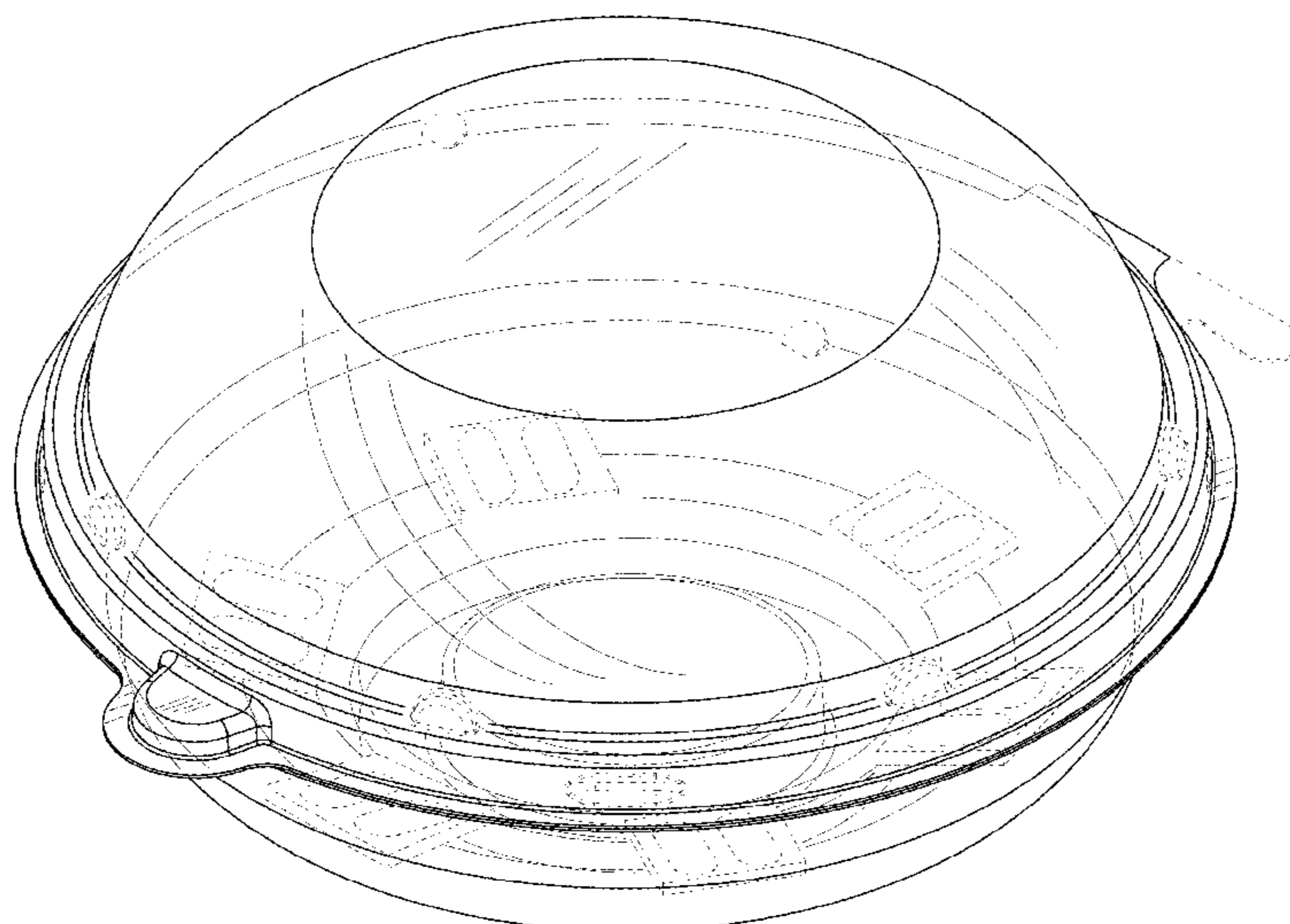
(57) **CLAIM**

The ornamental design for a food container, as shown and described.

**DESCRIPTION**

FIG. 1 is a top perspective view of a food container, showing my new design.  
 FIG. 2 is a bottom perspective view thereof.  
 FIG. 3 is a top perspective view thereof, shown in use, in reduced scale.  
 FIG. 4 is a bottom perspective view thereof, shown in use, in reduced scale.  
 FIG. 5 is a top perspective view thereof, shown in use, in detached condition, in reduced scale.  
 FIG. 6 is a bottom perspective view thereof, shown in use, in detached condition, in reduced scale.  
 FIG. 7 is a top view thereof.  
 FIG. 8 is a bottom view thereof.  
 FIG. 9 is a front view thereof.  
 FIG. 10 is a rear view thereof.  
 FIG. 11 is a left side view thereof; and,  
 FIG. 12 is a right side view thereof.  
 The broken line portions are included to shown unclaimed subject matter only and form no part of the claimed design.

**1 Claim, 8 Drawing Sheets**



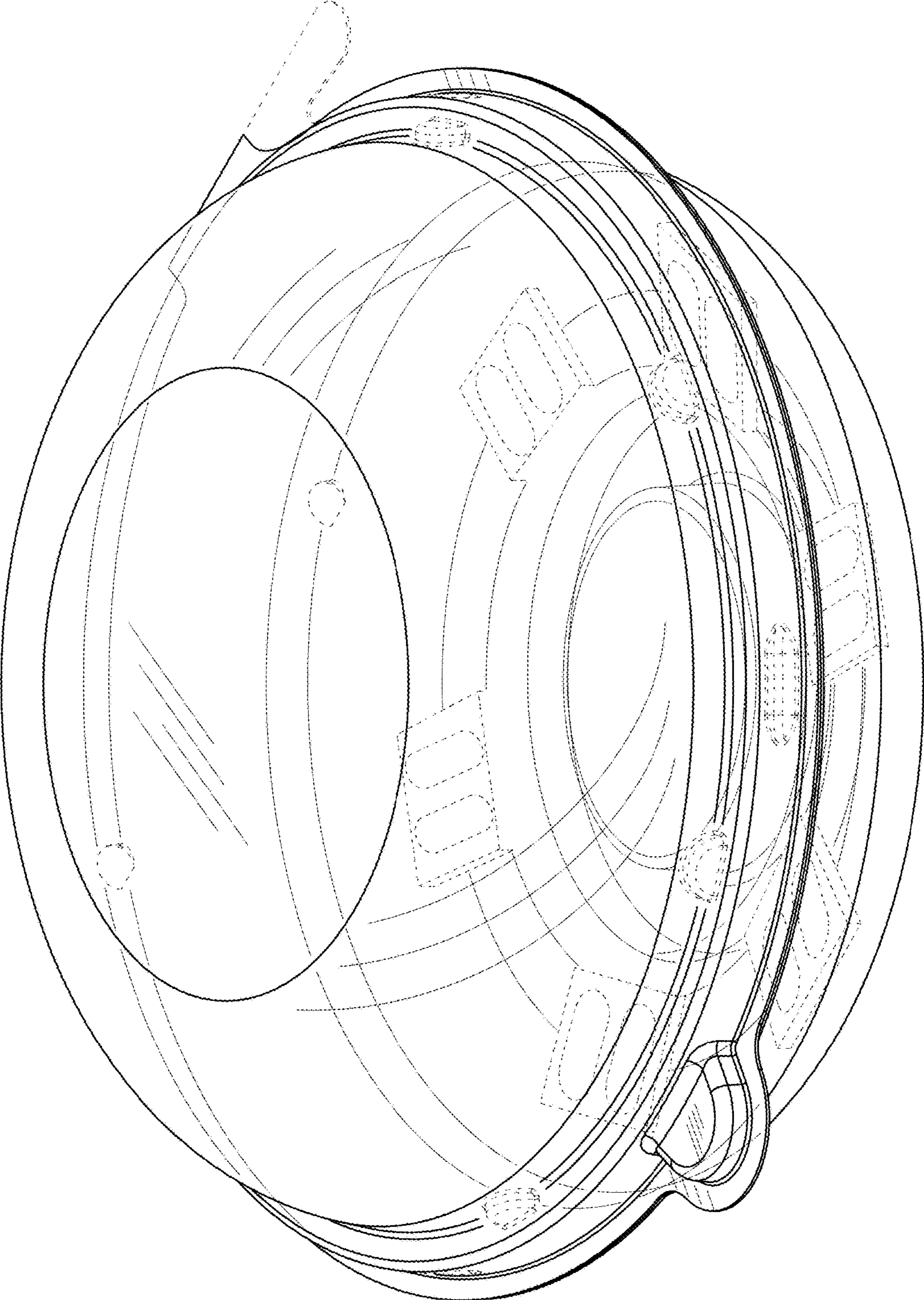


FIG. 1

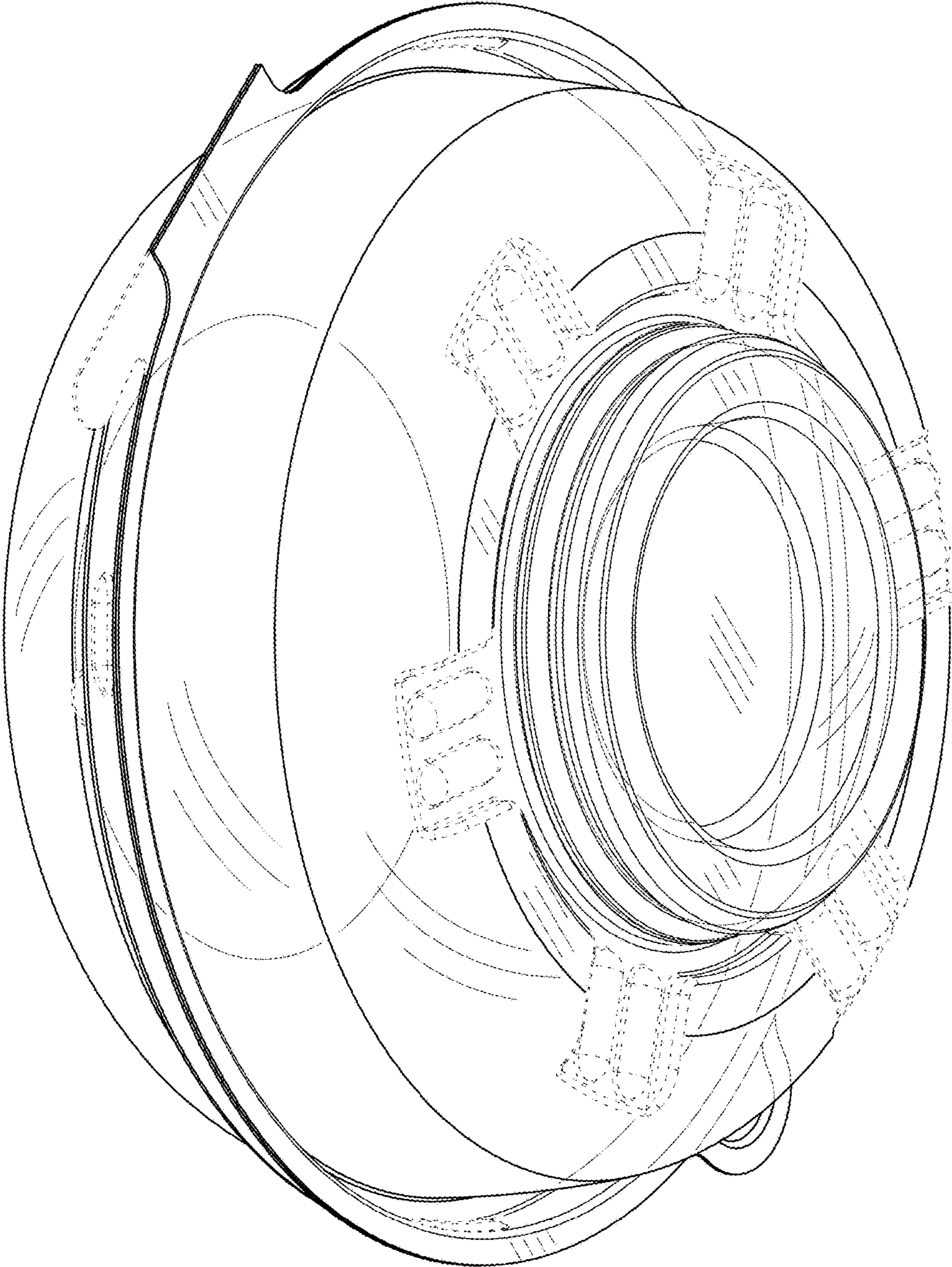


FIG. 2

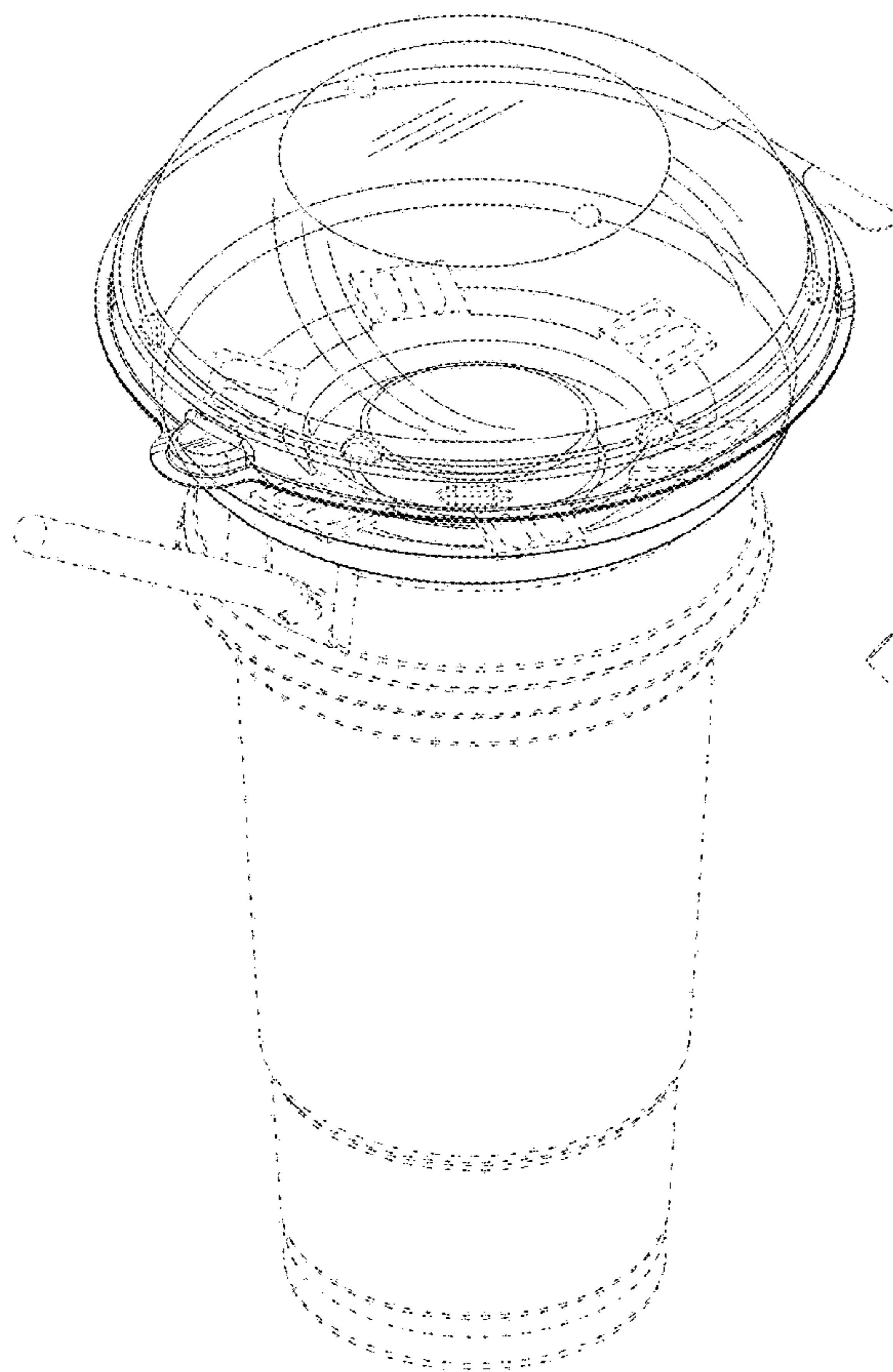


FIG. 3

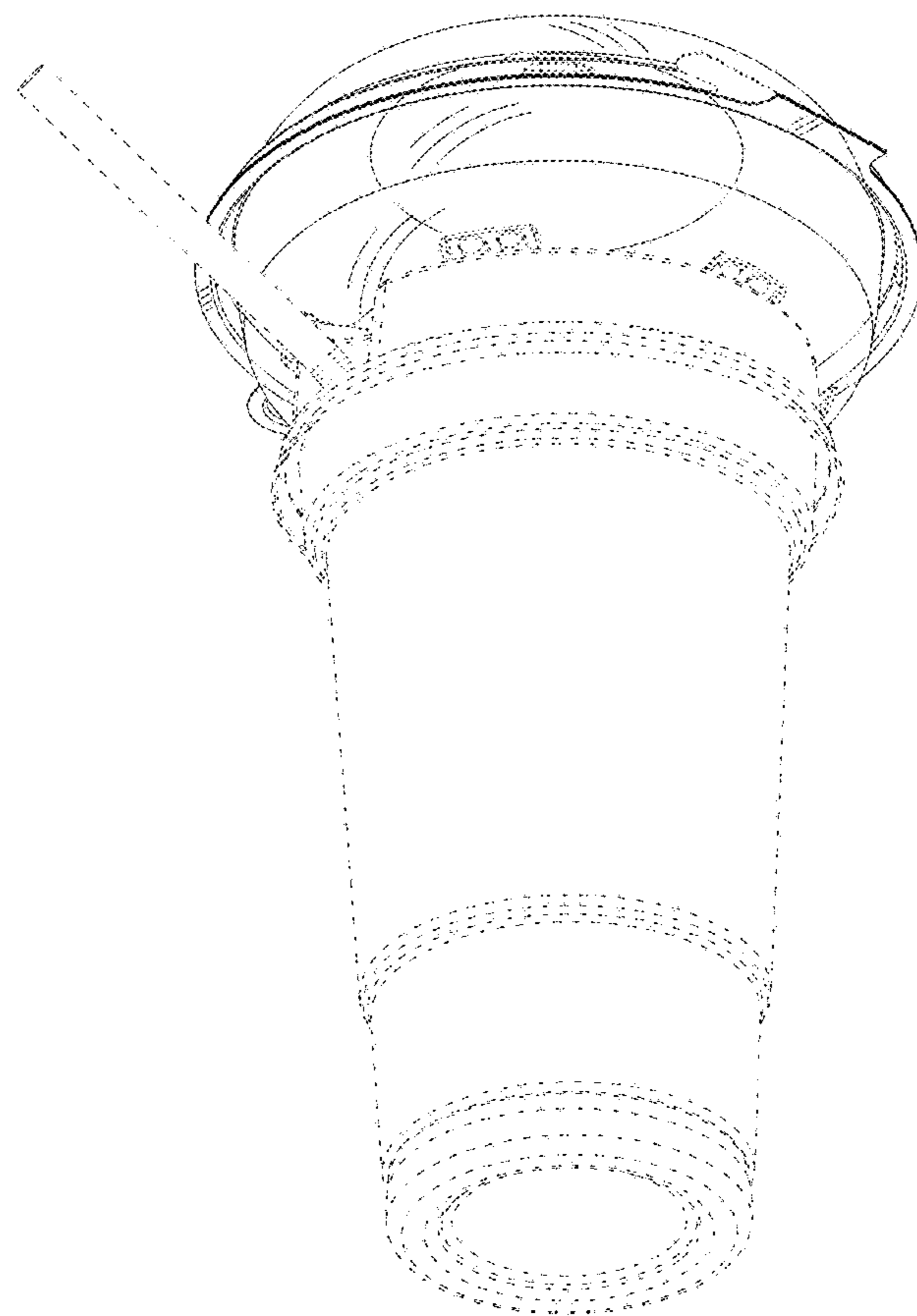
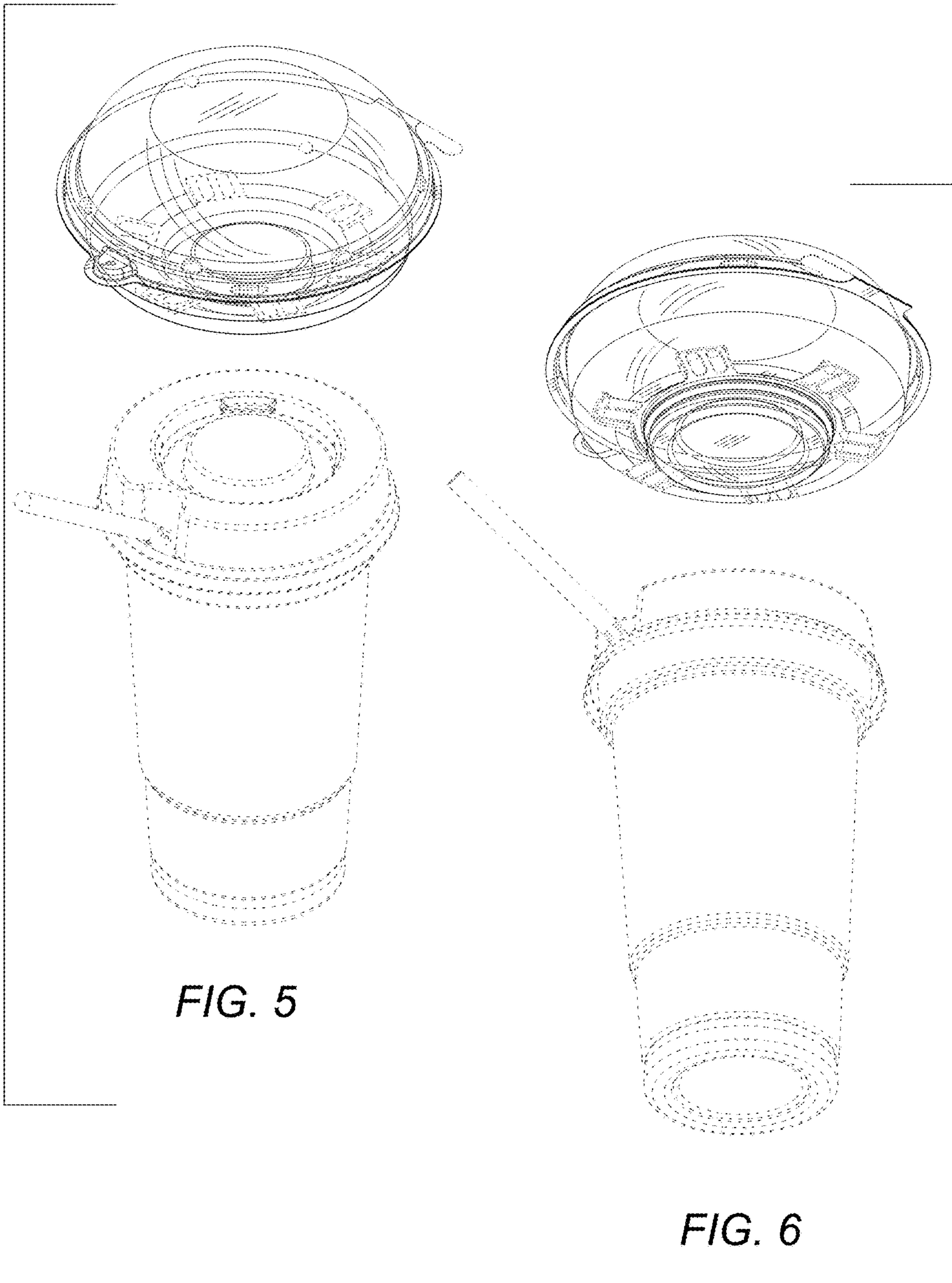


FIG. 4



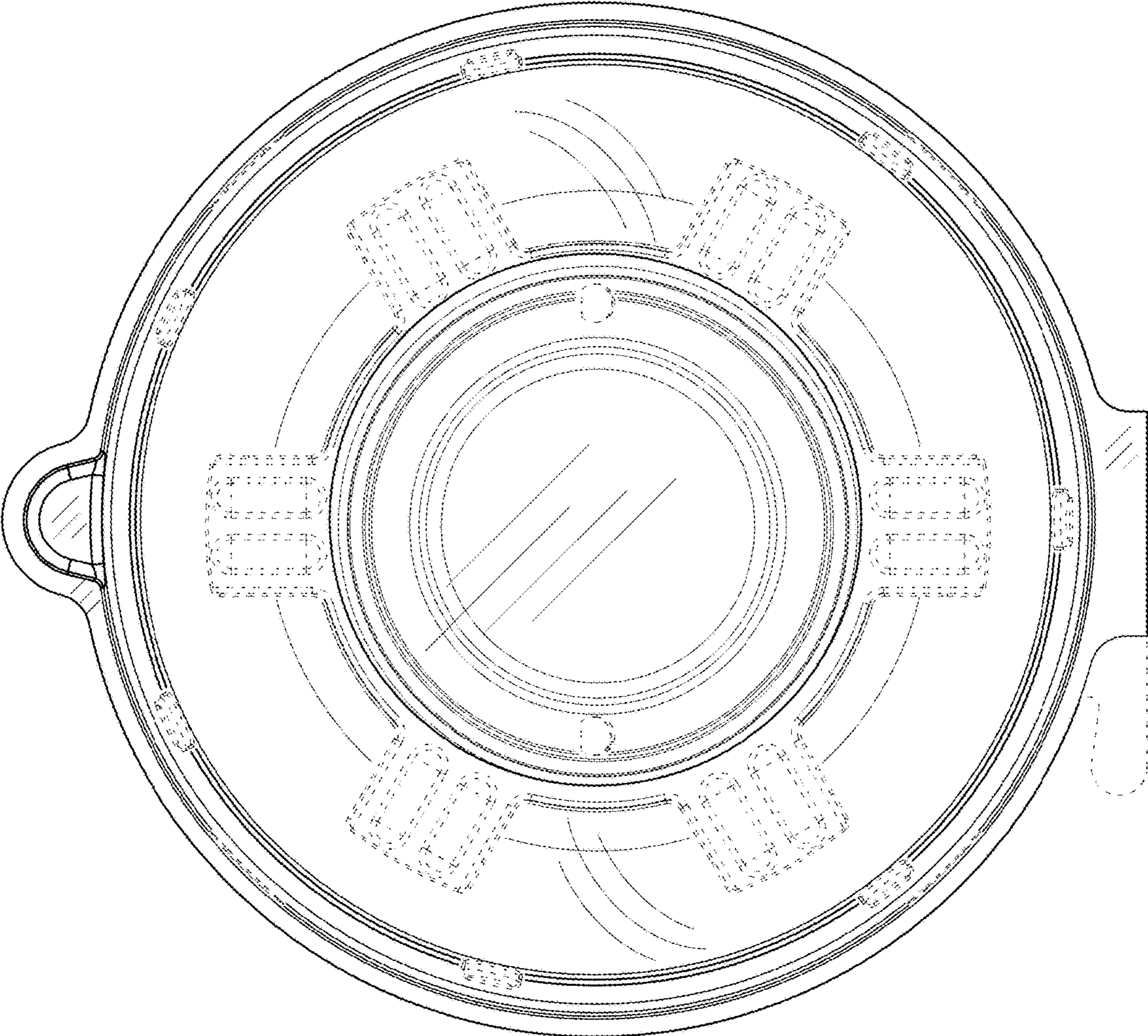


FIG. 7

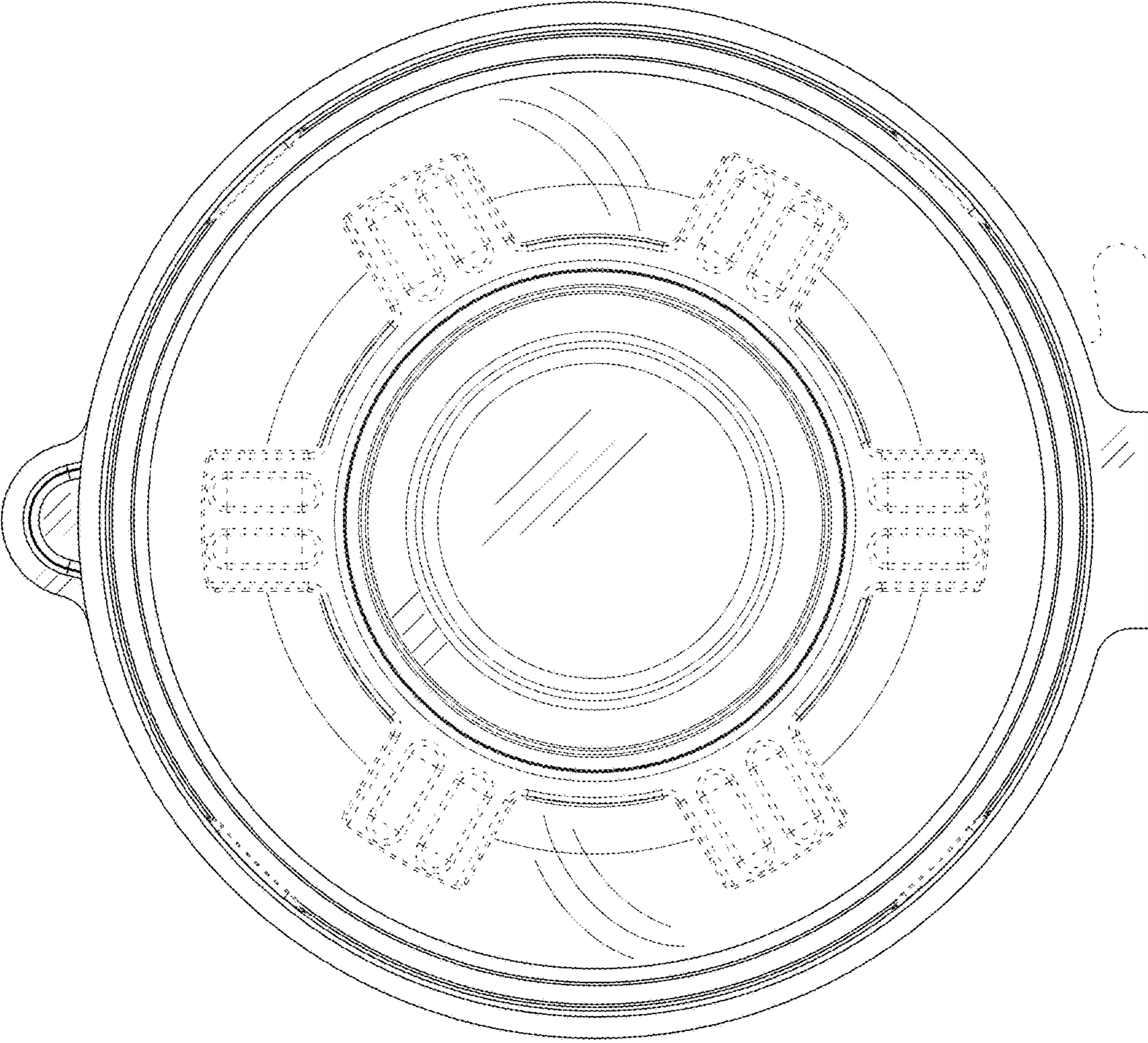


FIG. 8

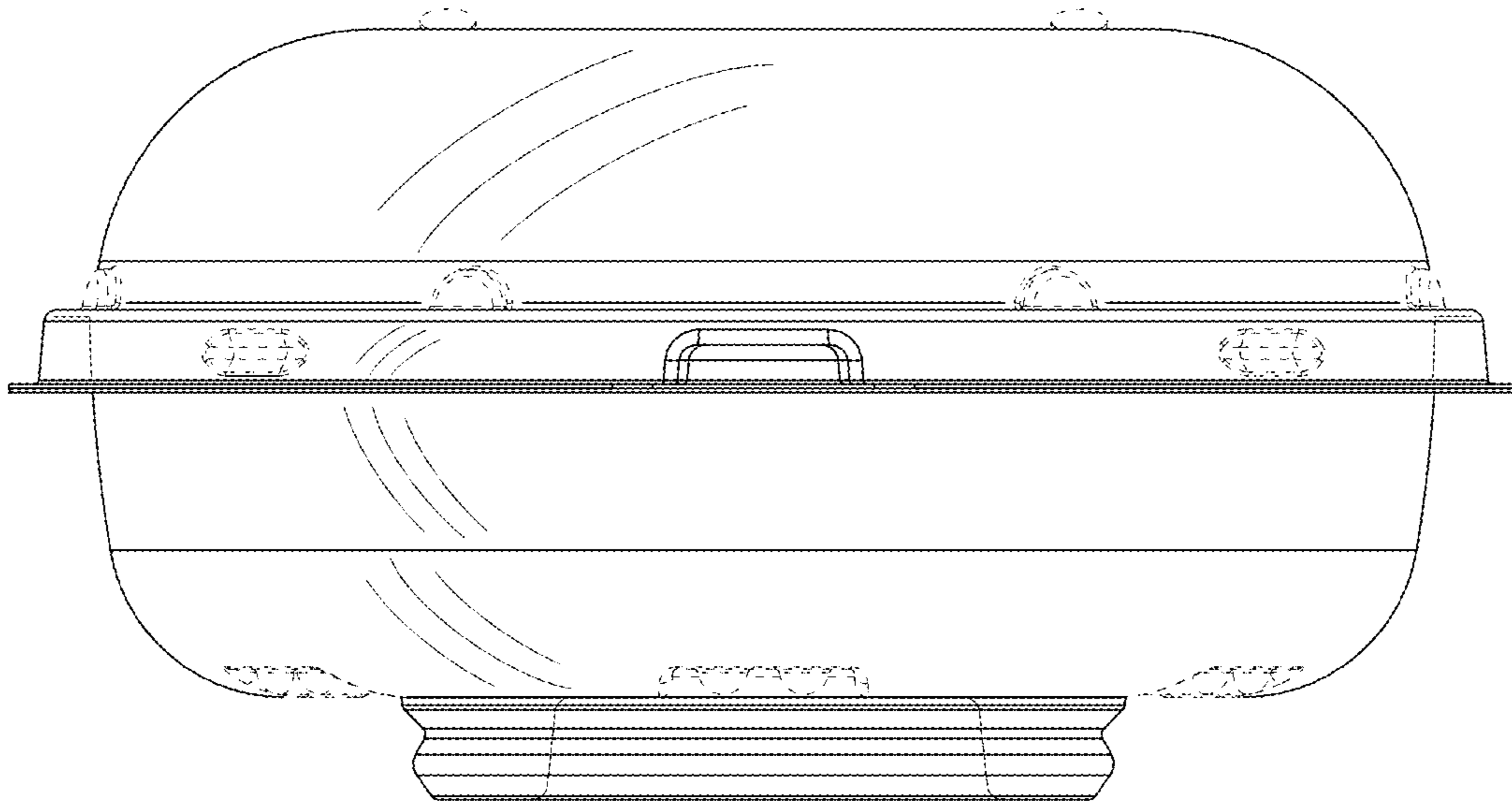


FIG. 9

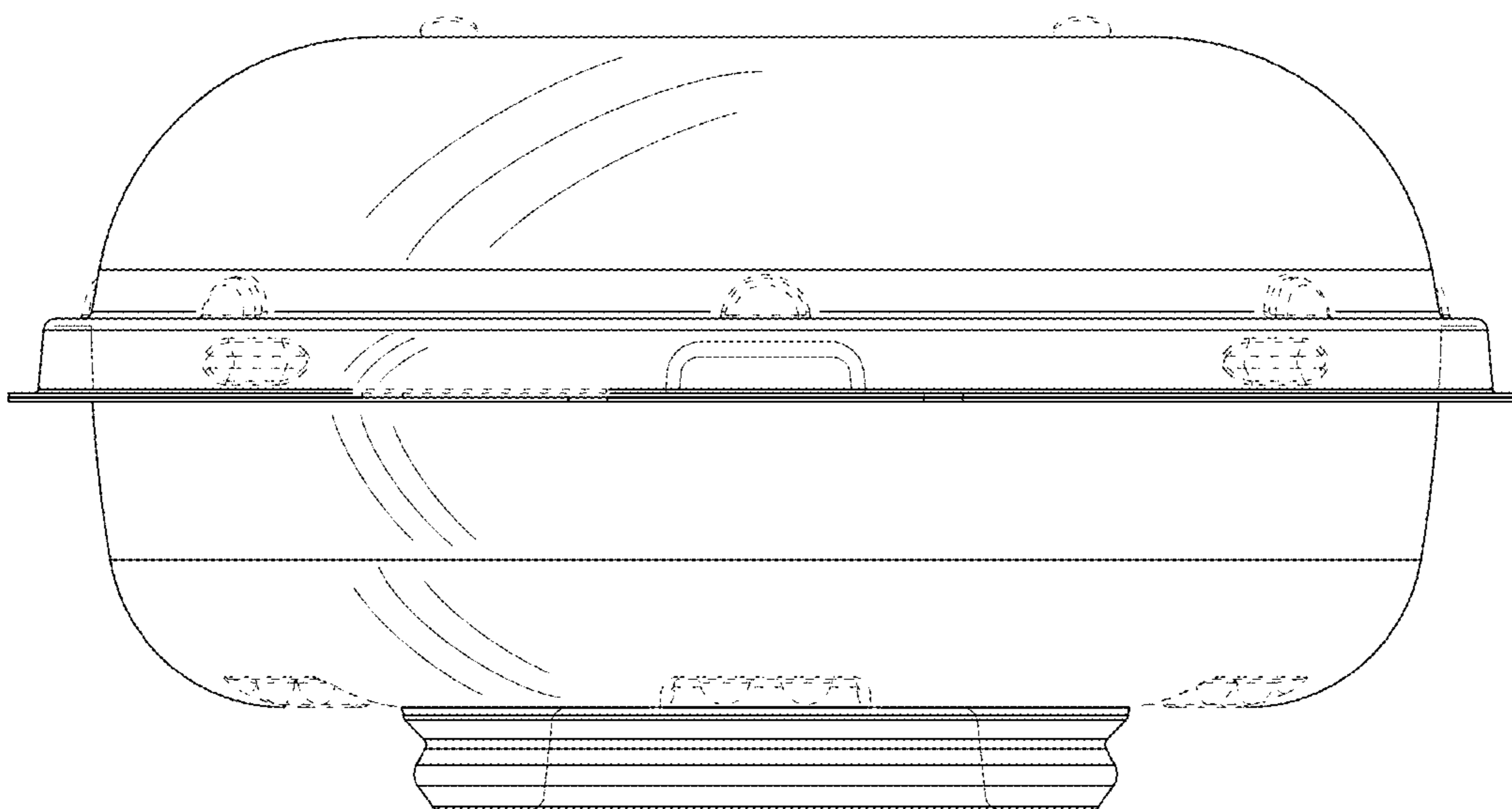


FIG. 10



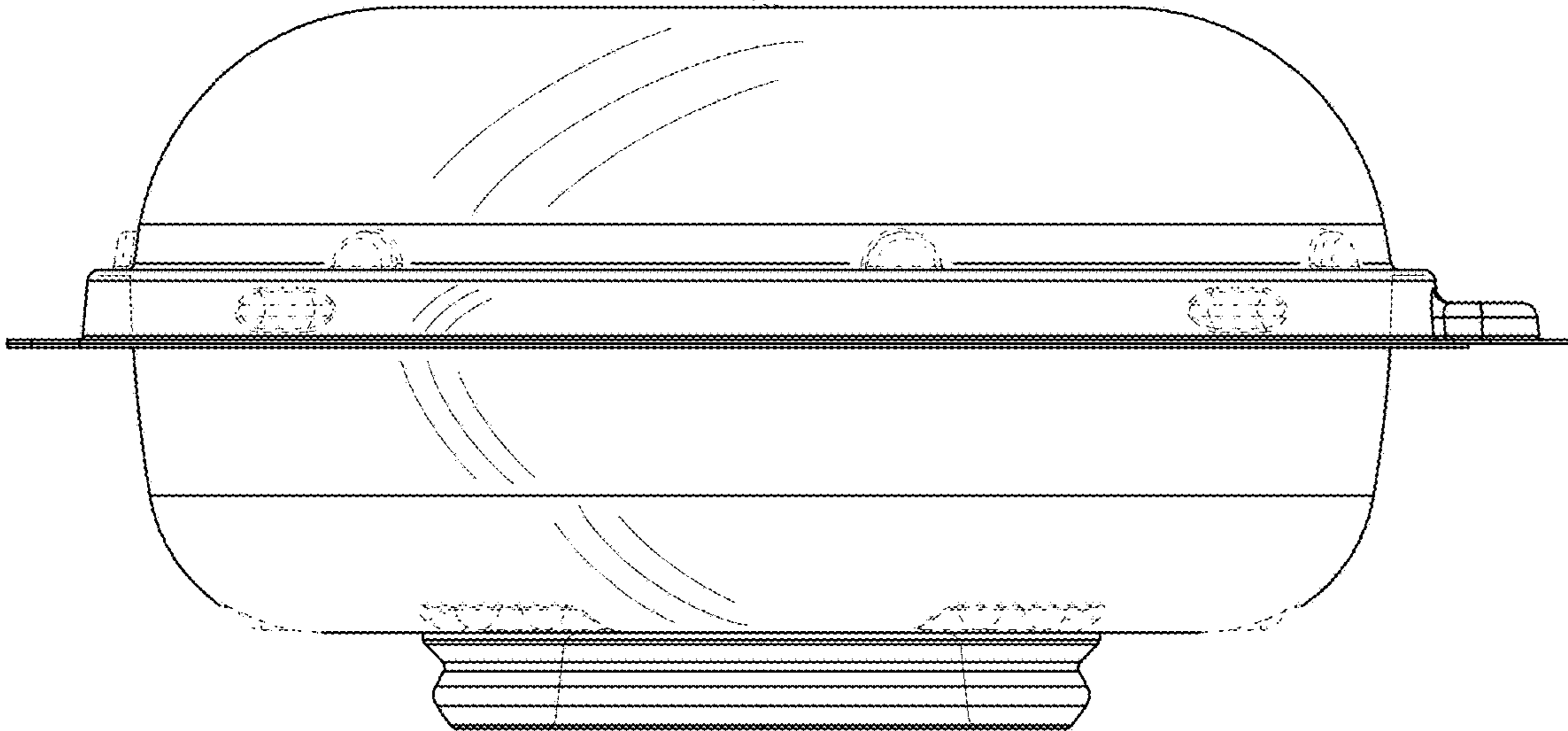


FIG. 11

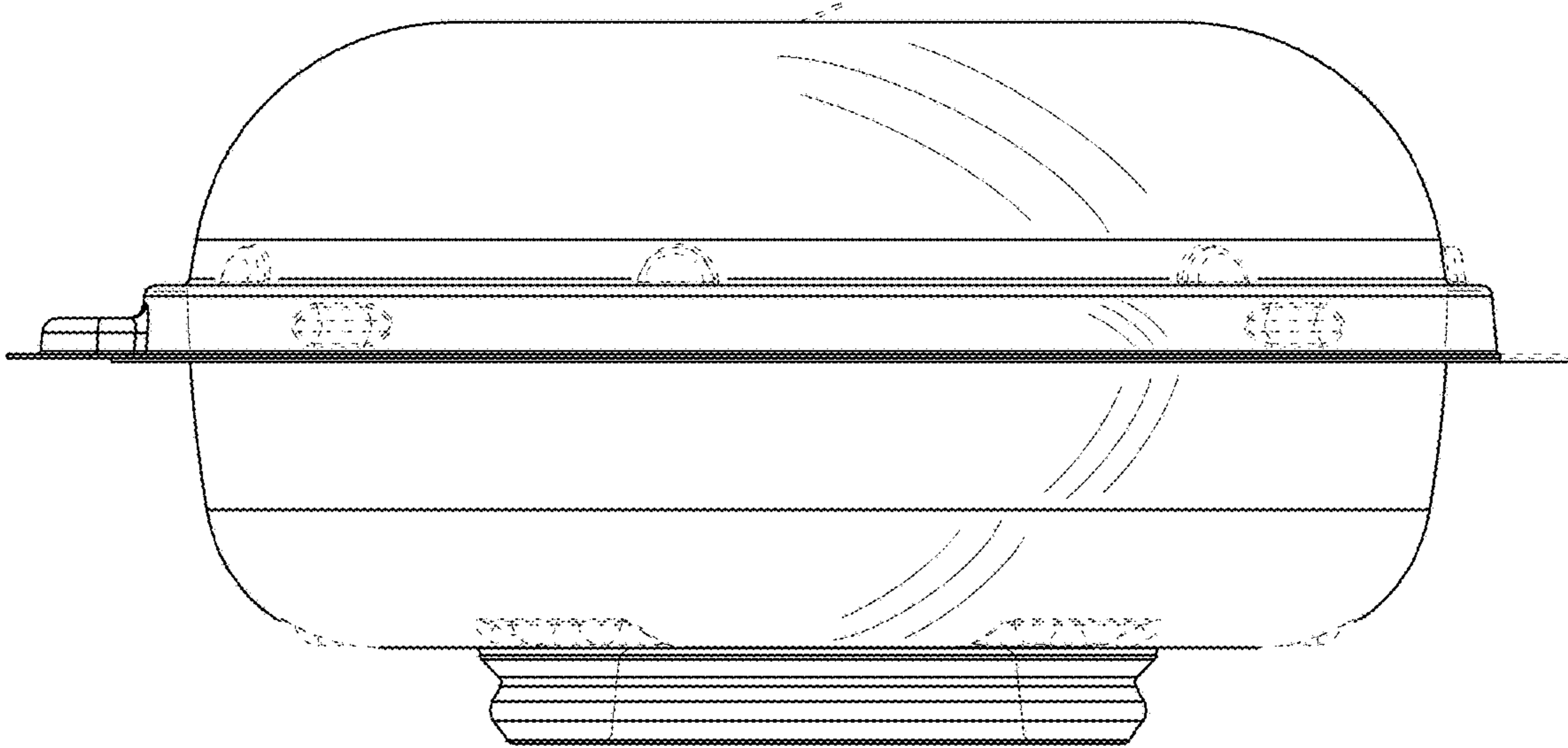


FIG. 12