



US00D796316S

(12) **United States Design Patent**
Hiep

(10) **Patent No.:** **US D796,316 S**

(45) **Date of Patent:** **** Sep. 5, 2017**

(54) **STORAGE DEVICE BLISTER TRAY**

7,255,230 B1 * 8/2007 Appelbaum B65D 73/0057
206/463

(71) Applicant: **SanDisk Technologies Inc.**, Plano, TX
(US)

D592,947 S * 5/2009 Neves D9/415

8,091,704 B2 * 1/2012 Trigg B65D 75/366
206/467

(72) Inventor: **Solivan Hiep**, San Jose, CA (US)

D693,695 S * 11/2013 Limback D9/652

D703,545 S * 4/2014 Limback D9/422

(73) Assignee: **Sandisk Technologies LLC**, Plano, TX
(US)

8,813,959 B2 * 8/2014 Hansen B65D 73/0092
206/467

2006/0027480 A1 * 2/2006 Buss B65D 75/327
206/532

(**) Term: **15 Years**

OTHER PUBLICATIONS

(21) Appl. No.: **29/564,232**

“Q-tips Cotton Swabs, 750 count” <http://www.walmart.com/ip/Q-Tips-Cotton-Swabs-750-count/19399928>, dated May 9, 2016, one page.

(22) Filed: **May 11, 2016**

(51) **LOC (10) Cl.** **09-03**

(52) **U.S. Cl.**
USPC **D9/415**

(58) **Field of Classification Search**
USPC D9/415, 418, 432, 456, 652; D7/602;
D3/901; 206/363, 467, 469, 570
CPC B65D 1/00; B65D 1/34; B65D 5/00; B29L
2031/712; B29L 2031/723; B29L
2031/7146; B29L 2031/7162; B29L
2031/7164; A61J 1/05
See application file for complete search history.

(Continued)

Primary Examiner — Wan Laymon

Assistant Examiner — Clint A Samuel

(74) *Attorney, Agent, or Firm* — Brinks Gilson & Lione

(57) **CLAIM**

The ornamental design for a storage device blister tray, substantially as shown and described.

(56) **References Cited**

DESCRIPTION

U.S. PATENT DOCUMENTS

D292,776 S *	11/1987	Cugley	D9/415
D296,988 S *	8/1988	Yamada	D9/415
D325,526 S *	4/1992	Deguchi	D9/415
D327,425 S *	6/1992	Hamada	D9/415
D420,905 S *	2/2000	Adkins	D9/415
6,024,222 A *	2/2000	Friberg	B65D 75/38 206/469
D423,928 S *	5/2000	Kumakura	D9/415
D438,104 S *	2/2001	Hacker	D9/415
6,578,711 B1 *	6/2003	Chou	B65D 73/0014 206/340
D479,126 S *	9/2003	Kumakura	D9/415
D544,788 S *	6/2007	Brittain	D9/415

FIG. 1 is a front perspective view of a storage device blister tray of my new design;

FIG. 2 is a top plan view thereof; a bottom plan view thereof is an identical image;

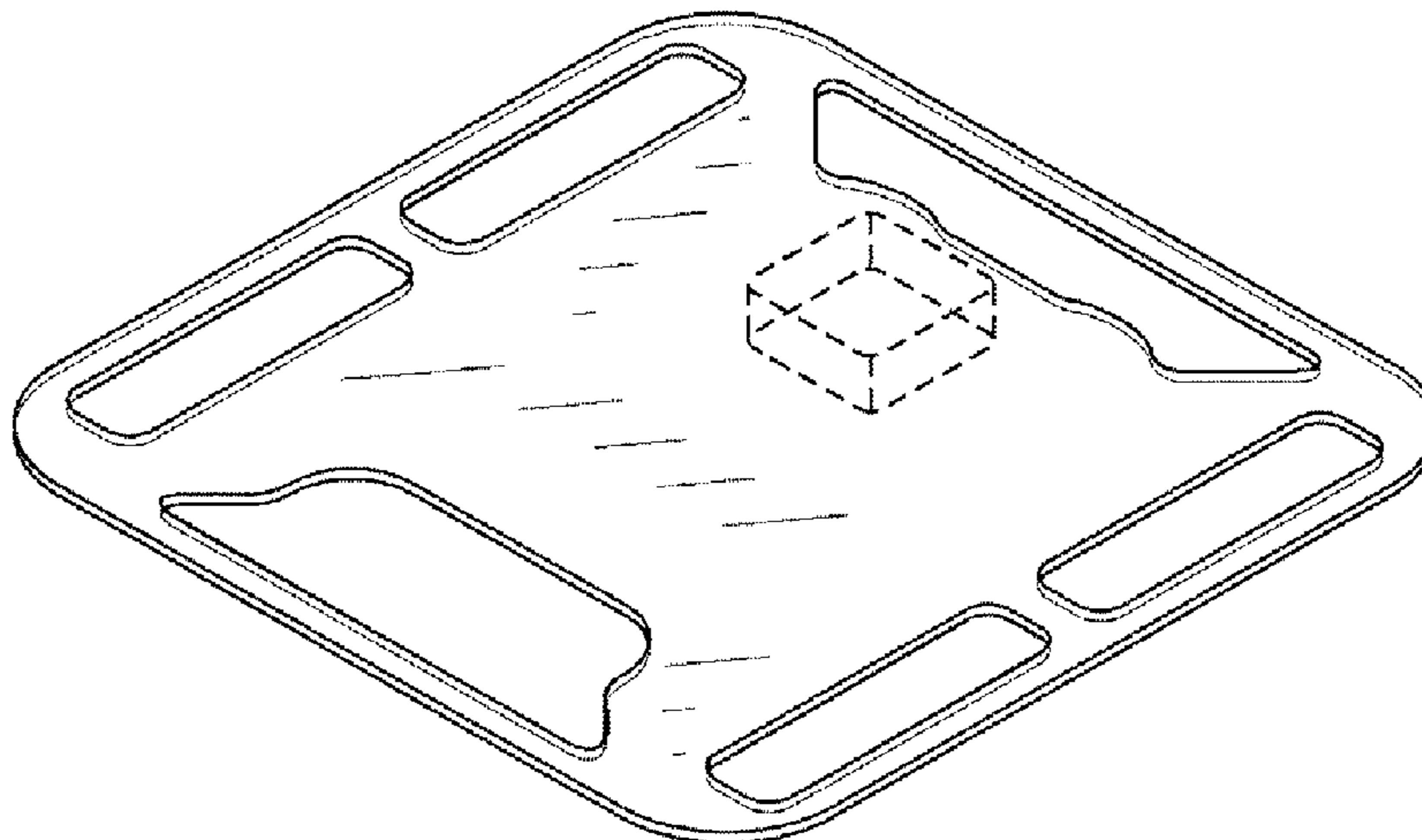
FIG. 3 is a front elevation view thereof; a rear elevation view thereof is an identical image;

FIG. 4 is a left side elevation view thereof; and,

FIG. 5 is a right side elevation view thereof.

The broken lines showing in the drawings are for the purpose of illustrating environmental structure and form no part of the claimed design.

1 Claim, 2 Drawing Sheets



(56)

References Cited

OTHER PUBLICATIONS

U.S. Appl. No. 29/564,228 entitled, "Storage Device Blister Tray",
filed May 11, 2016, 5 pages.

U.S. Appl. No. 29/564,230 entitled, "Storage Device Blister Tray",
filed May 11, 2016, 9 pages.

U.S. Appl. No. 29/564,233 entitled, "Storage Device Blister Tray",
filed May 11, 2016, 5 pages.

Notice of Allowance for U.S. Appl. No. 29/564,228, dated Jan. 25,
2017, 7 pages.

Office Action for U.S. Appl. No. 29/564,230, dated Jan. 25, 2017,
10 pages.

Notice of Allowance for U.S. Appl. No. 29/564,233, dated Jan. 27,
2017, 7 pages.

* cited by examiner

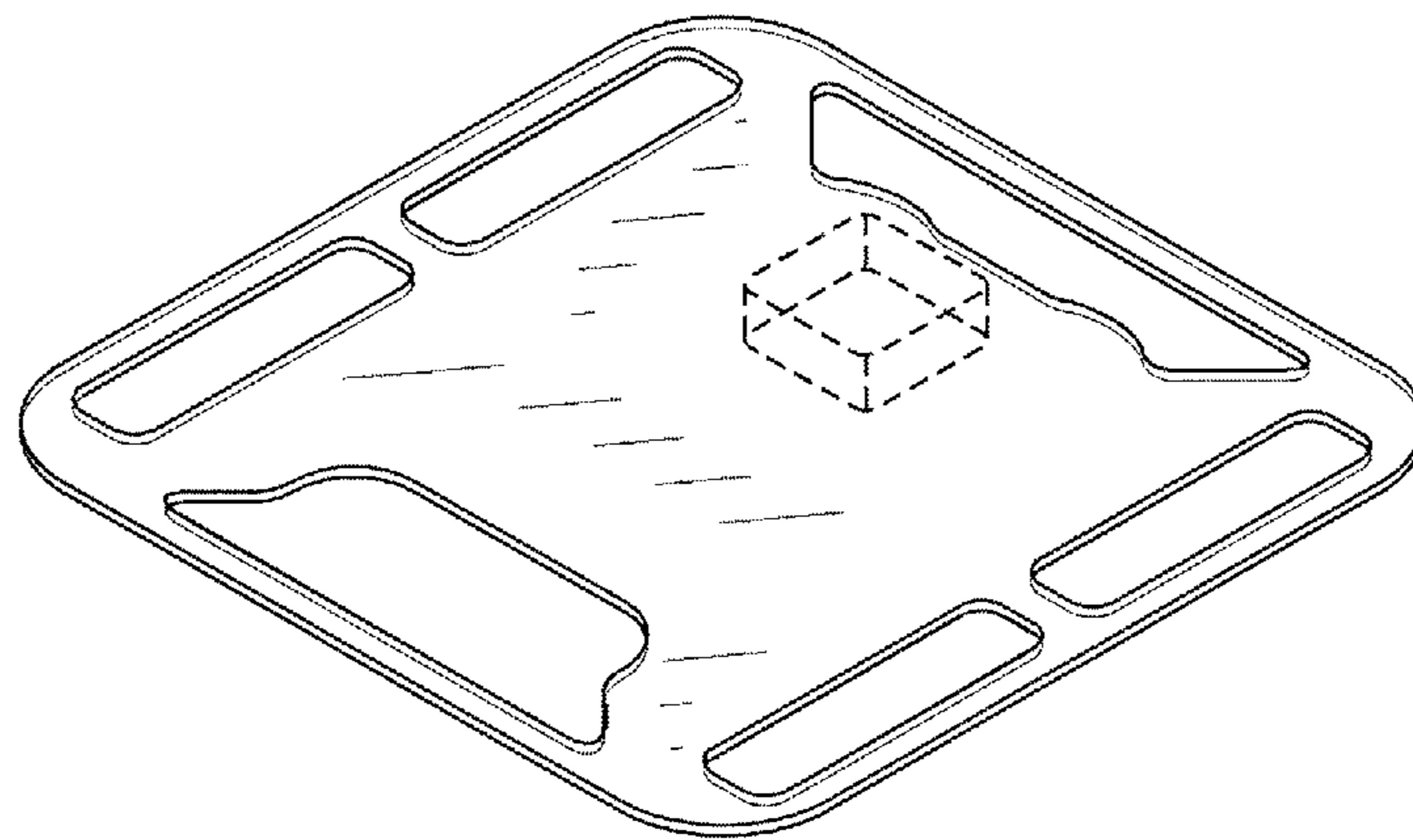


FIG. 1

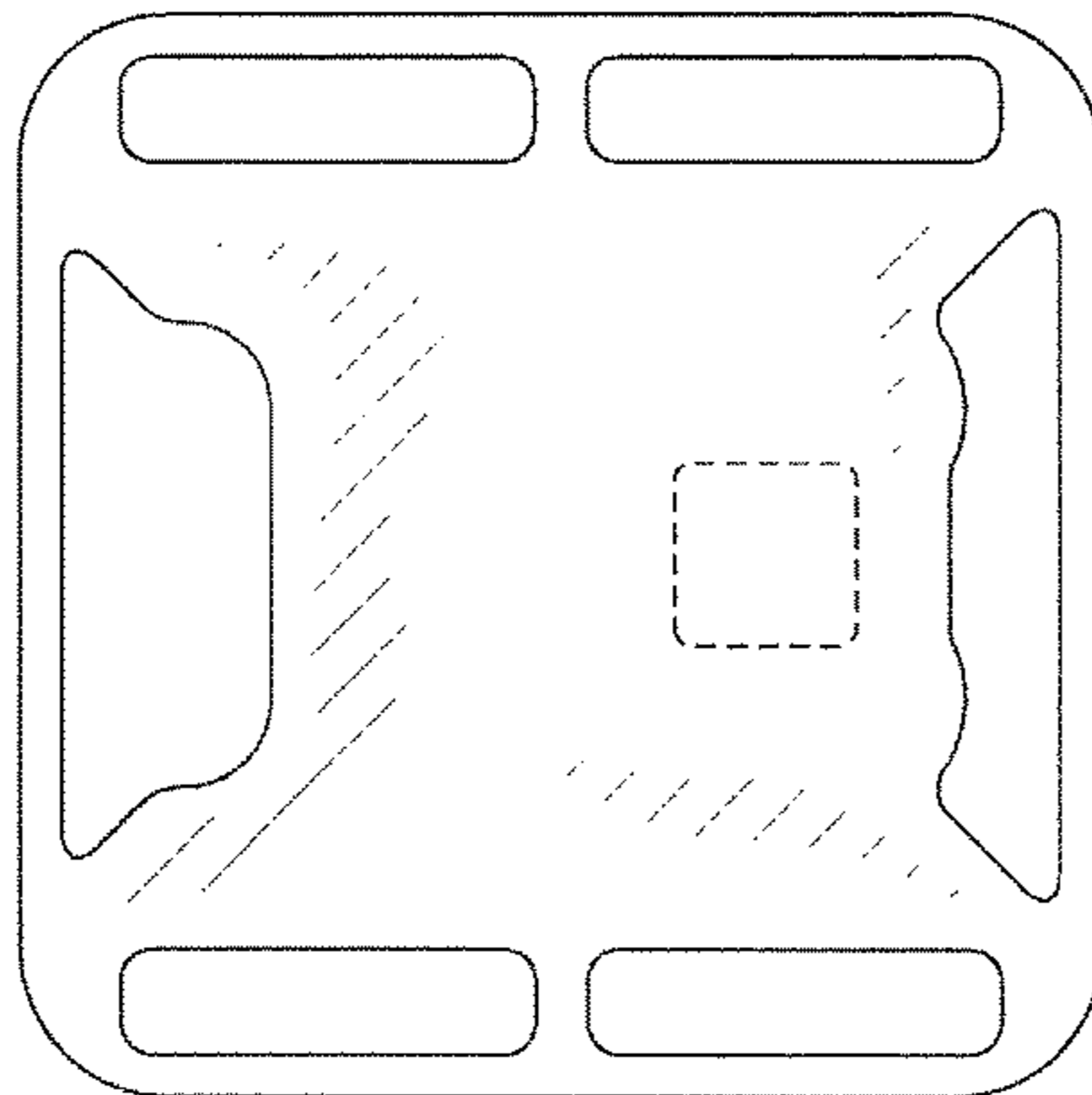


FIG. 2

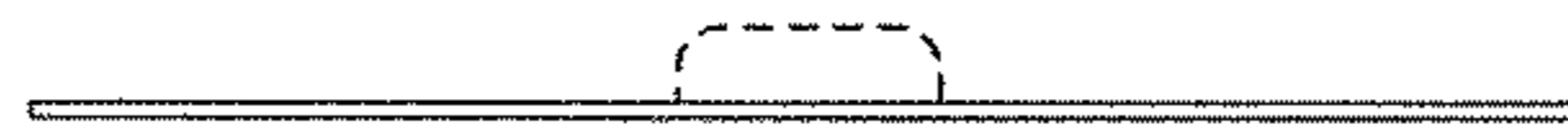


FIG. 3

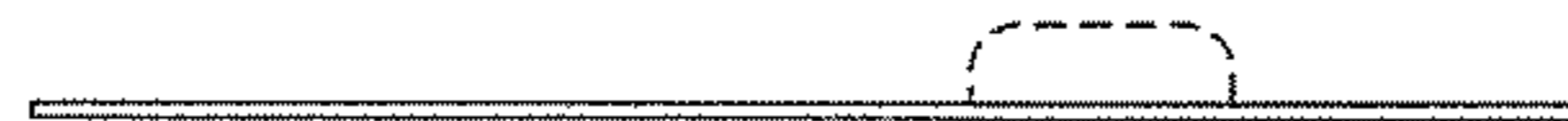


FIG. 4



FIG. 5