



US00D796315S

(12) **United States Design Patent** (10) **Patent No.:** **US D796,315 S**
Hiep (45) **Date of Patent:** **** Sep. 5, 2017**

(54) **STORAGE DEVICE BLISTER TRAY**

(71) Applicant: **SanDisk Technologies Inc.**, Plano, TX (US)

(72) Inventor: **Solivan Hiep**, San Jose, CA (US)

(73) Assignee: **Sandisk Technologies LLC**, Plano, TX (US)

(**) Term: **15 Years**

(21) Appl. No.: **29/564,230**

(22) Filed: **May 11, 2016**

(51) **LOC (10) Cl.** **09-03**

(52) **U.S. Cl.**
USPC **D9/415**

(58) **Field of Classification Search**
USPC D9/415, 418, 432, 456, 652; D7/602;
D3/901; 206/363, 467, 469, 570
CPC B65D 1/00; B65D 1/34; B65D 5/00; B29L
2031/712; B29L 2031/723; B29L
2031/7146; B29L 2031/7162; B29L
2031/7164; A61J 1/05
See application file for complete search history.

(56) **References Cited**

U.S. PATENT DOCUMENTS

D292,776	S	*	11/1987	Cugley	D9/415
D296,988	S	*	8/1988	Yamada	D9/415
D325,526	S	*	4/1992	Deguchi	D9/415
D327,425	S	*	6/1992	Hamada	D9/415
D420,905	S	*	2/2000	Adkins	D9/415
6,024,222	A	*	2/2000	Friberg	B65D 75/38 206/469
D423,928	S	*	5/2000	Kumakura	D9/415
D438,104	S	*	2/2001	Hacker	D9/415
6,578,711	B1	*	6/2003	Chou	B65D 73/0014 206/340
D479,126	S	*	9/2003	Kumakura	D9/415
D544,788	S	*	6/2007	Brittain	D9/415

7,255,230	B1	*	8/2007	Appelbaum	B65D 73/0057 206/463
D592,947	S	*	5/2009	Neves	D9/415
8,091,704	B2	*	1/2012	Trigg	B65D 75/366 206/467
D693,695	S	*	11/2013	Limback	D9/652
D703,545	S	*	4/2014	Limback	D9/422
8,813,959	B2	*	8/2014	Hansen	B65D 73/0092 206/467
2006/0027480	A1	*	2/2006	Buss	B65D 75/327 206/532

OTHER PUBLICATIONS

“Q-tips Cotton Swabs, 750 count” <http://www.walmart.com/ip/Q-Tips-Cotton-Swabs-750-count/19399928>, dated May 9, 2016, one page.

(Continued)

Primary Examiner — Wan Laymon
Assistant Examiner — Clint A Samuel
(74) *Attorney, Agent, or Firm* — Brinks Gilson & Lione

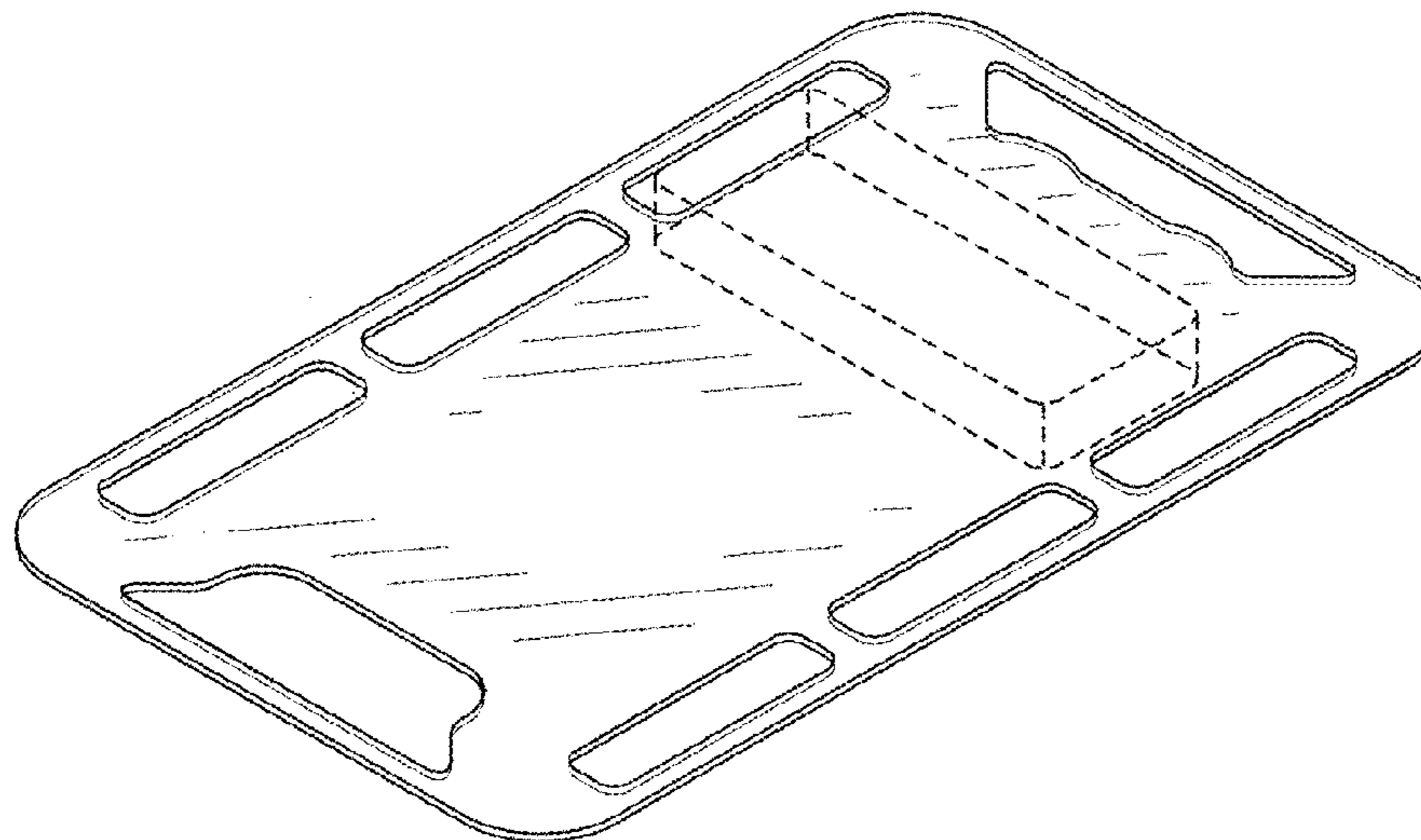
(57) **CLAIM**

The ornamental design for a storage device blister tray, substantially as shown and described.

DESCRIPTION

FIG. 1 is a front perspective view of a storage device blister tray of my new design;
FIG. 2 is a top plan view thereof; a bottom plan view thereof is an identical image;
FIG. 3 is a front elevation view thereof; a rear elevation view thereof is an identical image;
FIG. 4 is a left side elevation view thereof; and,
FIG. 5 is a right side elevation view thereof.
The broken lines showing in the drawings are for the purpose of illustrating environmental structure and form no part of the claimed design.

1 Claim, 2 Drawing Sheets



(56)

References Cited

OTHER PUBLICATIONS

U.S. Appl. No. 29/564,228 entitled, "Storage Device Blister Tray",
filed May 11, 2016, 5 pages.

U.S. Appl. No. 29/564,233 entitled, "Storage Device Blister Tray",
filed May 11, 2016, 5 pages.

U.S. Appl. No. 29/564,232 entitled, "Storage Device Blister Tray",
filed May 11, 2016, 9 pages.

Notice of Allowance for U.S. Appl. No. 29/564,228, dated Jan. 25,
2017, 7 pages.

Office Action for U.S. Appl. No. 29/564,232, dated Jan. 25, 2017,
9 pages.

Notice of Allowance for U.S. Appl. No. 29/564,233, dated Jan. 27,
2017, 7 pages.

* cited by examiner

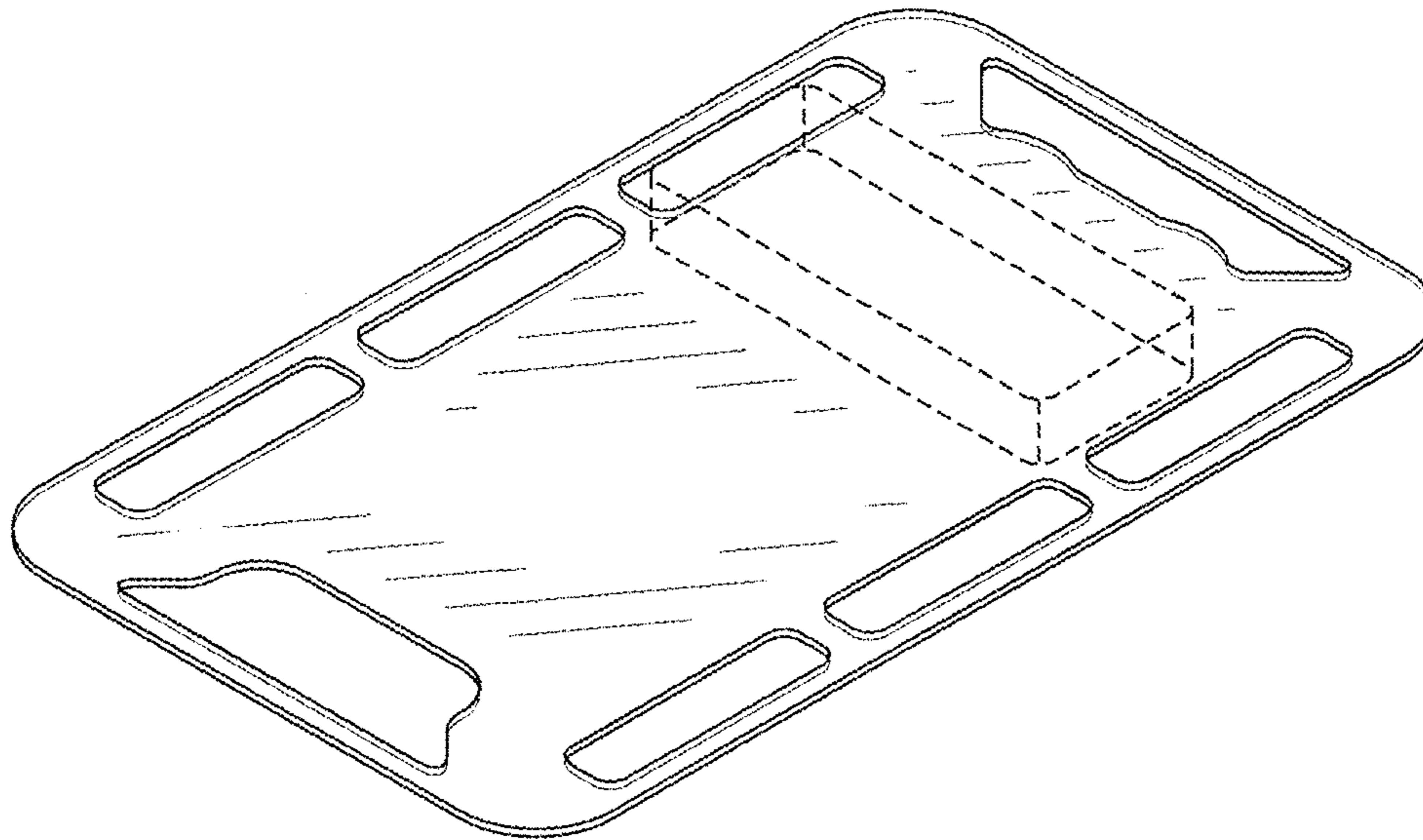


FIG. 1

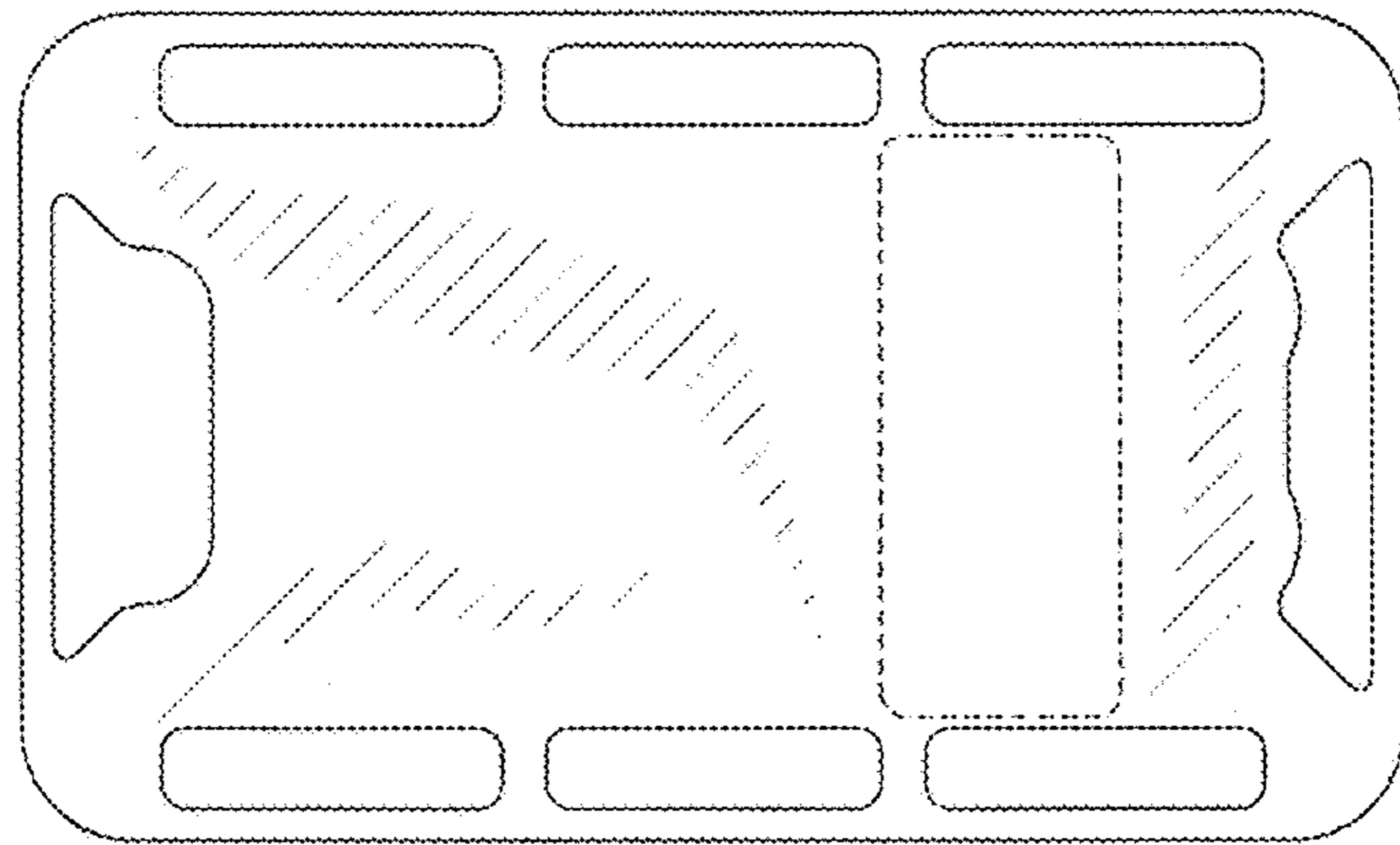


FIG. 2

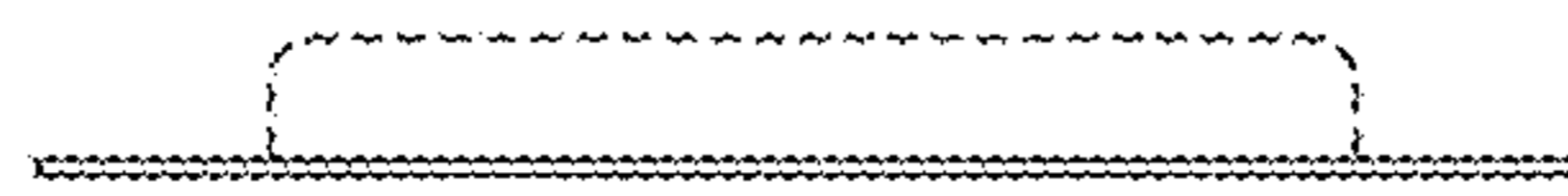


FIG. 3

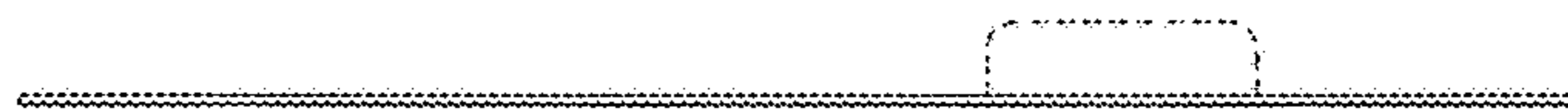


FIG. 4



FIG. 5