



US00D796312S

(12) **United States Design Patent** (10) **Patent No.:** **US D796,312 S**  
**Zappone** (45) **Date of Patent:** **\*\* Sep. 5, 2017**

(54) **EDGE PROTECTOR FOR A BOARD**  
(71) Applicant: **Donald Zappone**, Greensburg, PA (US)  
(72) Inventor: **Donald Zappone**, Greensburg, PA (US)  
(\*\*) Term: **15 Years**  
(21) Appl. No.: **29/528,115**  
(22) Filed: **May 26, 2015**  
(51) **LOC (10) Cl.** ..... **08-09**  
(52) **U.S. Cl.**  
USPC ..... **D8/403**; D25/119  
(58) **Field of Classification Search**  
USPC ..... D25/35, 38.1, 39, 40, 41.1, 42, 43, 44,  
D25/48.3, 48.4, 58, 60, 61, 119-129, 132;  
52/204.1, 204.5, 208, 210, 292-297,  
52/302.1; D8/323, 349, 354-355,  
D8/373-375, 380, 381, 400-403; 49/462;  
267/136, 139, 140; 248/345.1  
CPC . A47B 95/043; Y10T 16/6285; B65D 81/053;  
B65D 81/054; B65D 81/055; B65D  
81/057; B65D 2581/055  
See application file for complete search history.

(56) **References Cited**  
U.S. PATENT DOCUMENTS  
3,869,106 A \* 3/1975 Gregov ..... A47B 95/043  
248/345.1  
4,153,230 A 5/1979 Giacin  
4,582,739 A \* 4/1986 Givens ..... A47B 95/043  
248/345.1  
5,639,072 A \* 6/1997 McCall ..... A47B 95/043  
248/345.1  
D411,739 S \* 6/1999 Havens ..... D8/403  
5,967,314 A 10/1999 McGovern  
6,019,336 A \* 2/2000 Havens ..... A47B 95/043  
248/345.1  
D463,170 S \* 9/2002 Schultz ..... D8/403

6,682,037 B1 \* 1/2004 Ouellette ..... A47B 95/043  
248/345.1  
7,182,993 B1 \* 2/2007 Hamilton ..... A47B 95/043  
248/345.1  
D538,494 S \* 3/2007 Varga ..... D32/42  
D625,595 S \* 10/2010 Park ..... D8/402  
D625,596 S \* 10/2010 Park ..... D8/402  
D715,633 S \* 10/2014 Baker ..... D8/403  
D751,358 S \* 3/2016 Douglas ..... D25/122  
D751,830 S \* 3/2016 Speckhart ..... D6/313  
2014/0116228 A1 \* 5/2014 Johnston ..... G01D 13/06  
84/402

\* cited by examiner

*Primary Examiner* — Cynthia Ramirez  
*Assistant Examiner* — Llorellys Martinez-Rivera  
(74) *Attorney, Agent, or Firm* — The Webb Law Firm

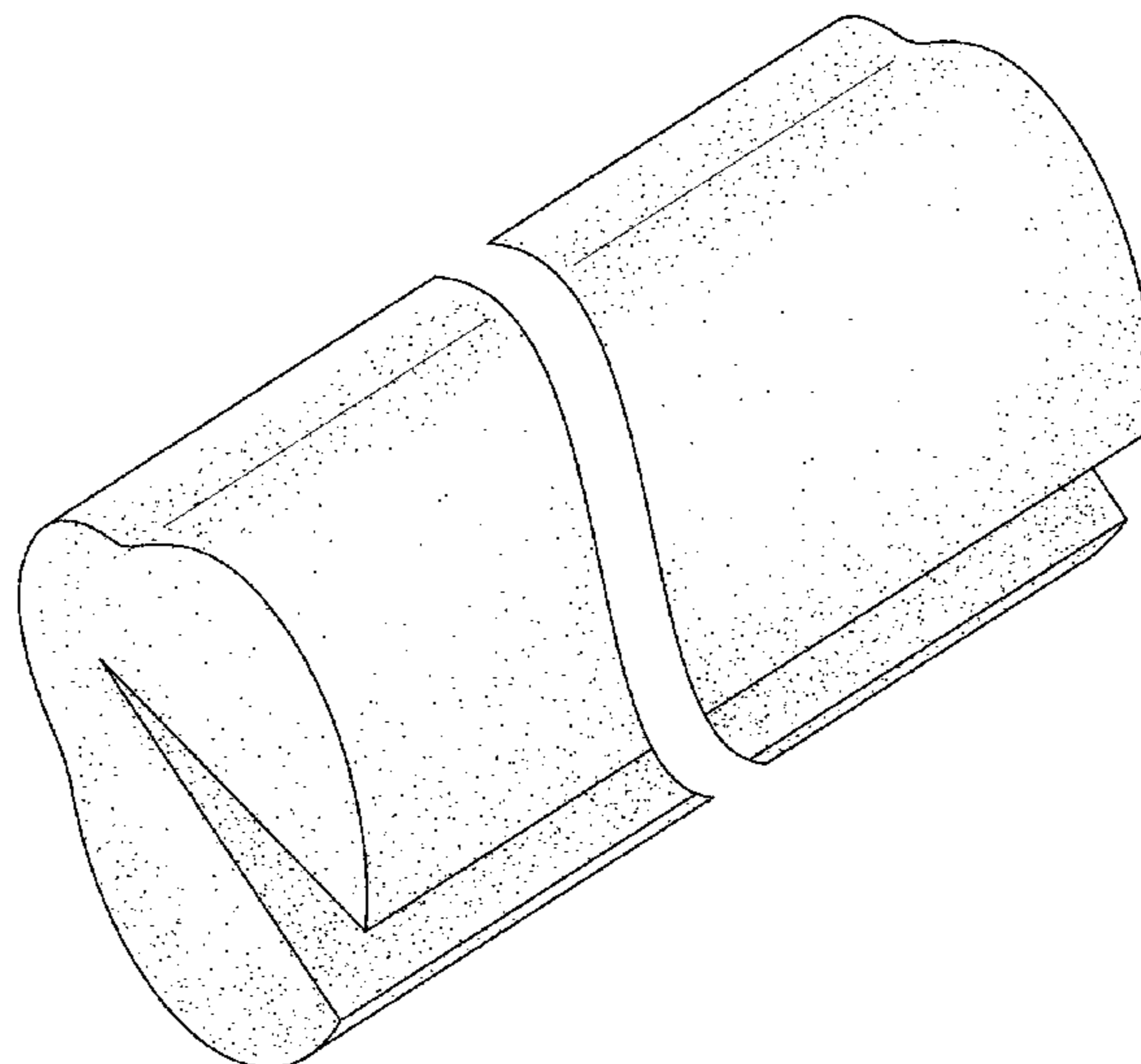
(57) **CLAIM**

The ornamental design for an edge protector for a board, as shown and described.

**DESCRIPTION**

FIG. 1 is a perspective view of an edge protector for a board, showing the design in an open position; FIG. 2 is a front elevation view thereof; FIG. 3 is a rear elevation view thereof; FIG. 4 is a right side elevation view thereof; FIG. 5 is a left side elevation view thereof; FIG. 6 is a top plan view thereof; FIG. 7 is a bottom plan view thereof; and, FIG. 8 is a perspective view thereof, showing the edge protector for a board in an environment of use. The edge protector for a board, is shown with a symbolic break in its length. The appearance of any portion of the edge protector for a board between the break lines forms no part of the claimed design. The broken lines shown in FIG. 8 represent environmental subject matter only and form no part of the claimed design.

**1 Claim, 5 Drawing Sheets**



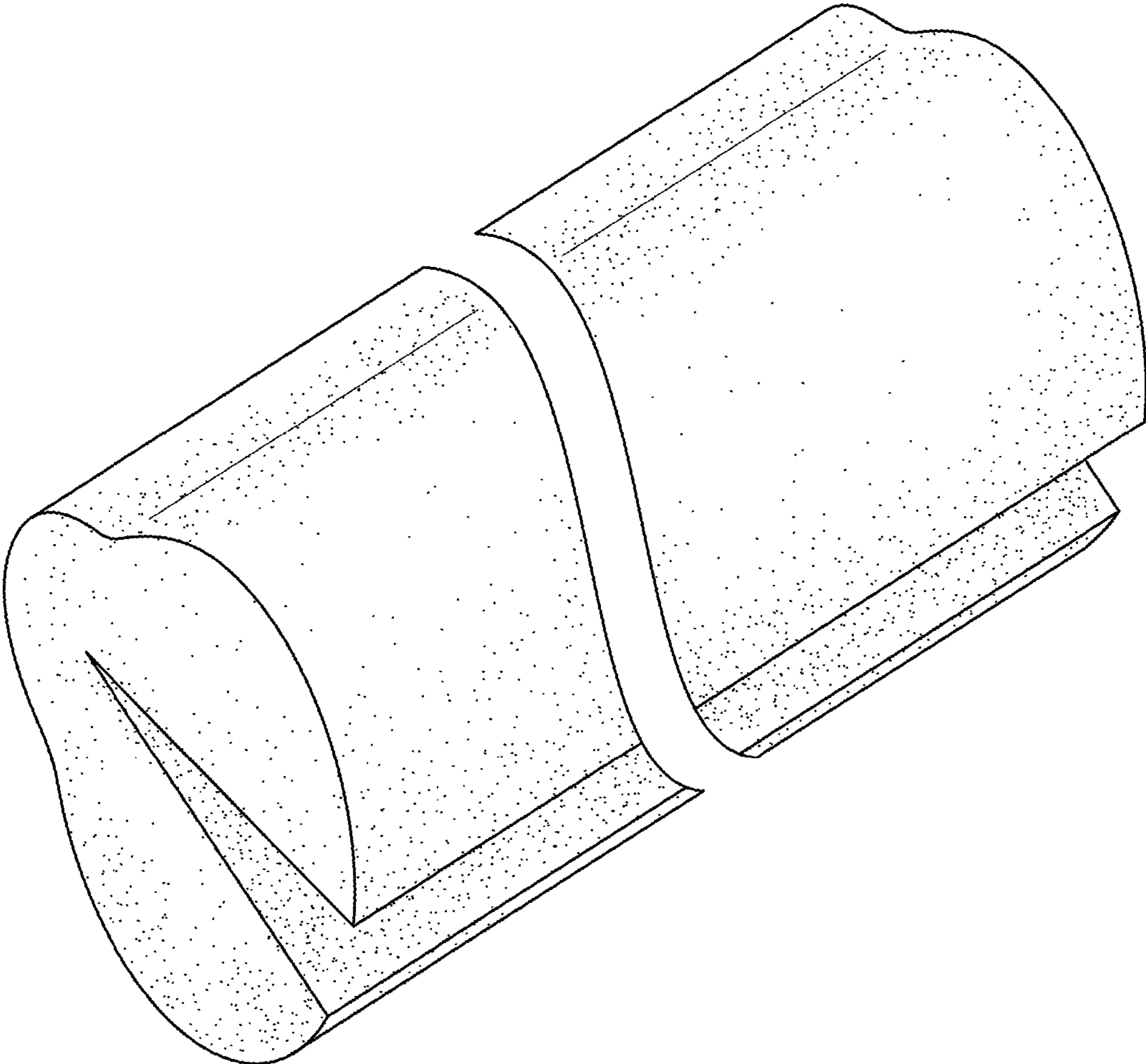


FIG. 1

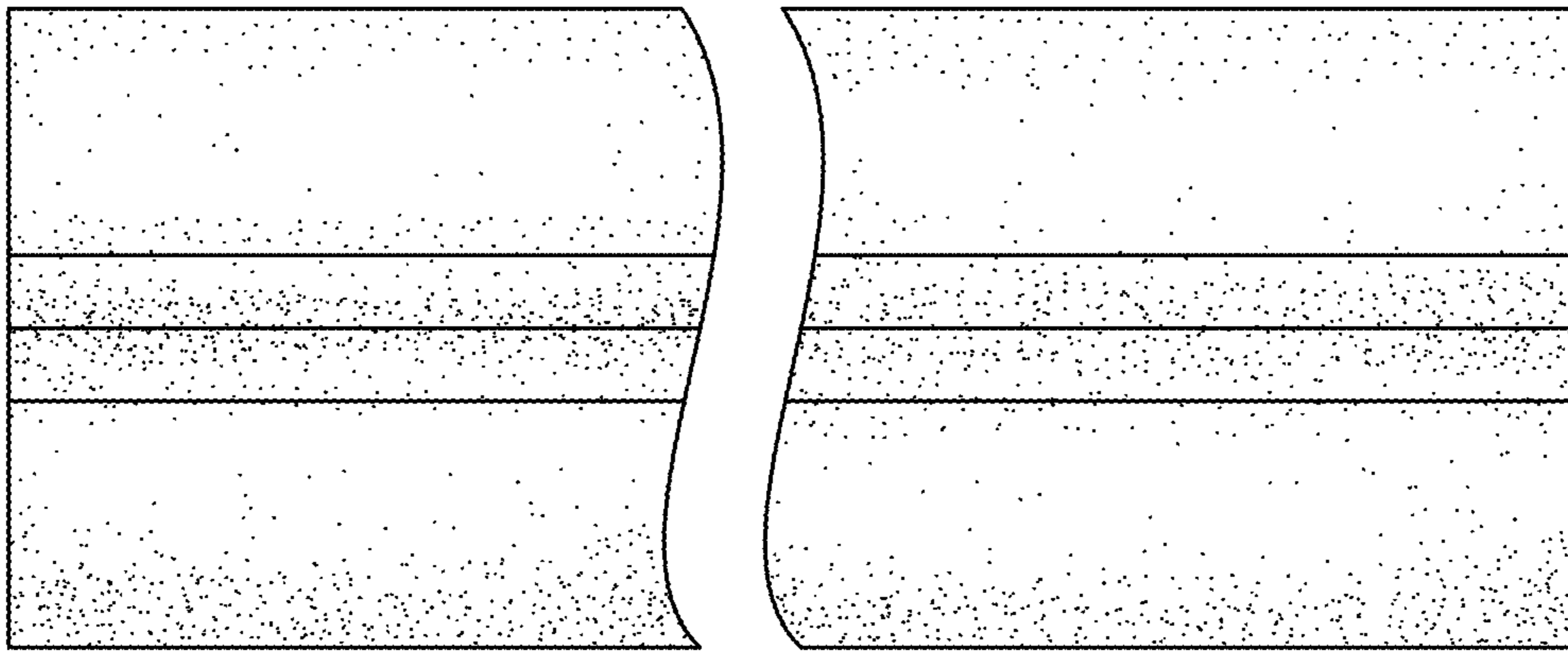


FIG. 2

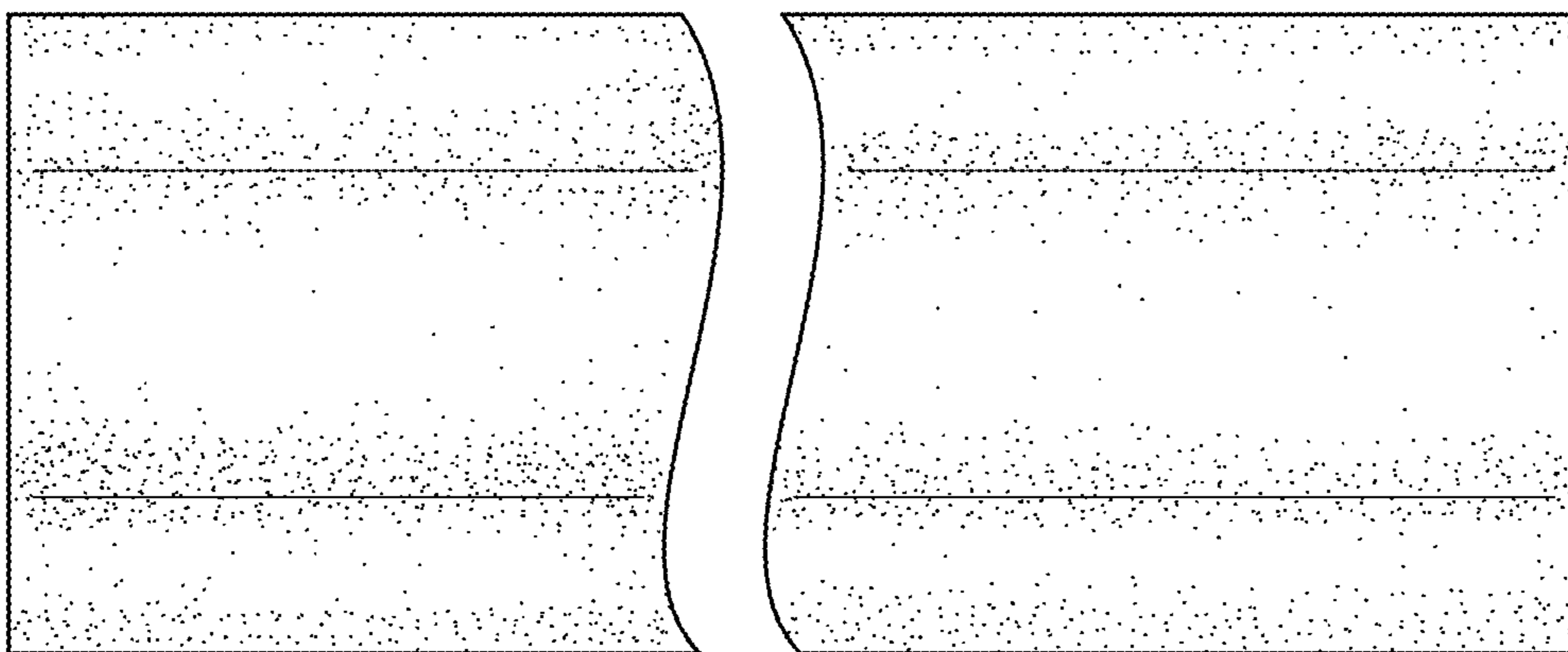


FIG. 3

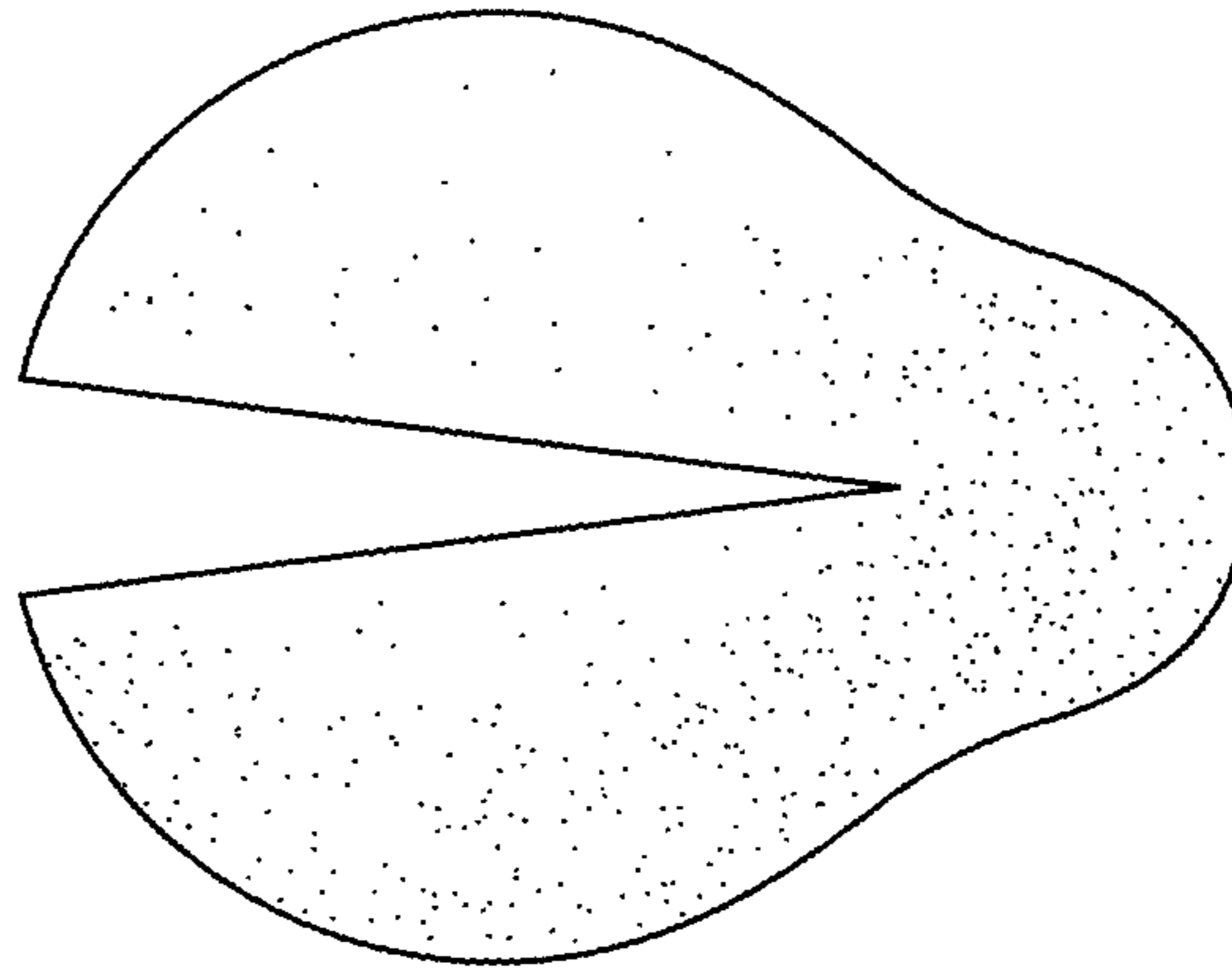


FIG. 4

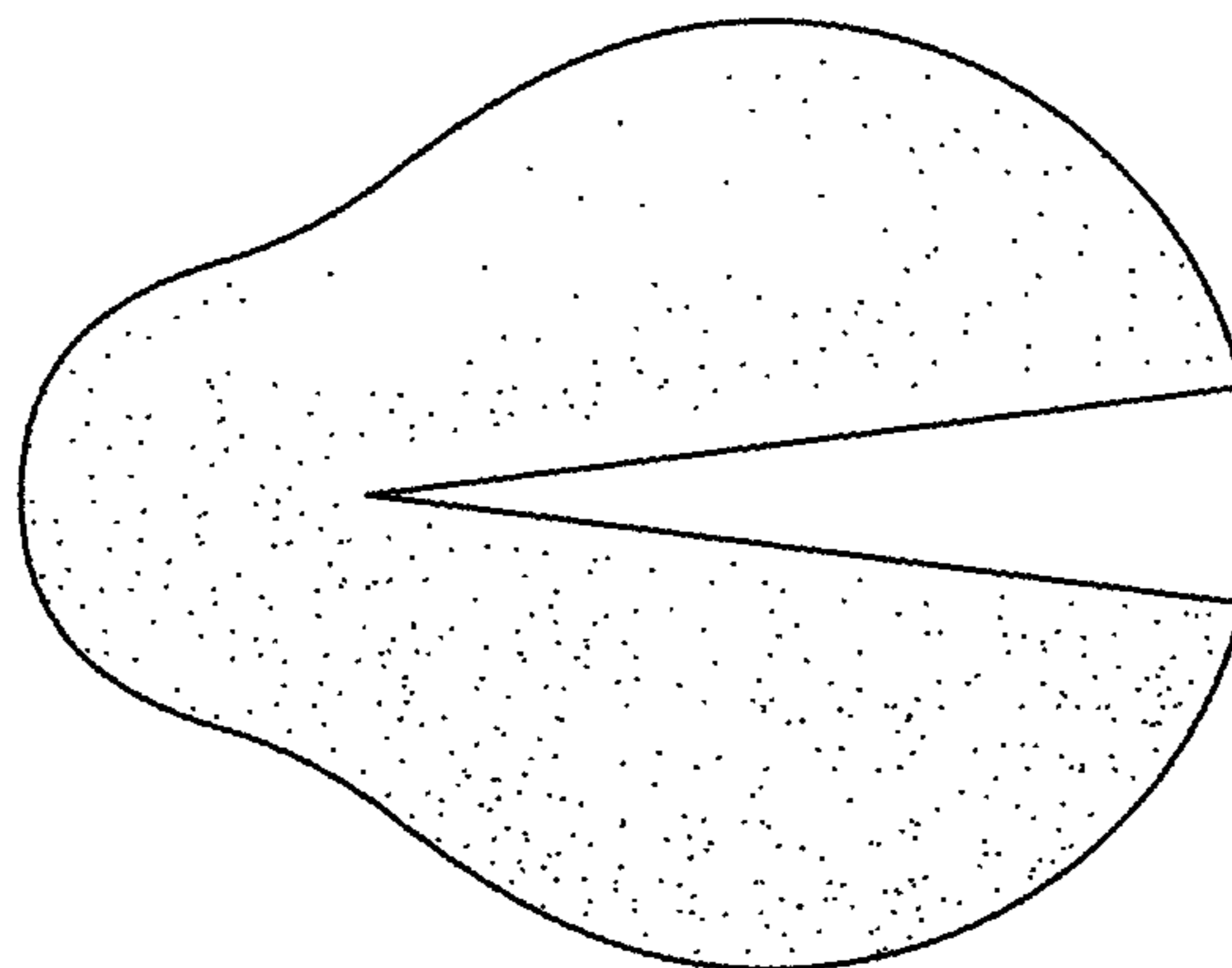


FIG. 5

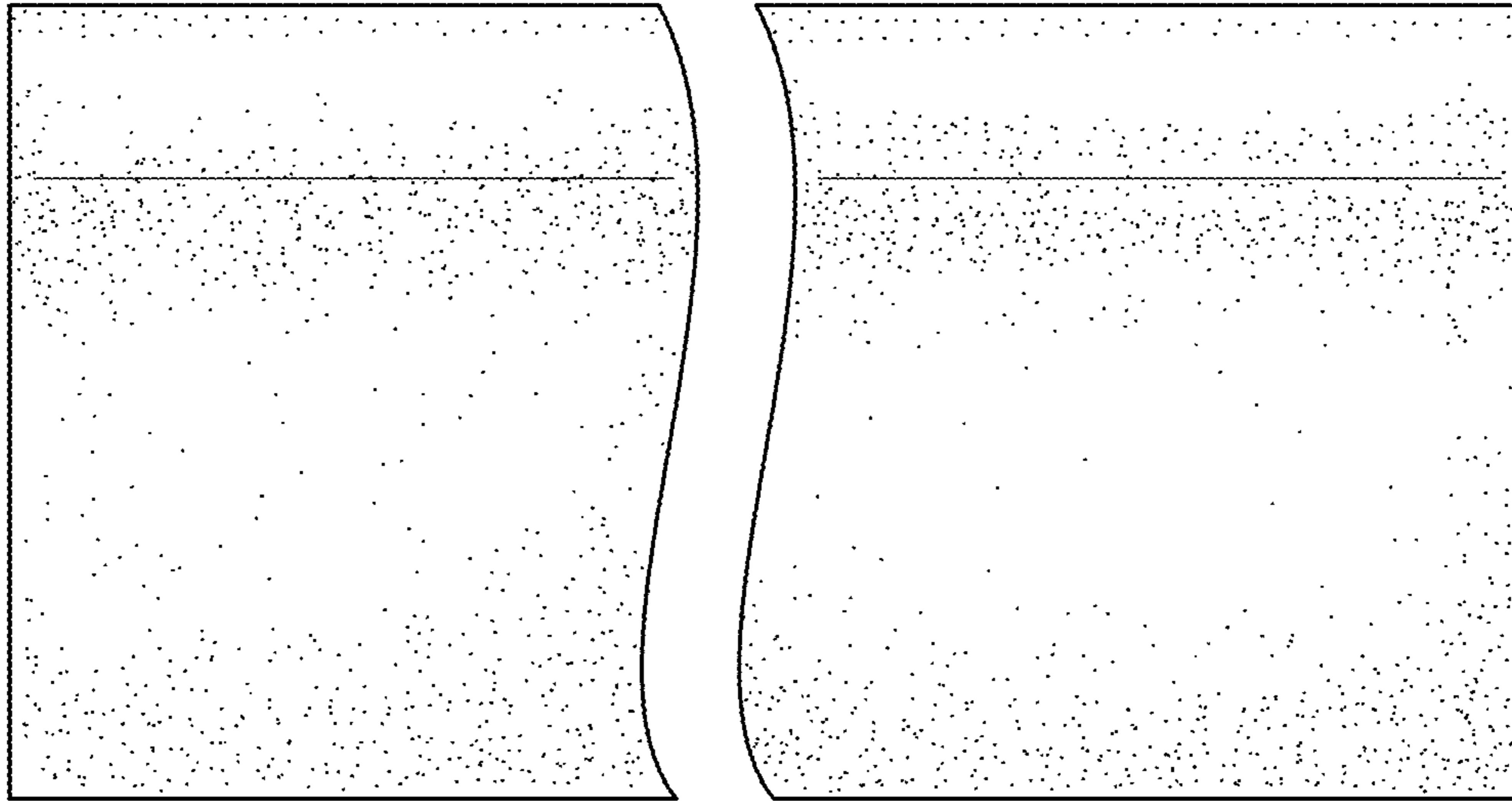


FIG. 6

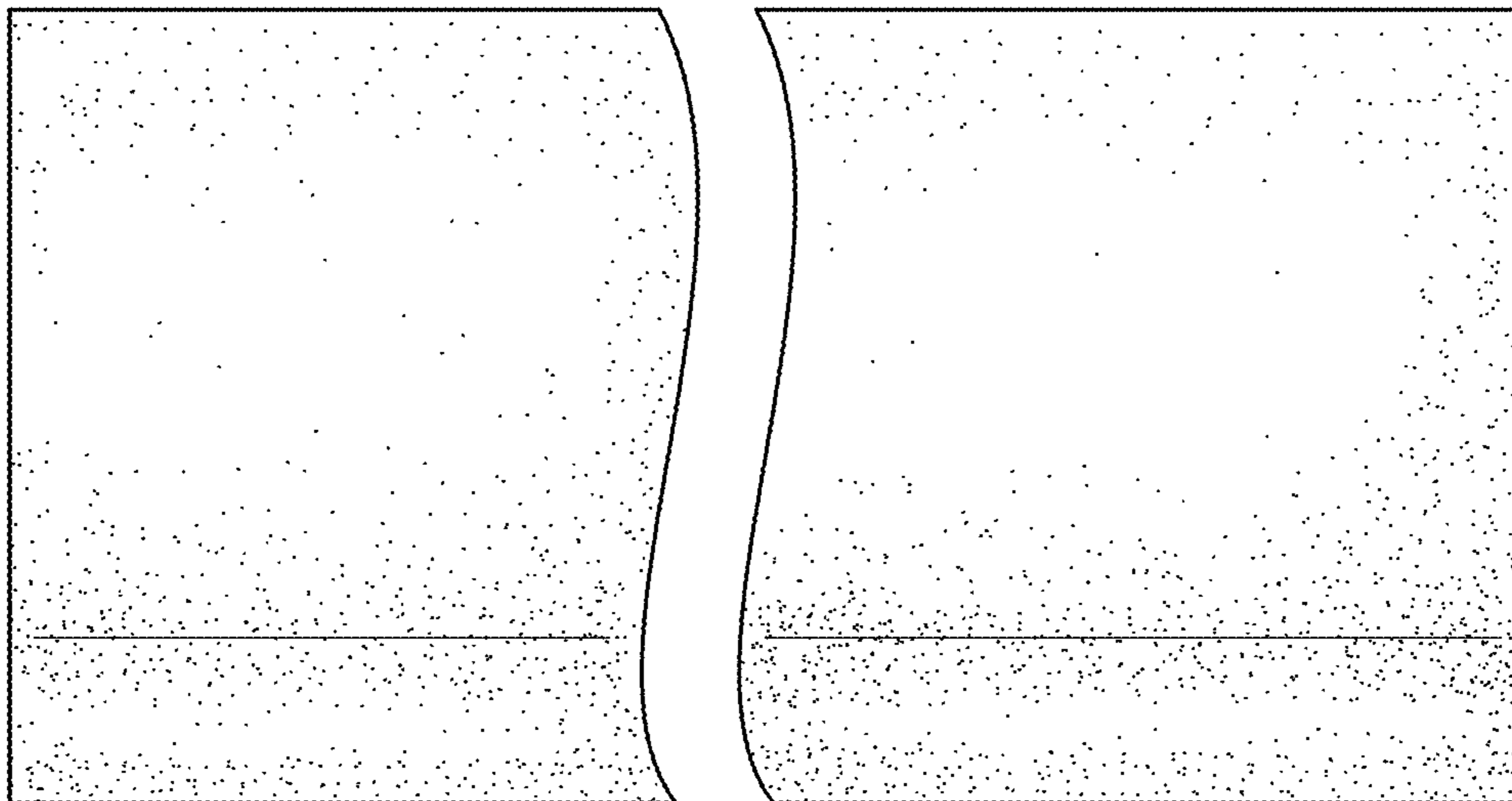


FIG. 7

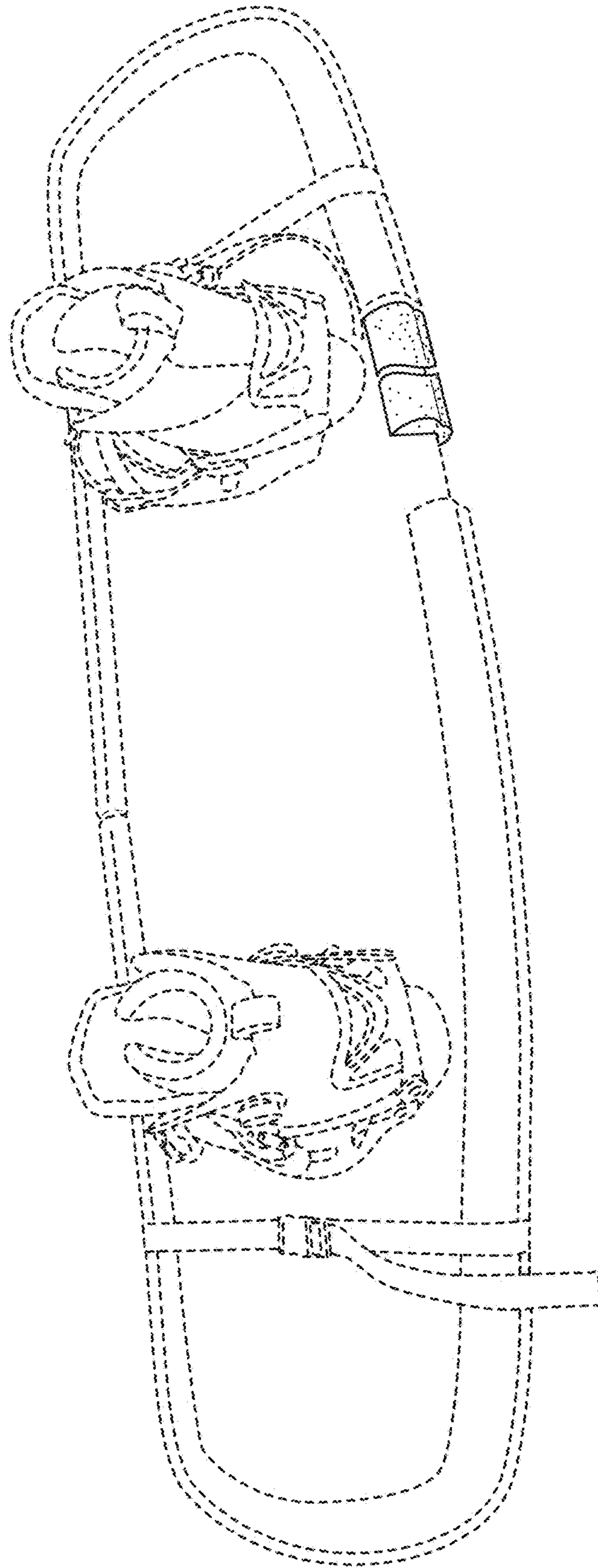


FIG. 8