



US00D796310S

(12) **United States Design Patent**
Baiz et al.

(10) **Patent No.:** **US D796,310 S**

(45) **Date of Patent:** **** Sep. 5, 2017**

(54) **LUG NUT SLEEVE**

(71) Applicants: **Enrique J. Baiz**, Miramar, FL (US);
Oswaldo Izquierdo, Homestead, FL (US)

(72) Inventors: **Enrique J. Baiz**, Miramar, FL (US);
Oswaldo Izquierdo, Homestead, FL (US)

(**) Term: **15 Years**

(21) Appl. No.: **29/574,831**

(22) Filed: **Aug. 18, 2016**

(51) **LOC (10) Cl.** **08-08**

(52) **U.S. Cl.**
USPC **D8/397**

(58) **Field of Classification Search**
USPC D8/397, 394, 382, 349
CPC A61B 17/0401; E04D 13/1476; E04G
25/065; F16B 41/002; F16B 23/0061
See application file for complete search history.

(56) **References Cited**

U.S. PATENT DOCUMENTS

D243,154 S *	1/1977	Dieme	D8/387
D268,565 S *	4/1983	Mortus	D8/397
4,406,140 A *	9/1983	Wolter	F16B 41/005 70/231
4,420,848 A *	12/1983	Becker	B23K 11/002 470/22
4,850,776 A *	7/1989	Toth	B23K 11/14 411/376
5,302,069 A *	4/1994	Toth et al.	B60B 7/00 411/373
D484,785 S *	1/2004	Plumer	D8/397
D488,715 S *	4/2004	Plumer	D8/397

D510,259 S *	10/2005	Yoshimoto	D8/397
D590,243 S *	4/2009	Bush	D8/397
8,016,535 B1 *	9/2011	Roberts	F16B 41/005 411/373
D746,129 S *	12/2015	Kishida	D8/399
D780,562 S *	3/2017	Baiz	D8/387
D781,691 S *	3/2017	Baiz	D8/387
D786,056 S *	5/2017	Baiz	D8/387
D787,924 S *	5/2017	Baiz	D8/387
2002/0098059 A1 *	7/2002	Schmidt	F16B 37/14 411/399
2013/0071204 A1 *	3/2013	Hunter	F16B 37/14 411/373

* cited by examiner

Primary Examiner — Cynthia Underwood

(74) *Attorney, Agent, or Firm* — Quickpatents, LLC;
Kevin Prince

(57) **CLAIM**

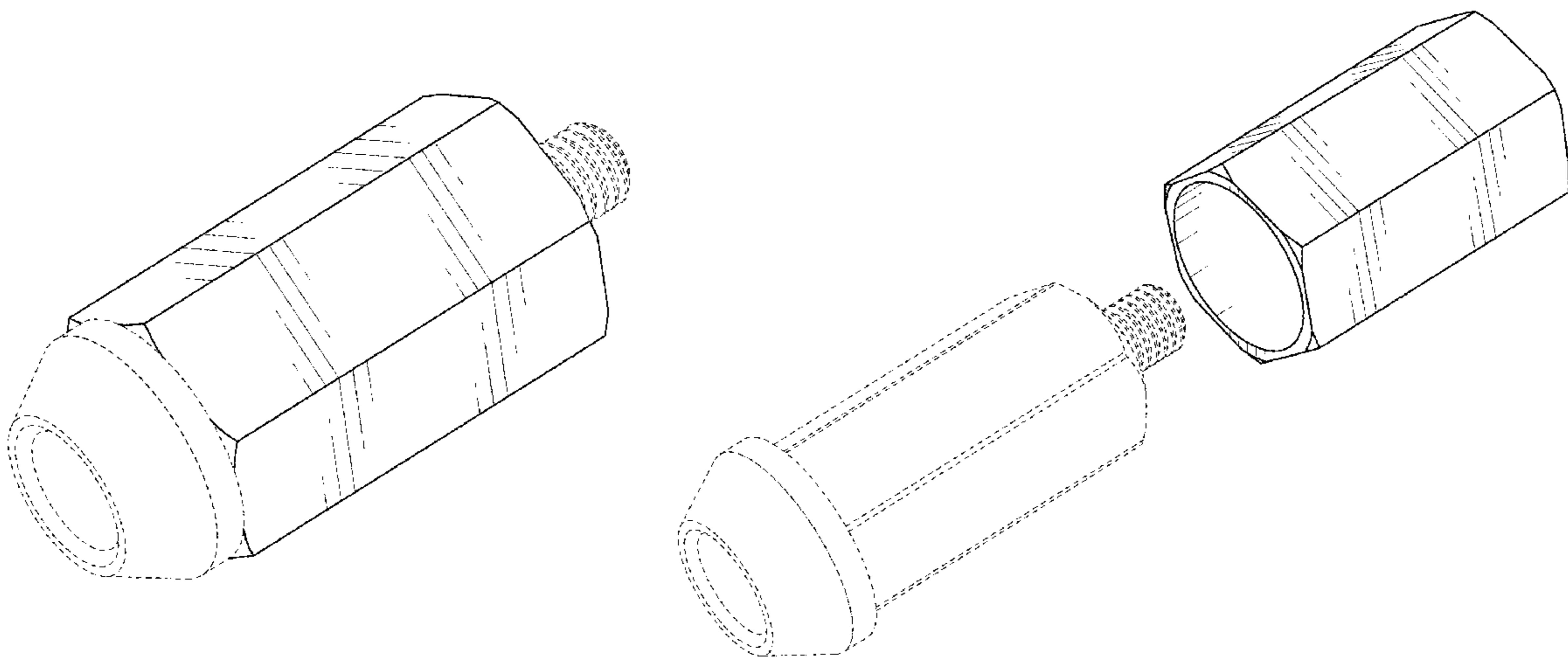
We claim the ornamental design for a lug nut sleeve, as shown and described.

DESCRIPTION

FIG. 1 is a perspective view of a lug nut sleeve, showing a first embodiment of our new design; FIG. 2 is an exploded perspective view of FIG. 1; FIG. 3 is a front elevational view of FIG. 1; FIG. 4 is a rear elevational view of FIG. 1; FIG. 5 is a left-side elevational view of FIG. 1; FIG. 6 is a right-side elevational view thereof; FIG. 7 is a top plan view thereof; FIG. 8 is a bottom plan view thereof; and, FIG. 9 is a cross-sectional view of FIG. 1, taken along line 9-9 of FIG. 7.

The broken lines showing a lug nut illustrate environment and form no part of the claim.

1 Claim, 5 Drawing Sheets



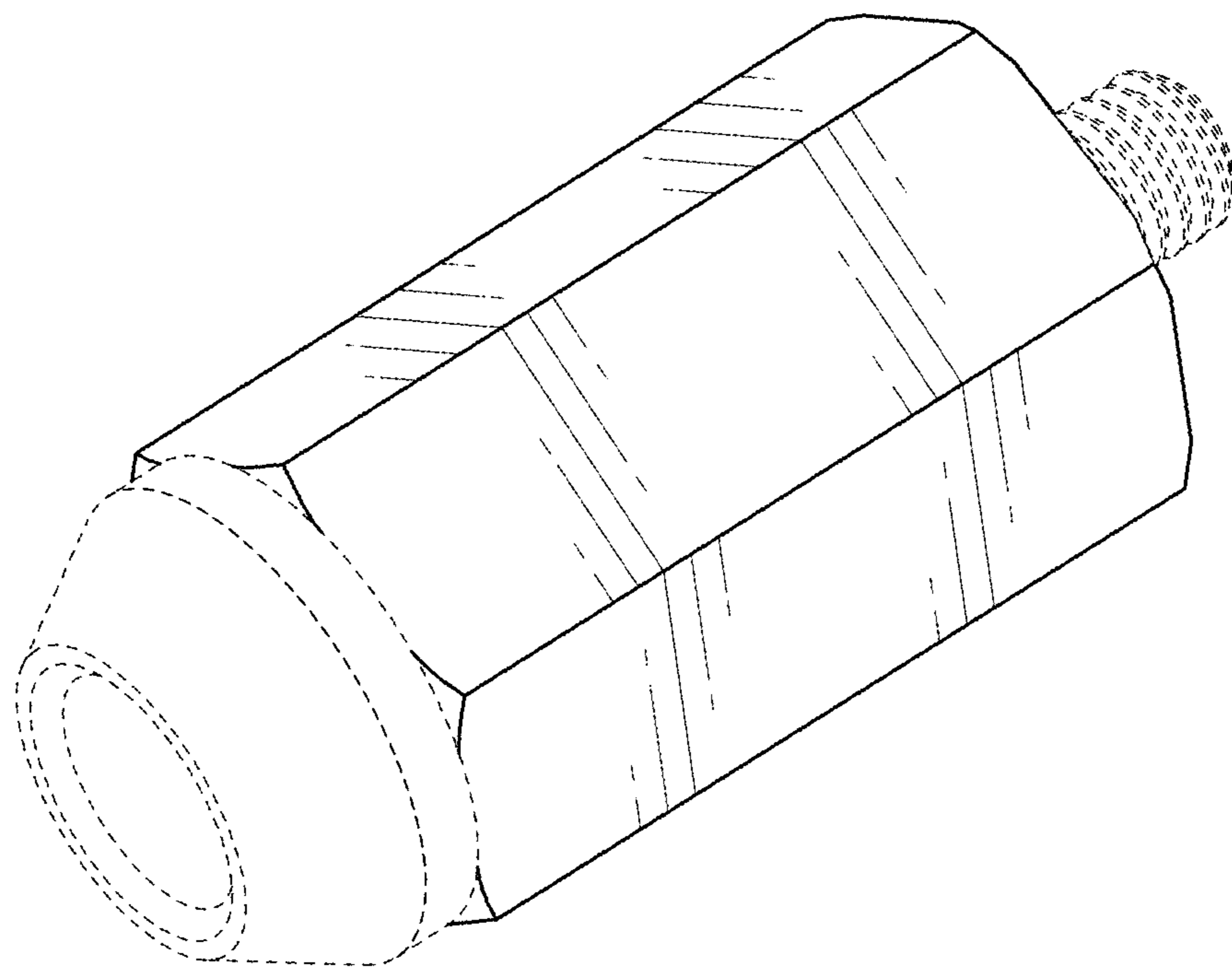


FIG. 1

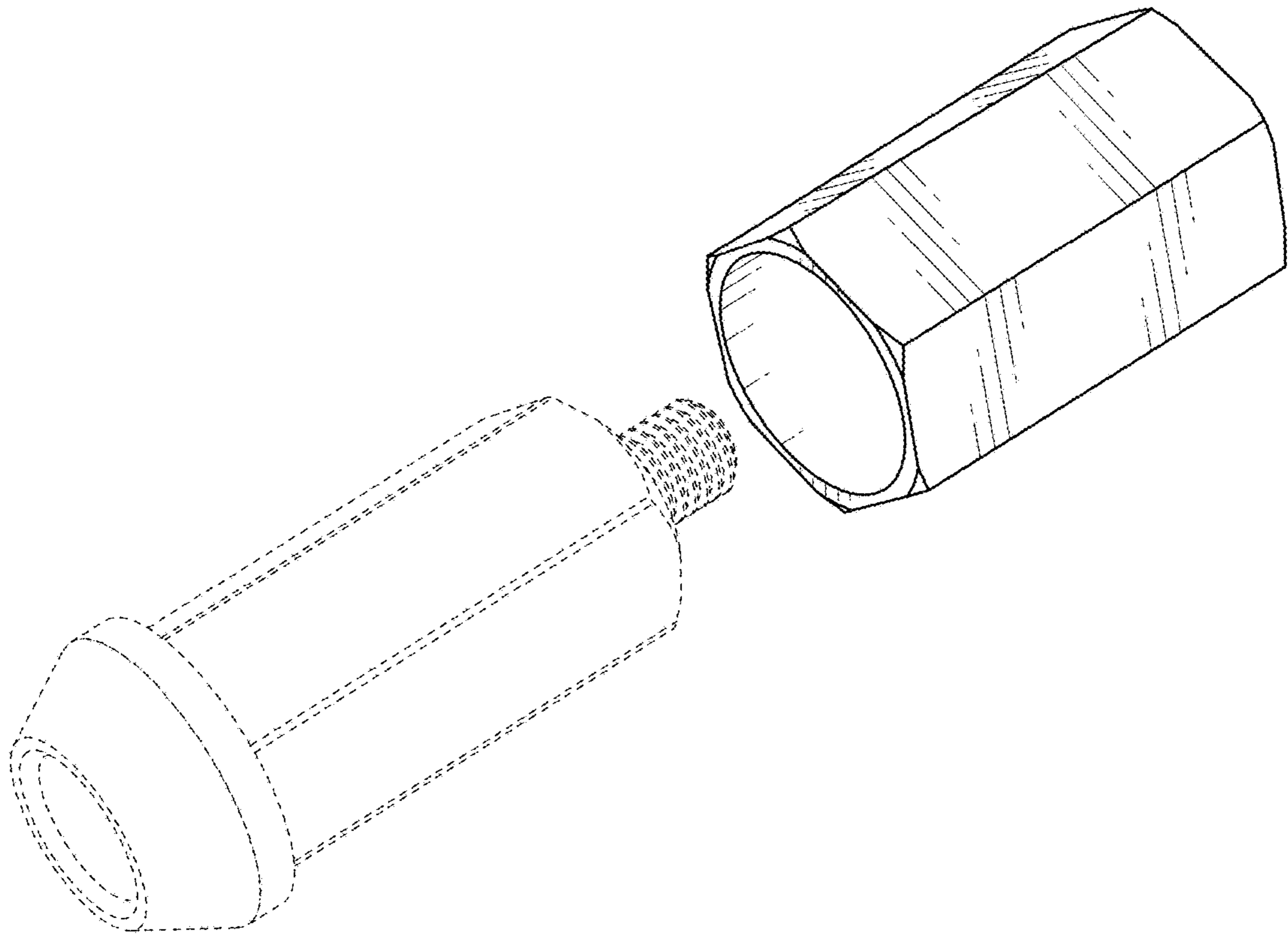


FIG. 2

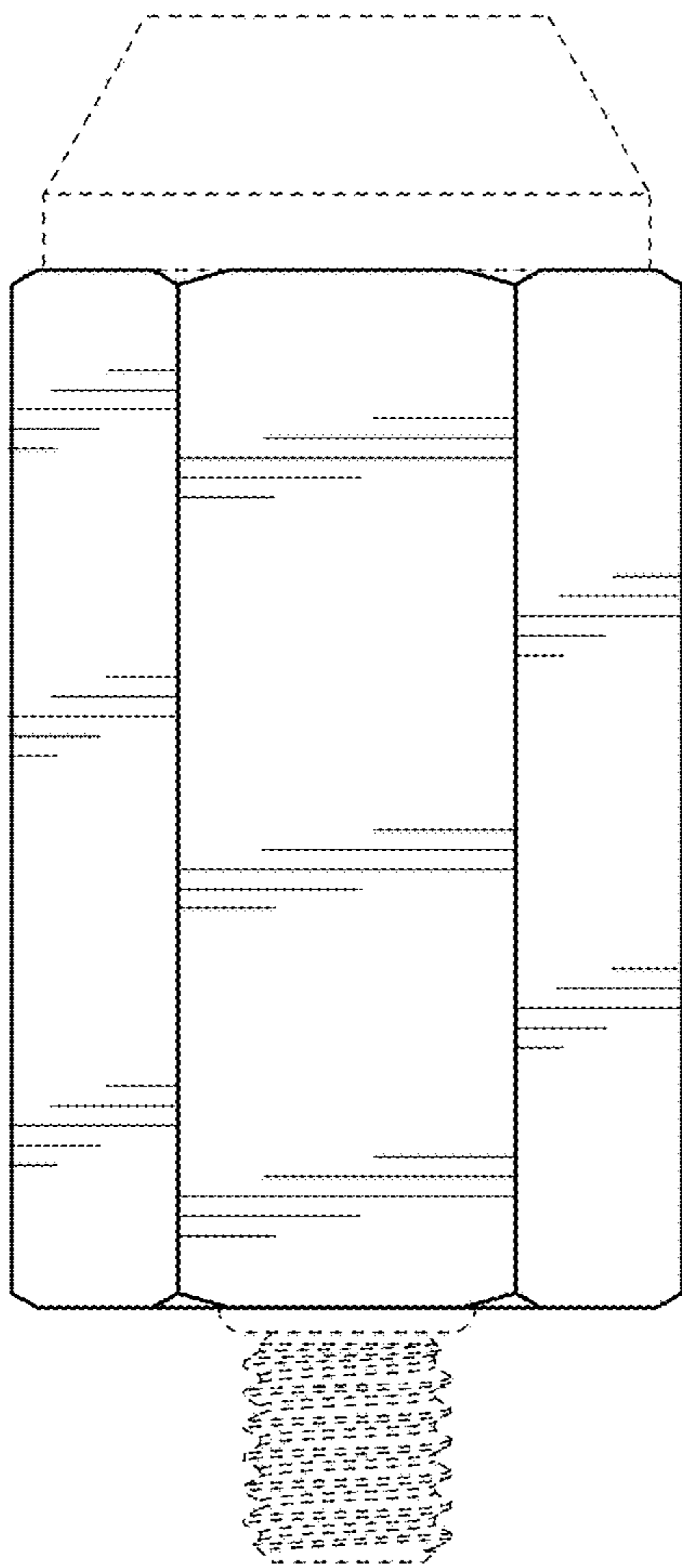


FIG. 3

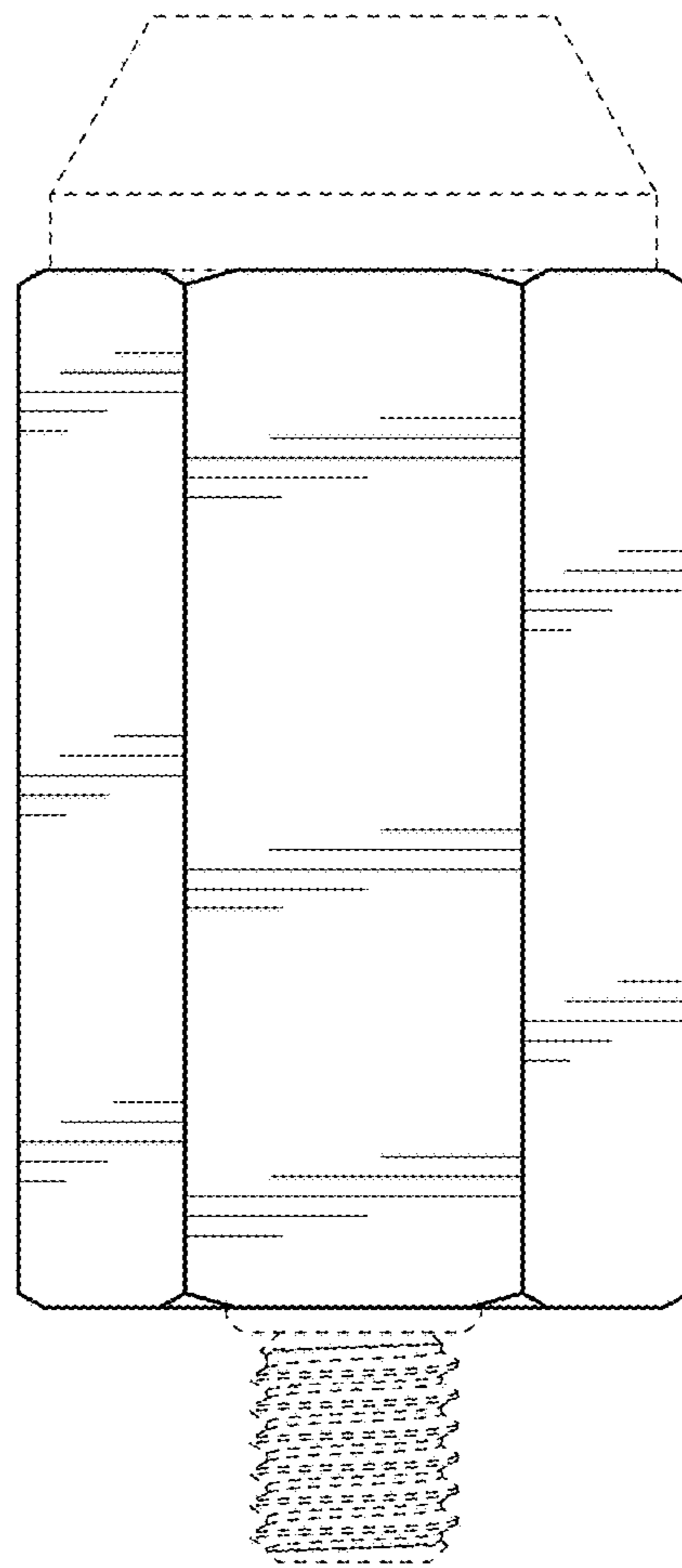


FIG. 4

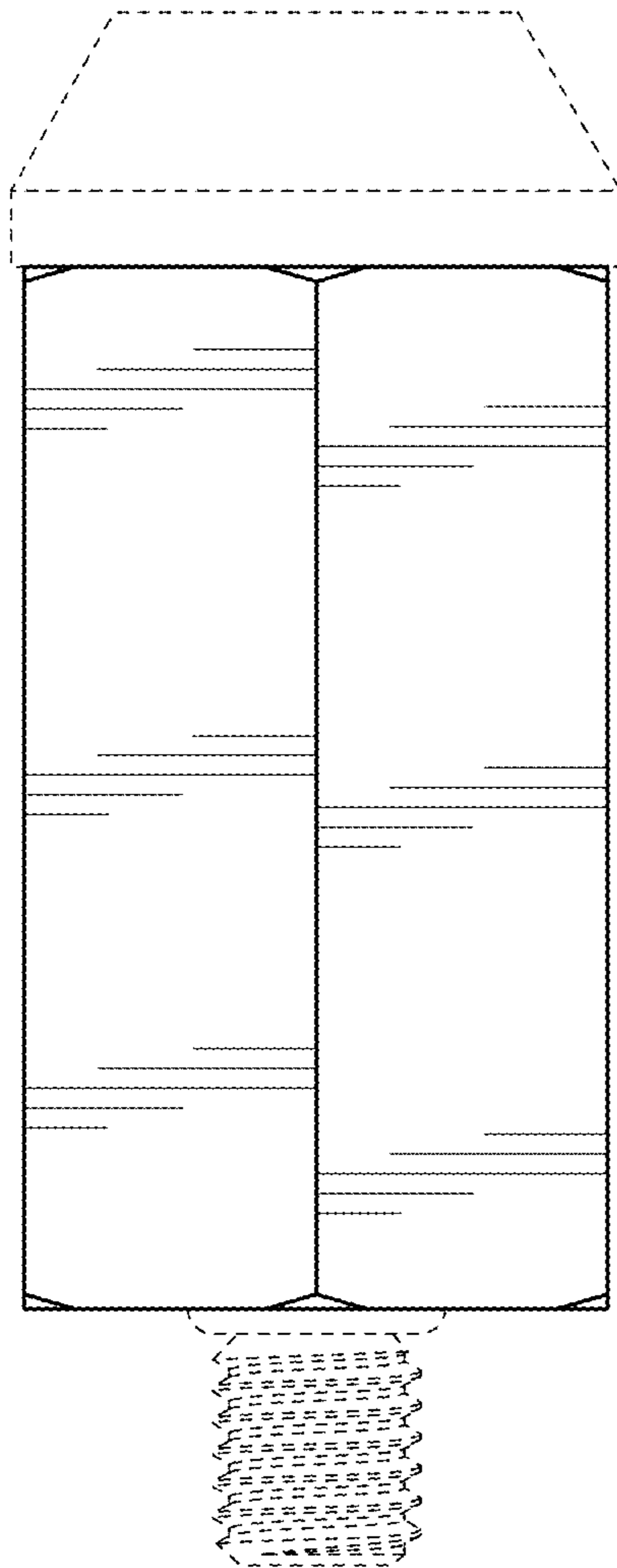


FIG. 5

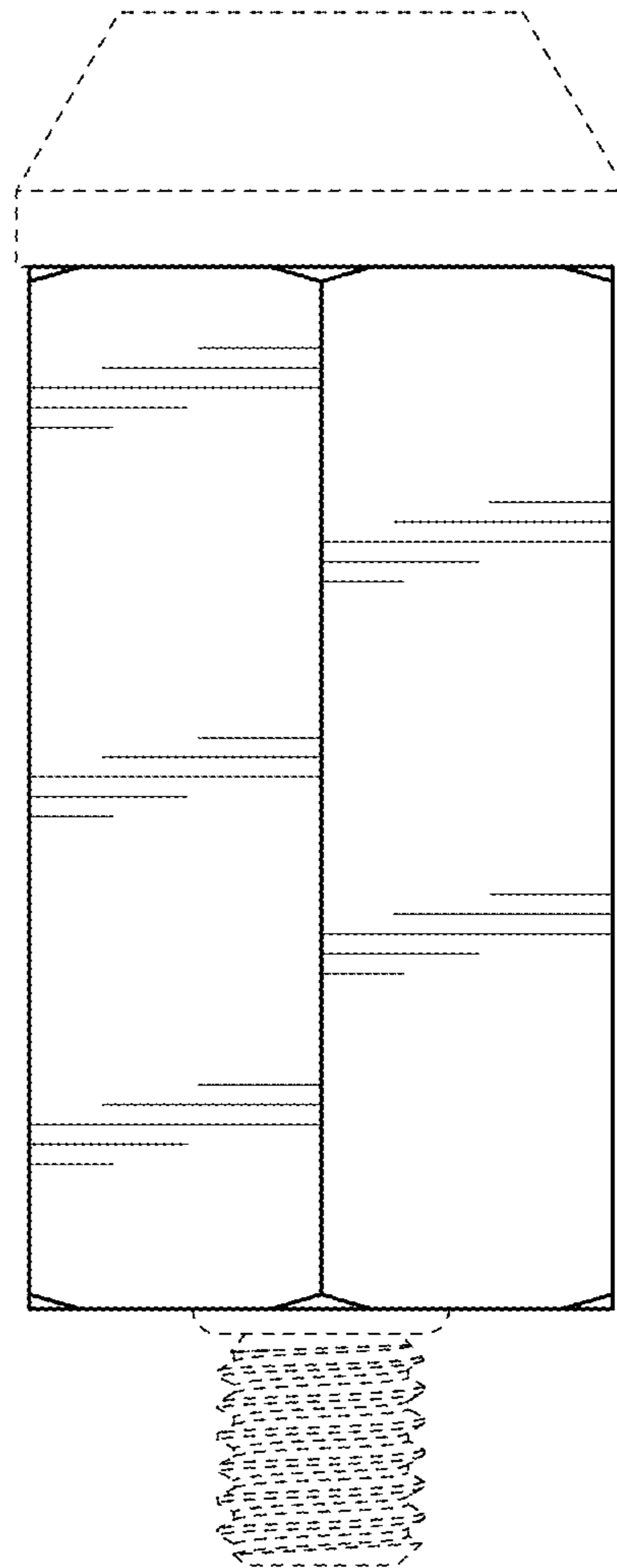


FIG. 6

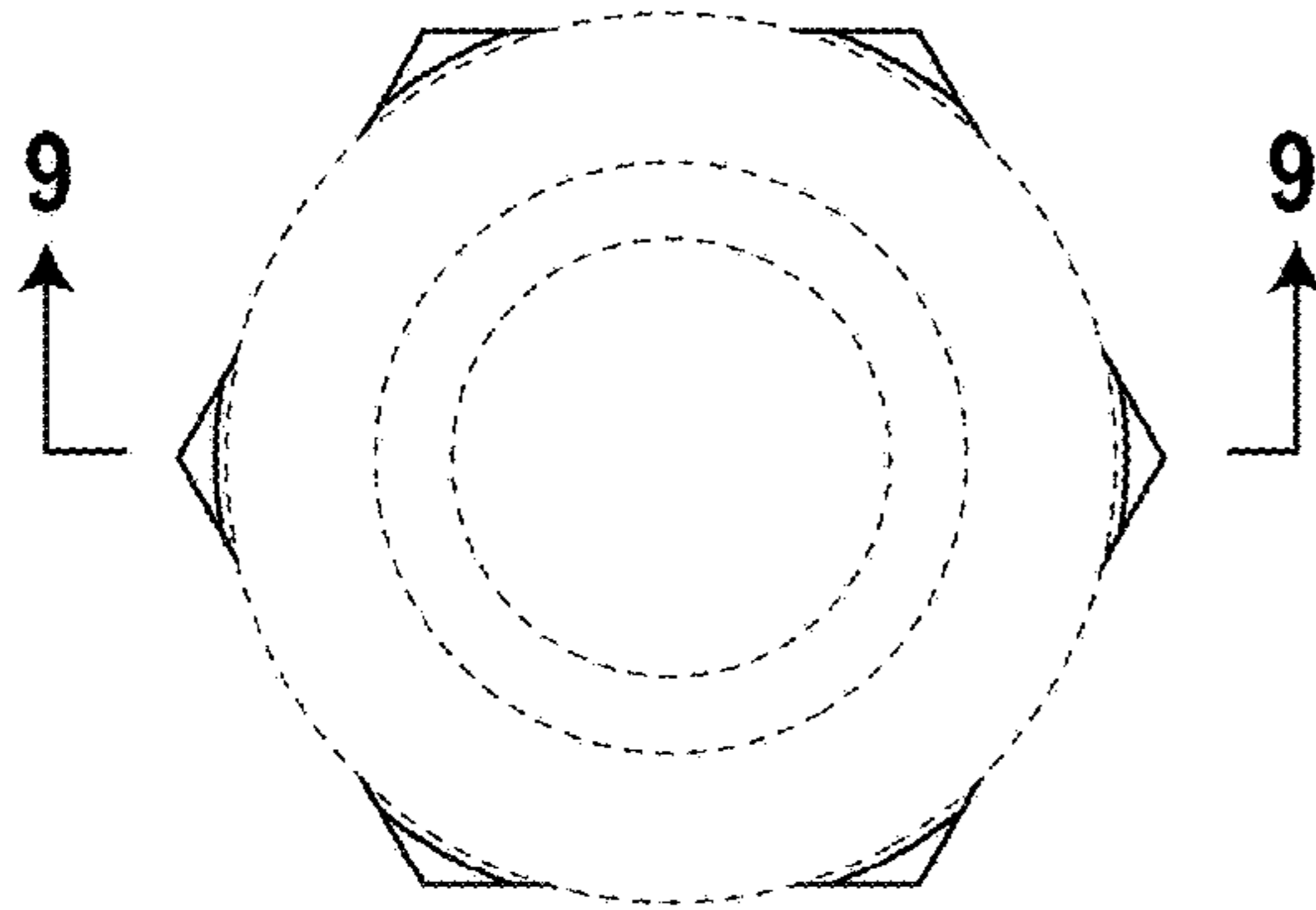


FIG. 7

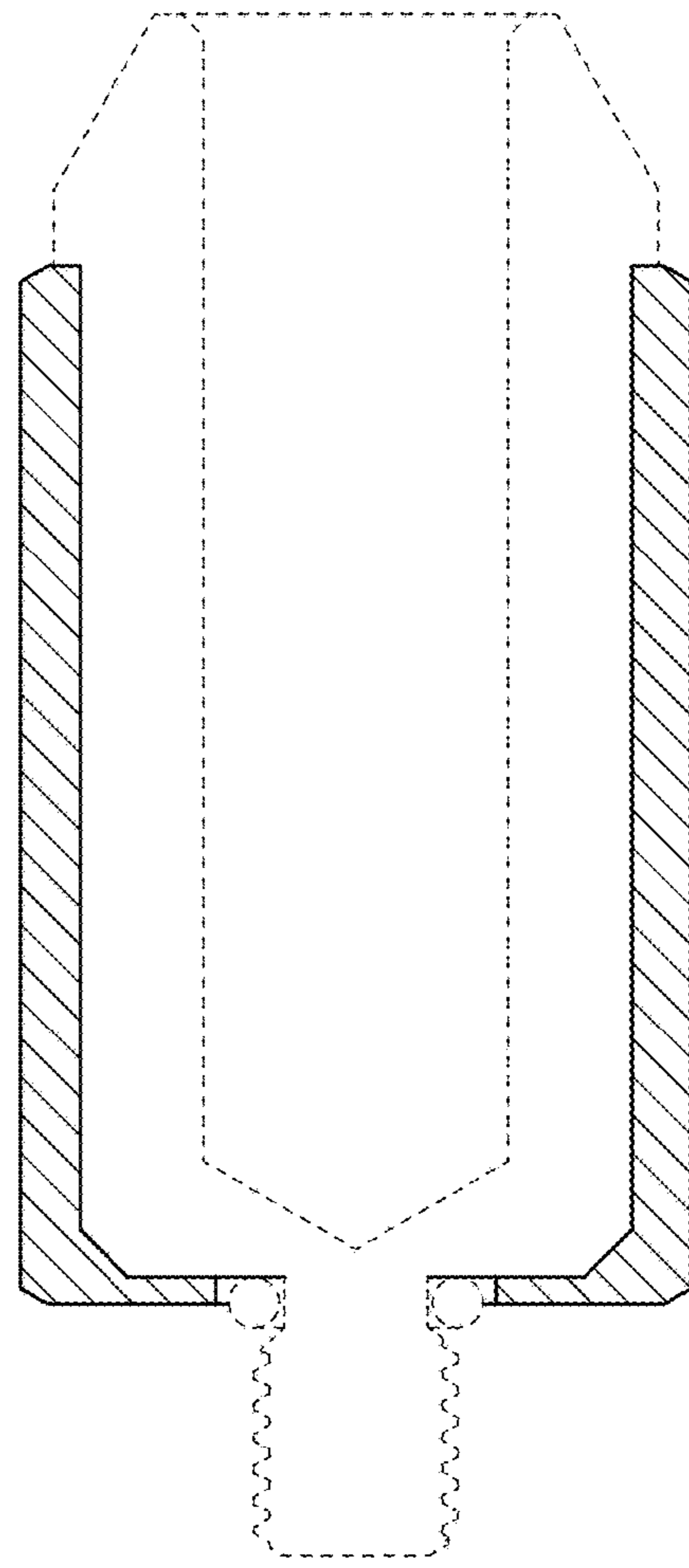


FIG. 9

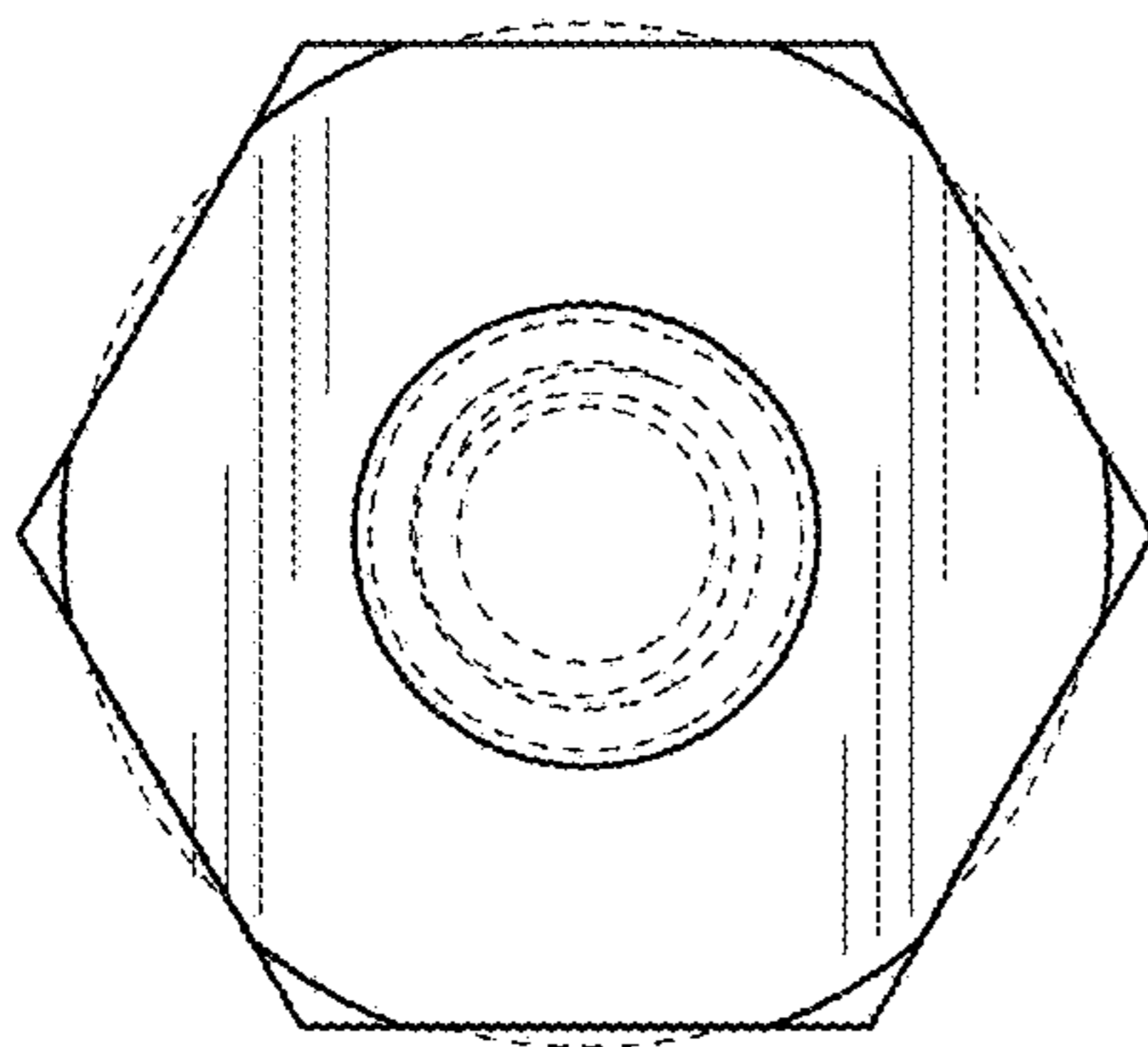


FIG. 8