



US00D796309S

(12) **United States Design Patent**
Cruz

(10) **Patent No.:** **US D796,309 S**

(45) **Date of Patent:** **** Sep. 5, 2017**

(54) **WELDER MASK FASTENER**

(71) Applicant: **Jose Cruz**, Houston, TX (US)

(72) Inventor: **Jose Cruz**, Houston, TX (US)

(**) Term: **15 Years**

(21) Appl. No.: **29/559,428**

(22) Filed: **Mar. 28, 2016**

(51) **LOC (10) Cl.** **08-08**

(52) **U.S. Cl.**
USPC **D8/397**

(58) **Field of Classification Search**
USPC D8/397, 394, 382, 349; 411/427
CPC A61B 17/0401; E04D 13/1476; E04G
25/065; F16B 41/002; F16B 23/0061
See application file for complete search history.

(56) **References Cited**

U.S. PATENT DOCUMENTS

D30,898 S *	5/1899	Paine	411/427
3,042,068 A *	7/1962	Smith	F16K 1/422
			137/315.05
3,269,228 A *	8/1966	Mack	B25B 13/06
			81/177.6
D233,138 S *	10/1974	Vogel	215/200
4,134,438 A *	1/1979	Friberg	F16B 39/24
			411/163
4,207,938 A *	6/1980	Mortus	F16B 39/284
			411/281
4,436,005 A *	3/1984	Hanson	B25B 13/481
			81/177.75
D276,879 S *	12/1984	Bell	D8/70
4,822,223 A *	4/1989	Williams	F16B 37/122
			403/268
D311,131 S *	10/1990	Saito	D8/397
5,728,136 A *	3/1998	Thal	A61B 17/0401
			606/232
5,927,921 A *	7/1999	Hukari	F16B 31/06
			411/186

D416,192 S *	11/1999	Tu	D8/397
6,220,804 B1 *	4/2001	Pamer	F16B 37/068
			29/432.2
6,361,258 B1 *	3/2002	Heesch	F16B 23/0084
			411/178
6,387,129 B2 *	5/2002	Rieser	A61B 17/8615
			606/318
D459,207 S *	6/2002	Miyata	D8/397
6,457,923 B1 *	10/2002	Grossman	A47C 17/1753
			411/104

(Continued)

Primary Examiner — Cynthia Underwood
(74) *Attorney, Agent, or Firm* — Law Office of Jeff Williams; J. Oliver Williams

(57) **CLAIM**

The ornamental design for a welder mask fastener, as shown.

DESCRIPTION

FIG. 1 is an exploded perspective view of a welder mask fastener according to the present application.

FIG. 2 is a front view of the welder mask fastener of FIG. 1.

FIG. 3 is a back view of the welder mask fastener of FIG. 1.

FIG. 4 is a left view of the welder mask fastener of FIG. 1.

FIG. 5 is a right view of the welder mask fastener of FIG. 1.

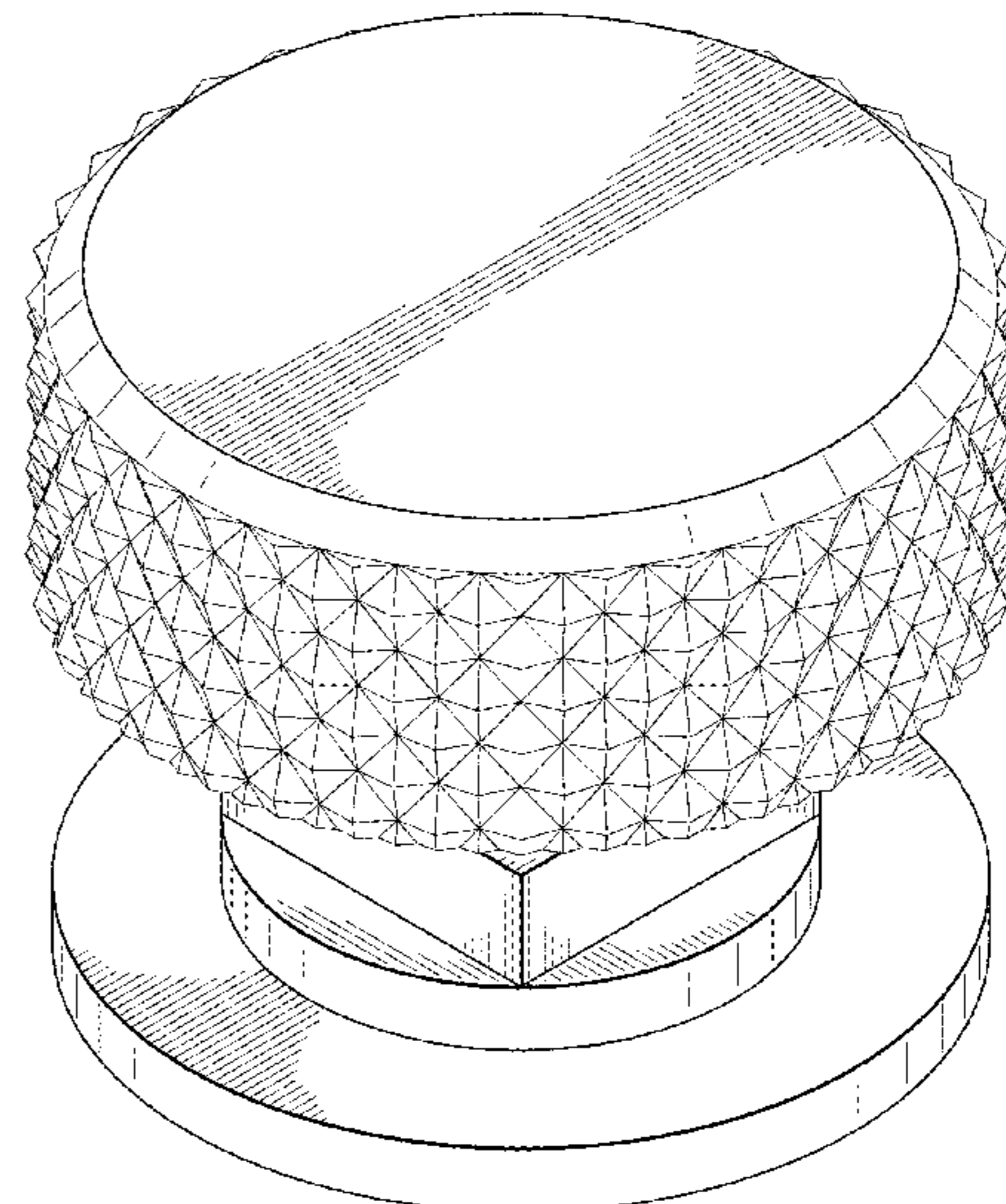
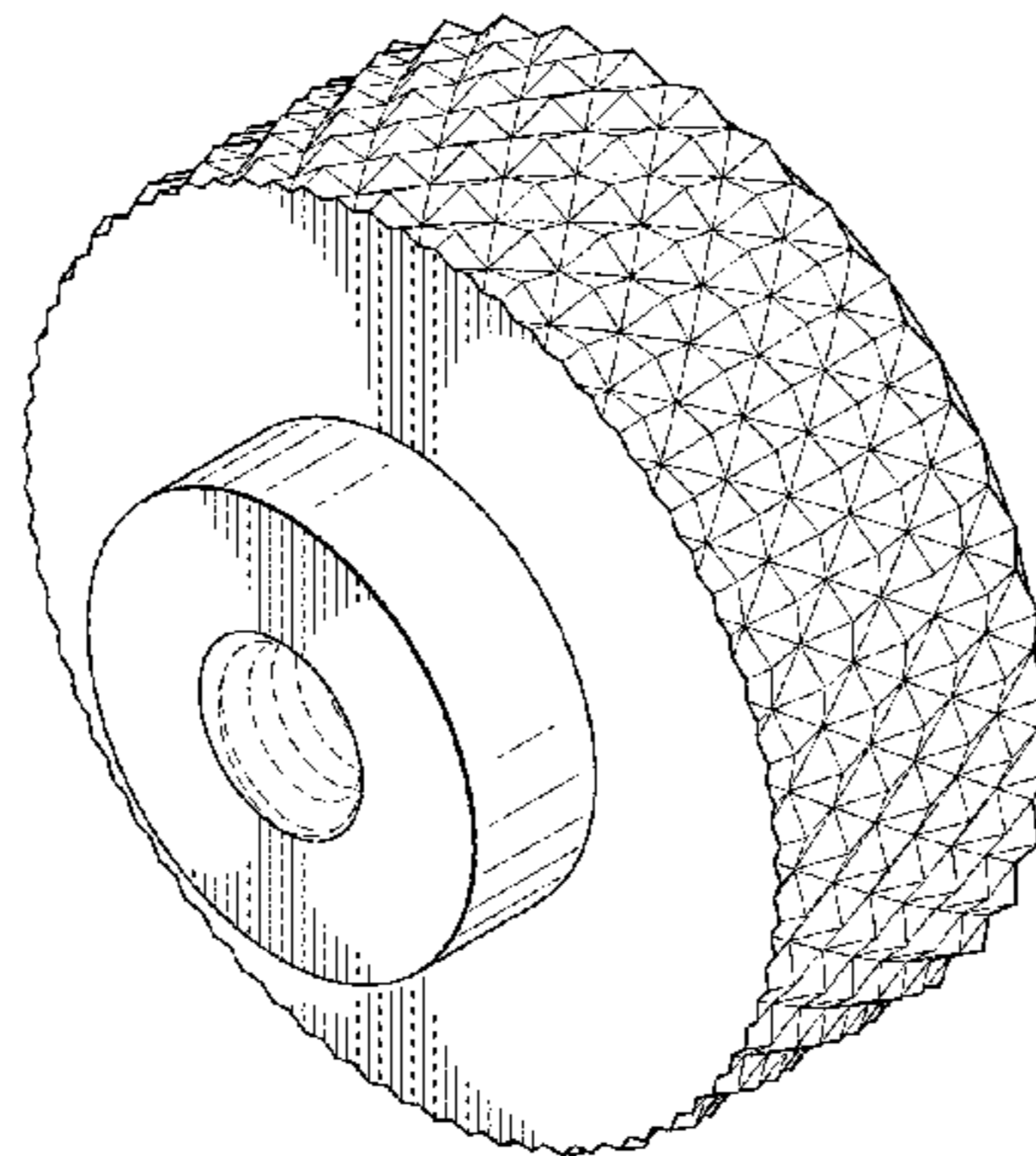
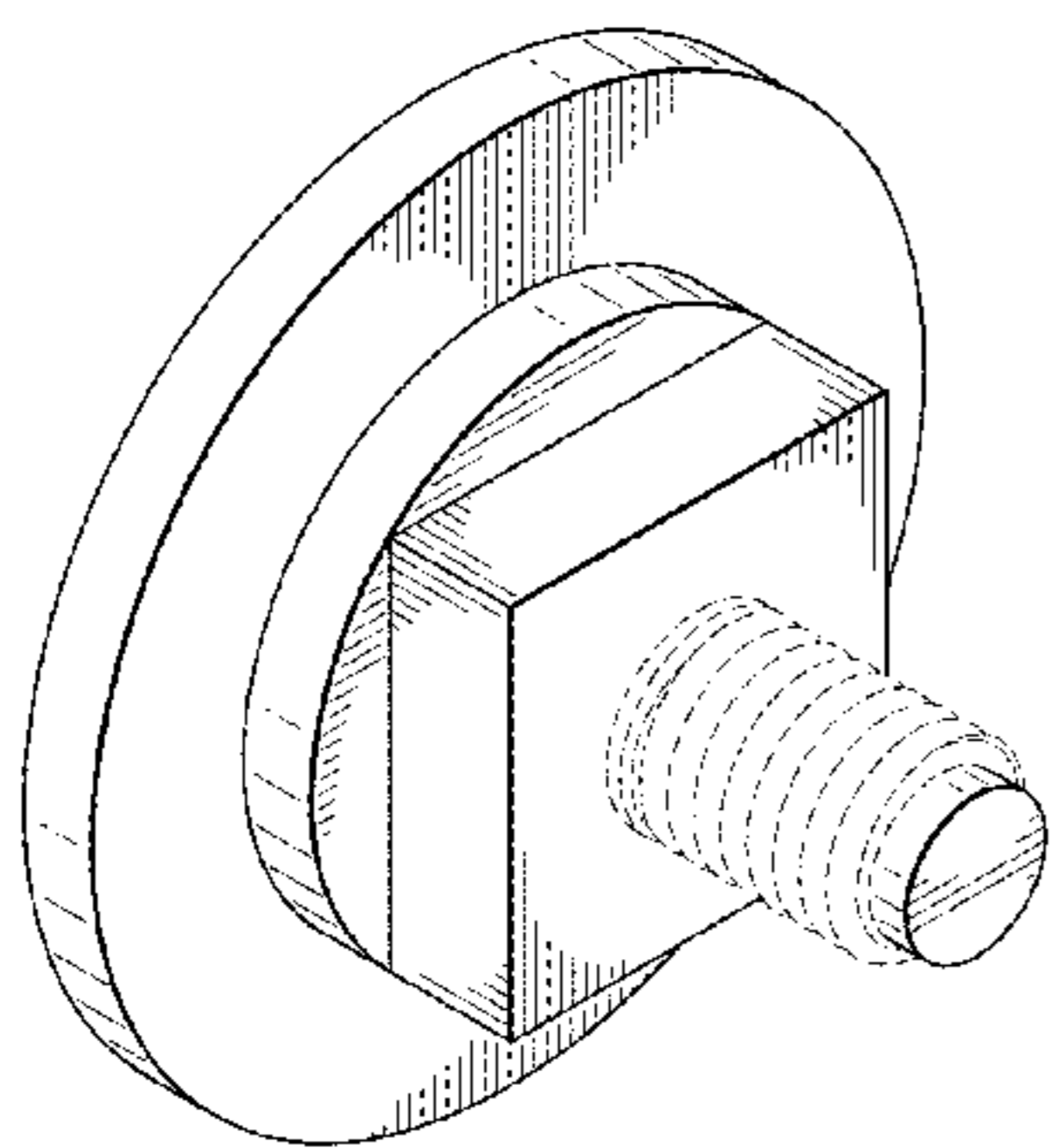
FIG. 6 is a bottom view of the welder mask fastener of FIG. 2.

FIG. 7 is a top view of the welder mask fastener of FIG. 2; and,

FIG. 8 is a perspective view of the welder mask fastener of FIG. 1, shown assembled.

The broken lines are included for the purpose of illustrating environmental structure and form no part of the claimed design.

1 Claim, 5 Drawing Sheets



(56)

References Cited

U.S. PATENT DOCUMENTS

6,478,518 B1 * 11/2002 Hwang F16B 12/14
411/104
6,540,750 B2 * 4/2003 Burkhart A61B 17/0401
606/232
D511,499 S * 11/2005 Chung D13/154
D512,886 S * 12/2005 Christensen D8/14
D524,149 S * 7/2006 Kim D8/397
D549,179 S * 8/2007 Amidon D13/151
D551,972 S * 10/2007 Jacobs D9/445
D578,488 S * 10/2008 Amidon D13/133
D588,893 S * 3/2009 Radich D8/70
D597,959 S * 8/2009 Malloy D13/151
D600,210 S * 9/2009 Snyder D13/133
D602,349 S * 10/2009 Andersson D8/399
D609,999 S * 2/2010 Andersson D8/399
D613,594 S * 4/2010 Huang D12/213
D613,595 S * 4/2010 Huang D12/213
D614,247 S * 4/2010 Clausen D21/488
D627,038 S * 11/2010 Yu D23/260
7,981,143 B2 * 7/2011 Doubler F16B 37/0864
606/300

D646,153 S * 10/2011 Andersson D8/397
D646,154 S * 10/2011 Andersson D8/397
D669,343 S * 10/2012 Pesch D8/360
D679,988 S * 4/2013 Yamazaki D8/397
D691,033 S * 10/2013 Allman D8/397
D698,234 S * 1/2014 Bauer D8/397
8,622,677 B2 * 1/2014 Wu B60S 9/08
411/427
D698,637 S * 2/2014 Su D8/397
D706,126 S * 6/2014 Orow D8/397
D713,243 S * 9/2014 Hsu D8/397
D721,423 S * 1/2015 Jacques D23/260
D725,461 S * 3/2015 Kopp D8/397
9,004,836 B2 * 4/2015 Wells F16B 23/0007
411/402
D757,524 S * 5/2016 Eide D8/360
D787,927 S * 5/2017 Baiz D8/397
D788,574 S * 6/2017 Baiz D8/387
2011/0305539 A1 * 12/2011 Rand F16B 37/14
411/373
2014/0241827 A1 * 8/2014 Park B21K 1/70
411/172
2015/0267730 A1 * 9/2015 He F16B 5/0208
411/352

* cited by examiner

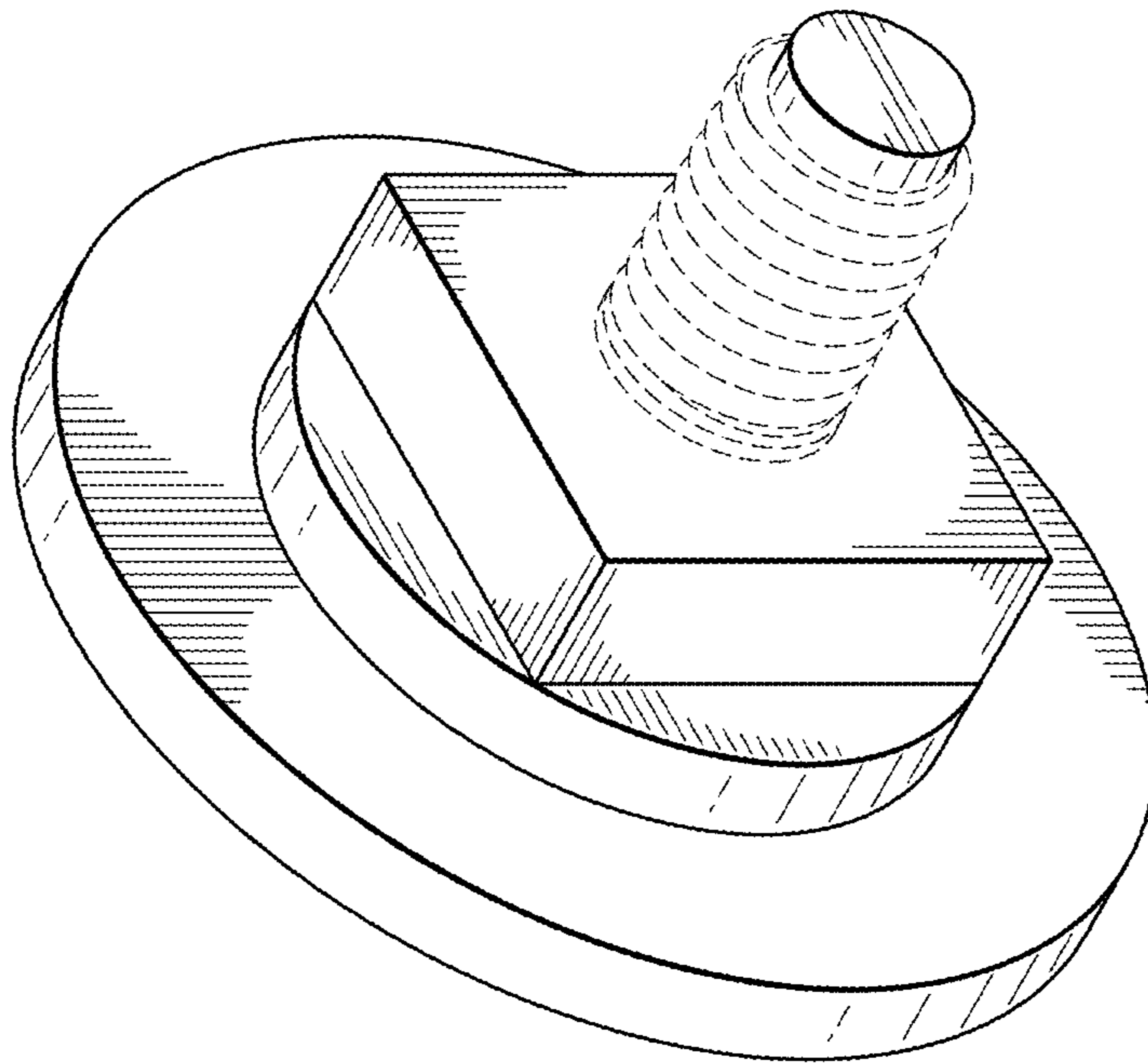
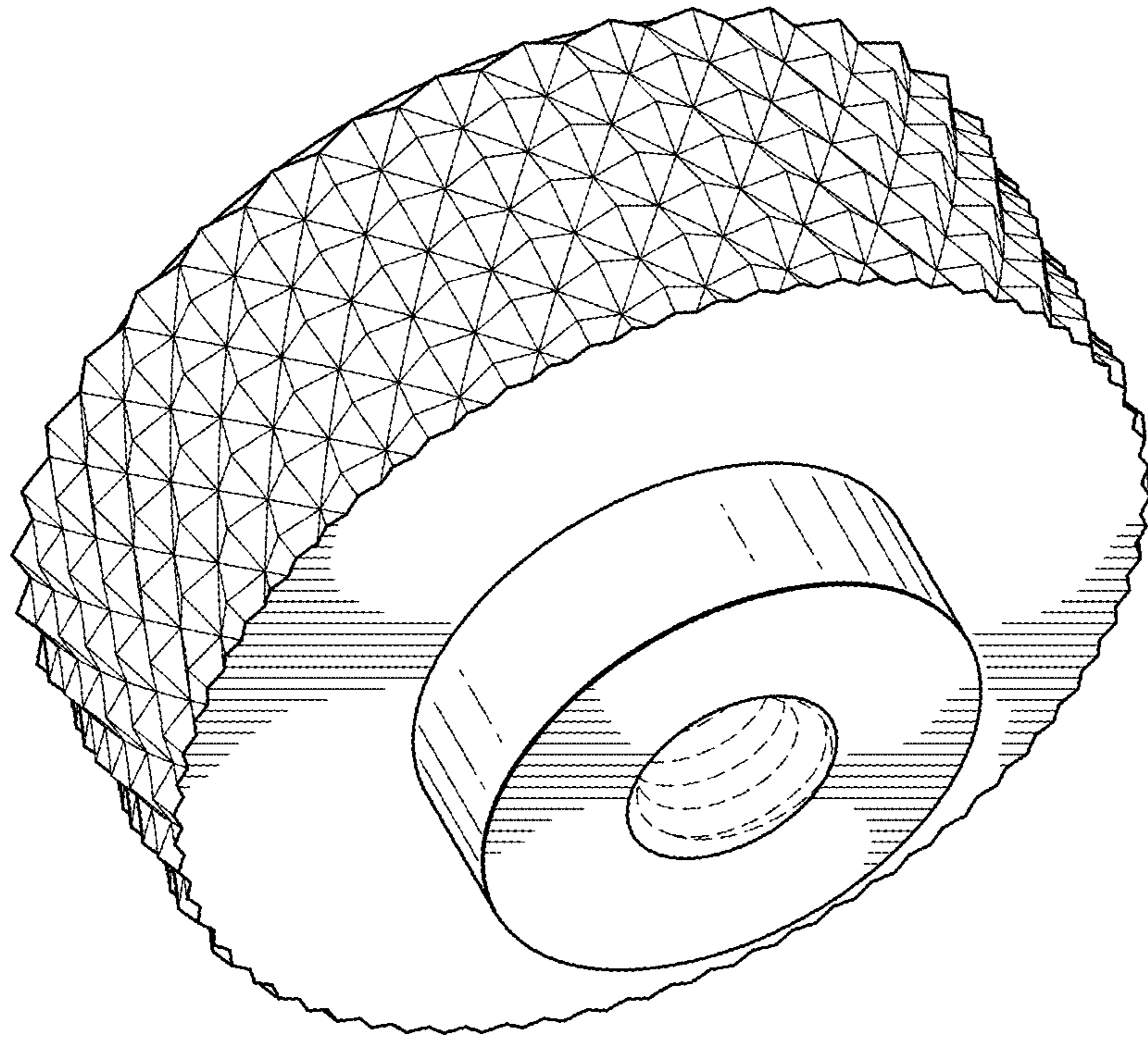


FIG. 1

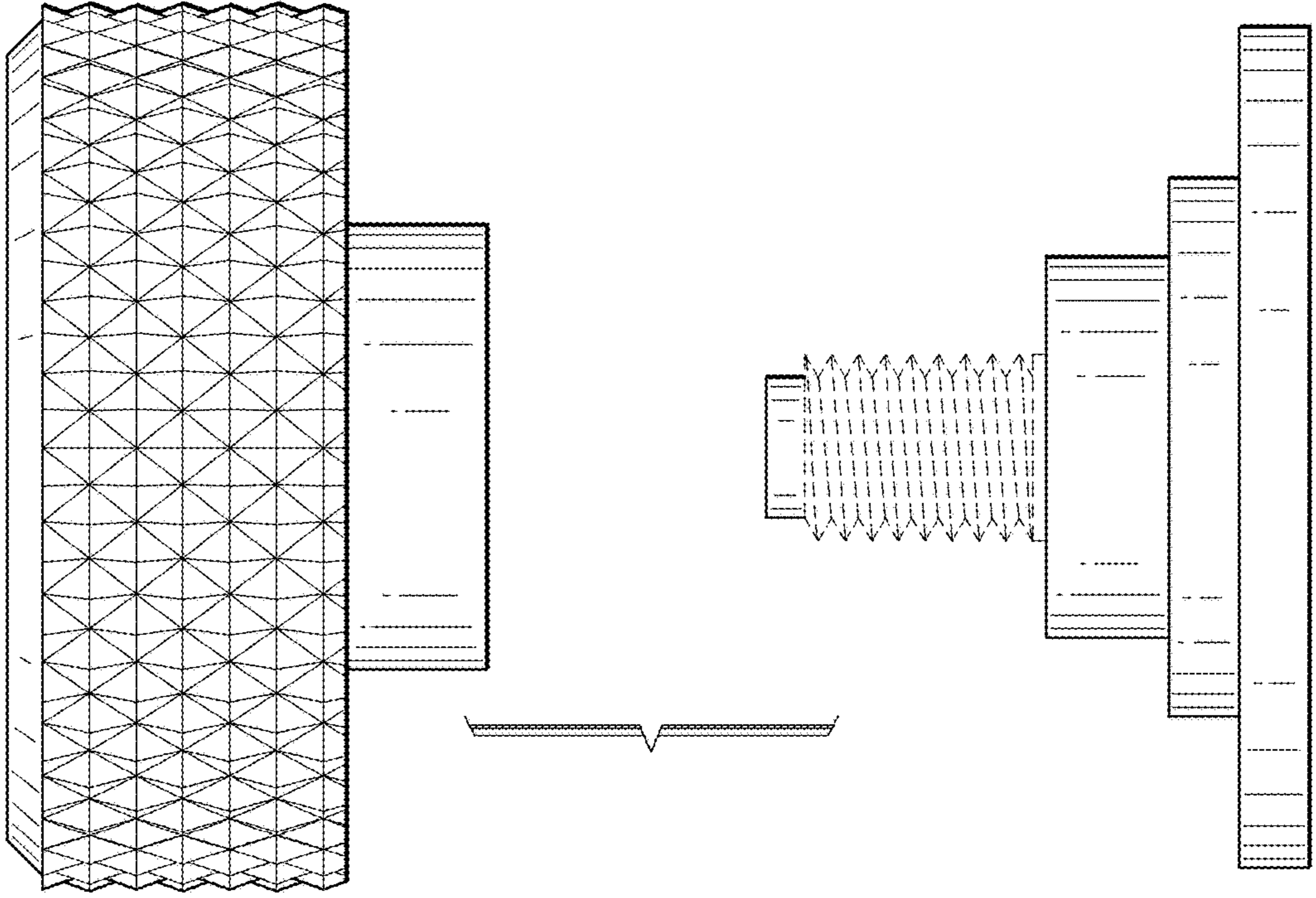


FIG. 2

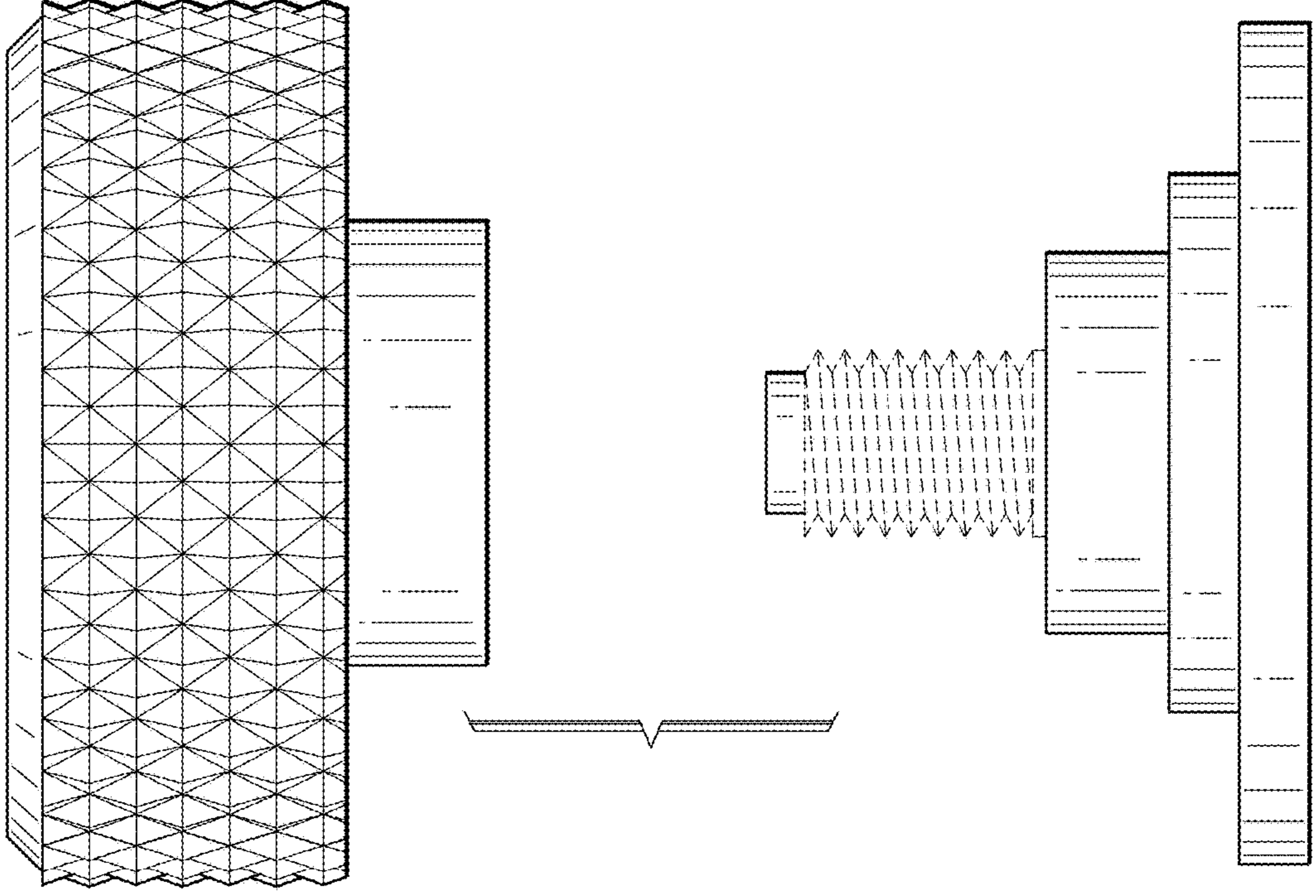


FIG. 3

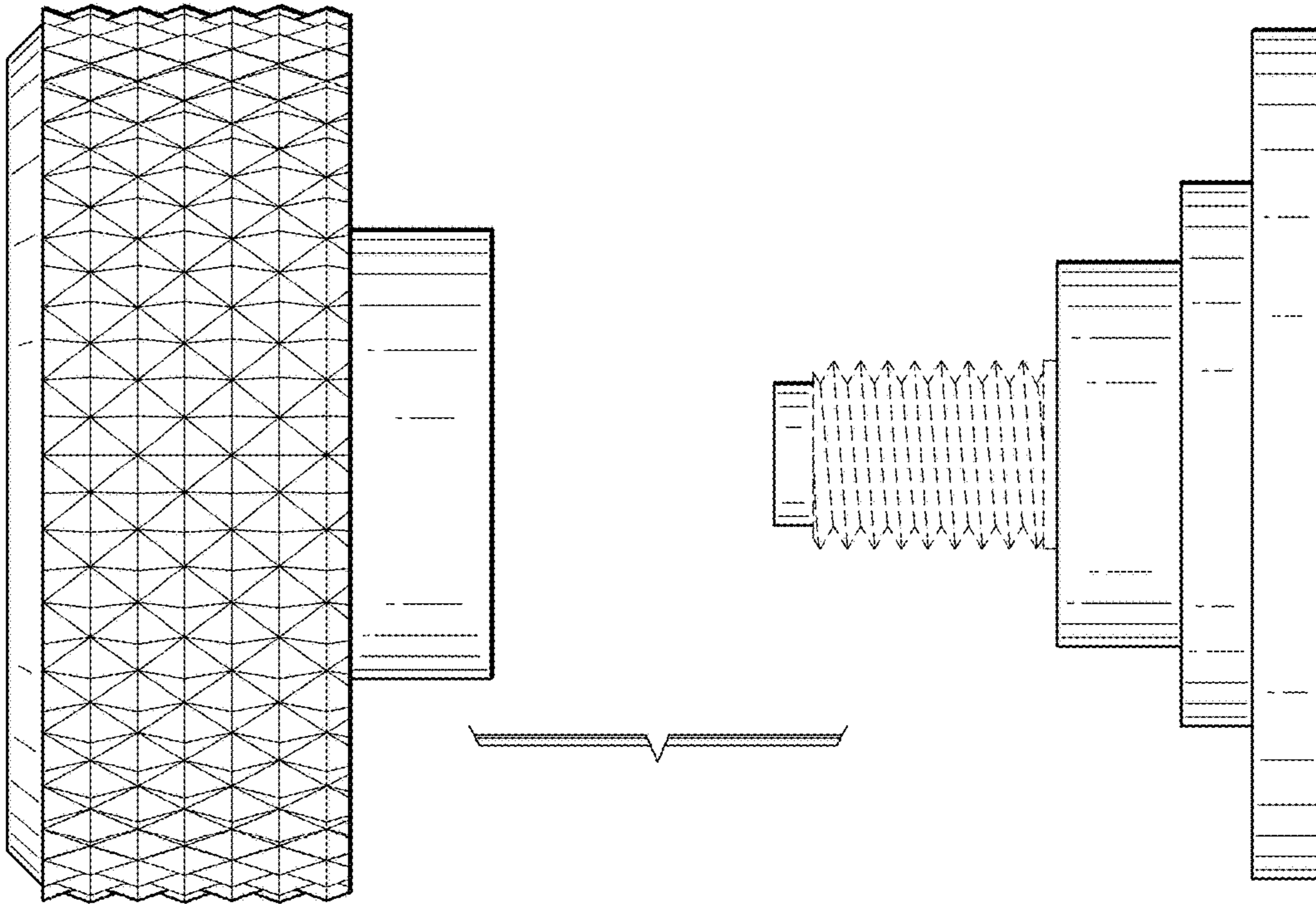


FIG. 5

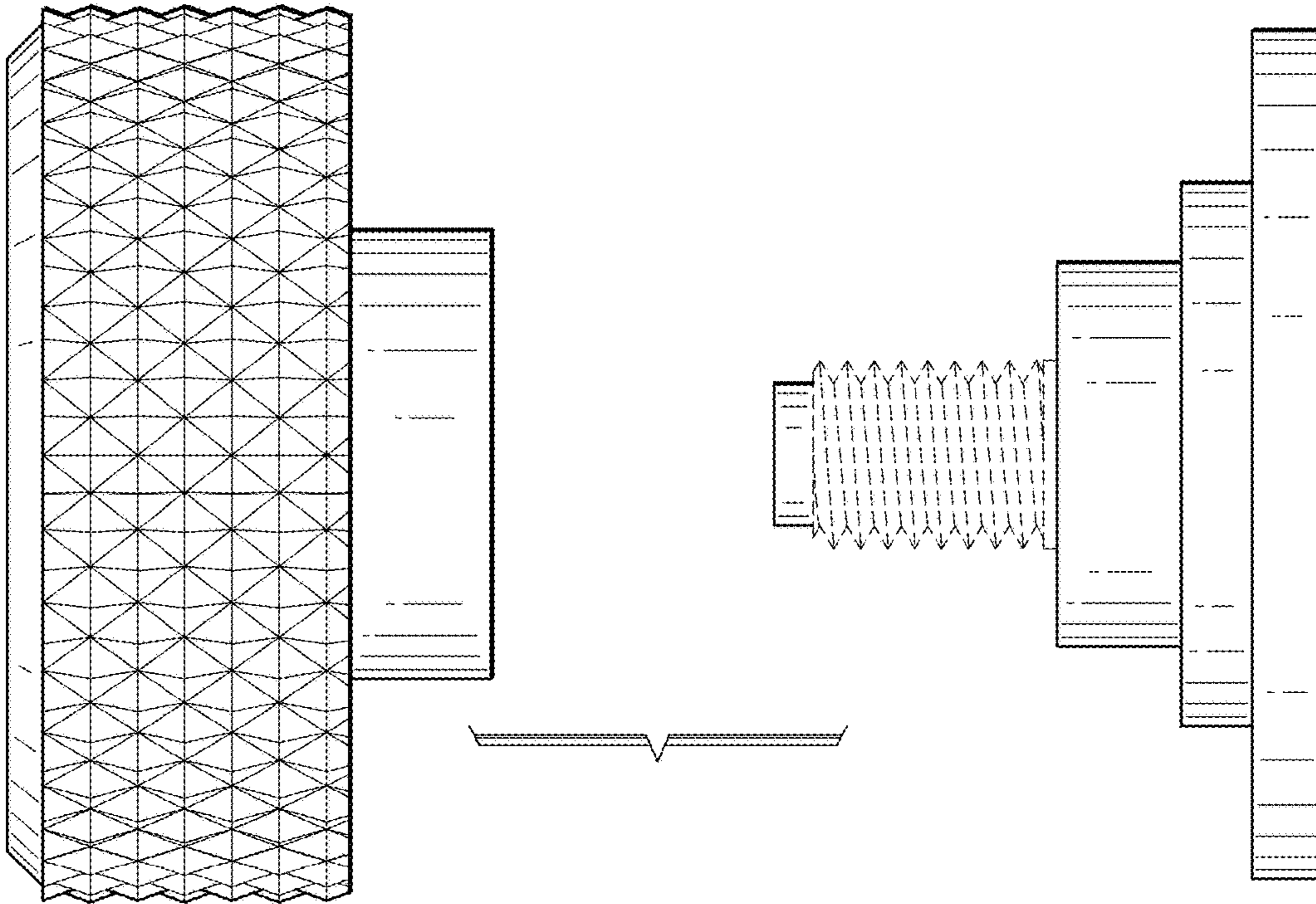


FIG. 4

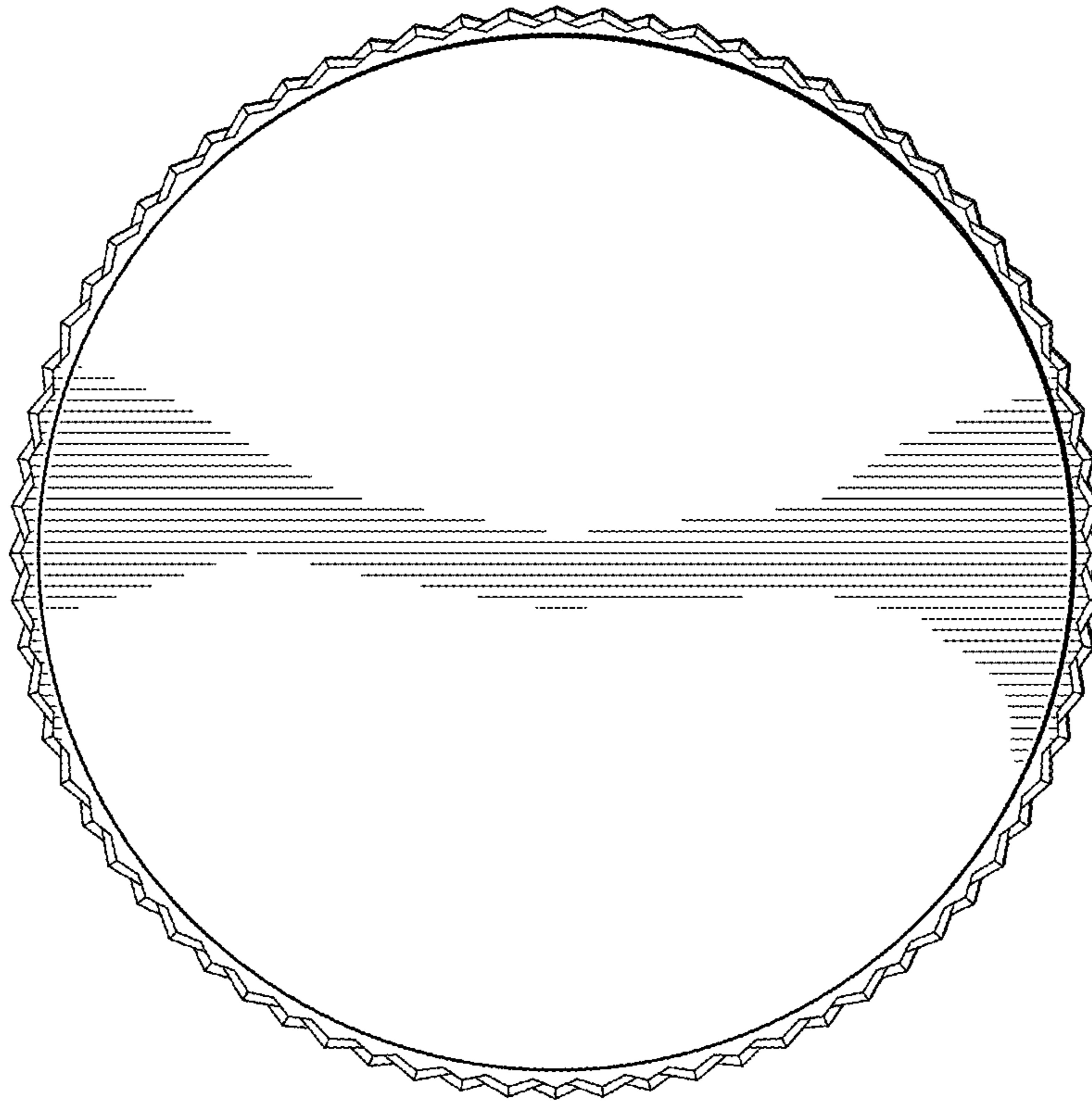


FIG. 7

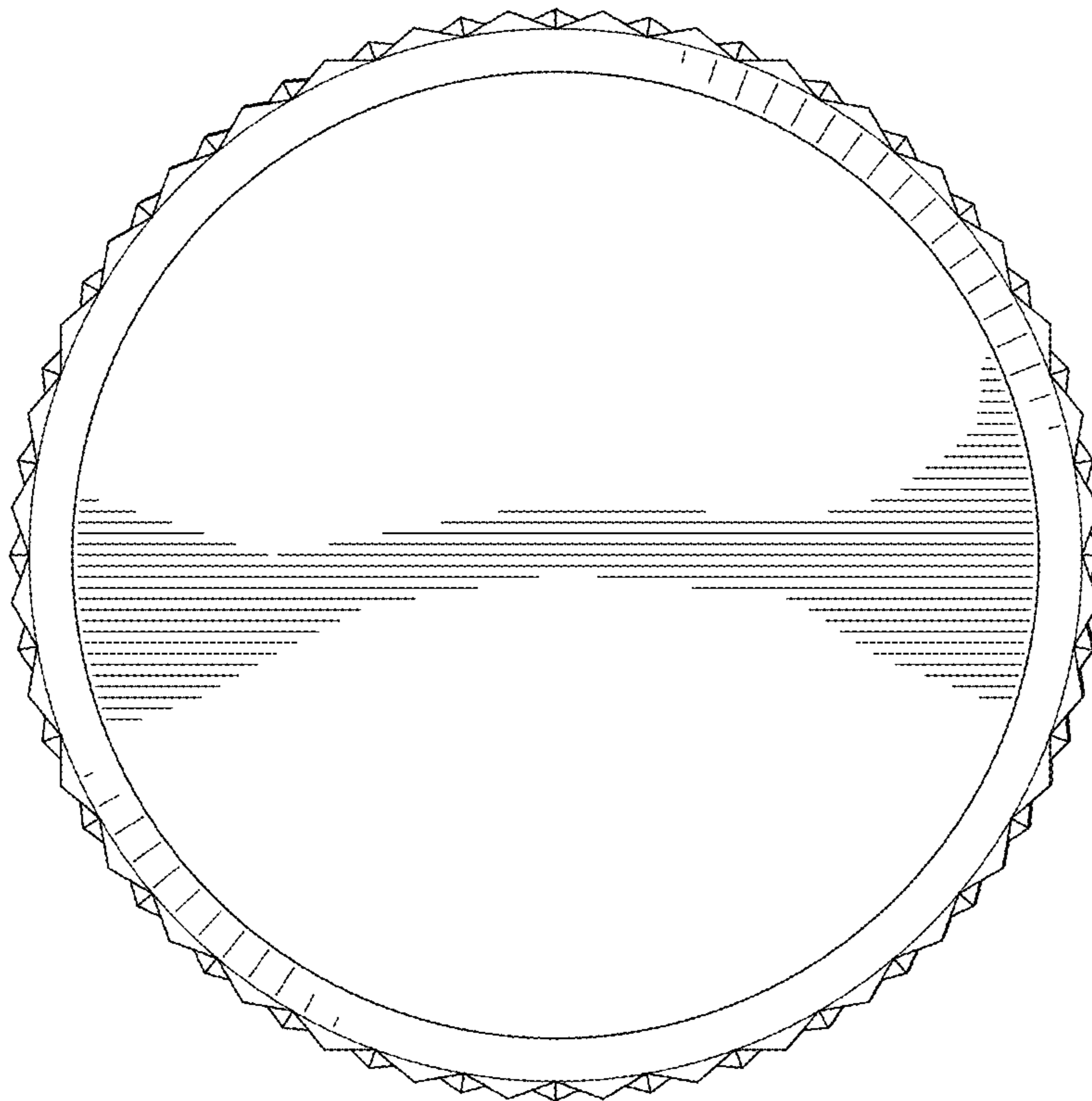


FIG. 6

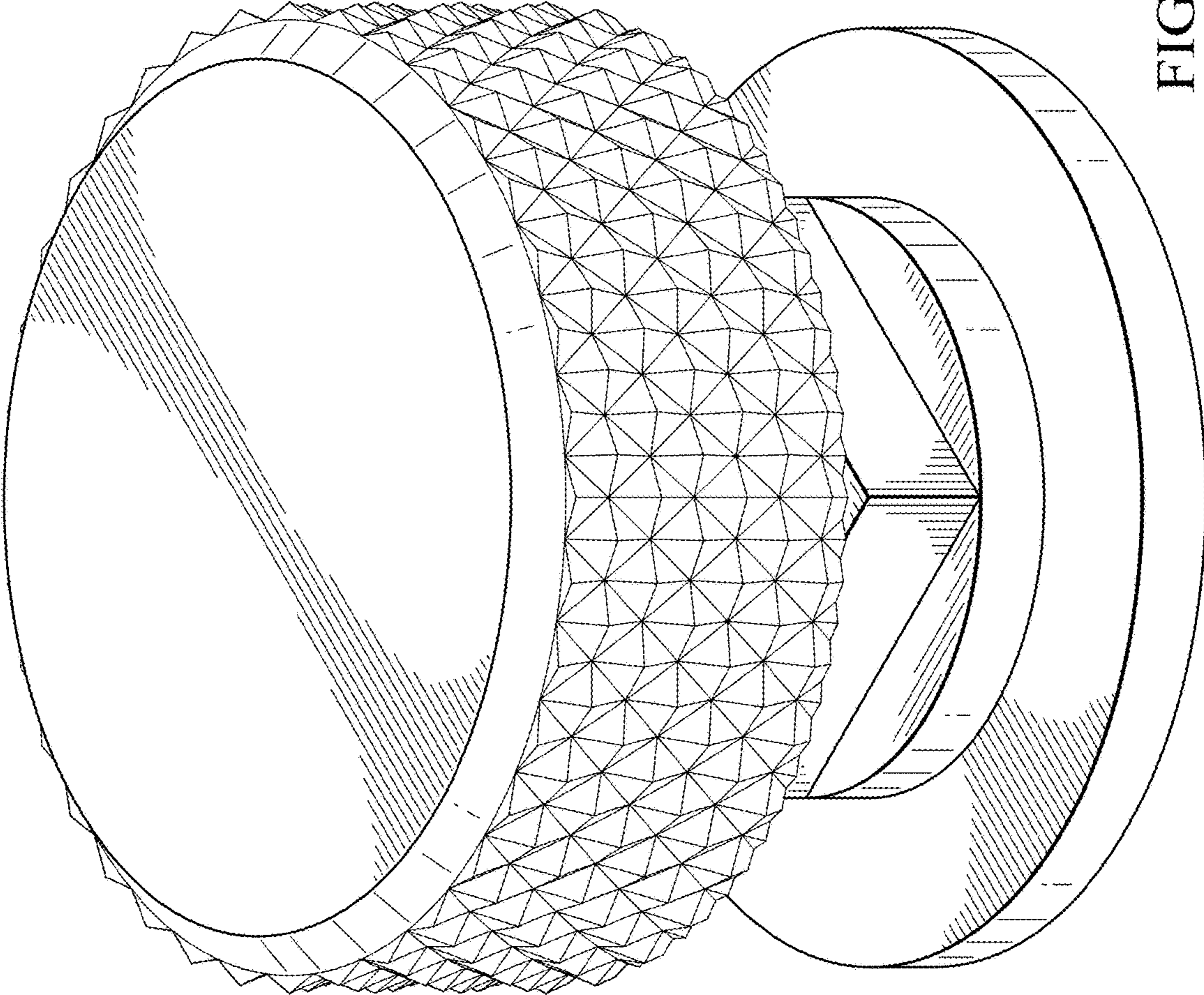


FIG. 8