



US00D796304S

(12) **United States Design Patent**
O'Hare

(10) **Patent No.:** **US D796,304 S**

(45) **Date of Patent:** **** Sep. 5, 2017**

(54) **WHEEL ADAPTER FITTING FOR COOLERS**

(71) Applicant: **Curtis Lee Wayne O'Hare**, Cabot, AR (US)

(72) Inventor: **Curtis Lee Wayne O'Hare**, Cabot, AR (US)

(**) Term: **15 Years**

(21) Appl. No.: **29/541,598**

(22) Filed: **Oct. 6, 2015**

(51) **LOC (10) Cl.** **08-05**

(52) **U.S. Cl.**
USPC **D8/375; D8/374**

(58) **Field of Classification Search**
USPC D8/15, 16, 19, 20, 72-74, 349, 374, 375, D8/376, 366, 354, 382, 499, 680, 681, D8/310, 307, 321, 399, 398; D17/20, 99, D17/9; D6/613, 615, 616, 708.16, 710, D6/553, 709.2; D7/388, 701; D21/302, D21/386, 443; D23/259; D14/238; D25/133; D3/318, 328
CPC A47C 7/006; A47C 7/62; A47B 91/12; B60T 3/00; A47F 1/065; G10C 3/16
See application file for complete search history.

(56) **References Cited**

U.S. PATENT DOCUMENTS

3,478,381	A *	11/1969	Schultz, Jr.	B60B 33/0002	16/29
4,846,493	A	7/1989	Mason		
5,259,215	A	11/1993	Rocca		
5,423,195	A	6/1995	Peters		
5,465,985	A	11/1995	Devan		
5,489,107	A	2/1996	Kho		
D375,202	S *	11/1996	Vermillion	D3/318	
D406,747	S *	3/1999	Sonntag	D8/354	
5,934,639	A *	8/1999	Chiang	A47B 91/00	16/30

D429,625	S *	8/2000	Sikkila	D8/354
D432,902	S *	10/2000	Thiel	D8/354
D434,904	S *	12/2000	Huang	D3/318
D466,797	S *	12/2002	Wu	D8/374
D498,053	S *	11/2004	Nordstrom	A45C 5/14
				D3/318
D575,512	S *	8/2008	Moon	D3/318
D575,957	S *	9/2008	Scicluna	D3/318
D576,407	S *	9/2008	Moon	D3/318
9,022,395	B1	5/2015	Vanderberg	
2015/0084291	A1	3/2015	Yoder	
2015/0115555	A1	4/2015	Cates	

* cited by examiner

Primary Examiner — Robert M Spear
Assistant Examiner — Eliza Bennett-Hattan
(74) *Attorney, Agent, or Firm* — Stephen D. Carver

(57) **CLAIM**

The ornamental design for an wheel adapter fitting for coolers, as shown and described.

DESCRIPTION

FIG. 1 is a front elevational showing my new wheel adapter fitting for coolers in use upon a cooler, with dashed lines showing environment;
FIG. 2 is a frontal, upper isometric view showing my new design;
FIG. 3 is a lower, rear isometric view thereof;
FIG. 4 is an upper, rear isometric view thereof ;
FIG. 5 is a right side elevational view thereof;
FIG. 6 is rear plan view thereof;
FIG. 7 is right side elevational view thereof;
FIG. 8 is left side elevational view thereof;
FIG. 9 is a top plan view thereof; and,
FIG. 10 is a bottom plan view thereof.
The broken lines in the drawing depict environmental subject matter only and form no part of the claimed design.

1 Claim, 7 Drawing Sheets

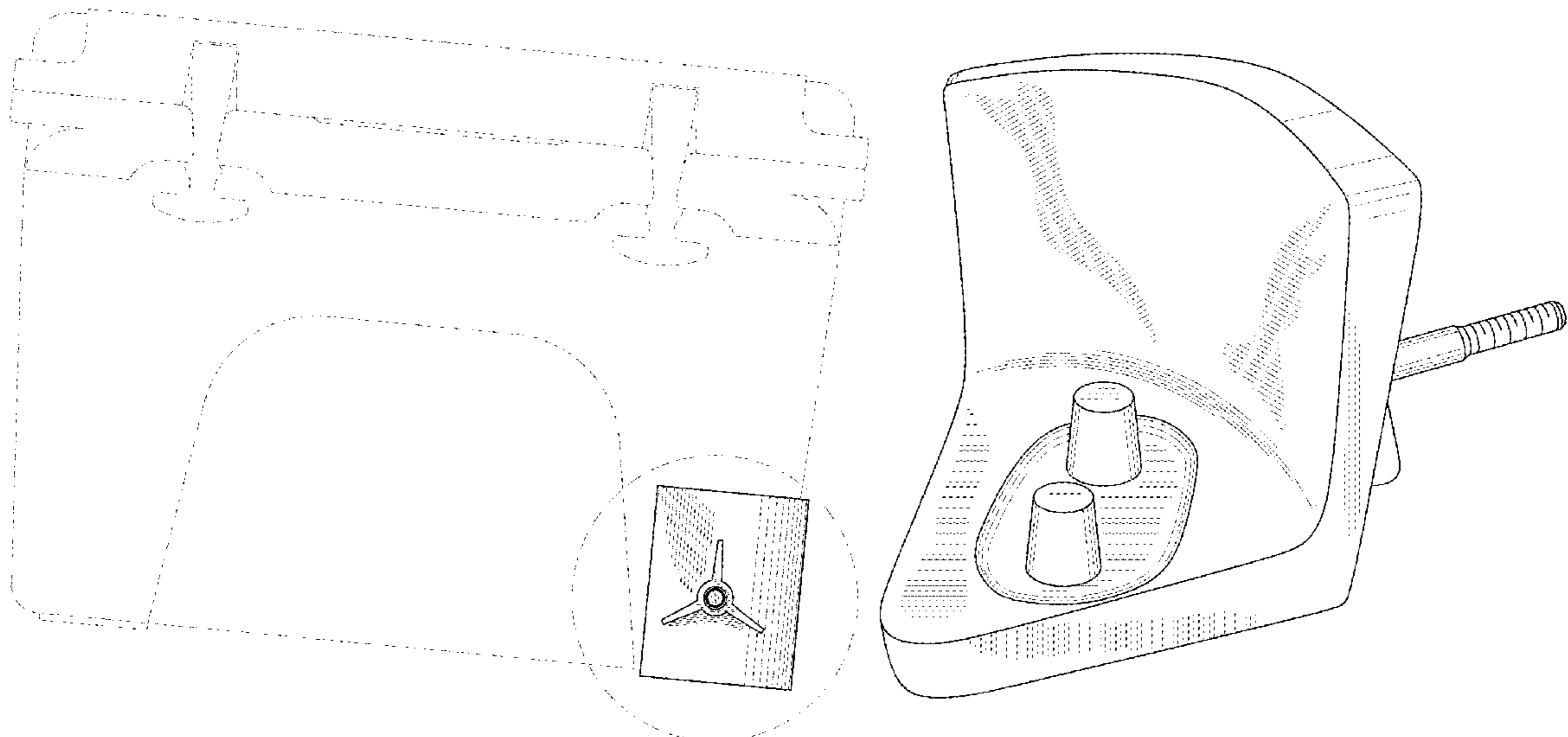


FIG. 1

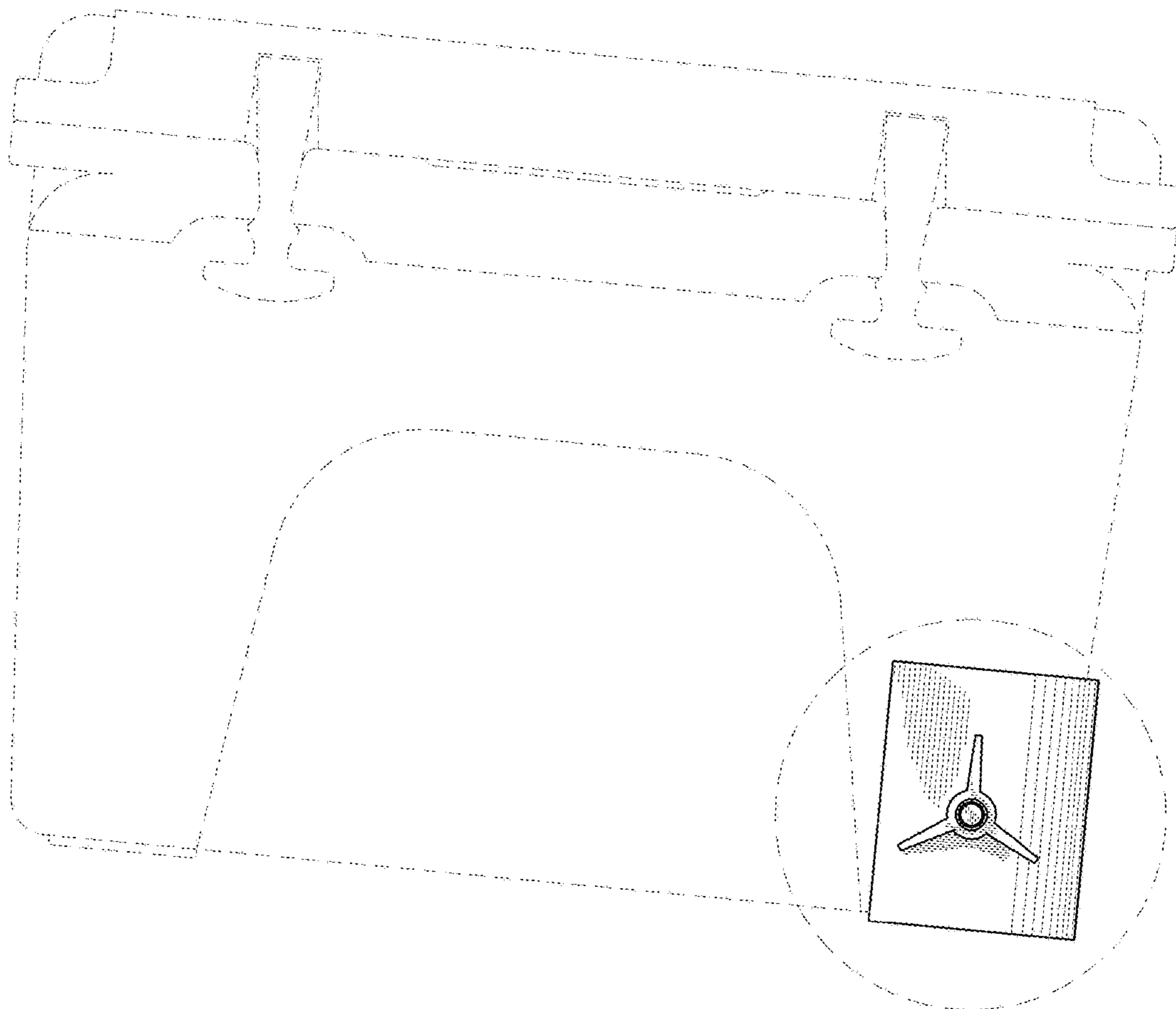


FIG. 2

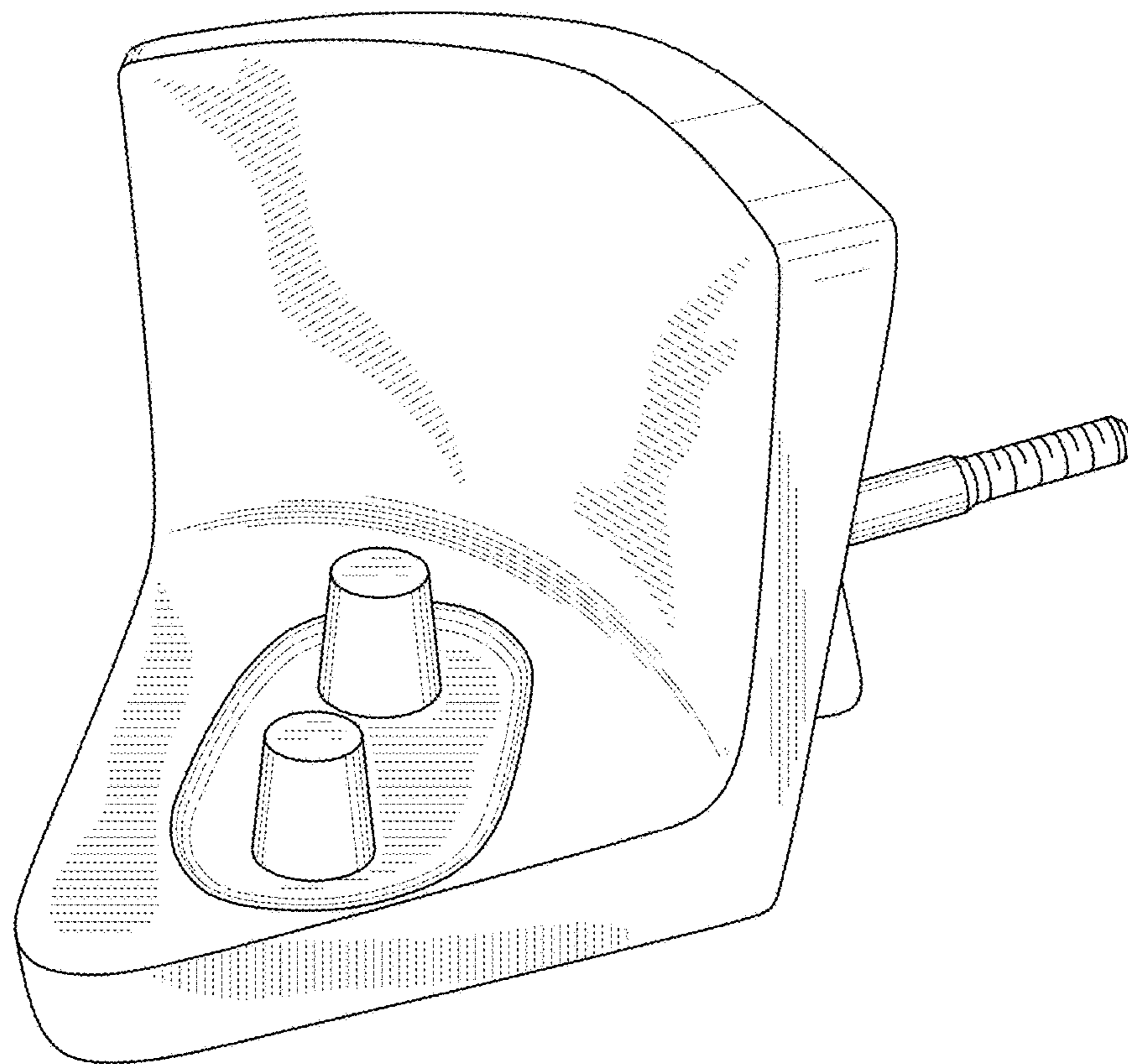


FIG. 3

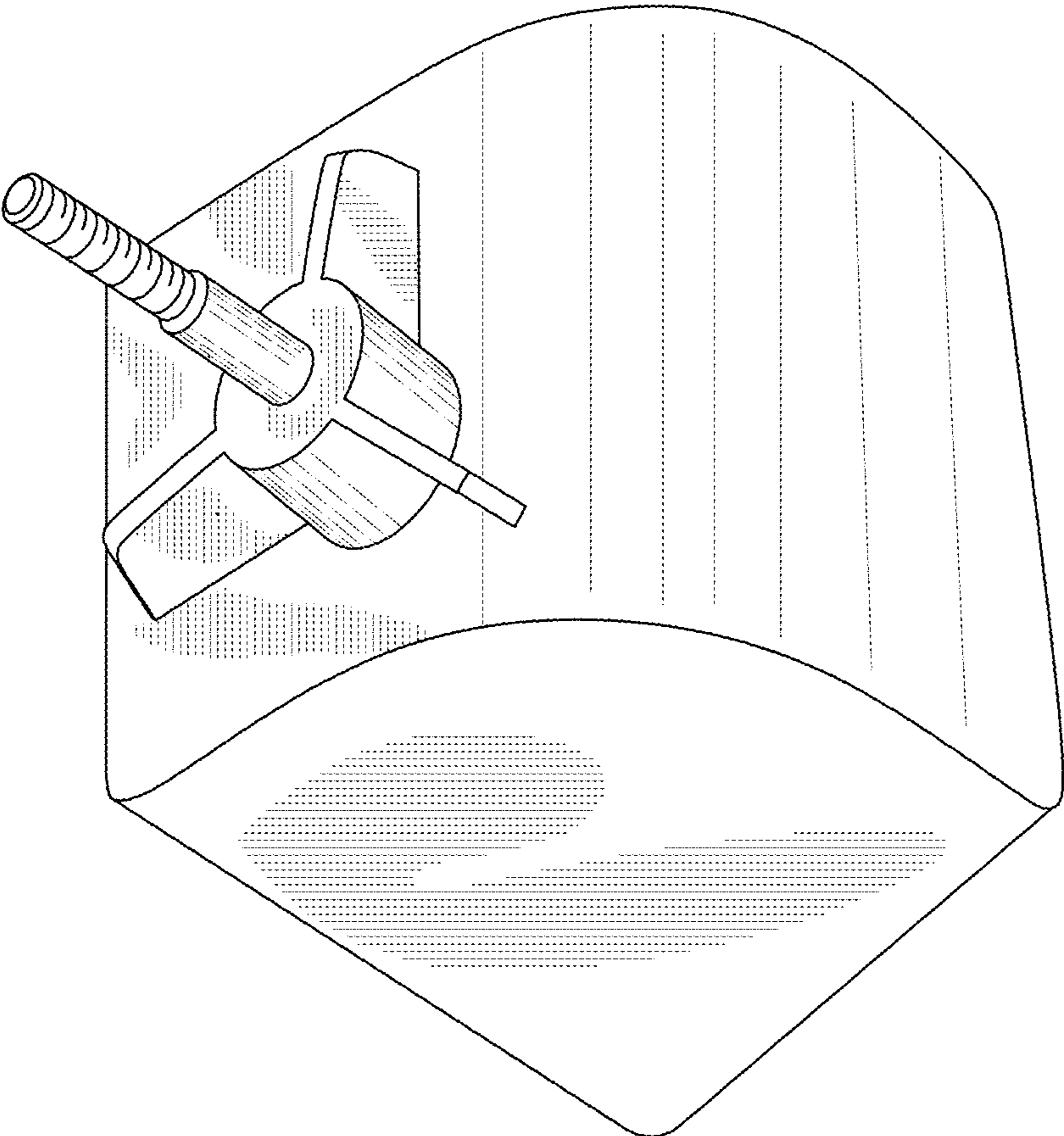


FIG. 4

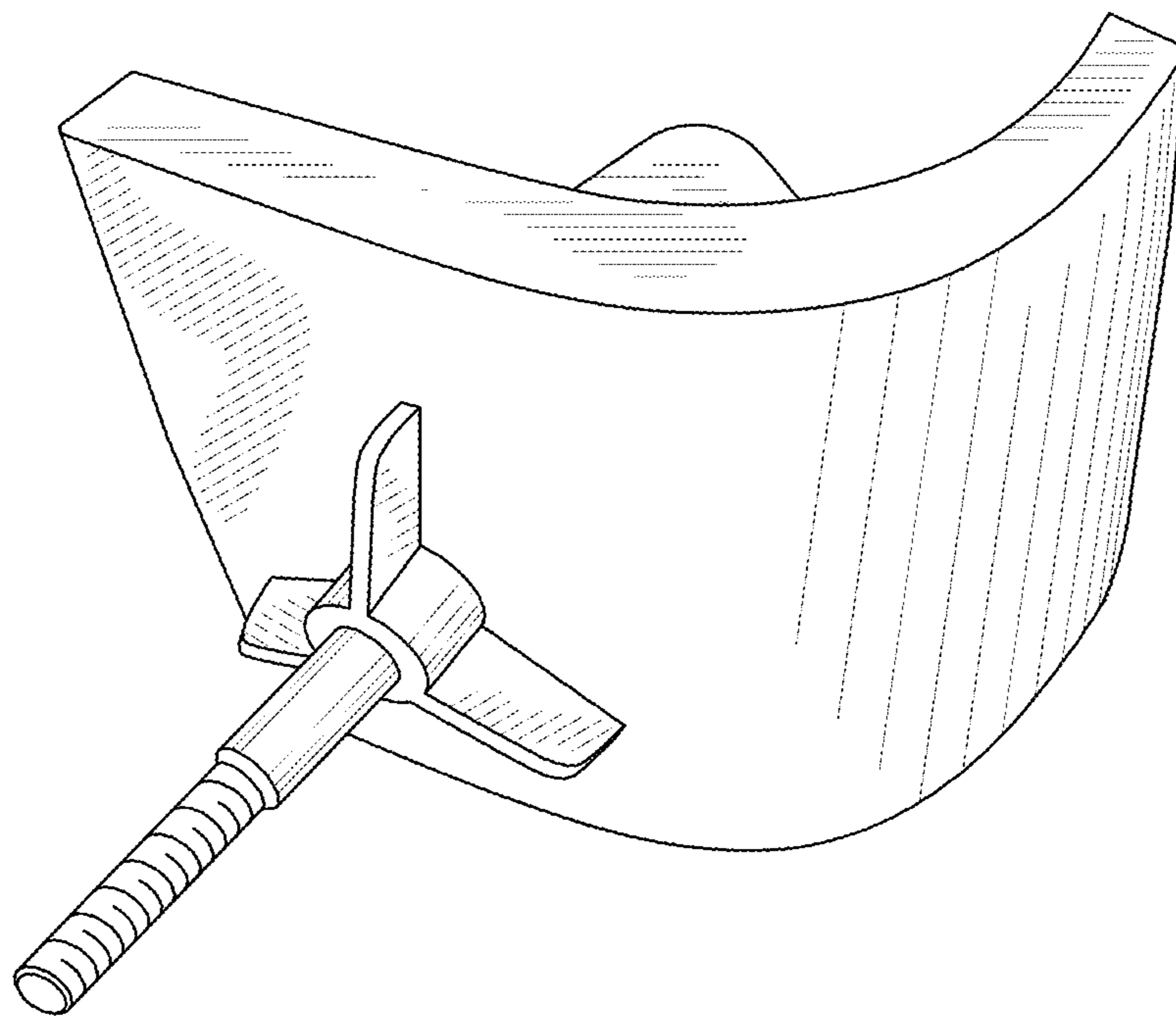


FIG. 5

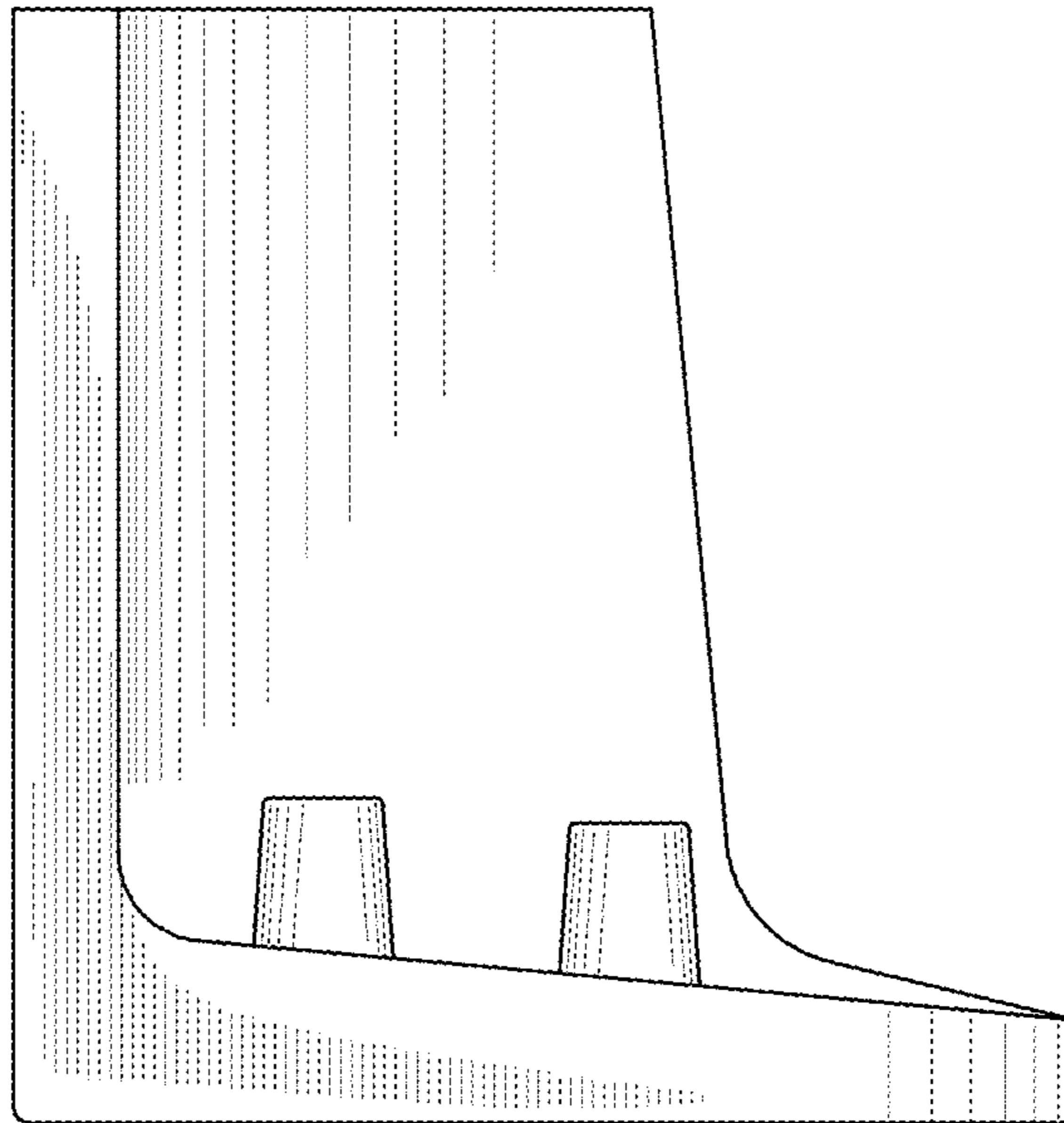
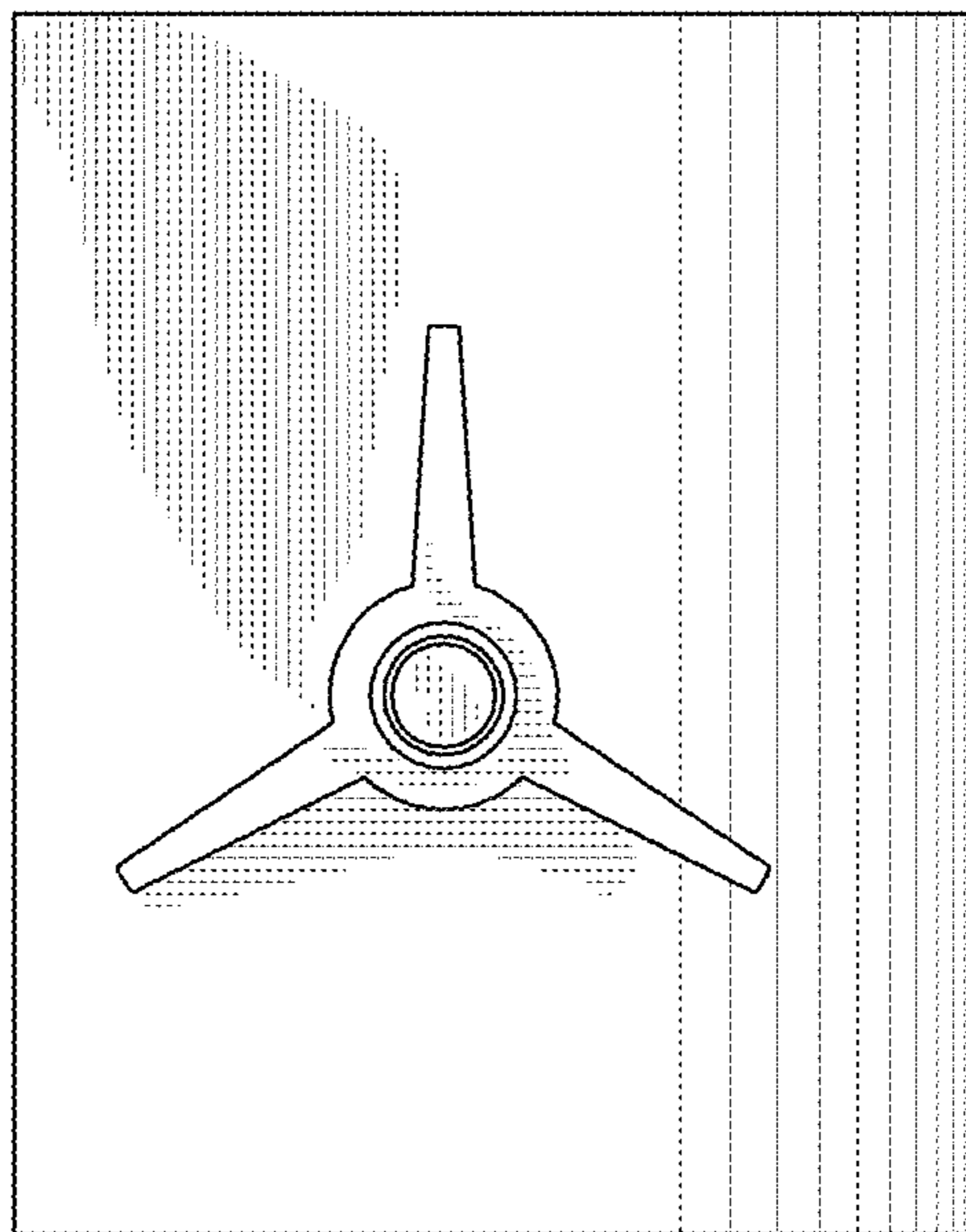


FIG. 6



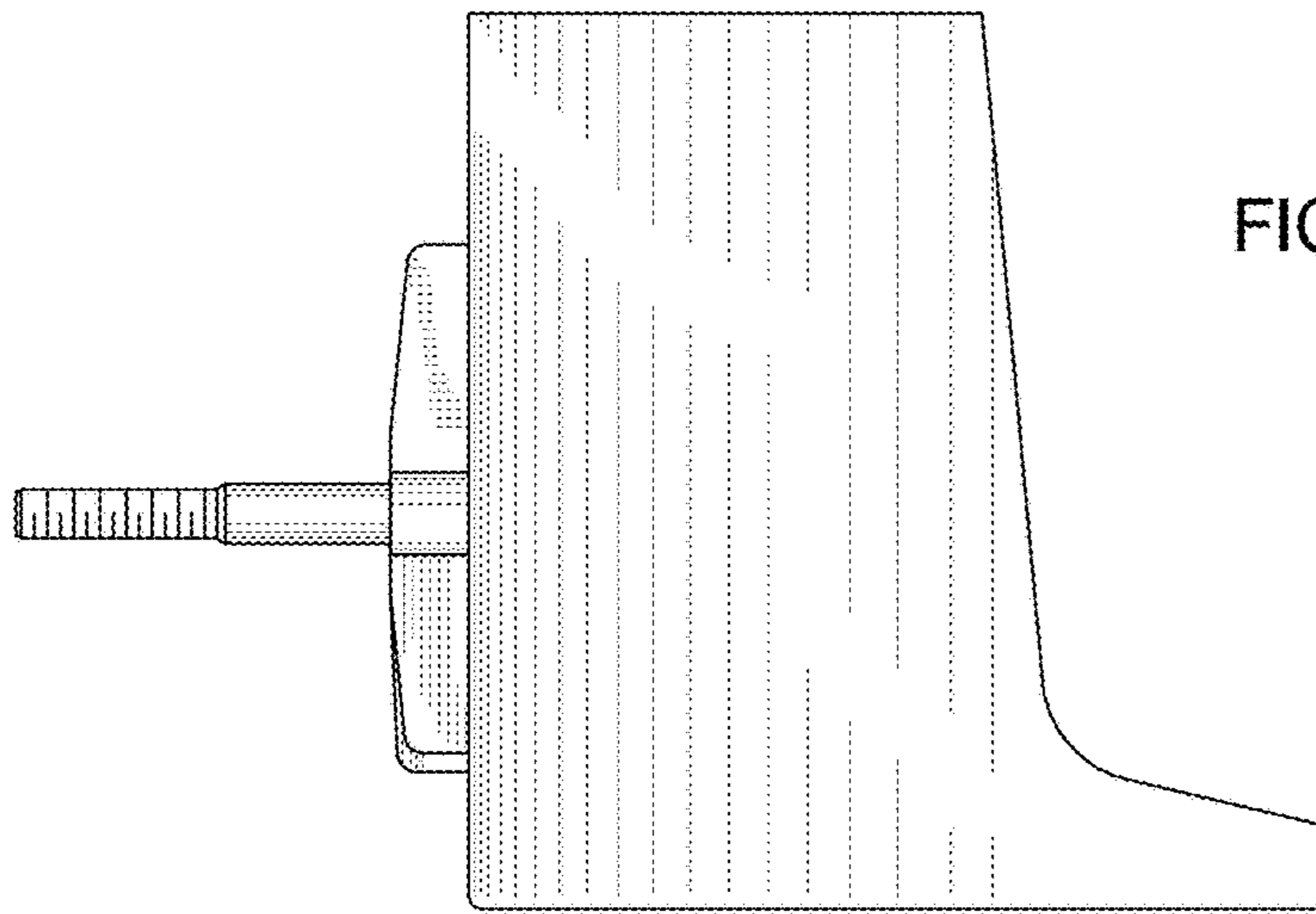


FIG. 7

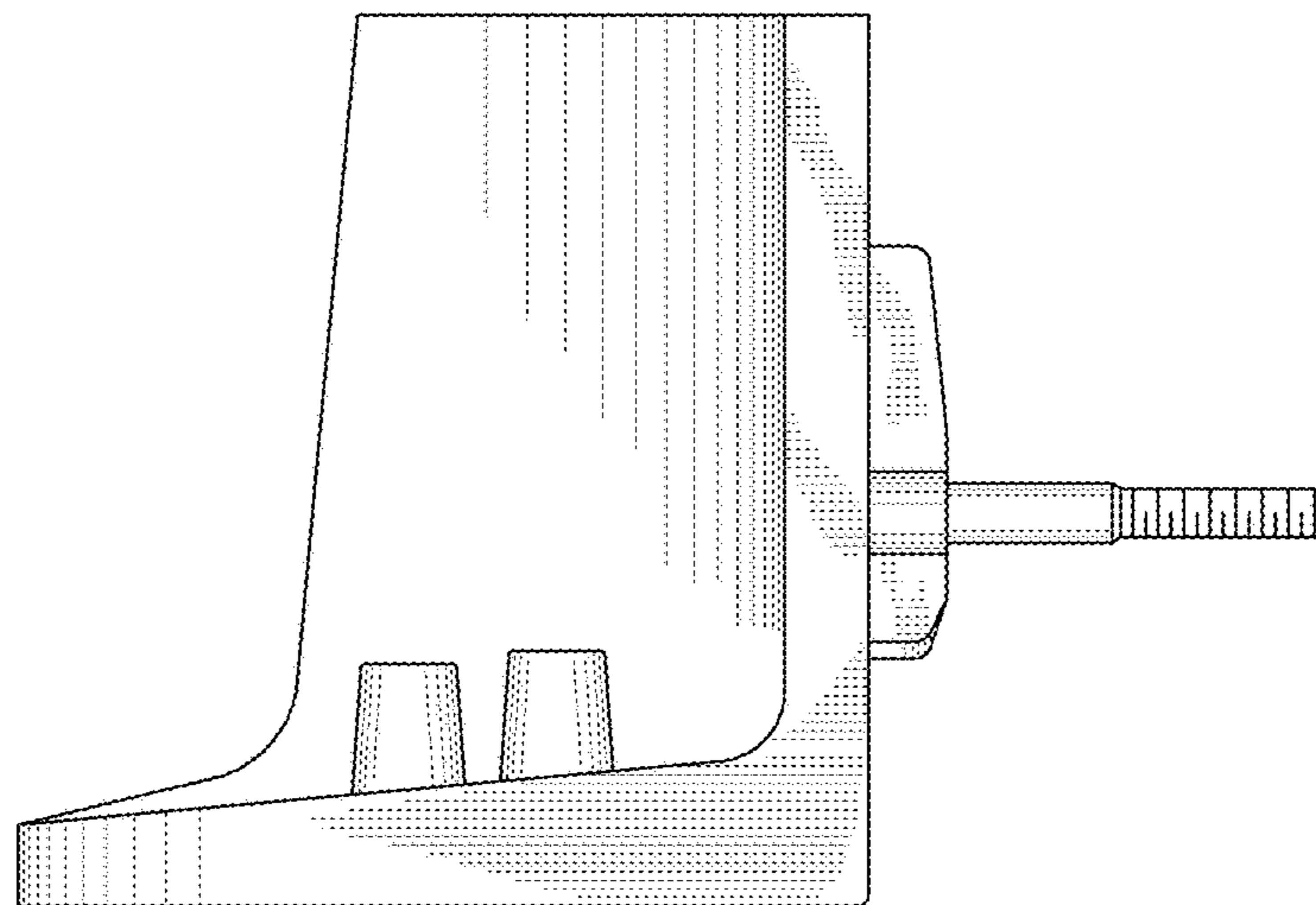


FIG. 8

FIG. 9

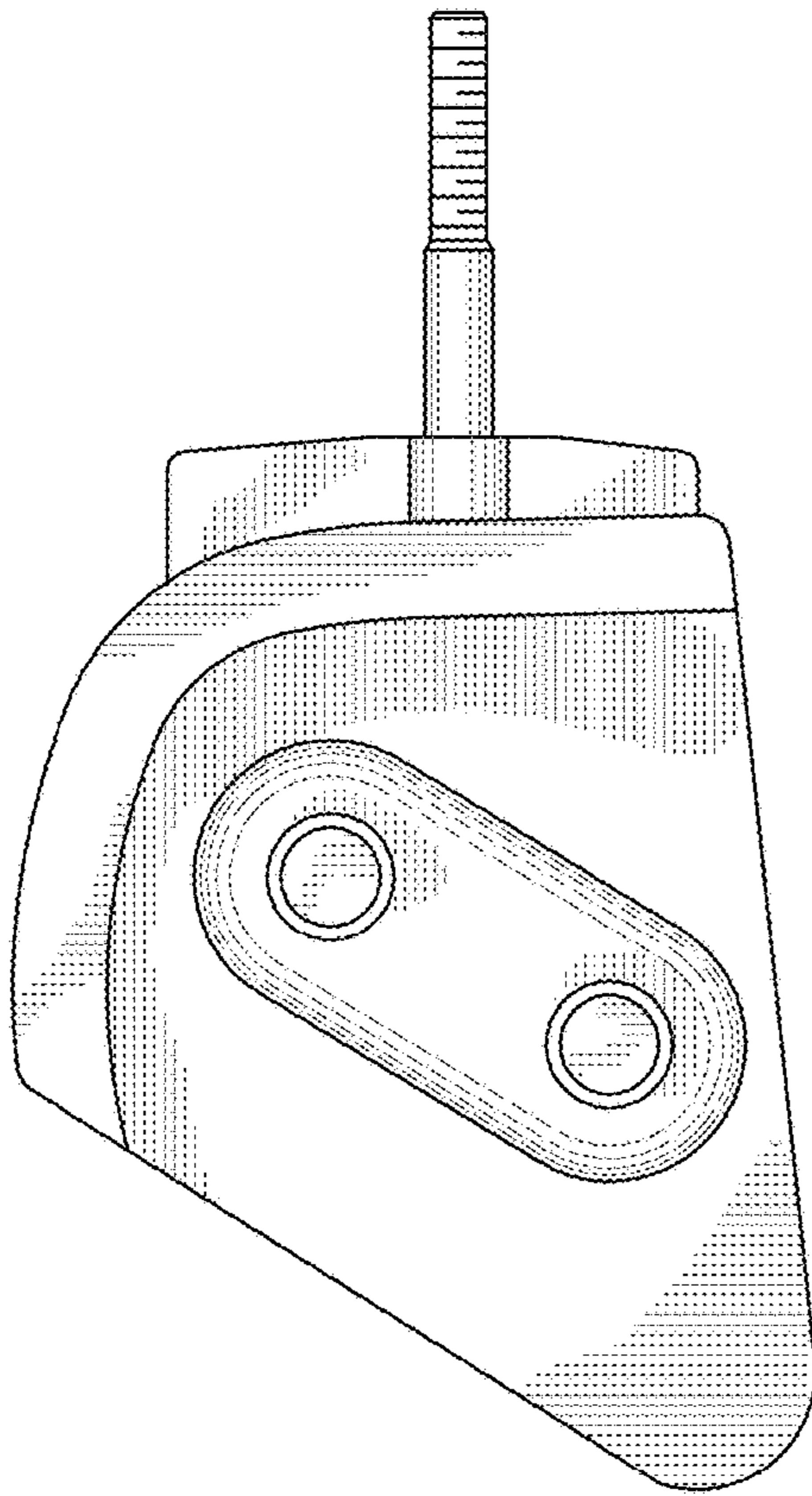


FIG. 10

