



US00D796303S

(12) **United States Design Patent**
Stultz

(10) **Patent No.:** **US D796,303 S**
(45) **Date of Patent:** **** Sep. 5, 2017**

- (54) **BAR FOR ELONGATED MEMBERS**
- (71) Applicant: **Agile Equipment, LLC**, Dallas, TX (US)
- (72) Inventor: **David Stultz**, Odessa, TX (US)
- (73) Assignee: **AGILE OILFIELD SERVICES, LLC**, Dallas, TX (US)
- (**) Term: **15 Years**
- (21) Appl. No.: **29/603,092**
- (22) Filed: **May 5, 2017**
- (51) **LOC (10) Cl.** **08-05**
- (52) **U.S. Cl.**
USPC **D8/354**
- (58) **Field of Classification Search**
USPC 174/135, 157; D8/354, 373; D25/199, D25/121, 113; 52/729, 731.7, 307, 308; 248/220.31; D6/553
CPC F16L 3/22; F16L 5/00
See application file for complete search history.

- D296,074 S 6/1988 Seyfarth
- 4,776,650 A * 10/1988 Ferenzi A47B 67/02 211/85.2
- 4,886,257 A * 12/1989 Witte B23Q 3/103 269/10
- 4,936,565 A * 6/1990 Fredrickson G09F 7/18 211/59.1
- 4,961,504 A * 10/1990 Larson A47F 5/0807 211/59.1
- D342,015 S * 12/1993 Andrejew D6/553
- 5,305,898 A * 4/1994 Merl A47F 5/0807 211/103
- D378,347 S * 3/1997 Bain D8/354
- 5,657,884 A * 8/1997 Zilincar, III A47F 5/0043 211/103
- 5,791,607 A 8/1998 Thibault et al.
- 5,888,039 A 3/1999 Cooley
- D417,135 S 11/1999 McMahon
- D417,611 S 12/1999 Lande
- D435,435 S * 12/2000 Shea D8/363
- 6,199,706 B1 * 3/2001 Shea A47F 5/08 211/103
- 6,378,811 B1 4/2002 Potter et al.

(Continued)

Primary Examiner — Lakiya Rogers
Assistant Examiner — Harold E Blackwell, II

(56) **References Cited**

U.S. PATENT DOCUMENTS

- 2,417,260 A 3/1947 Morehouse
- 2,849,027 A 8/1958 Tetyak
- 3,091,348 A 5/1963 Neuhauser
- 3,464,661 A 9/1969 Alesi
- 3,523,667 A 8/1970 Guerrero
- 3,856,246 A 12/1974 Sinko
- 4,190,165 A 2/1980 Collins
- 4,199,070 A 4/1980 Magnussen
- 4,306,697 A 12/1981 Mathews
- D265,052 S 6/1982 Husted
- 4,606,466 A * 8/1986 Fredrickson A47F 5/0807 211/162
- 4,615,503 A * 10/1986 Garfinkle A47B 57/265 248/220.31

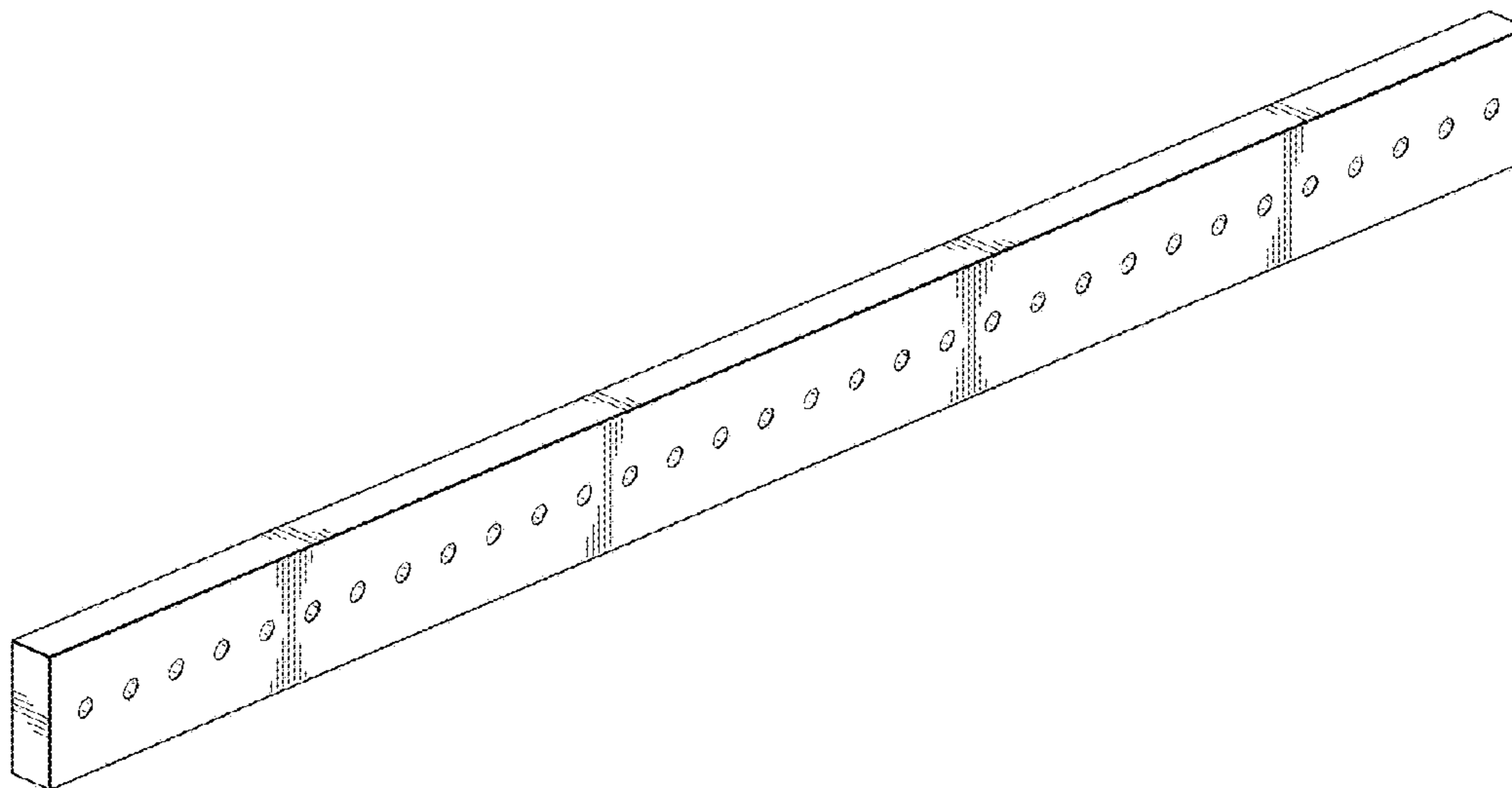
(57) **CLAIM**

The ornamental design for the bar for elongated members, as shown and described.

DESCRIPTION

FIG. 1 is a perspective view of a bar for elongated members in accordance with the present design; FIG. 2 is a front elevation of the design of FIG. 1; FIG. 3 is a rear elevation of the design of FIG. 1; FIG. 4 is a left side view of the design of FIG. 1; FIG. 5 is a right side view of the design of FIG. 1; FIG. 6 is a top view of the design of FIG. 1; and, FIG. 7 is a bottom view of the design of FIG. 1.

1 Claim, 3 Drawing Sheets



(56)

References Cited

U.S. PATENT DOCUMENTS

D457,015 S *	5/2002	Laga	D6/682.2	D618,993 S	7/2010	Reed	
6,520,456 B1	2/2003	Neider et al.		7,850,016 B2	12/2010	Trisler	
6,536,613 B2 *	3/2003	Shea	A47F 5/0807	D631,325 S	1/2011	Azuma et al.	
			211/87.01	7,950,536 B2 *	5/2011	Arradondo	A47F 5/103
D476,220 S *	6/2003	McCoy	D12/223				211/103
D478,271 S *	8/2003	McCoy	D12/223	8,020,811 B2	9/2011	Nelson	
6,959,560 B2 *	11/2005	Weikel	A47F 5/0807	8,074,945 B2	12/2011	Schoenau et al.	
			62/255	8,256,176 B2 *	9/2012	Kuo	E04C 1/42
6,997,330 B2	2/2006	Pachao-Morbitzer et al.					362/432
7,080,864 B2	7/2006	Casteran		8,388,180 B2 *	3/2013	Chang	F21V 5/00
7,131,803 B2	11/2006	Guarisco et al.					362/217.04
7,210,660 B2 *	5/2007	James	A47F 5/0823	8,807,492 B2	8/2014	Lake	
			248/220.31	9,259,853 B2 *	2/2016	Johnson	B28B 7/0061
7,223,052 B1	5/2007	Evans		9,303,791 B2	4/2016	Masters et al.	
D546,756 S *	7/2007	Marquez	D12/414	9,402,330 B2 *	7/2016	Chappell	H05K 7/183
D551,537 S	9/2007	Richardson		D772,047 S	11/2016	McCoy	
D563,768 S *	3/2008	Marino	D8/354	2007/0032357 A1 *	2/2007	Piane, Jr.	A63B 1/00
7,699,756 B2 *	4/2010	Piane, Jr.	A63B 1/00				482/142
			248/222.52	2011/0079685 A1 *	4/2011	Kwak	A47B 81/061
							248/65

* cited by examiner

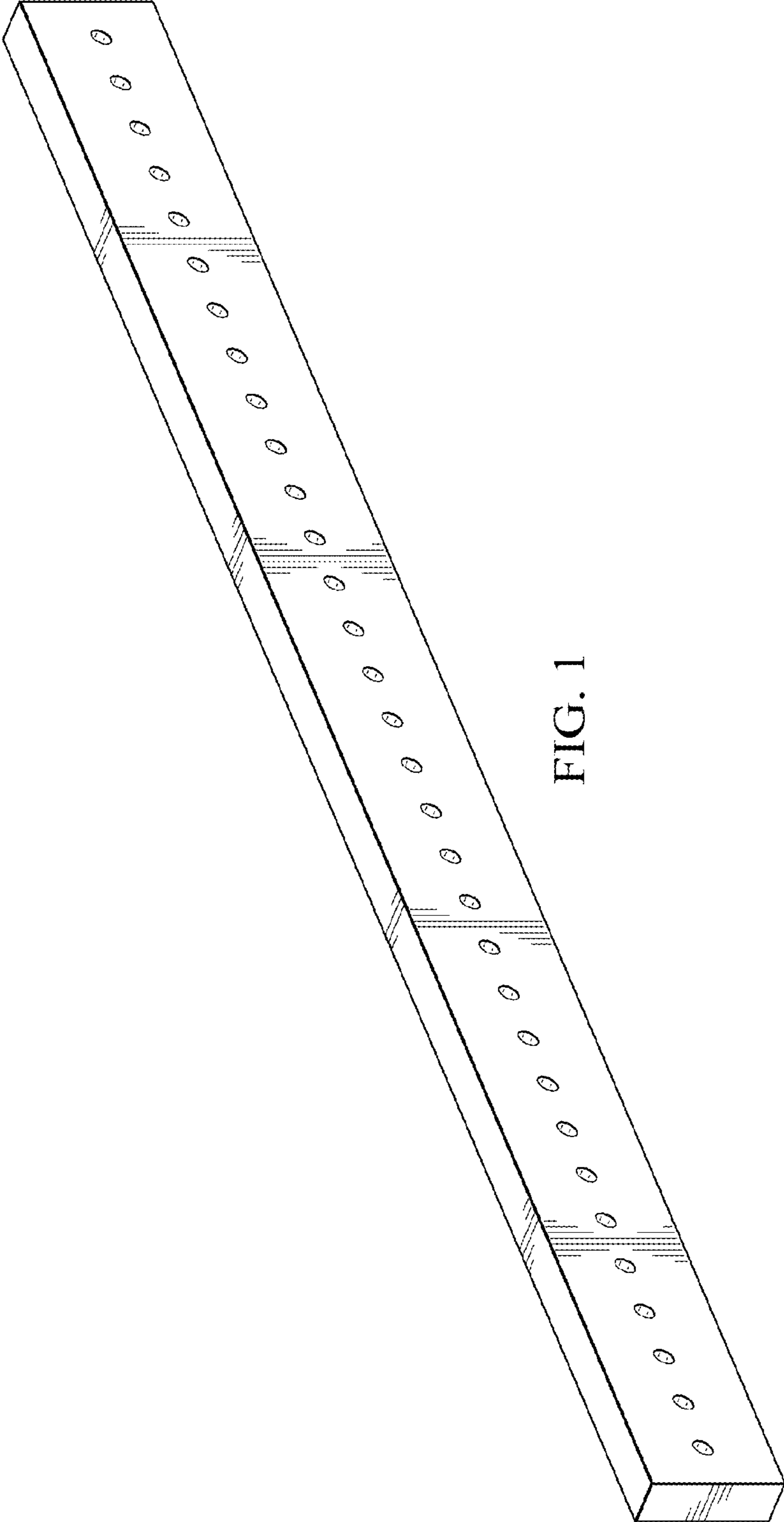


FIG. 1

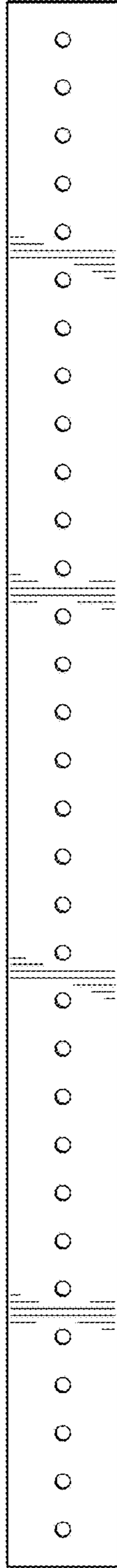


FIG. 2

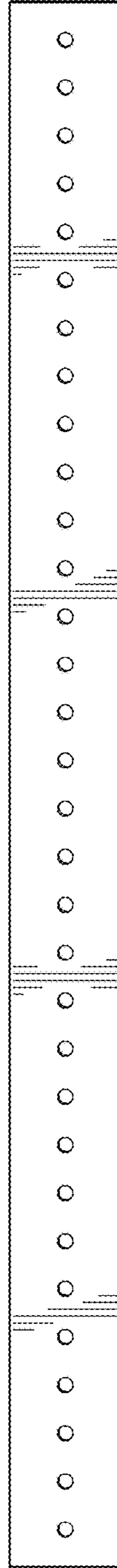


FIG. 3

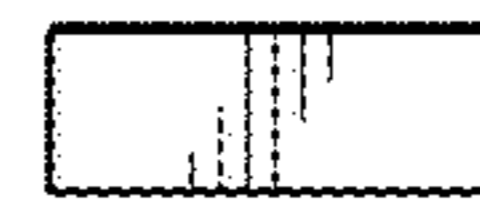


FIG. 4



FIG. 5



FIG. 6



FIG. 7