



US00D796300S

(12) **United States Design Patent** (10) **Patent No.:** **US D796,300 S**
Votel et al. (45) **Date of Patent:** **** Sep. 5, 2017**

- (54) **LOCK CLIP**
- (71) Applicant: **Tenacious Holdings, Inc.**, St. Paul, MN (US)
- (72) Inventors: **Thomas Votel**, Sunfish Lake, MN (US);
Andrew Olson, Minneapolis, MN (US);
Dominique Aris, Louisville, CO (US)
- (73) Assignee: **Tenacious Holdings, Inc.**, St. Paul, MN (US)
- (**) Term: **15 Years**
- (21) Appl. No.: **29/578,191**
- (22) Filed: **Sep. 19, 2016**

Related U.S. Application Data

- (63) Continuation-in-part of application No. 14/552,584, filed on Nov. 25, 2014.
- (51) **LOC (10) Cl.** **08-07**
- (52) **U.S. Cl.**
USPC **D8/343**
- (58) **Field of Classification Search**
USPC D8/330, 331, 343, 344, 349, 354, 382,
D8/394, 400; 70/51, 224, 431, 465, 466;
292/253, 256, 288, 346, 95; 351/111,
351/112, 133, 75, 96, 158
CPC E05B 9/127; E05B 9/068; E05B 9/122;
G02B 2027/0178
See application file for complete search history.

(56) **References Cited**

U.S. PATENT DOCUMENTS

- D353,532 S * 12/1994 Miller D8/341
- 5,429,289 A * 7/1995 Lamson A47L 13/512
119/769
- 6,732,983 B1 * 5/2004 Blake H02G 3/32
248/74.2

- 6,796,672 B2 * 9/2004 Parsons A44B 15/00
362/116
- 6,908,194 B1 * 6/2005 Johnson G02C 3/003
351/140
- D681,441 S * 5/2013 Tung D8/343
- 8,888,337 B2 * 11/2014 Adams, IV F21V 21/088
362/287
- 9,062,447 B2 * 6/2015 Lehane, Jr. E04B 9/122
- D748,463 S * 2/2016 Turksu D14/440
- 9,592,720 B2 * 3/2017 Moebius B60J 5/0418
- 9,616,722 B2 * 4/2017 Williams B60D 1/52
- 9,637,918 B1 * 5/2017 Carbajal E04B 9/127

* cited by examiner

Primary Examiner — Prabhakar G Deshmukh

(74) *Attorney, Agent, or Firm* — Skaar Ulbrich Macari, P.A.

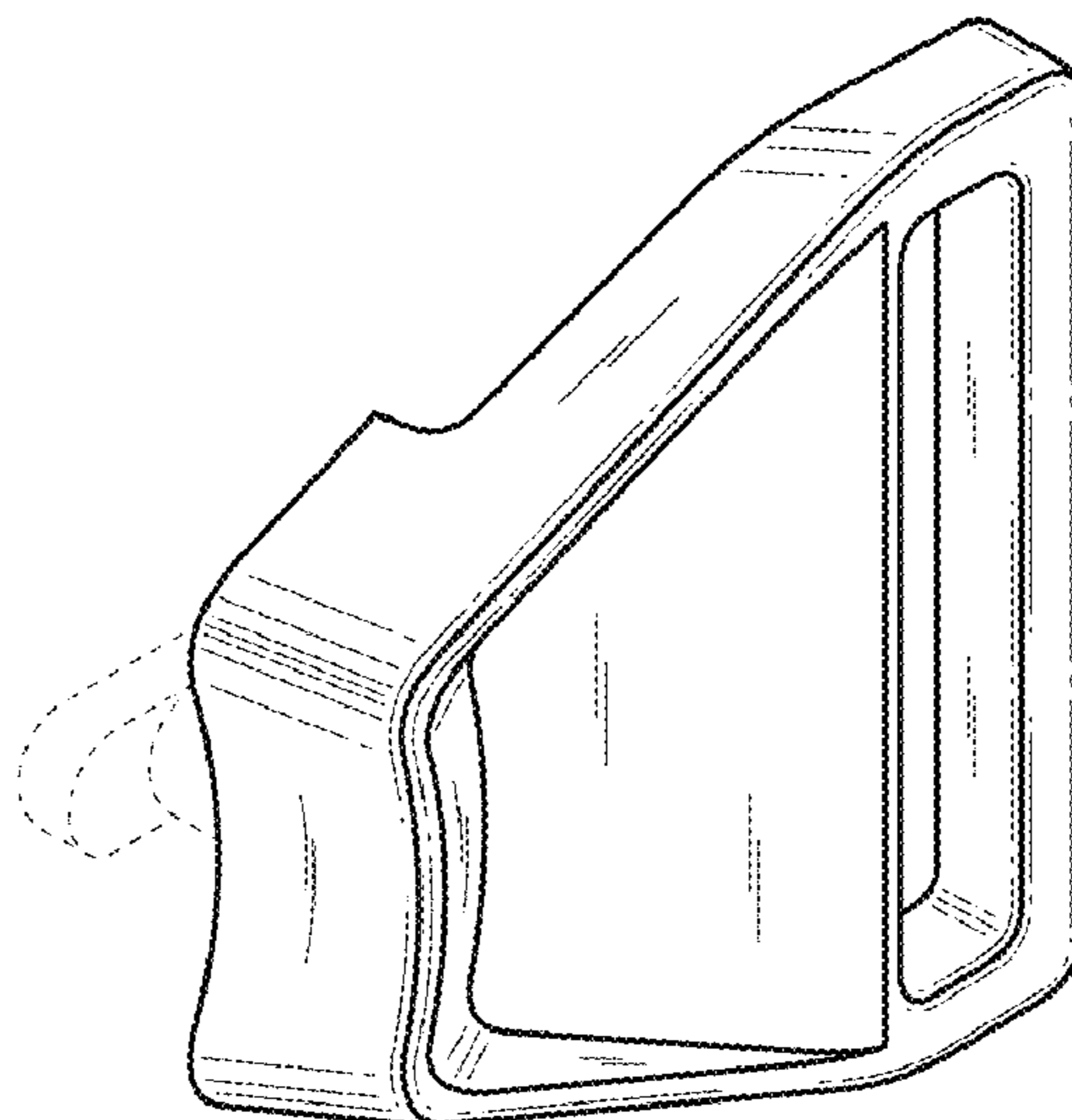
(57) **CLAIM**

We claim the ornamental design for a lock clip, as shown and described.

DESCRIPTION

FIG. 1 is a perspective of our lock clip showing our new design;
 FIG. 2 is a front elevation view thereof;
 FIG. 3 is a back elevation view thereof;
 FIG. 4 is a side elevation view thereof;
 FIG. 5 is an opposite side elevation view thereof;
 FIG. 6 is a top plan view thereof;
 FIG. 7 is a front elevation view of thereof in an unlock position; and,
 FIG. 8 is a front elevation view thereof in a locked position.
 The broken lines in the drawings illustrate features of the article and environment to which the design is applied that form no part of the claim.
 The broken lines in FIGS. 7 and 8 disclose additional environment of handle and forms no part of the claimed design.

1 Claim, 5 Drawing Sheets



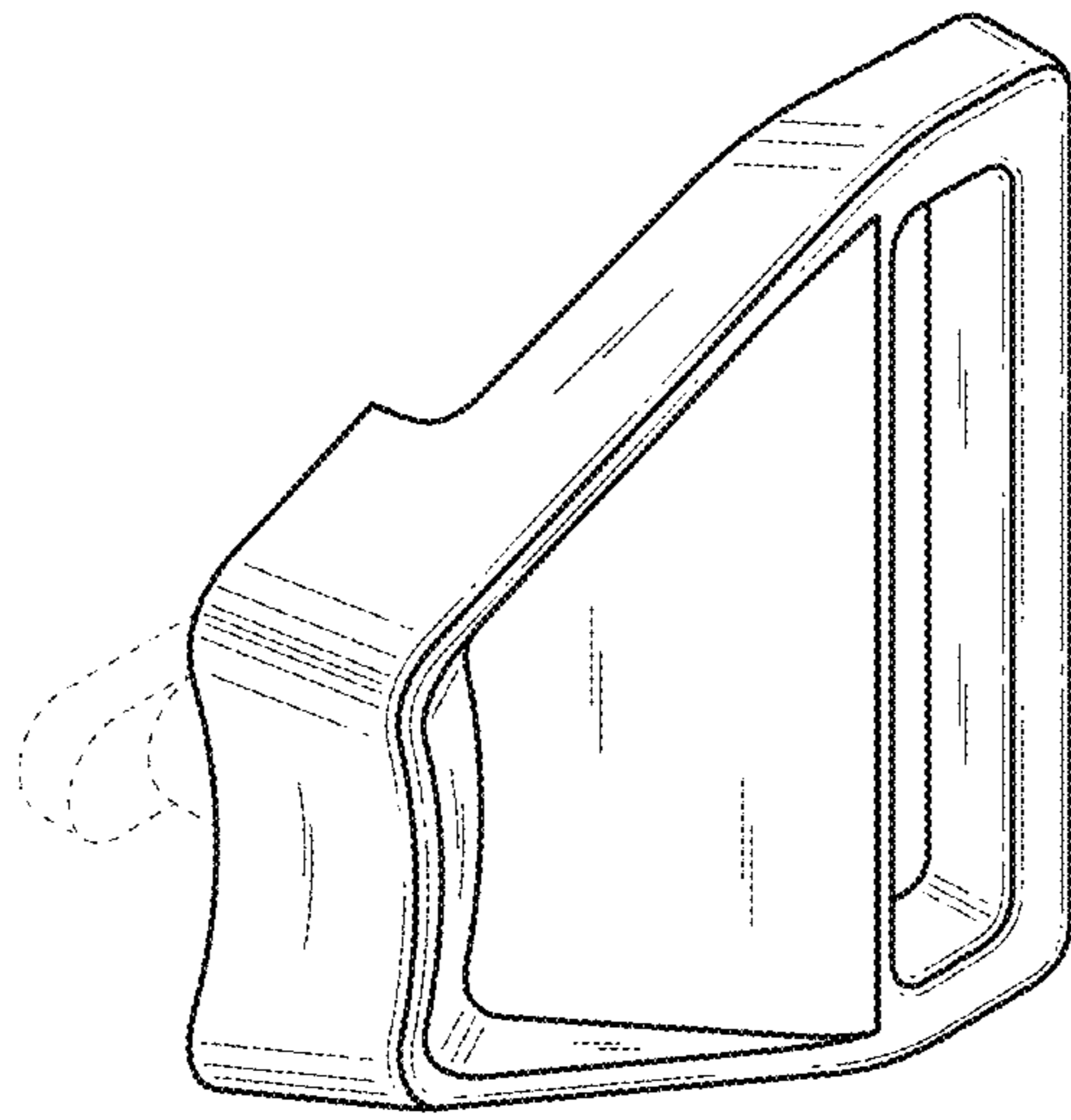


Fig. 1

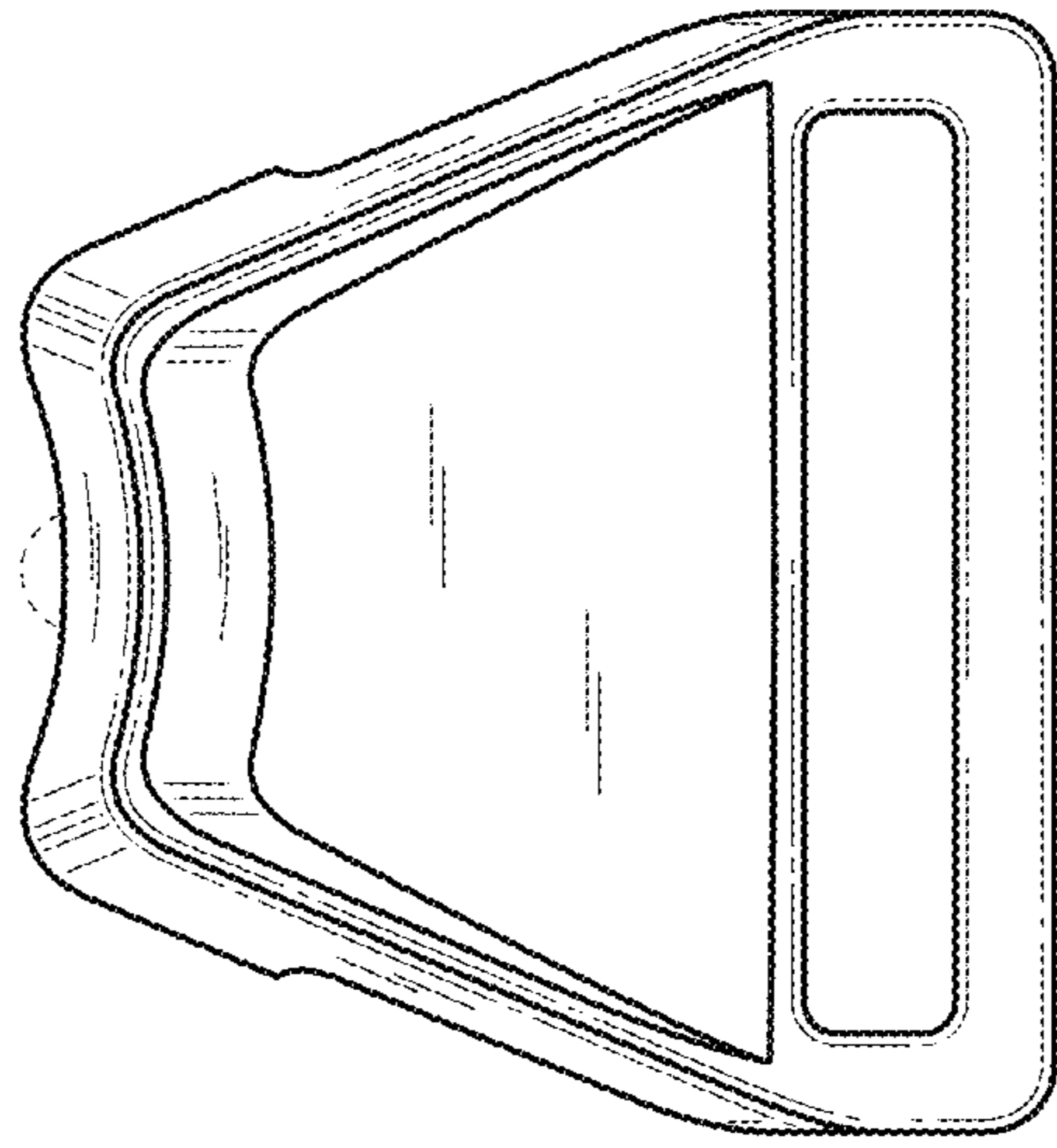


Fig. 2

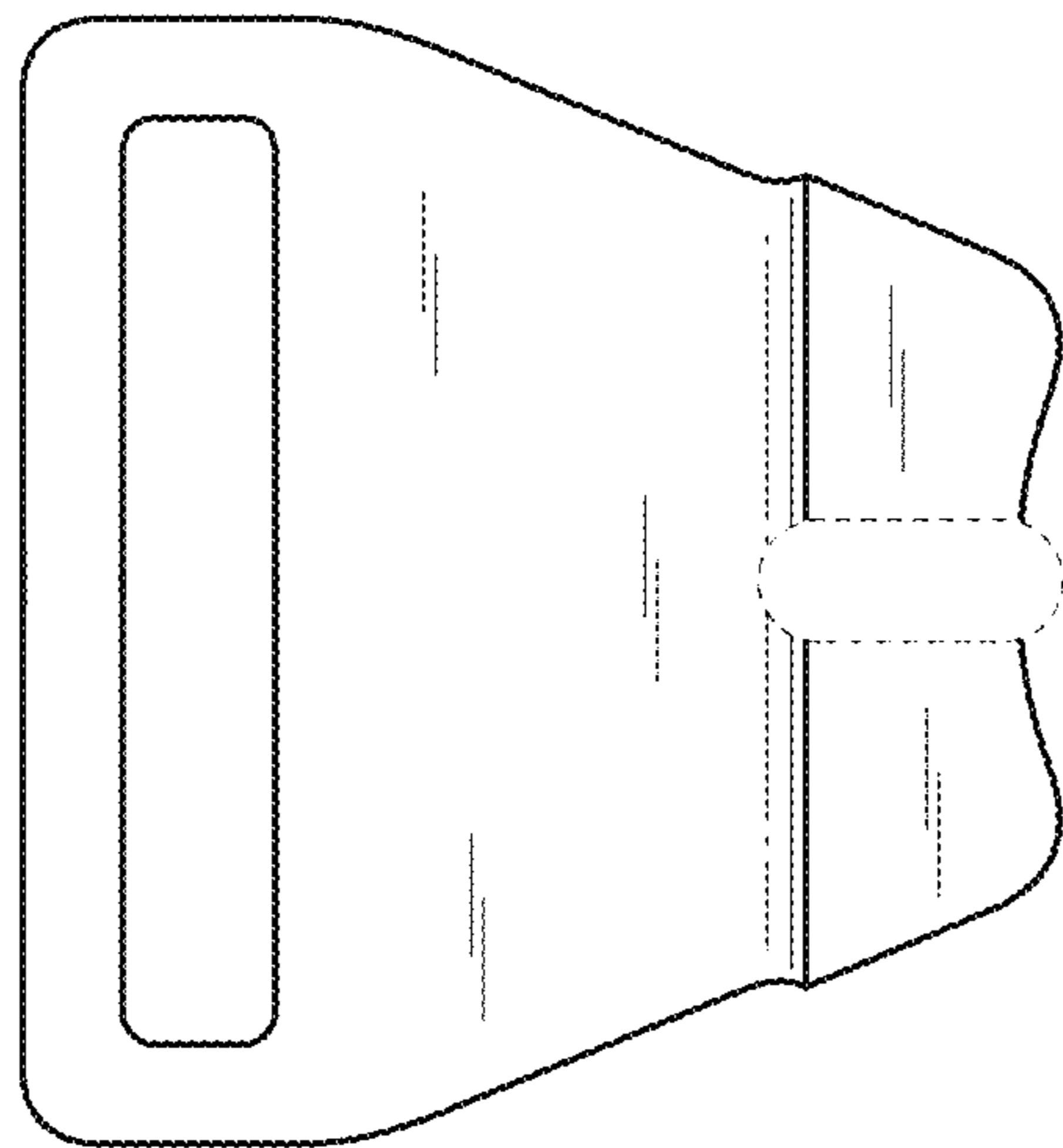


Fig. 3

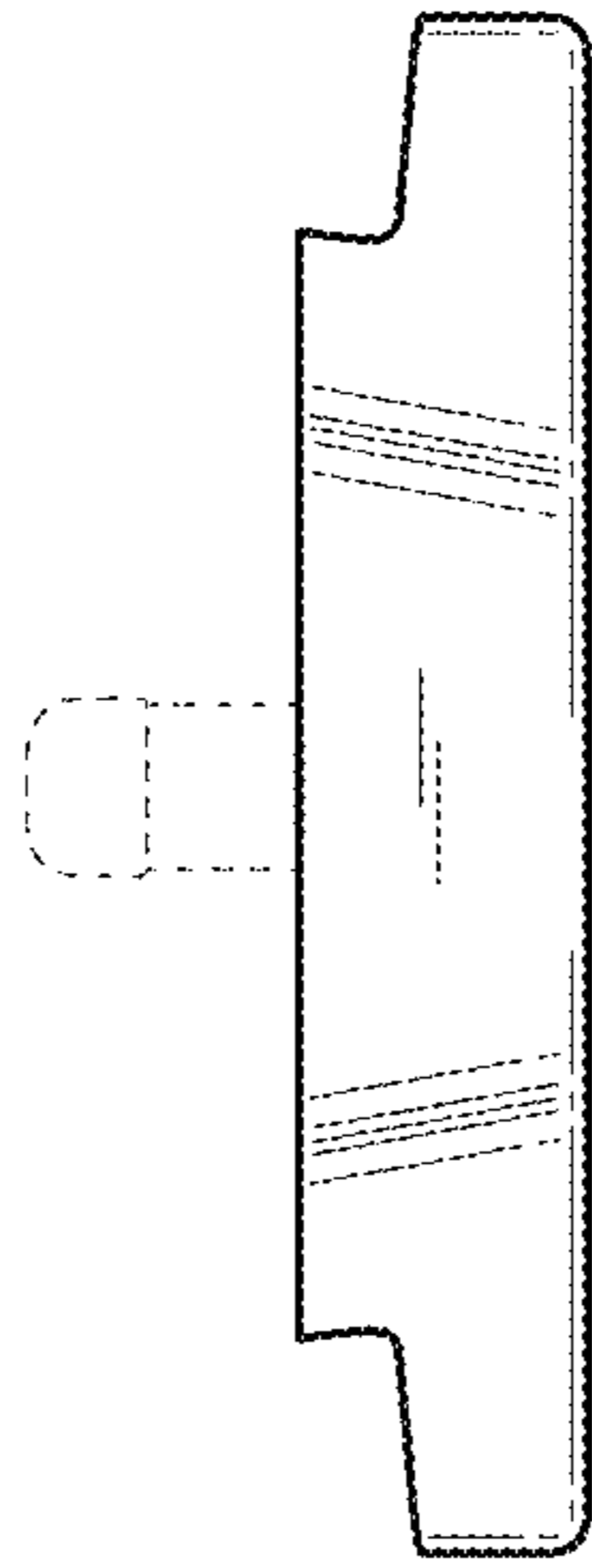


Fig. 4

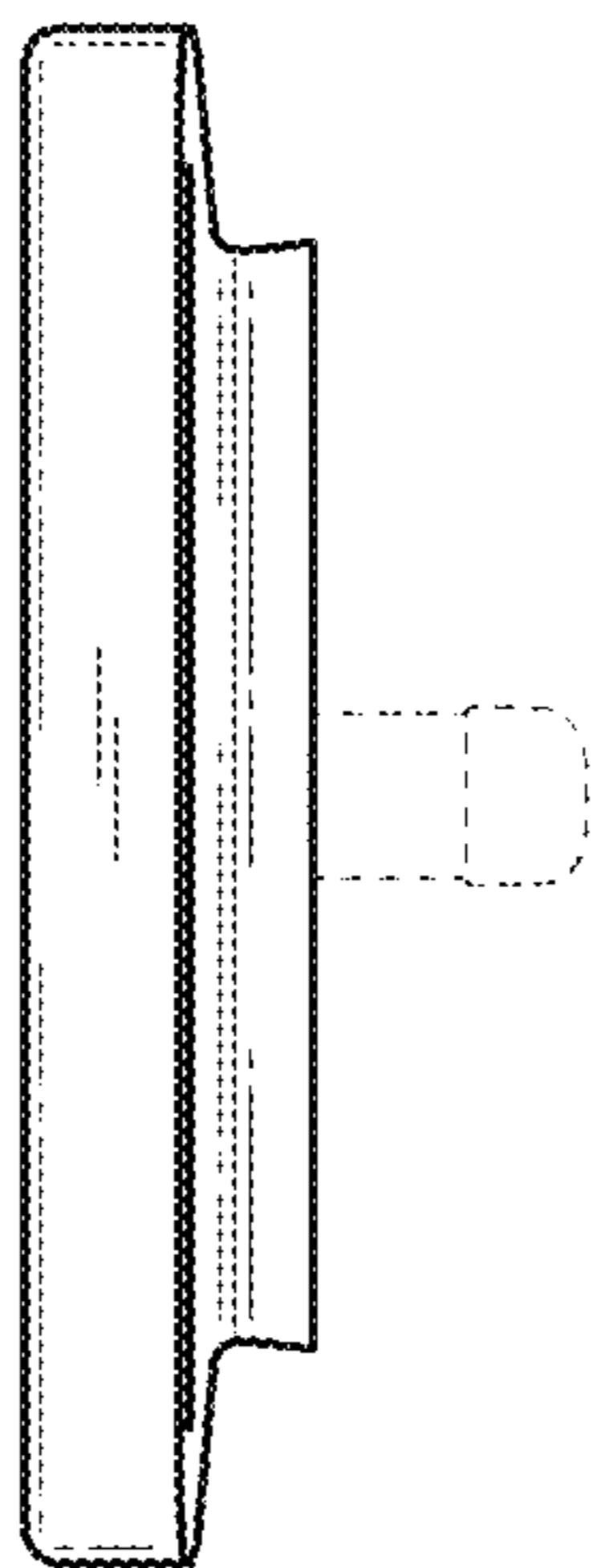


Fig. 5

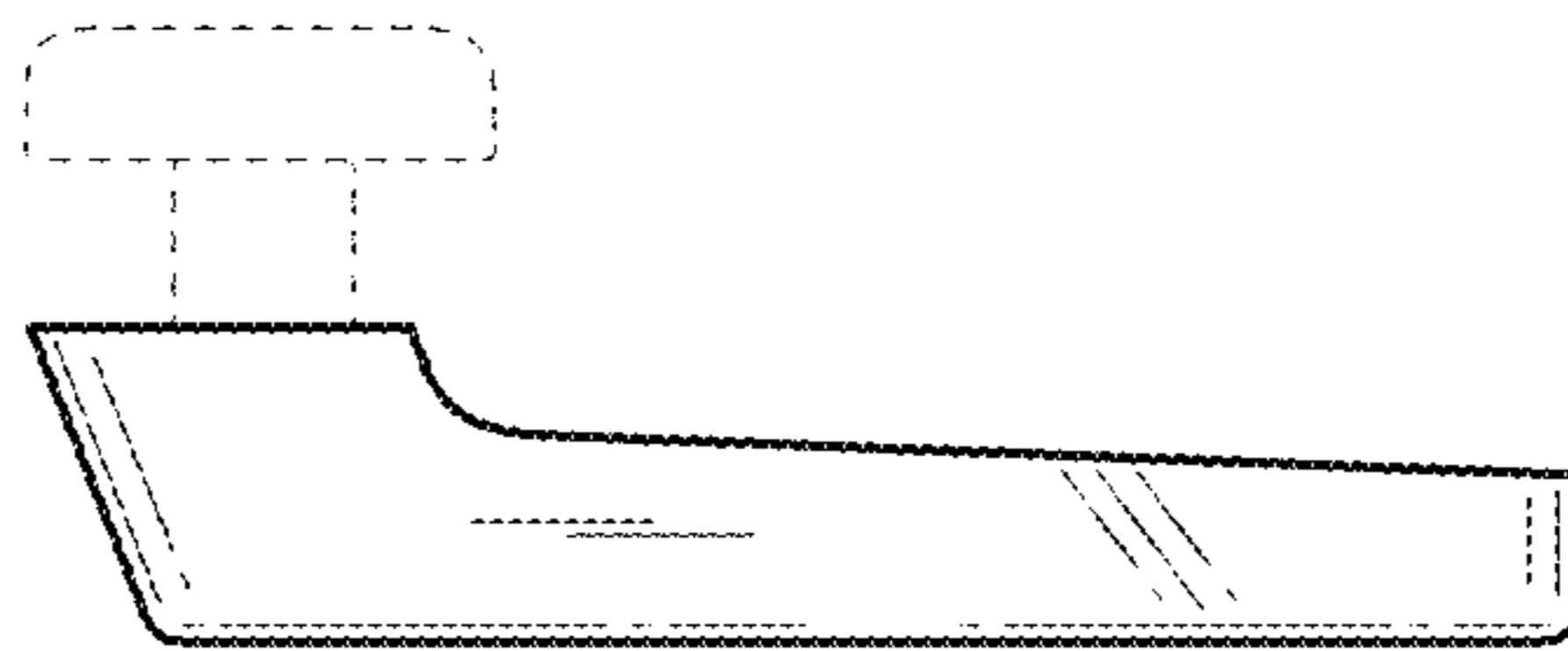


Fig. 6

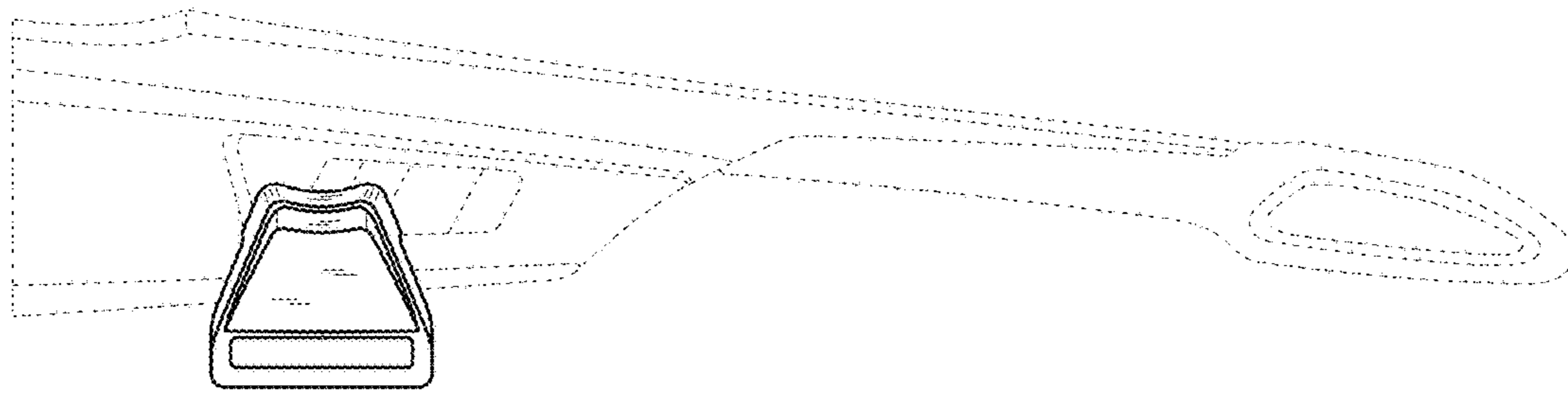


Fig. 7

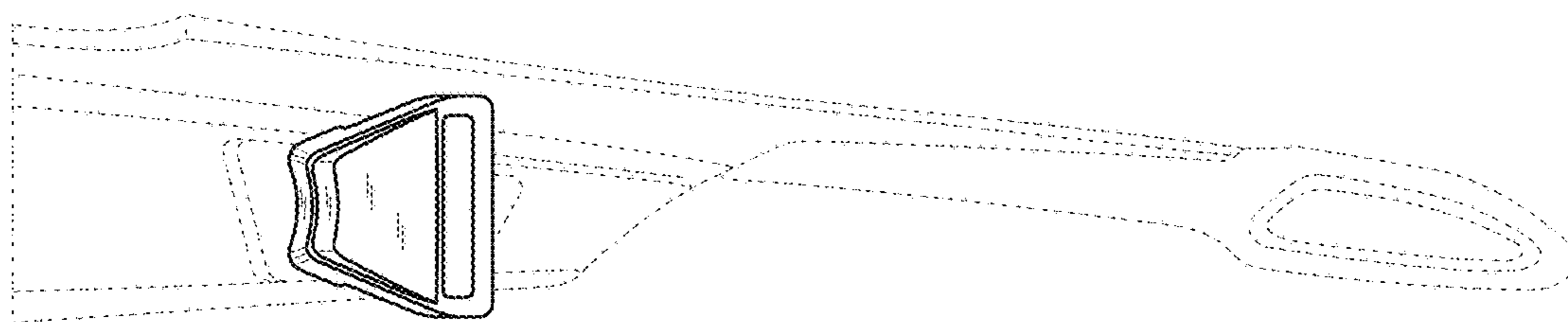


Fig. 8