



US00D796298S

(12) **United States Design Patent**
Lylyk et al.

(10) **Patent No.:** **US D796,298 S**

(45) **Date of Patent:** **** Sep. 5, 2017**

(54) **DEADBOLT FOR DOOR ASSEMBLY**

(71) Applicant: **Tyto Life LLC**, Burlingame, CA (US)

(72) Inventors: **Nicolas Pedro Lylyk**, Palo Alto, CA (US); **John Hillerich Martin**, Atherton, CA (US)

(73) Assignee: **Tyto Life LLC**, Burlingame, CA (US)

(**) Term: **15 Years**

(21) Appl. No.: **29/545,912**

(22) Filed: **Nov. 17, 2015**

(51) **LOC (10) Cl.** **08-07**

(52) **U.S. Cl.**
USPC **D8/331**

(58) **Field of Classification Search**
USPC D8/330, 331, 334, 337, 300, 302, 350, D8/341, 343, 348, 352; 70/14, 20-22, 70/57, 284-286, 314, 229, 230, DIG. 44, 70/DIG. 38, DIG. 39; 292/2, 327, 346
CPC ... E05B 9/00; E05B 9/06; E05B 29/00; E05B 37/00; E05B 59/00; E05N 13/00; E05C 1/00

See application file for complete search history.

(56) **References Cited**

U.S. PATENT DOCUMENTS

4,279,137	A *	7/1981	Cook	E05B 13/04 70/416
5,865,050	A *	2/1999	Michaud	E05B 63/0017 292/150
5,934,122	A *	8/1999	Edwards	E05B 63/0017 70/163
6,564,603	B1 *	5/2003	O'Neill	E05B 9/084 70/371

6,684,670	B1 *	2/2004	Agbay	E05B 67/365 70/14
D532,674	S *	11/2006	Schwalie	D8/331
7,152,442	B2 *	12/2006	Char	E05B 9/084 292/244
7,197,903	B2 *	4/2007	Char	E05B 9/02 70/107
7,213,426	B2 *	5/2007	Qing	E05B 17/2053 292/139
7,596,975	B1 *	10/2009	Yuan	E05B 9/08 70/134
D607,304	S *	1/2010	Stuckey	D8/331
D709,754	S *	7/2014	Lylyk	D8/331
D733,521	S *	7/2015	Sotes Delgado	D8/331

* cited by examiner

Primary Examiner — Prabhakar G Deshmukh

(74) *Attorney, Agent, or Firm* — Nelson Mullins Riley & Scarborough LLP; Anthony A. Laurentano

(57) **CLAIM**

The ornamental design for a deadbolt for door assembly, as shown and described.

DESCRIPTION

FIG. 1 is a top, front, and right perspective view of a deadbolt for door assembly showing our new design, and showing the interior side deadbolt of the door;

FIG. 2 is a top, rear, and left perspective view of a deadbolt for door assembly, and showing the exterior side deadbolt of the door;

FIG. 3 is a front elevational view of FIG. 1;

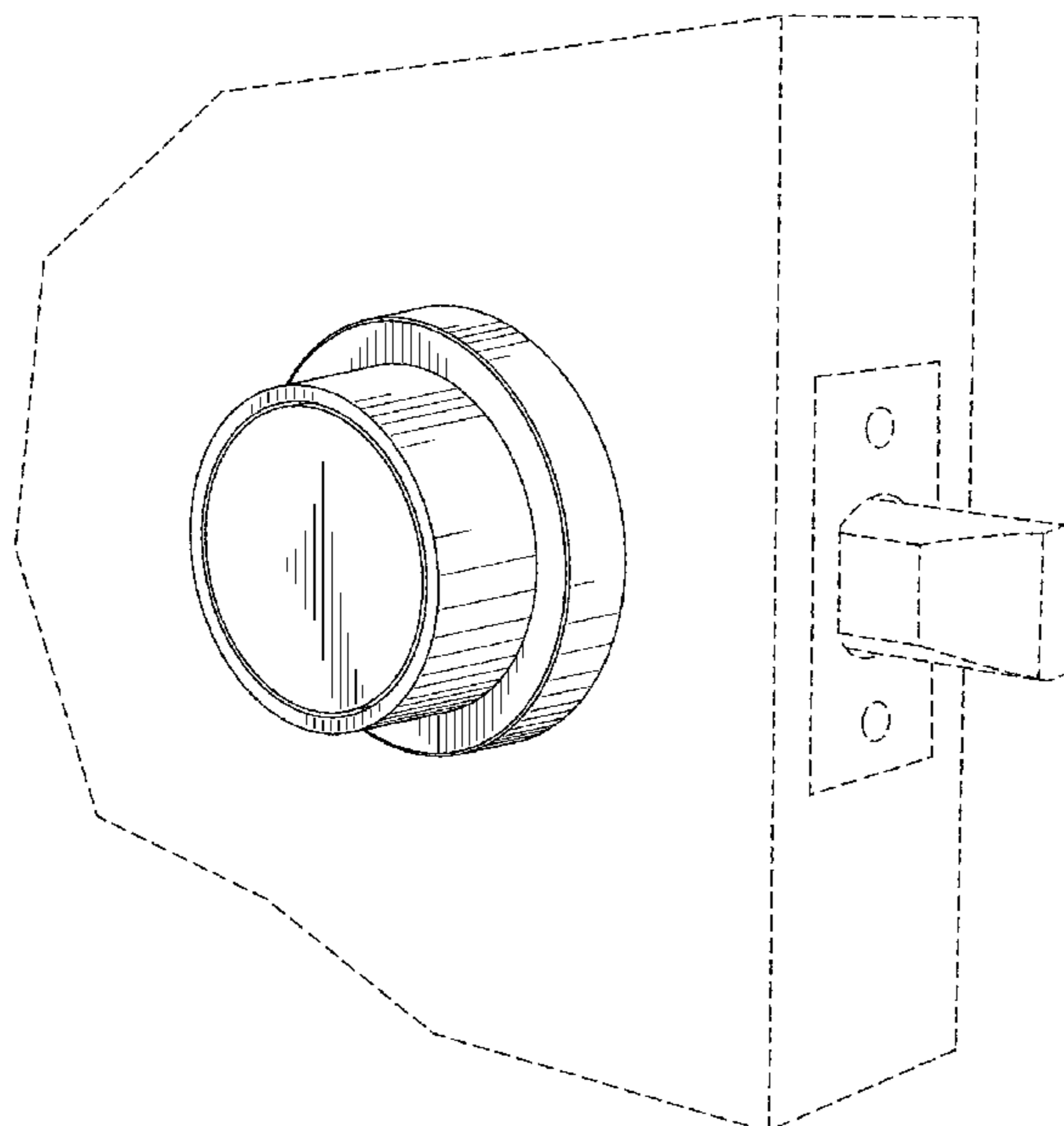
FIG. 4 is a left side elevational view of FIG. 1;

FIG. 5 is a rear elevational view of FIG. 2; and,

FIG. 6 is a right side elevational view of FIG. 2.

The broken lines illustrate environment of door and form no part of the claimed design.

1 Claim, 4 Drawing Sheets



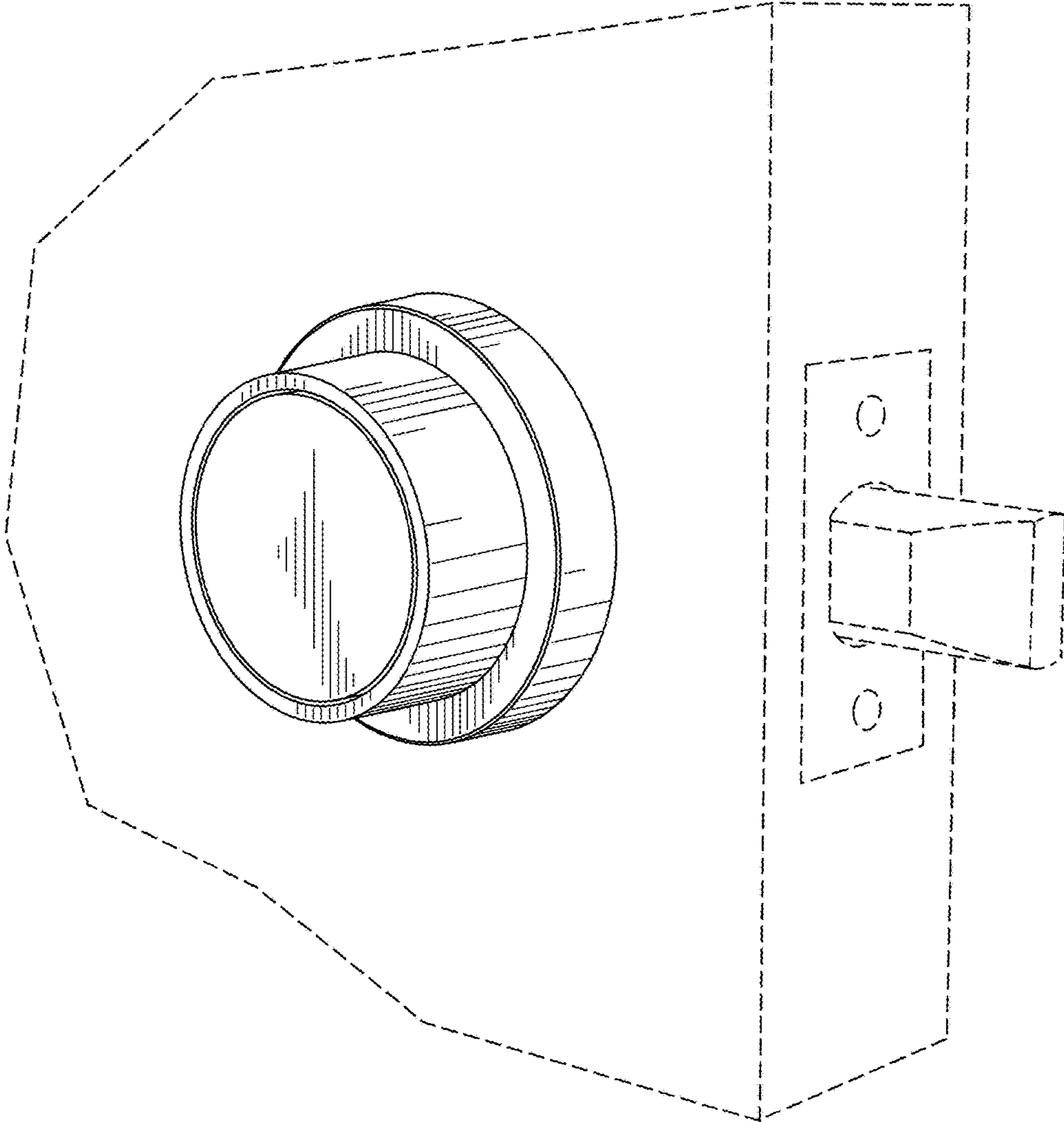


Fig. 1

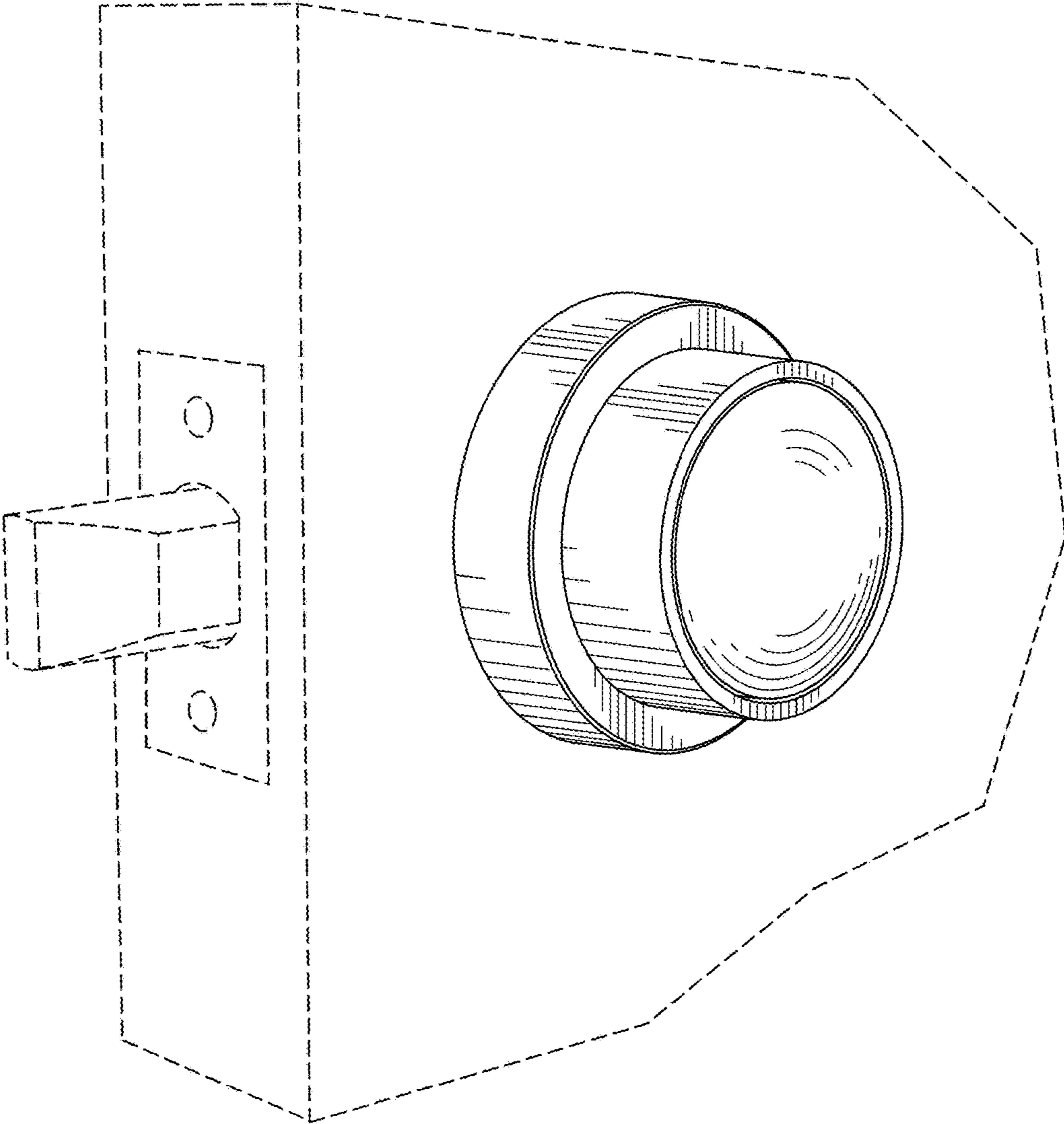


Fig. 2

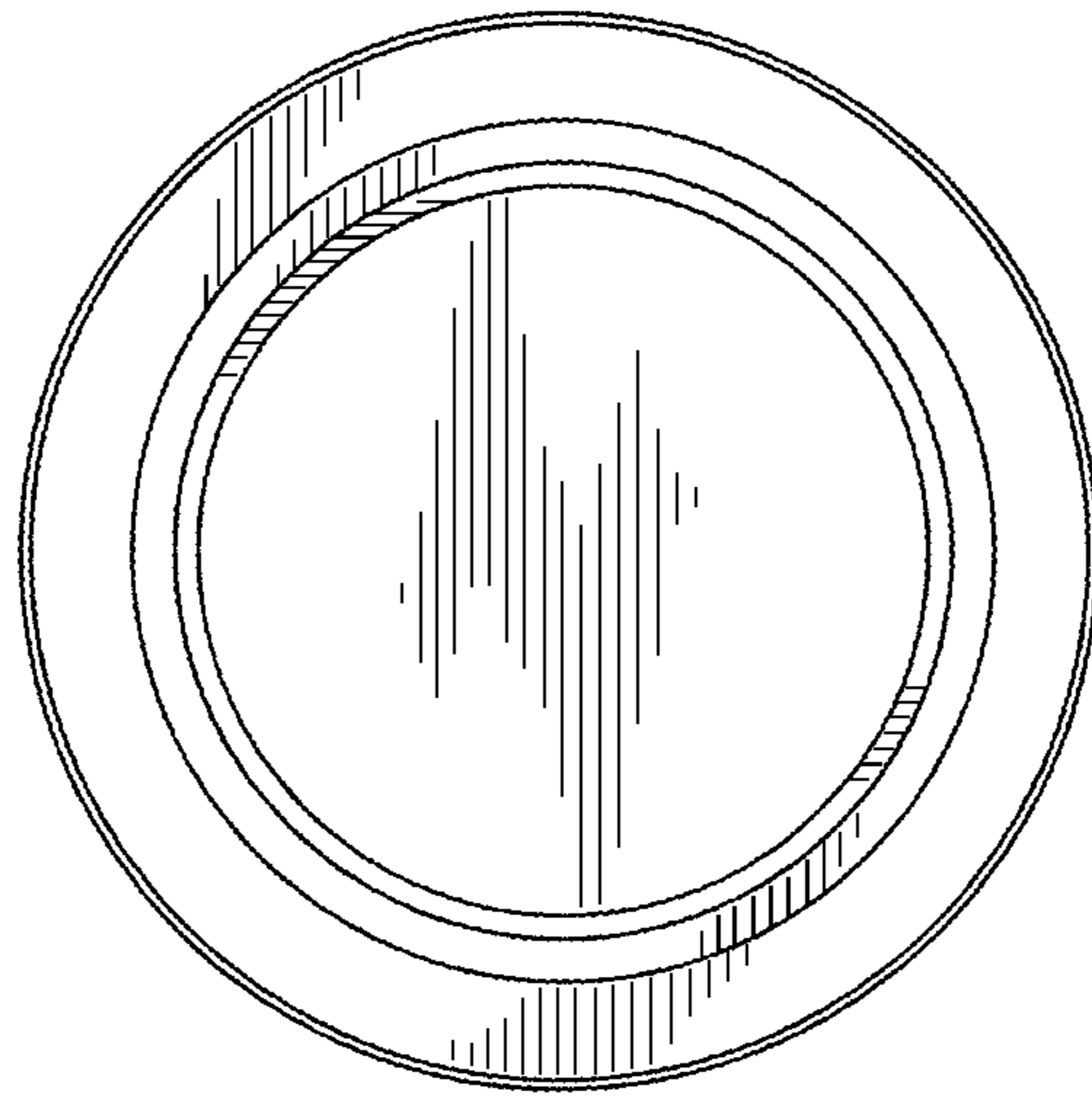


Fig. 3

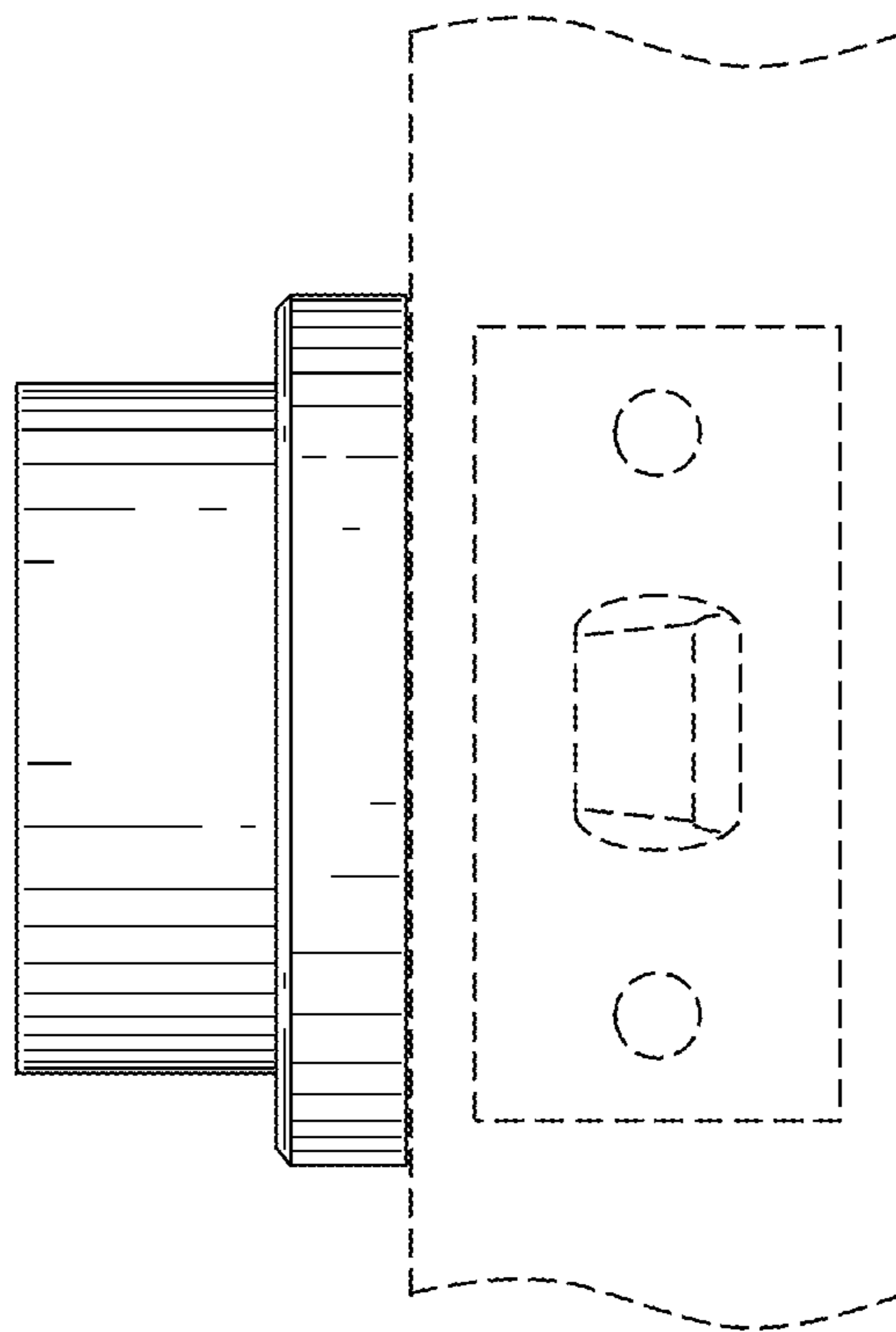


Fig. 4

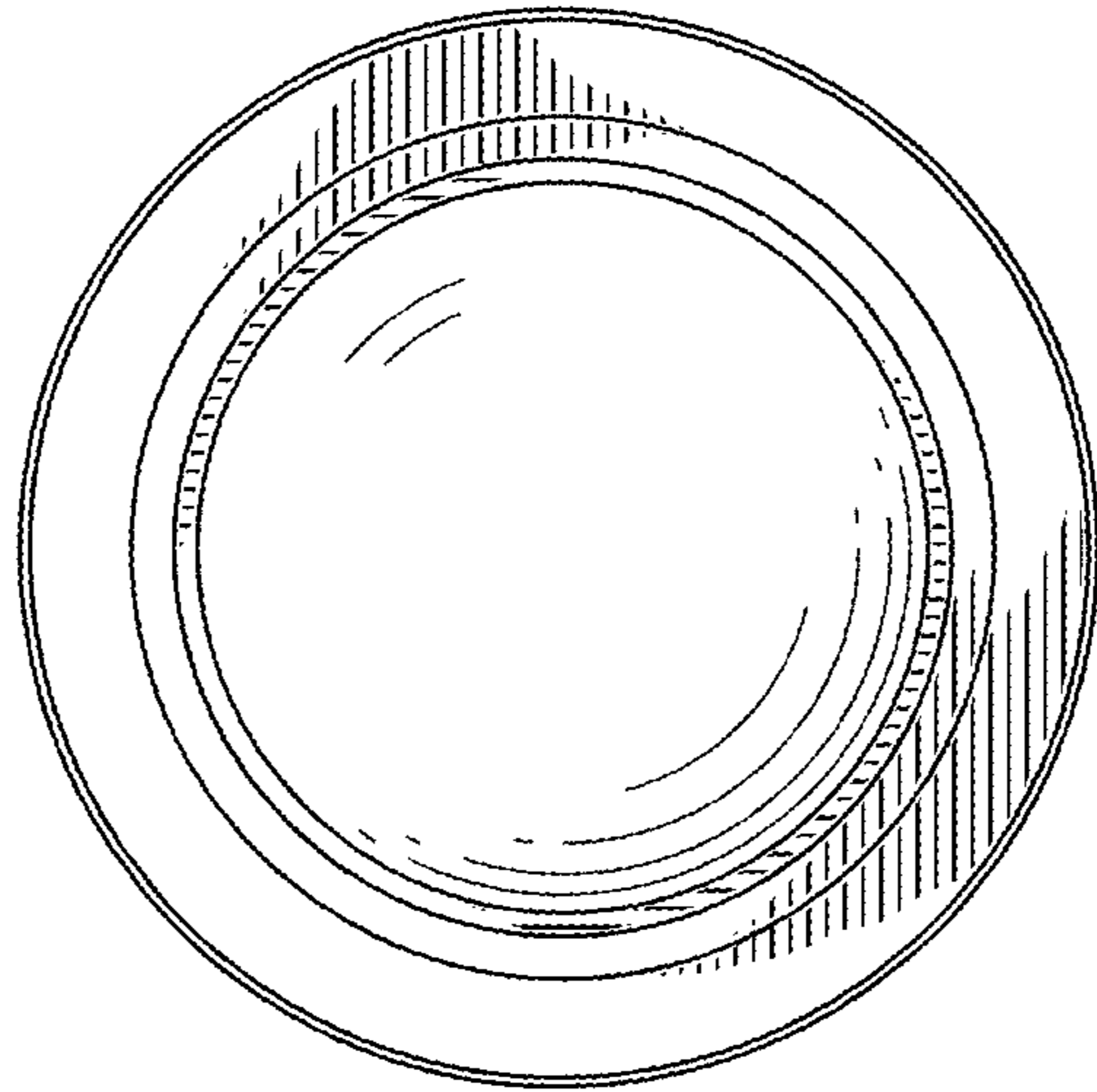


Fig. 5

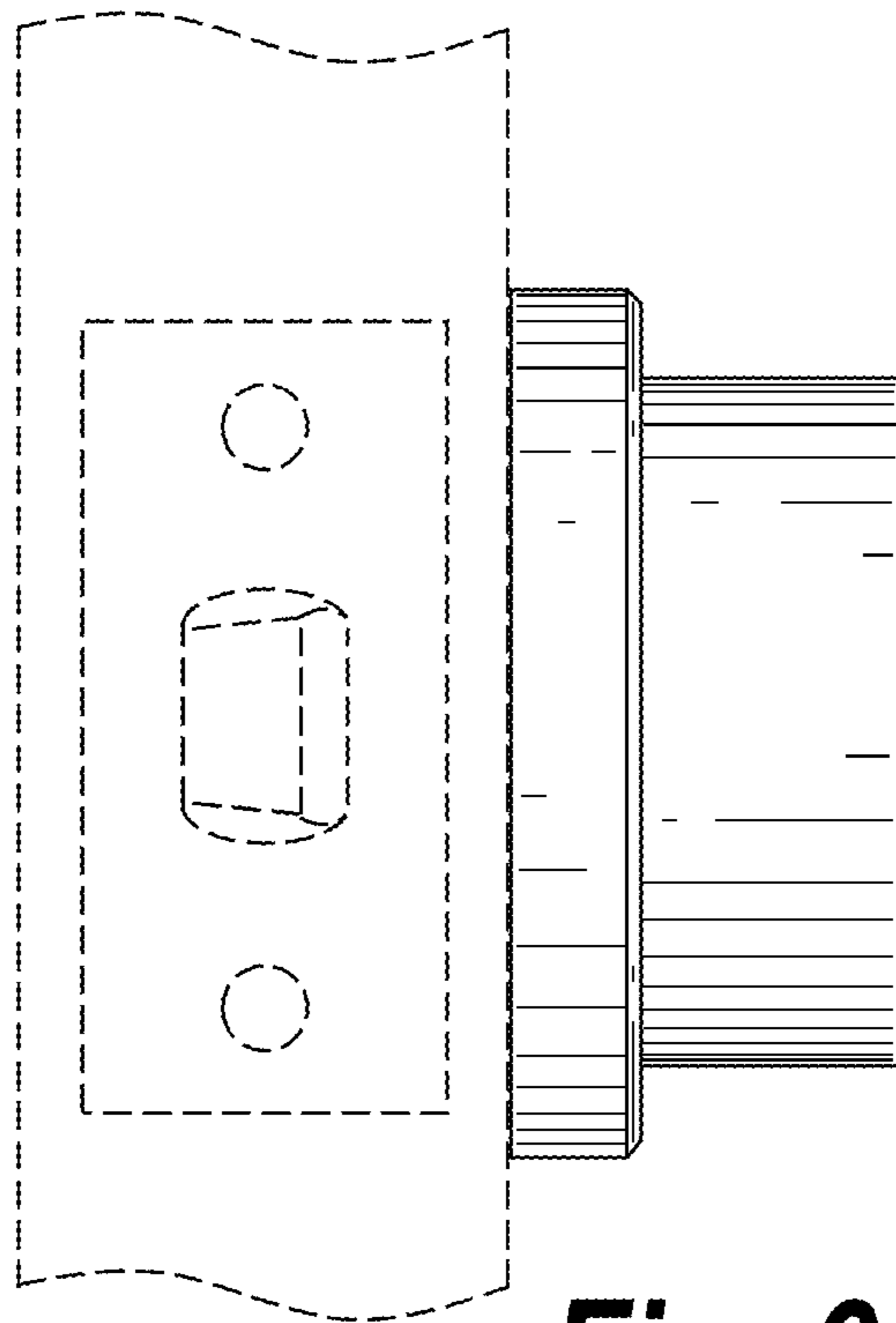


Fig. 6