



US00D796297S

(12) **United States Design Patent** (10) **Patent No.:** **US D796,297 S**
Shenton et al. (45) **Date of Patent:** **** Sep. 5, 2017**

(54) **LOCK**

(71) Applicant: **Grouphomesafe Limited**, Willenhall (GB)

(72) Inventors: **Nigel Shenton**, Wolverhampton (GB);
Robert W. Walker, Dudley (GB)

(73) Assignee: **Grouphomesafe Limited** (GB)

(**) Term: **15 Years**

(21) Appl. No.: **29/569,394**

(22) Filed: **Jun. 27, 2016**

Related U.S. Application Data

(62) Division of application No. 29/511,008, filed on Dec. 5, 2014, now Pat. No. Des. 762,440.

(30) **Foreign Application Priority Data**

Jun. 6, 2014 (EM) 002478552-0005
Jun. 6, 2014 (EM) 002478552-0006
Jun. 6, 2014 (EM) 002478552-0007
Jun. 6, 2014 (EM) 002478552-0008

(51) **LOC (10) Cl.** **08-07**

(52) **U.S. Cl.**
USPC **D8/330; D8/343**

(58) **Field of Classification Search**
USPC D8/330, 331, 332, 334, 339, 343; 70/14,
70/20-22, 57, 57.1, 58, 163, 174, 179,
70/180, 266, 431, 447, 448, 449, 198,
70/199, 202; 248/551, 553; 439/304
CPC E05B 73/00; E05B 77/00; F16K 35/00;
F16K 35/10

See application file for complete search history.

(56) **References Cited**

U.S. PATENT DOCUMENTS

2,997,377 A * 8/1961 Proell C06B 23/007
149/60
4,704,881 A * 11/1987 Sloop, Sr. B65D 55/14
70/158
5,074,134 A 12/1991 Wheadon
5,589,809 A 12/1996 Kogawa et al.
5,806,555 A 9/1998 Magno, Jr.
6,684,670 B1 2/2004 Agbay et al.
6,711,780 B2 * 3/2004 Lee E06C 1/32
16/326
6,746,414 B1 6/2004 Devreese
7,341,392 B2 3/2008 Yeh
D606,840 S 12/2009 Gould
D651,889 S 1/2012 Mahaffey et al.
D658,037 S 4/2012 Golling

(Continued)

OTHER PUBLICATIONS

U.S. Appl. No. 29/569,379, filed Jun. 27, 2016.

Primary Examiner — Prabhakar Deshmukh
(74) *Attorney, Agent, or Firm* — Goodwin Procter LLP

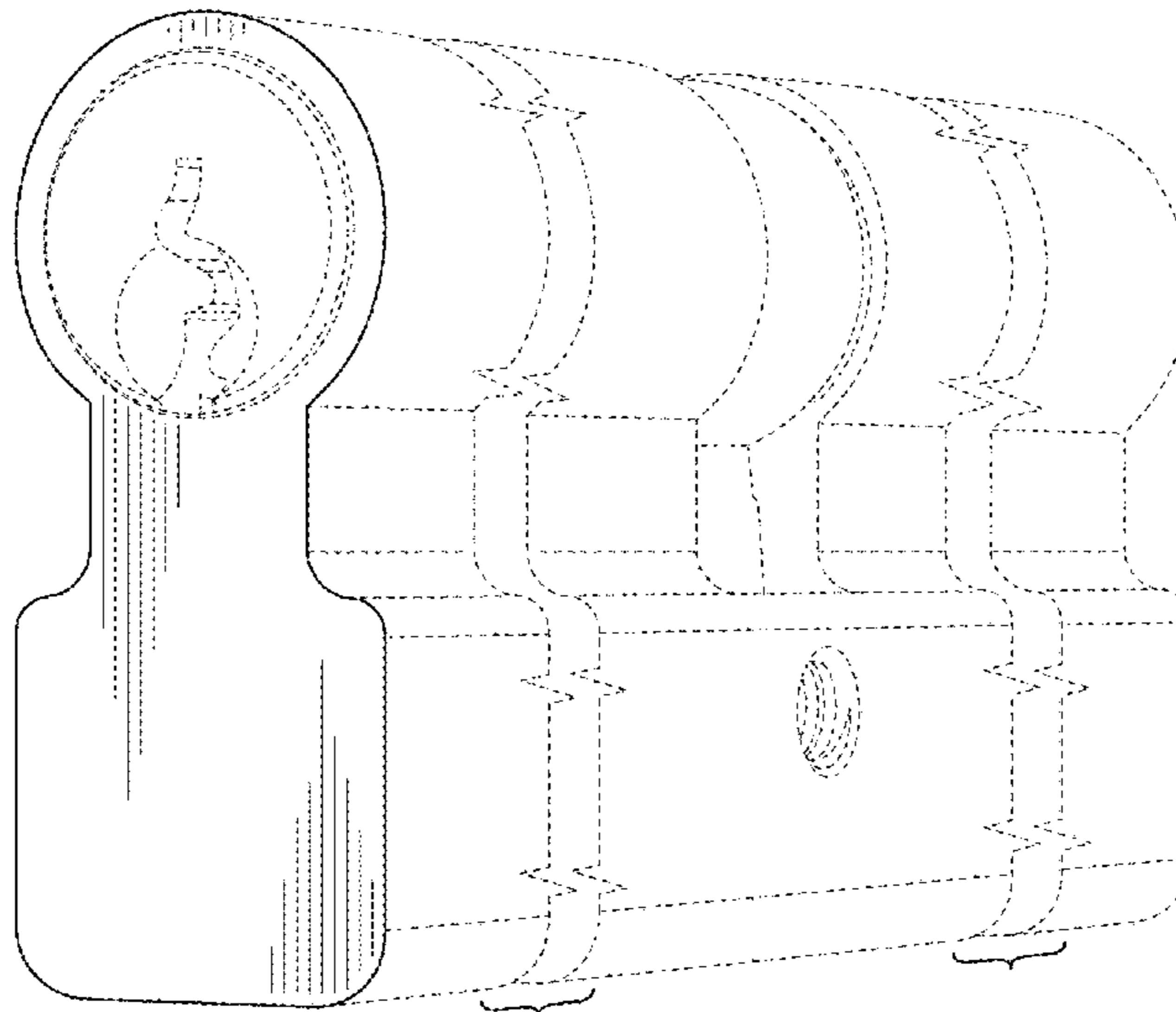
(57) **CLAIM**

The ornamental design for a lock, as shown and described.

DESCRIPTION

FIG. 1 is a front perspective view of a lock showing our new design;
FIG. 2 is a front view of the lock of FIG. 1;
FIG. 3 is a rear view of the lock of FIG. 1;
FIG. 4 is a right side view of the lock of FIG. 1;
FIG. 5 is a left side view of the lock of FIG. 1;
FIG. 6 is a top plan view of the lock of FIG. 1; and,
FIG. 7 is a bottom plan view of the lock of FIG. 1.
The broken lines indicated unclaimed portions and form no part of the claimed design. The break lines indicate undetermined length of the lock and the portions between the break lines form no part of the claimed design.

1 Claim, 5 Drawing Sheets



(56)

References Cited

U.S. PATENT DOCUMENTS

D660,682	S	5/2012	Mahaffey et al.	
D660,684	S	5/2012	Golling	
8,186,186	B1	5/2012	Mahaney et al.	
D678,036	S	3/2013	Chen	
8,419,485	B2	4/2013	Stausser et al.	
D719,816	S	12/2014	Lin	
8,899,193	B2 *	12/2014	Lippitt et al.	F02B 75/1896 123/198 F
9,016,096	B2	4/2015	Winnie	
9,026,339	B1 *	5/2015	Sturman	F02B 23/10 123/525
9,064,646	B2	6/2015	Wavering	
D745,366	S	12/2015	Ocklenburg	
9,217,265	B2	12/2015	Muller et al.	
D762,440	S	8/2016	Shenton et al.	
D762,441	S	8/2016	Shenton et al.	
2006/0236730	A1 *	10/2006	Wyers	B60D 1/065 70/14

* cited by examiner

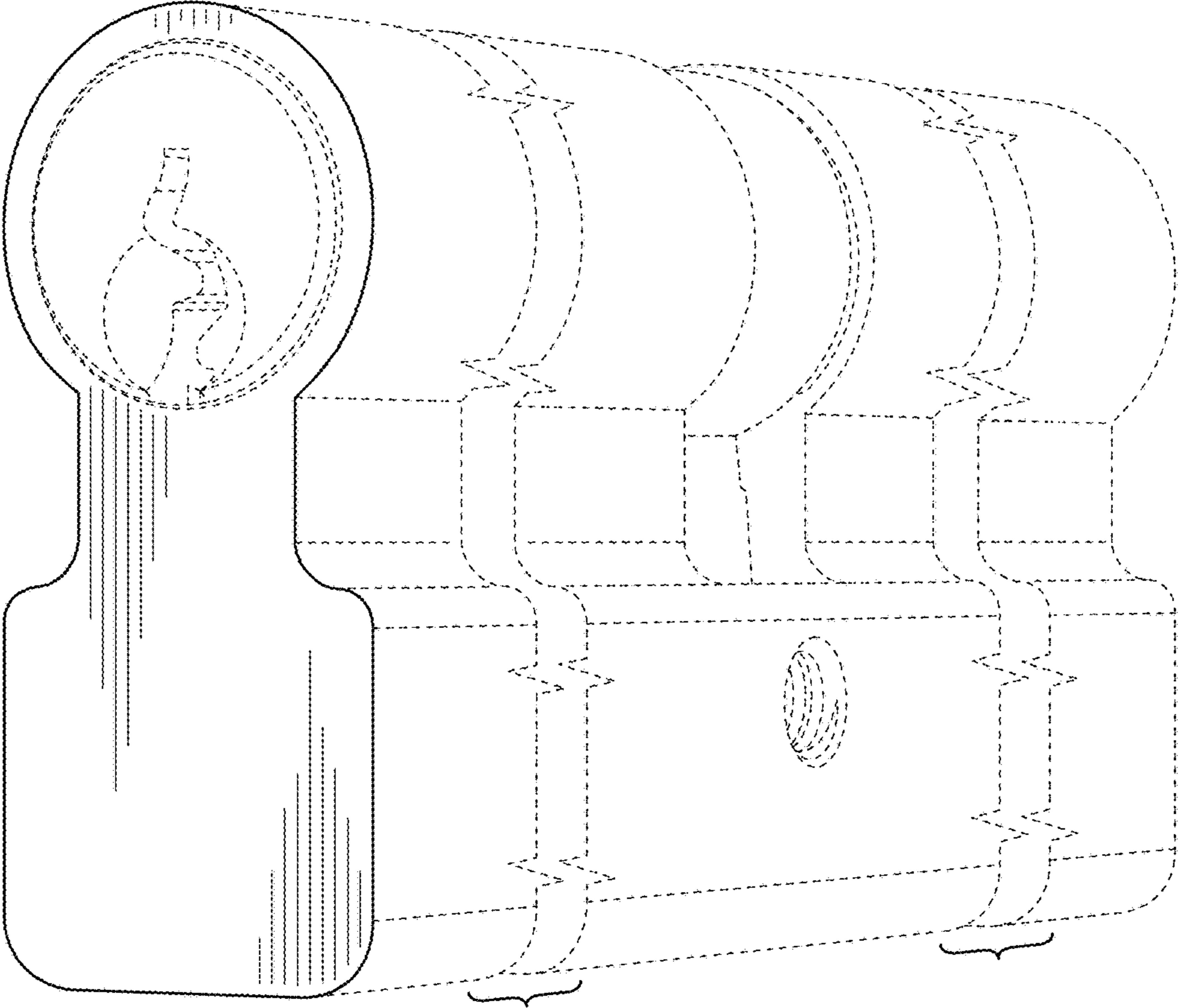


FIG. 1

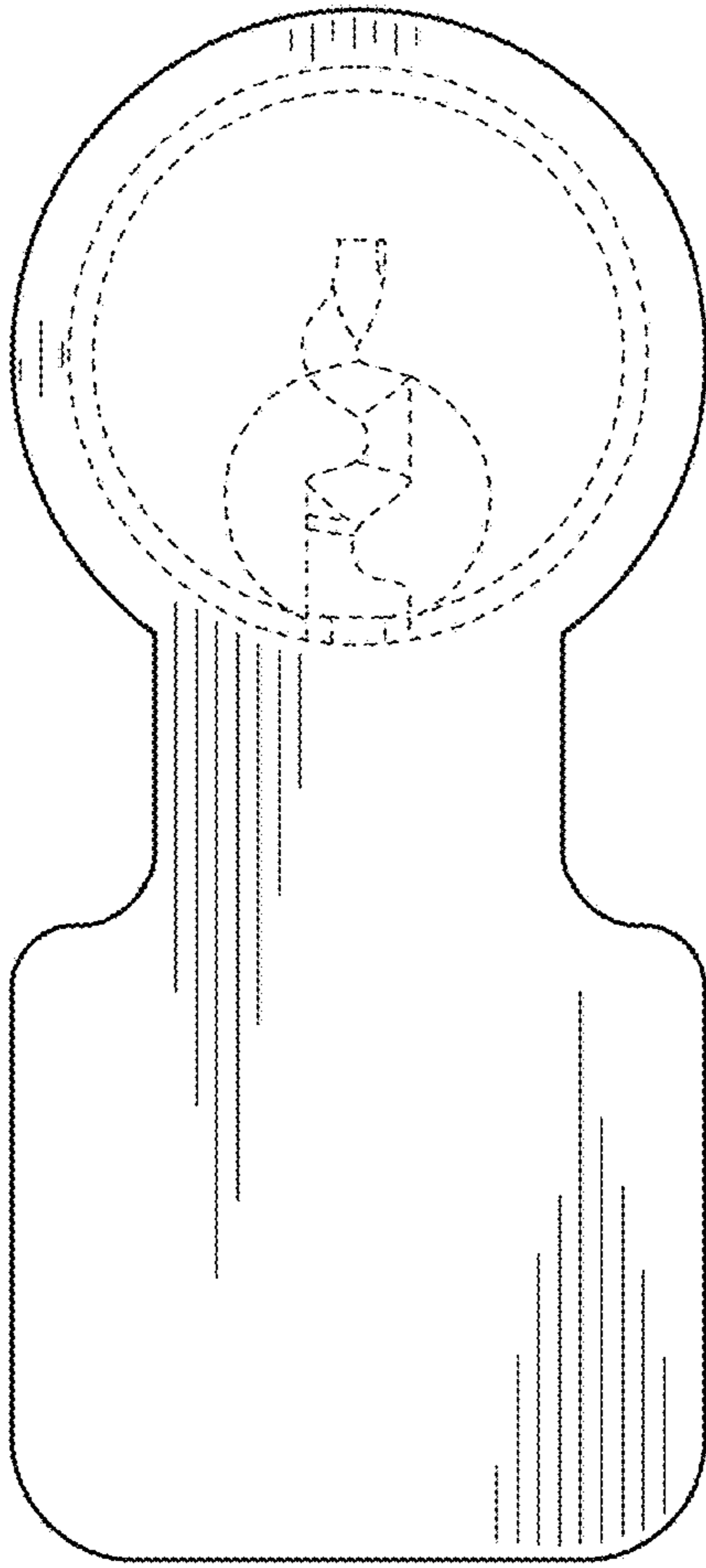


FIG. 2

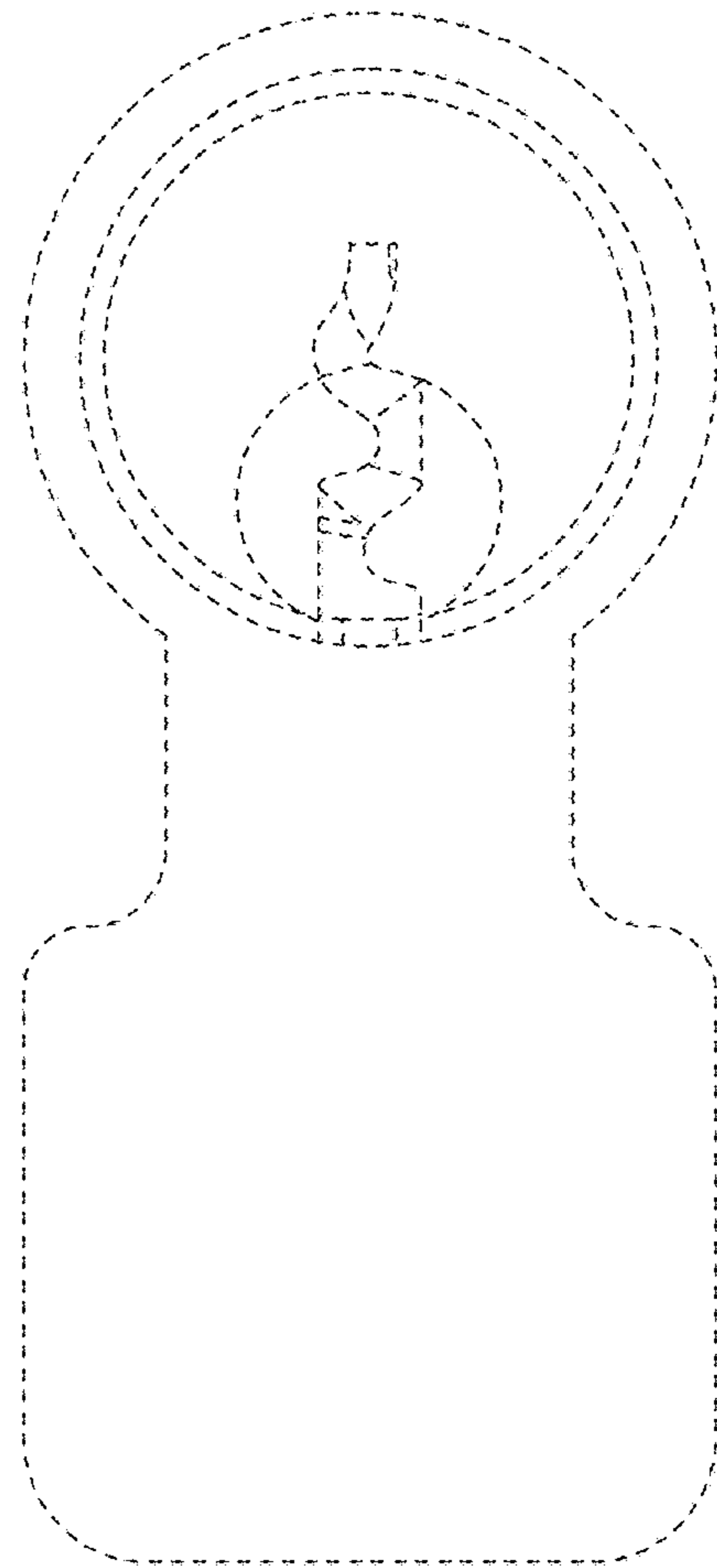


FIG. 3

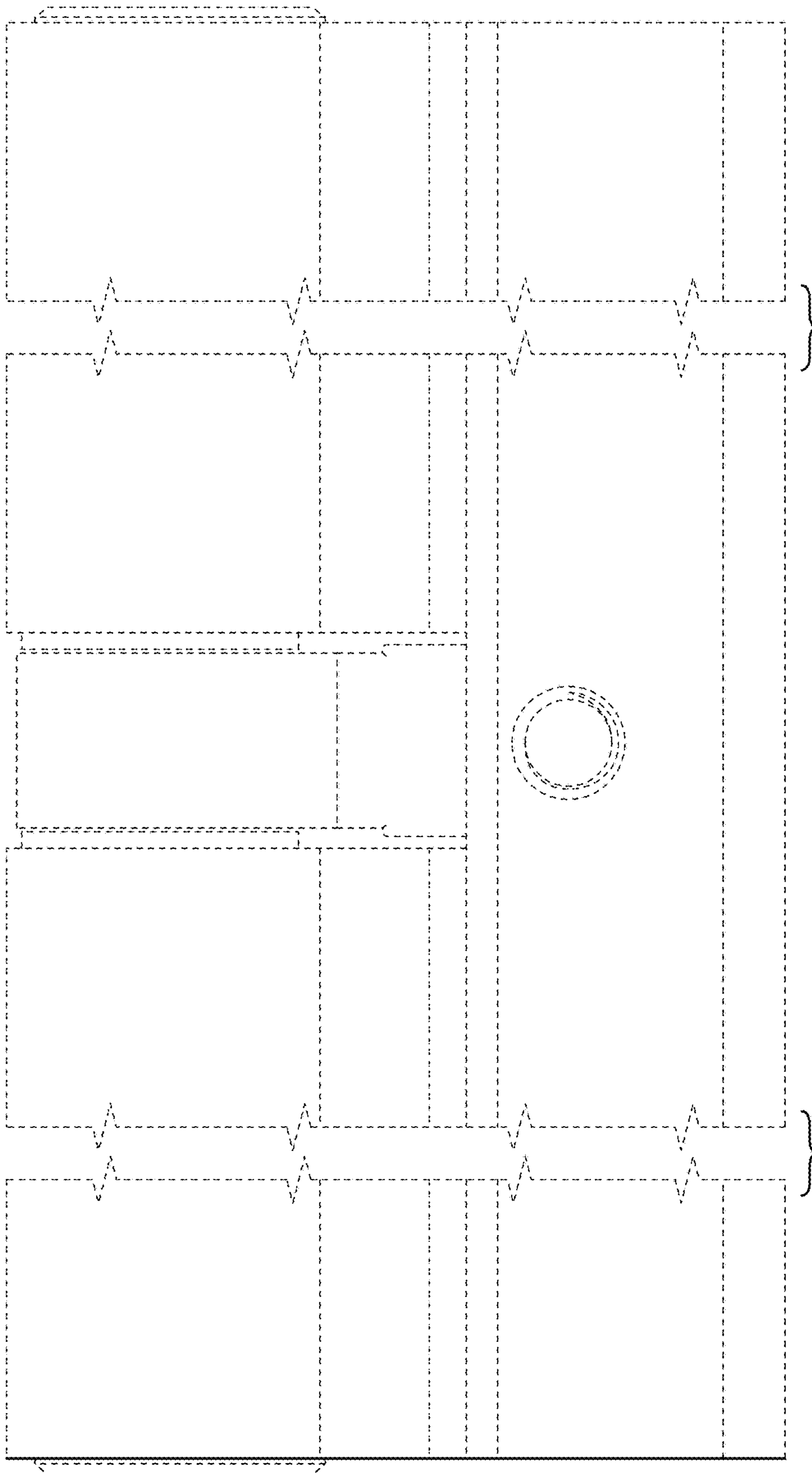


FIG. 4

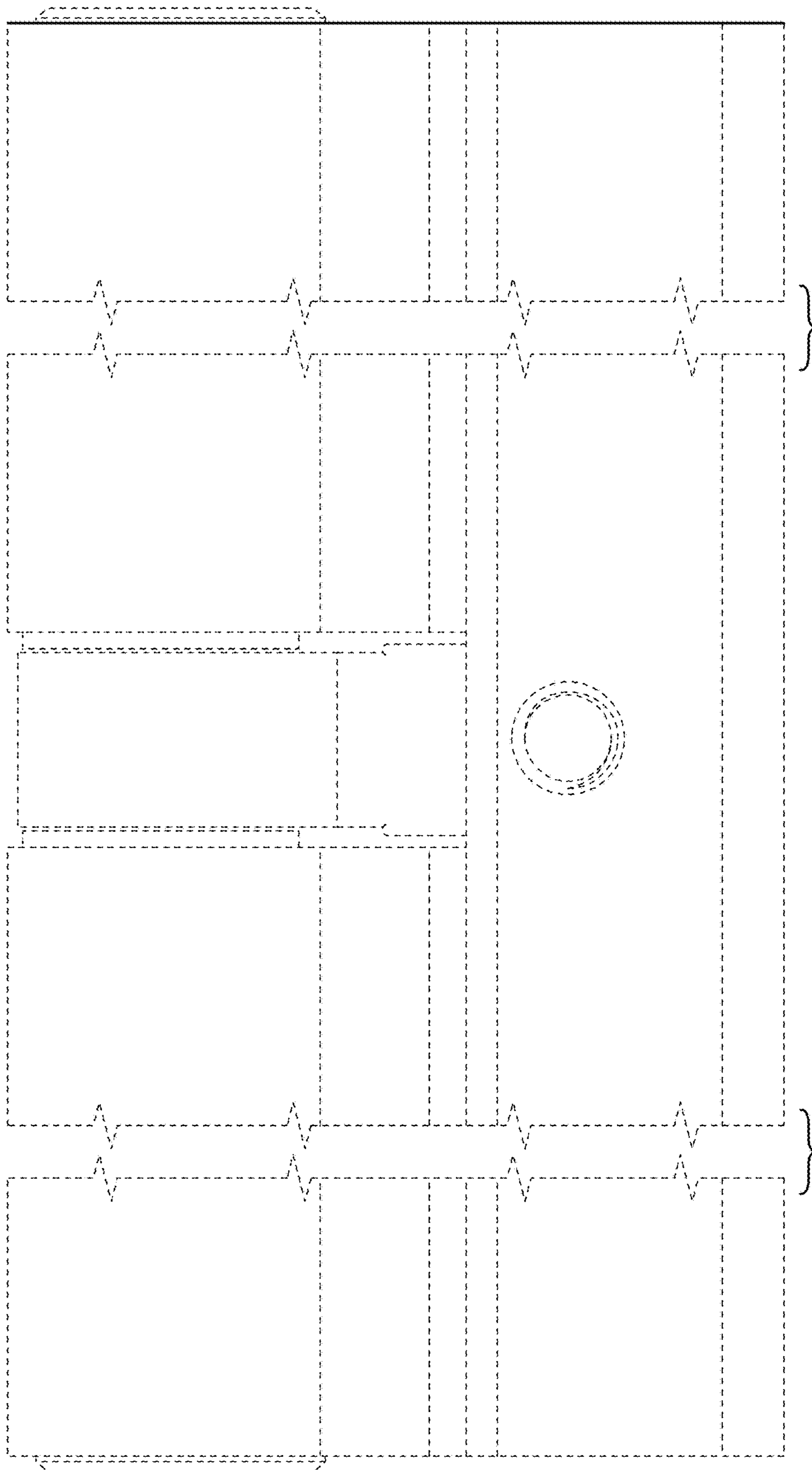


FIG. 5

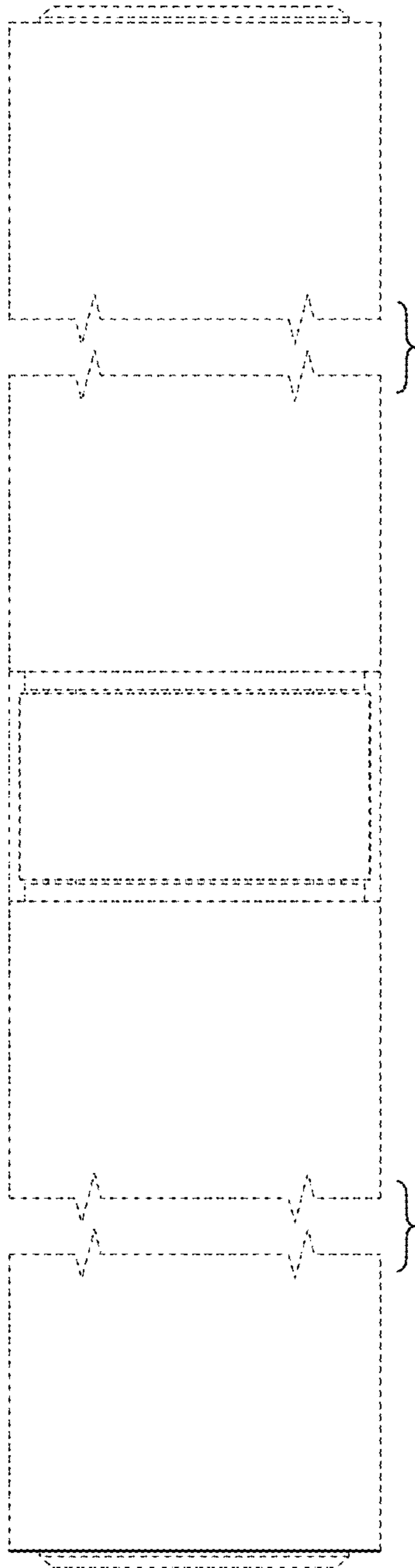


FIG. 6

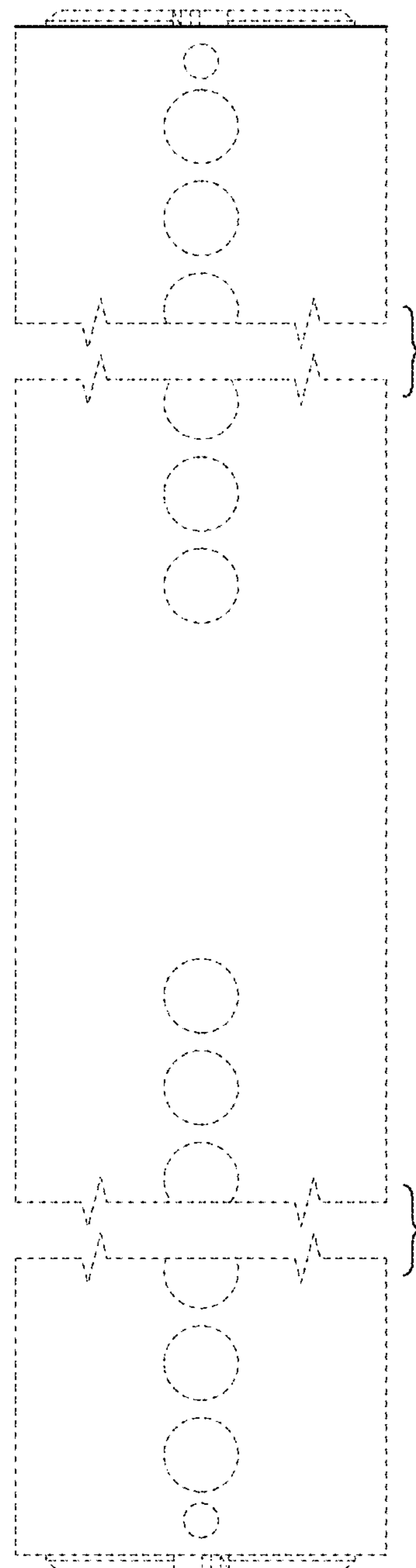


FIG. 7