

US00D796295S

(12) **United States Design Patent** (10) **Patent No.:** **US D796,295 S**  
**Simon** (45) **Date of Patent:** **\*\* Sep. 5, 2017**

(54) **DOOR PULL**  
(71) Applicant: **Martin S. Simon**, Long Beach, CA (US)

D377,596 S 1/1997 Simon et al.  
D384,569 S 10/1997 Simon et al.  
D448,272 S 9/2001 Miller  
D451,363 S 12/2001 Miller  
(Continued)

(72) Inventor: **Martin S. Simon**, Long Beach, CA (US)

(73) Assignee: **TRIANGLE BRASS MANUFACTURING COMPANY, INC.**, Oceanside, CA (US)

(\*\*) Term: **14 Years**

(21) Appl. No.: **29/474,840**

(22) Filed: **Feb. 25, 2015**

(51) **LOC (10) Cl.** ..... **08-06**

(52) **U.S. Cl.**  
USPC ..... **D8/315**

(58) **Field of Classification Search**  
USPC ..... D8/300, 302, 305, 307, 310, 315-320, D8/DIG. 1; D6/522-524, 546, 549; 16/110.1, 412, 413, 415, 419, 422, 424, 16/425; D23/250-254  
CPC ... E05B 1/00; E05B 5/00; E05B 15/00; E05B 15/02; E05B 21/00; E05B 63/0056  
See application file for complete search history.

(56) **References Cited**

**U.S. PATENT DOCUMENTS**

21,499 A	4/1892	McCarthy	
D103,024 S	2/1937	Loewy	
D208,292 S	8/1967	Stone	
D268,321 S	3/1983	Tegner	
D274,123 S	6/1984	Tegner	
D299,110 S	12/1988	Jans	
D312,763 S	12/1990	Tremonti	
D320,337 S	10/1991	Tye et al.	
D337,507 S *	7/1993	Jans	D8/316
5,584,158 A	12/1996	Johnson	

**OTHER PUBLICATIONS**

Trimco, Mastercraft Bronze catalog, cover and pp. 1-3 (Nov. 2009).  
(Continued)

*Primary Examiner* — Lakiya Rogers  
*Assistant Examiner* — Harold E Blackwell, II  
(74) *Attorney, Agent, or Firm* — David Weiss

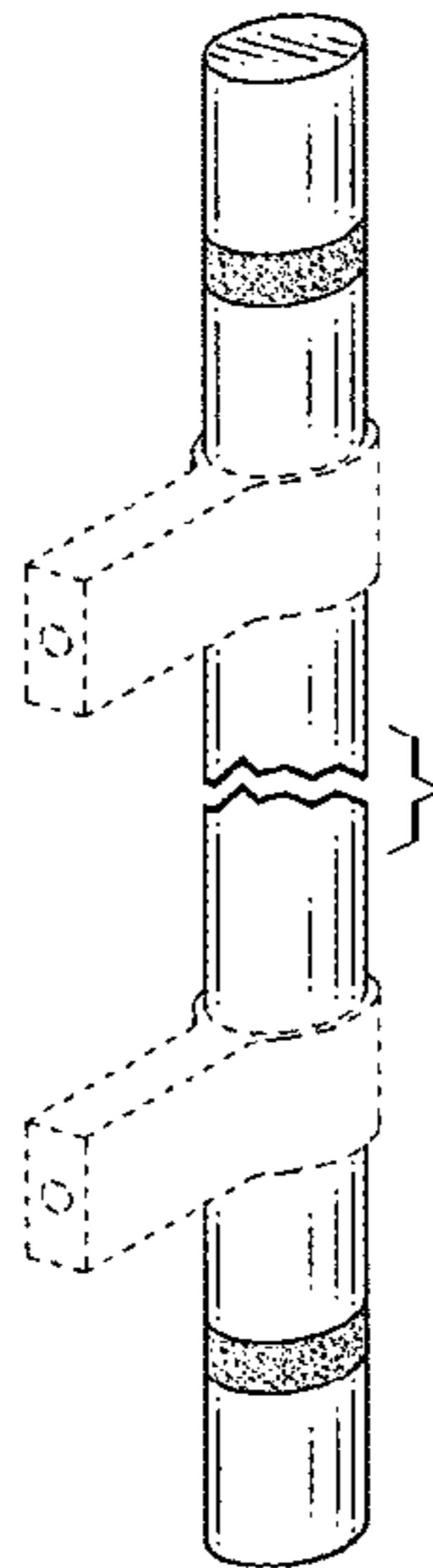
(57) **CLAIM**

The ornamental design for a door pull, as shown and described.

**DESCRIPTION**

FIG. 1 is a perspective view of a first embodiment of a door pull showing my new design; FIG. 2 is a front elevation view thereof; FIG. 3 is a rear elevation view thereof; FIG. 4 is a left side elevation view thereof, the right side elevation view being a mirror image; FIG. 5 is a top plan view thereof, the bottom plan view being a mirror image; FIG. 6 is a perspective of a second embodiment of a door pull showing my new design; FIG. 7 is a front elevation view thereof; FIG. 8 is a rear elevation view thereof; FIG. 9 is a left side elevation view thereof, the right side elevation view being a mirror image; and, FIG. 10 is a top plan view thereof; the bottom plan view being a mirror image.  
The broken lines in the drawings illustrate portions of the door pull which form no part of the claimed design. The door pull is drawn broken away in FIGS. 1-4 and 6-9 to show indeterminate length.

**1 Claim, 4 Drawing Sheets**



(56)

**References Cited**

## U.S. PATENT DOCUMENTS

D488,993	S	*	4/2004	Denys	.....	D8/319
D492,530	S	*	7/2004	Chen	.....	D6/549
D504,309	S	*	4/2005	Fuchs	.....	D6/523
7,191,493	B2	*	3/2007	Vanderpool	.....	B60N 3/026 16/412
D540,595	S	*	4/2007	Solowiej	.....	D6/549
D563,707	S		3/2008	Lee		
D564,854	S	*	3/2008	Thompson	.....	D8/300
D565,337	S		4/2008	Hoernig		
D572,111	S	*	7/2008	Busalt	.....	D8/316
D574,695	S	*	8/2008	Krumpe	.....	D8/316
D600,961	S		9/2009	Krumpe		
D697,334	S		1/2014	Starck		
D715,577	S		10/2014	Fritz		
D737,653	S	*	9/2015	Fuller	.....	D8/316
D745,362	S	*	12/2015	Grasselli	.....	D8/315
D758,827	S	*	6/2016	Grasselli	.....	D8/315
D760,425	S	*	6/2016	Seehof	.....	D25/41.1

## OTHER PUBLICATIONS

Triangle Brass Manufacturing Company, Inc., Trimco brochure "Toilet Paper Holder", 2 pages (copyright 2013).

Triangle Brass Manufacturing Company, Inc., on-line Trimco product catalog (copyright 2015) at [www.TrimcoHardware.com](http://www.TrimcoHardware.com), print-out of 2 pages of product part Nos. 1160 Series and 1170 Series "Full Length Door Pull" marketed by Triangle Brass Manufacturing Company, Inc. since prior to Feb. 2014.

Triangle Brass Manufacturing Company, Inc., on-line Trimco product catalog (copyright 2015) at [www.TrimcoHardware.com](http://www.TrimcoHardware.com), print-out of 1 page of product part No. 571 Series "Drawer Pull" marketed by Triangle Brass Manufacturing Company, Inc. since 2013.

\* cited by examiner

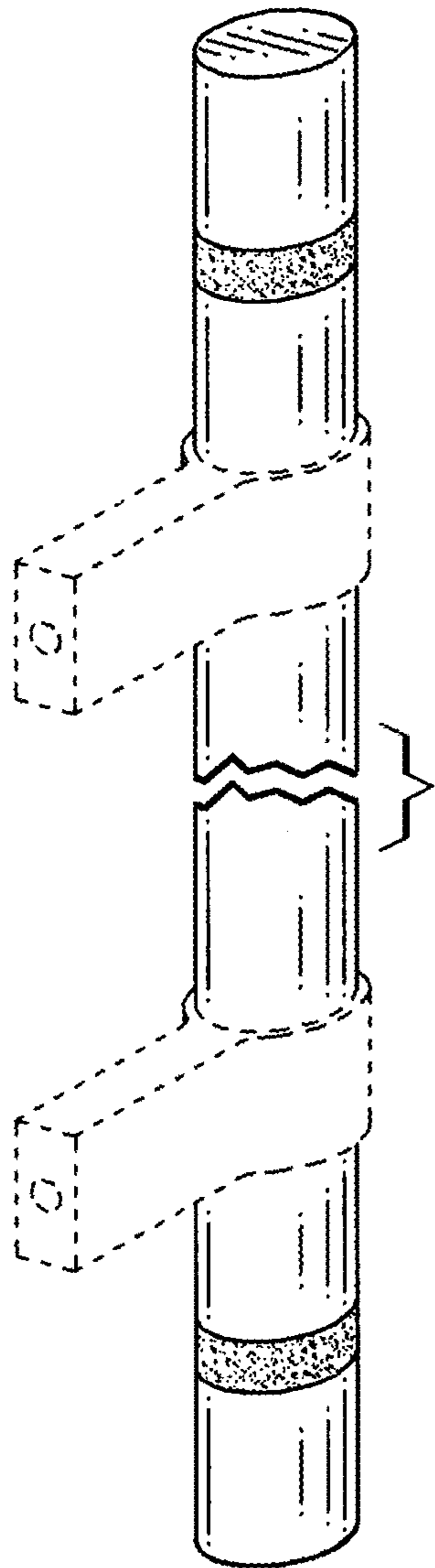


FIG. 1

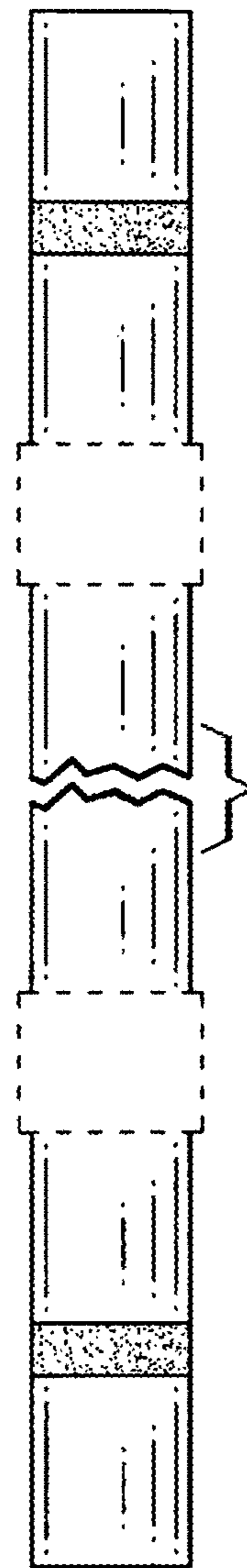


FIG. 2

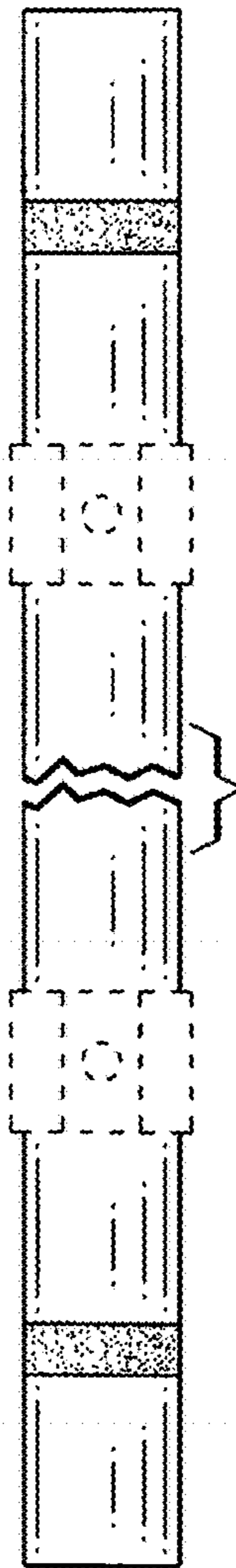


FIG. 3

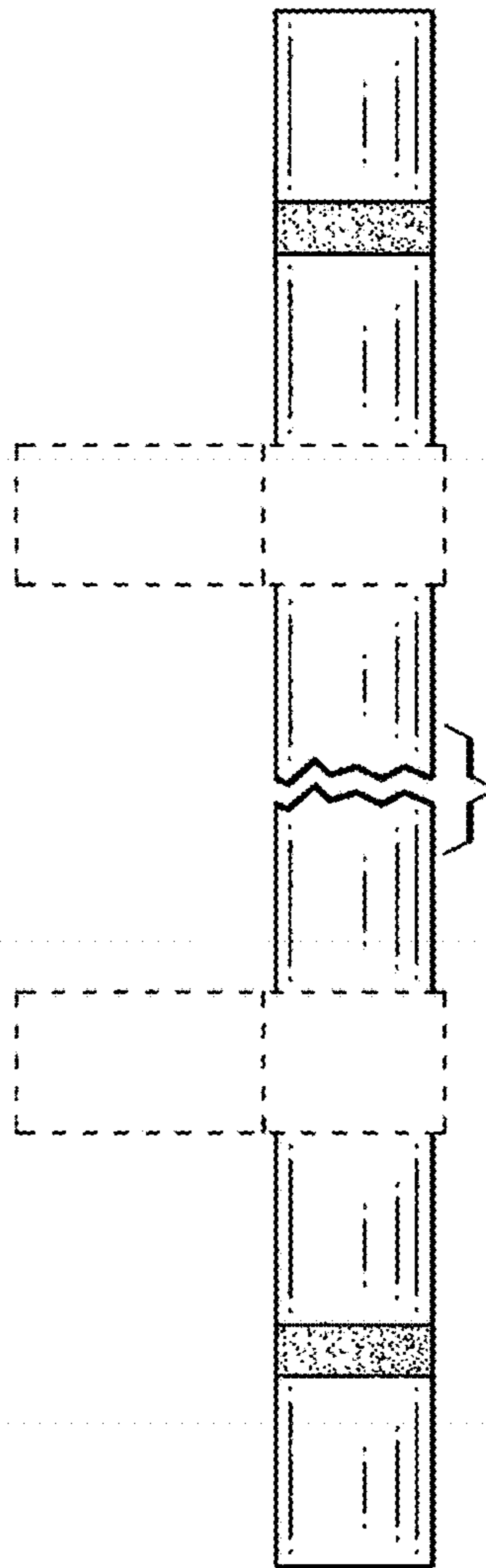


FIG. 4



FIG. 5

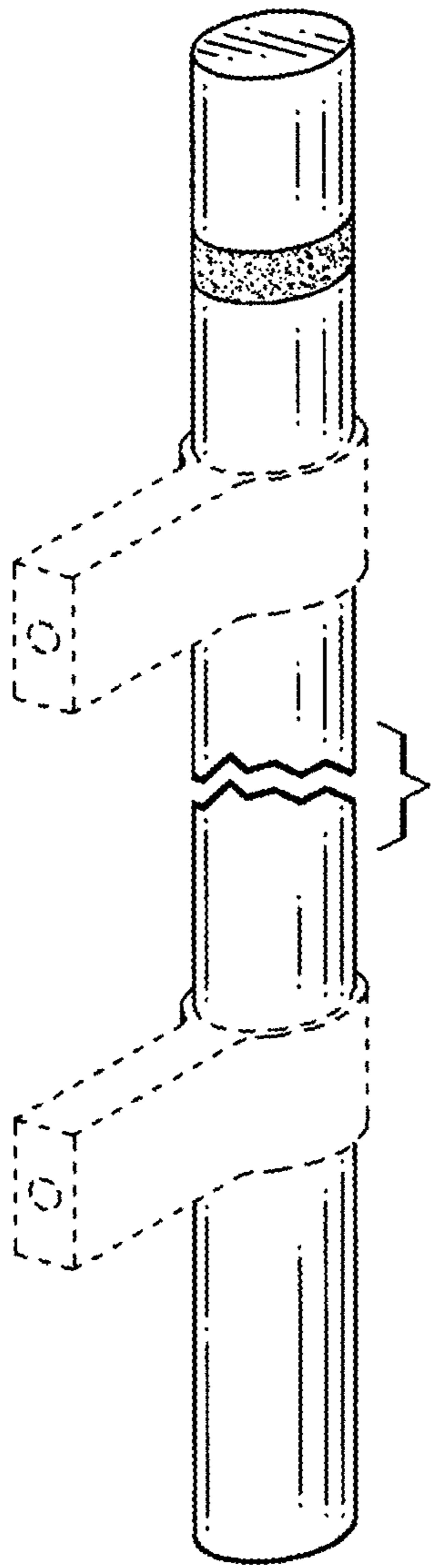


FIG. 6

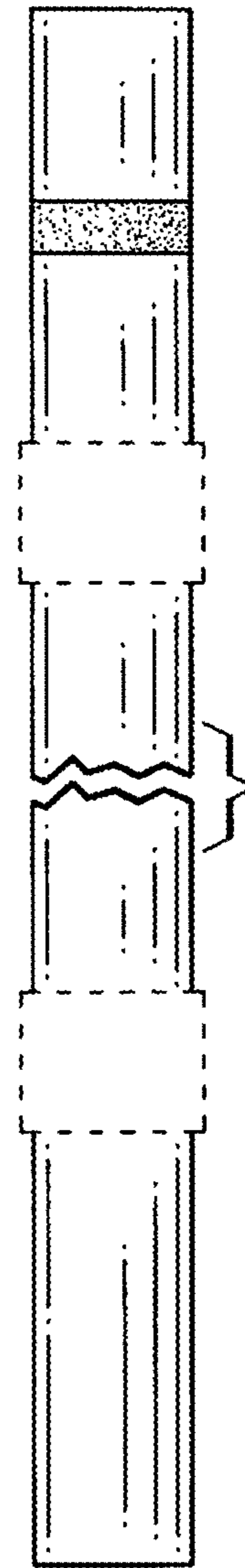


FIG. 7

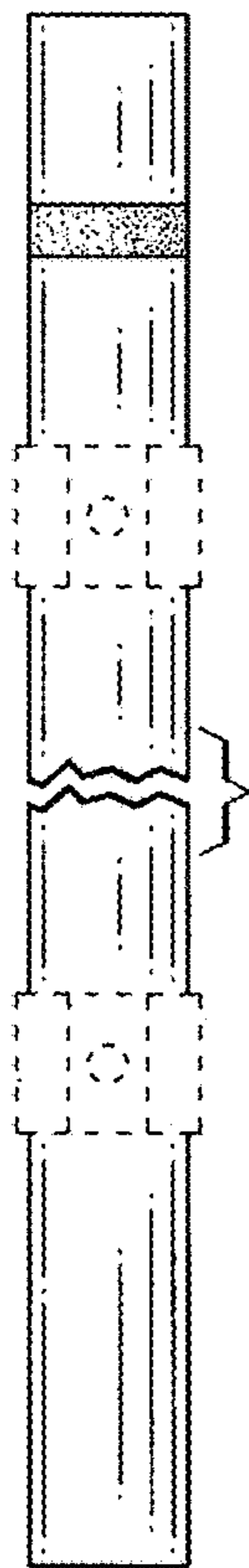


FIG. 8

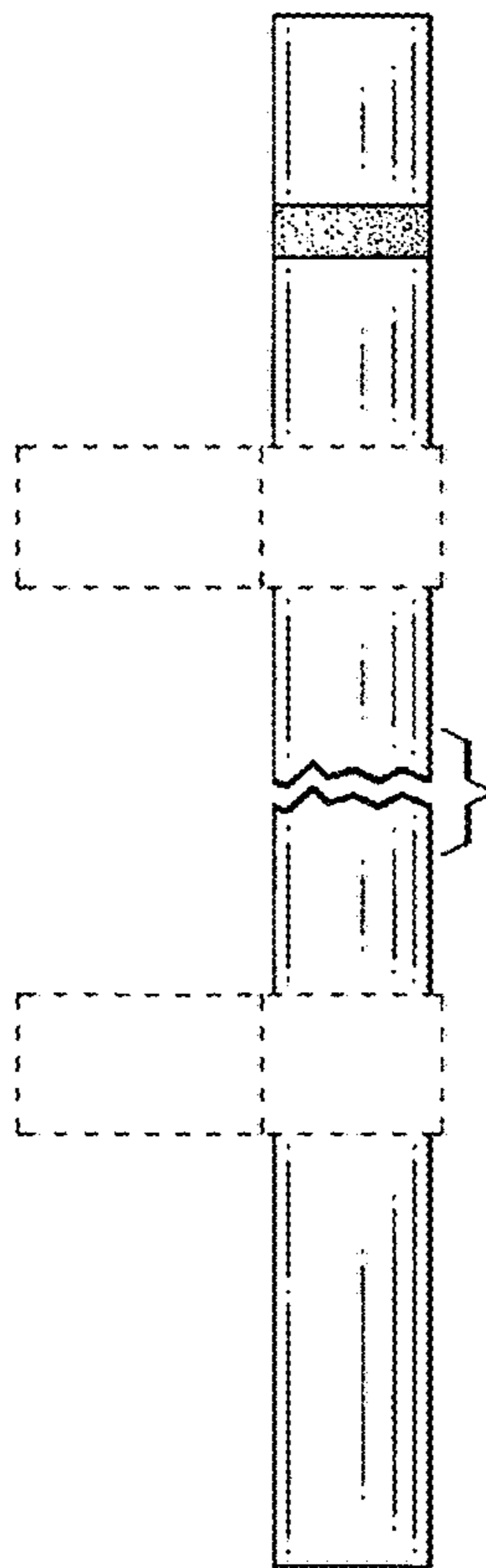


FIG. 9



FIG. 10