



US00D796294S

(12) **United States Design Patent** (10) **Patent No.:** **US D796,294 S**
Simon (45) **Date of Patent:** **** Sep. 5, 2017**

(54) **DOOR PULL**

(71) Applicant: **Martin S. Simon**, Long Beach, CA (US)

(72) Inventor: **Martin S. Simon**, Long Beach, CA (US)

(73) Assignee: **TRIANGLE BRASS MANUFACTURING COMPANY, INC.**, Oceanside, CA (US)

(**) Term: **14 Years**

(21) Appl. No.: **29/474,768**

(22) Filed: **Feb. 3, 2015**

(51) **LOC (10) Cl.** **08-06**

(52) **U.S. Cl.**
USPC **D8/315**

(58) **Field of Classification Search**
USPC D8/300, 302, 305, 307, 310, 315-320, D8/DIG. 1; D6/522-524, 546, 549; 16/110.1, 412, 413, 415, 419, 422, 424, 16/425; D23/250-254
CPC ... E05B 1/00; E05B 5/00; E05B 15/00; E05B 15/02; E05B 21/00; E05B 63/0056
See application file for complete search history.

(56) **References Cited**

U.S. PATENT DOCUMENTS

21,499 A	4/1892	McCarthy	
D103,024 S	2/1937	Loewy	
D208,292 S	8/1967	Stone	
D268,321 S	3/1983	Tegner	
D274,123 S	6/1984	Tegner	
D299,110 S	12/1988	Jans	
D312,763 S	12/1990	Tremonti	
D320,337 S	10/1991	Tye et al.	
D337,507 S *	7/1993	Jans	D8/316
5,584,158 A	12/1996	Johnson	
D377,596 S	1/1997	Simon et al.	

D384,569 S	10/1997	Simon et al.	
D448,272 S	9/2001	Miller	
D451,363 S	12/2001	Miller	
D488,993 S *	4/2004	Denys	D8/319
D492,530 S *	7/2004	Chen	D6/549

(Continued)

OTHER PUBLICATIONS

Trimco, Mastercraft Bronze catalog, cover and pp. 1-3 (Nov. 2009).
(Continued)

Primary Examiner — Lakiya Rogers
Assistant Examiner — Harold E Blackwell, II
(74) *Attorney, Agent, or Firm* — David Weiss

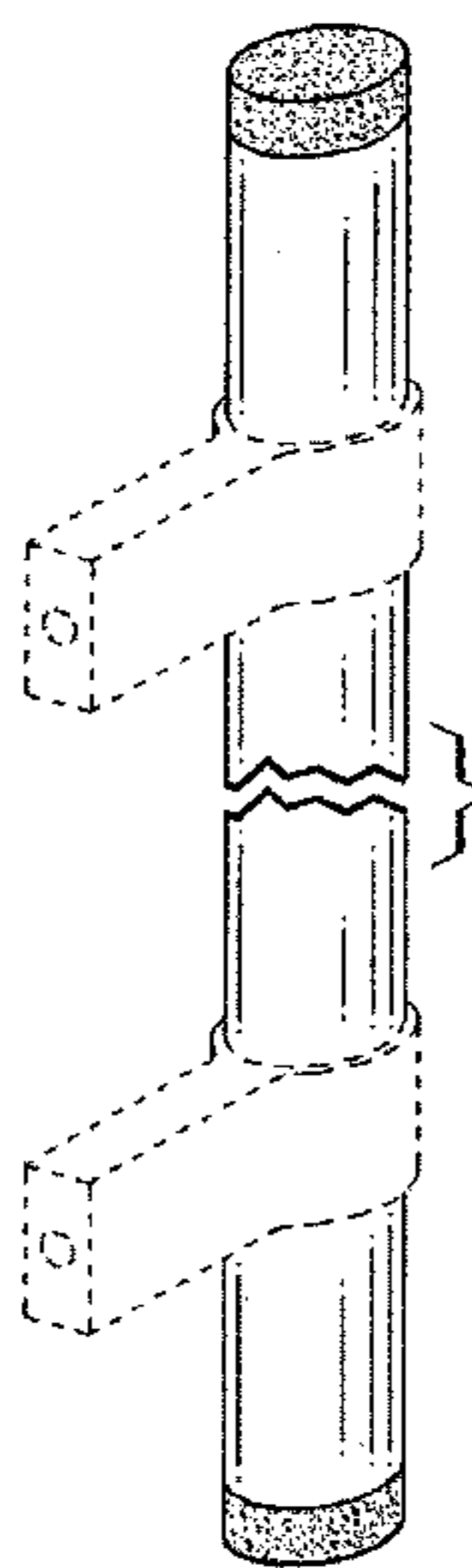
(57) **CLAIM**

The ornamental design for a door pull, as shown and described.

DESCRIPTION

FIG. 1 is a perspective view of a first embodiment of a door pull showing my new design;
FIG. 2 is a front elevation view thereof;
FIG. 3 is a rear elevation view thereof;
FIG. 4 is a left side elevation view thereof, the right side elevation view being a mirror image;
FIG. 5 is a top plan view thereof, the bottom plan view being a mirror image;
FIG. 6 is a perspective of a second embodiment of a door pull showing my new design;
FIG. 7 is a front elevation view thereof;
FIG. 8 is a rear elevation view thereof;
FIG. 9 is a left side elevation view thereof, the right side elevation view being a mirror image;
FIG. 10 is a top plan view thereof; and,
FIG. 11 is a bottom plan view thereof.
The broken lines in the drawings illustrate portions of the door pull which form no part of the claimed design.

1 Claim, 4 Drawing Sheets



(56)

References Cited

U.S. PATENT DOCUMENTS

D504,309	S	*	4/2005	Fuchs	D6/523
7,191,493	B2	*	3/2007	Vanderpool	B60N 3/026 16/412
D540,595	S	*	4/2007	Solowiej	D6/549
D563,707	S		3/2008	Lee		
D564,854	S	*	3/2008	Thompson	D8/300
D565,337	S		4/2008	Hoernig		
D572,111	S	*	7/2008	Busalt	D8/316
D574,695	S	*	8/2008	Krumpe	D8/316
D600,961	S		9/2009	Krumpe		
D697,334	S		1/2014	Starck		
D715,577	S		10/2014	Fritz		
D737,653	S	*	9/2015	Fuller	D8/316
D745,362	S	*	12/2015	Grasselli	D8/315
D758,827	S	*	6/2016	Grasselli	D8/315
D760,425	S	*	6/2016	Seehof	D25/41.1

OTHER PUBLICATIONS

Triangle Brass Manufacturing Company, Inc., Trimco brochure "Toilet Paper Holder", 2 pages (copyright 2013).

Triangle Brass Manufacturing Company, Inc., on-line Trimco product catalog (copyright 2015) at www.TrimcoHardware.com, print-out of 2 pages of product part Nos. 1160 Series and 1170 Series "Full Length Door Pull" marketed by Triangle Brass Manufacturing Company, Inc. since prior to Feb. 2014.

Triangle Brass Manufacturing Company, Inc., on-line Trimco product catalog (copyright 2015) at www.TrimcoHardware.com, print-out of 1 page of product part No. 571 Series "Drawer Pull" marketed by Triangle Brass Manufacturing Company, Inc. since 2013.

* cited by examiner

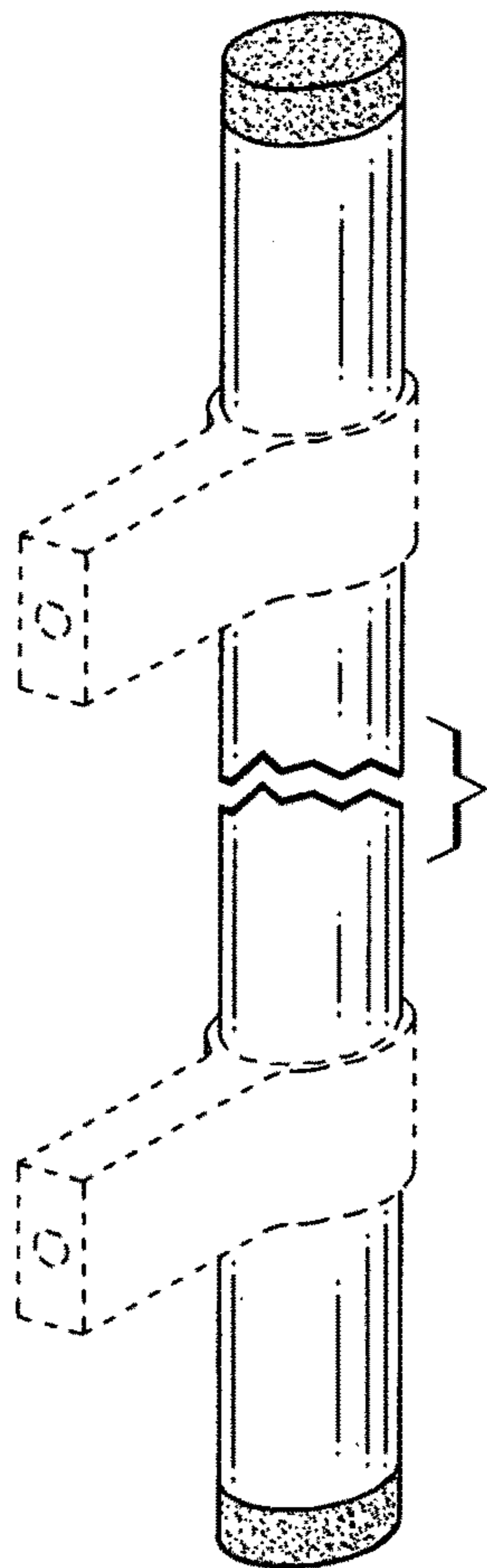


FIG. 1

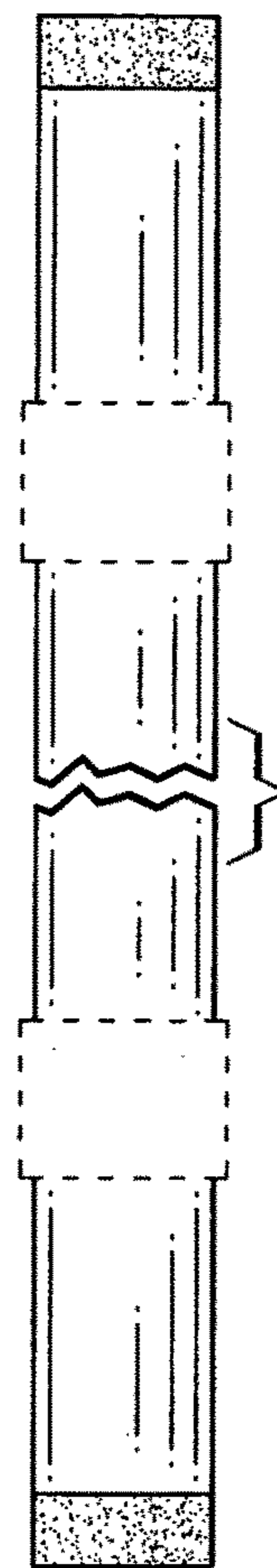


FIG. 2

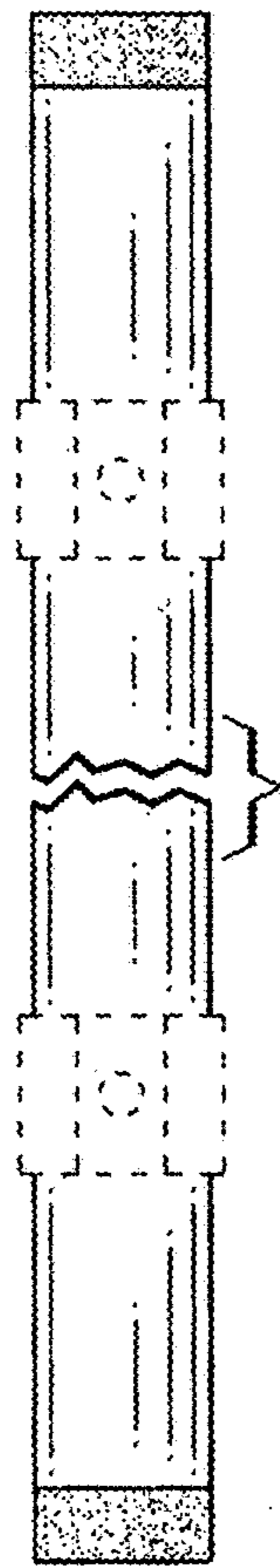


FIG. 3

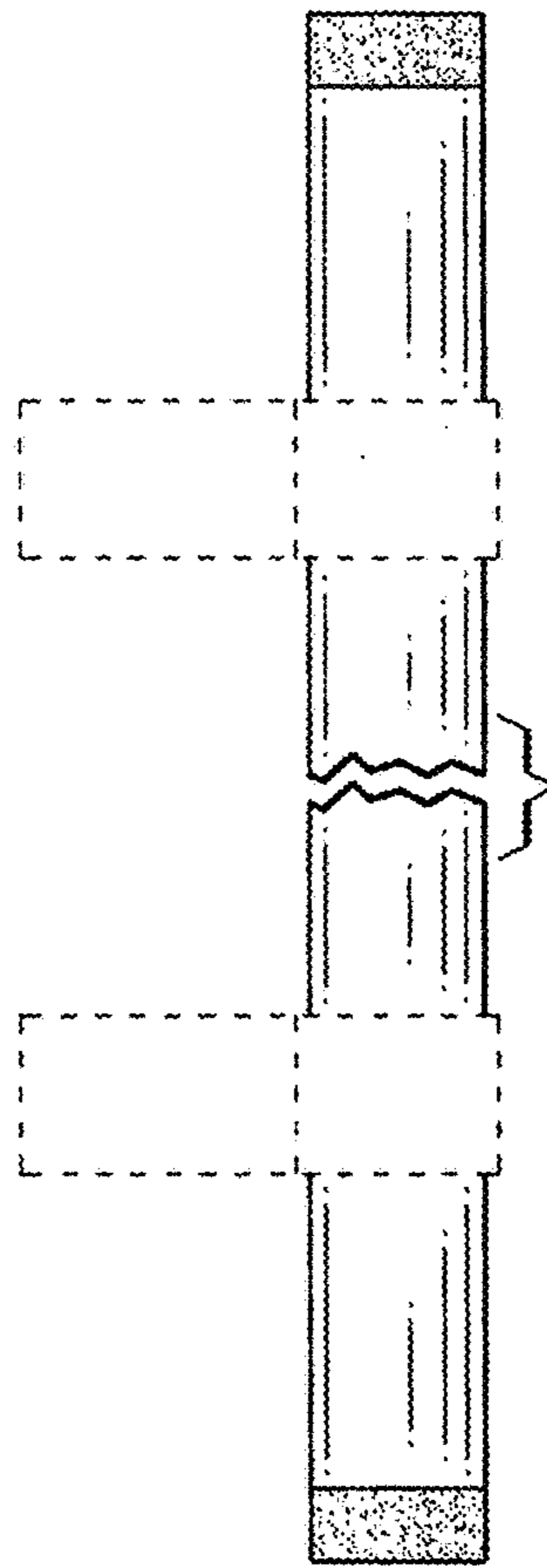


FIG. 4

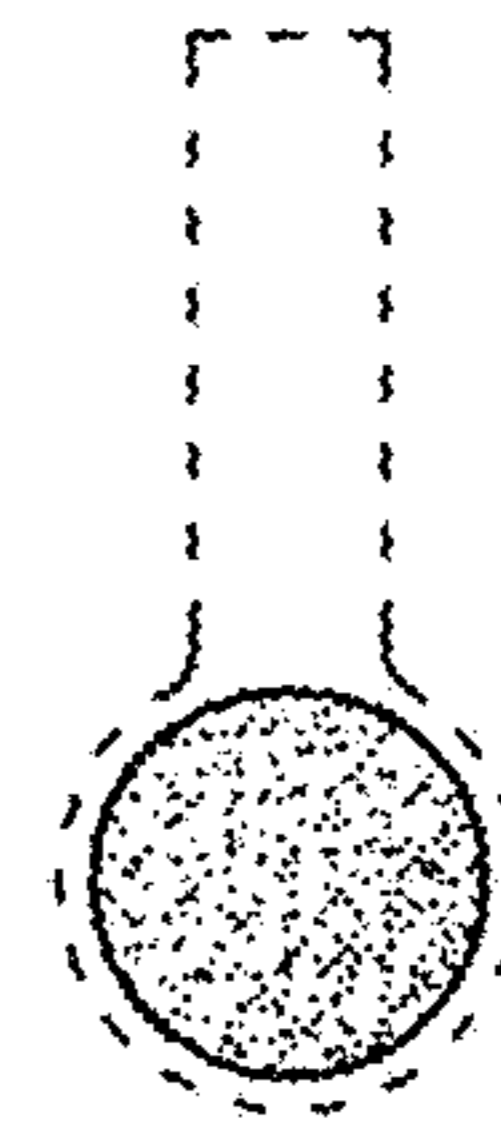


FIG. 5

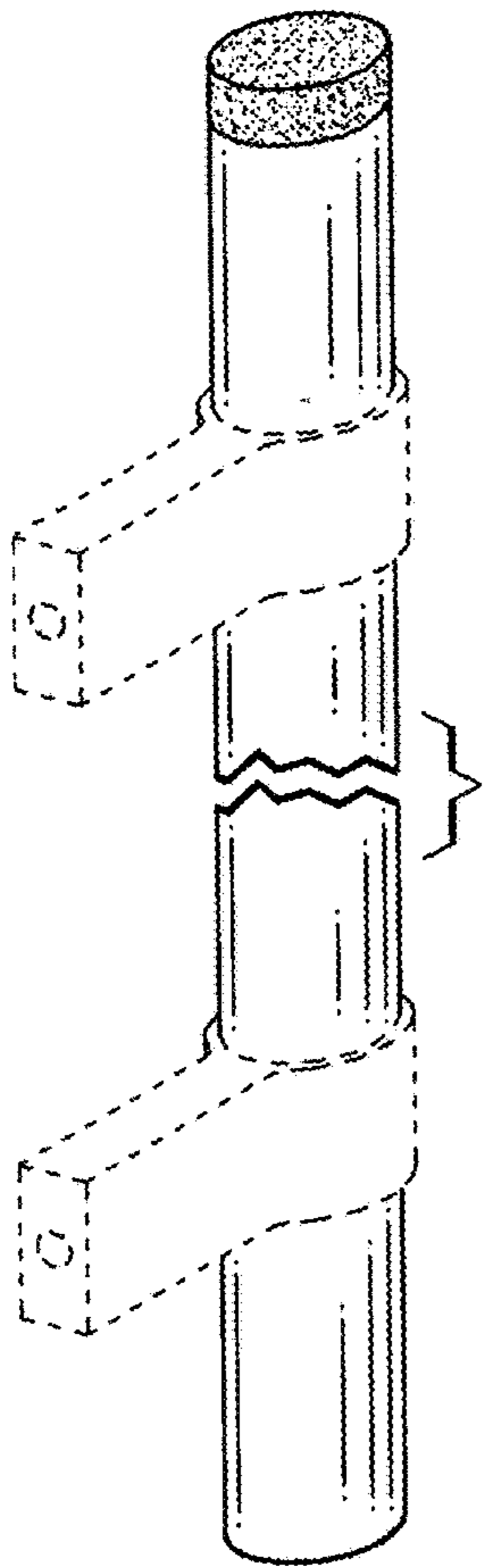


FIG. 6

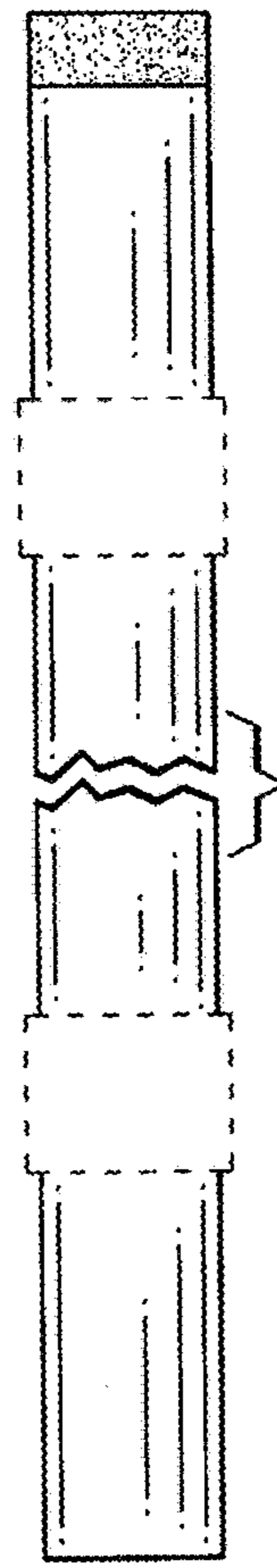


FIG. 7

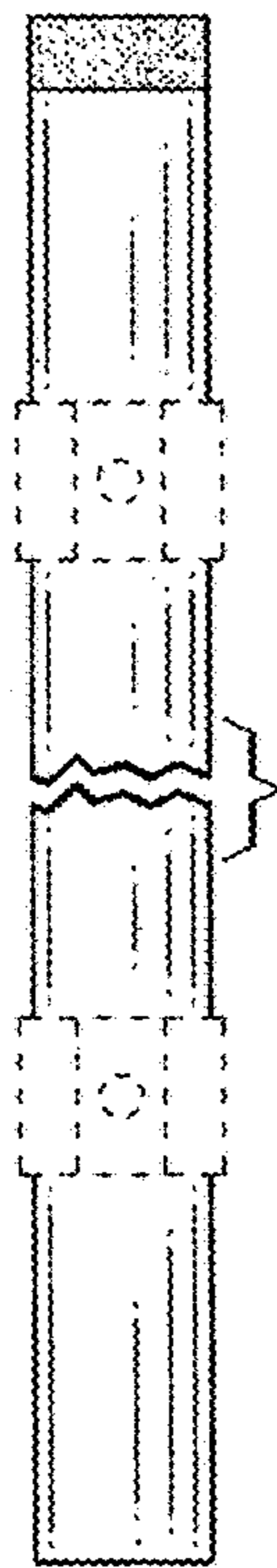


FIG. 8

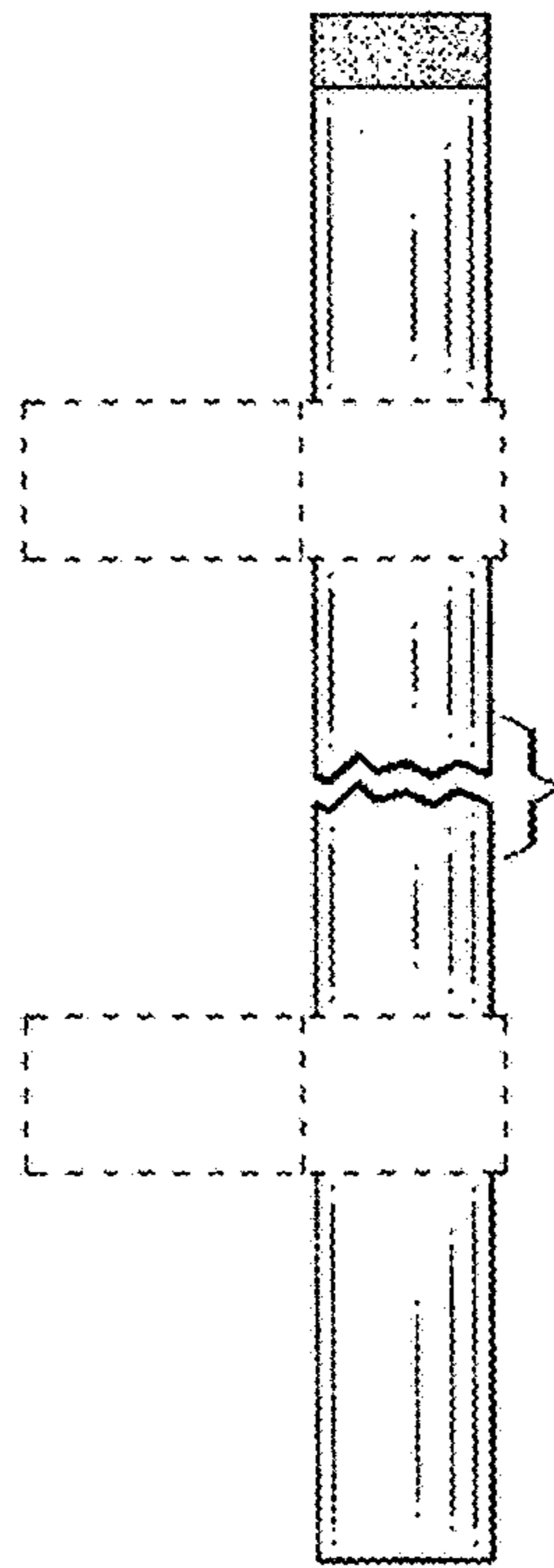


FIG. 9



FIG. 10

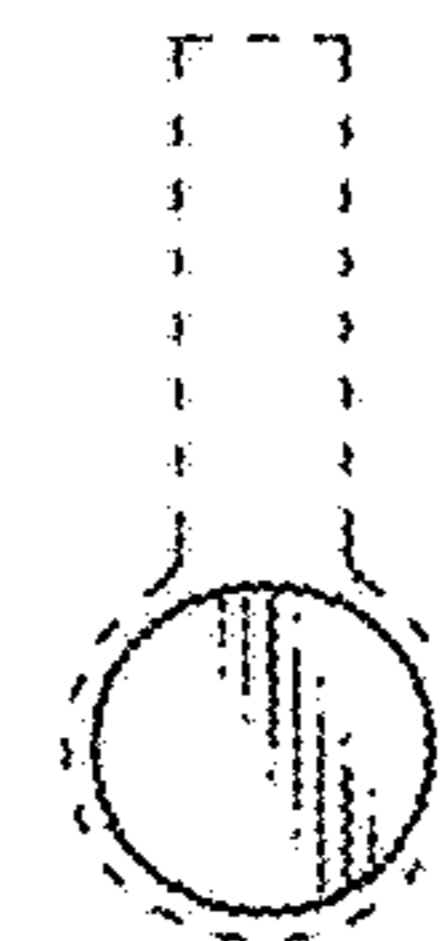


FIG. 11

UNITED STATES PATENT AND TRADEMARK OFFICE
CERTIFICATE OF CORRECTION

PATENT NO. : D796,294 S
APPLICATION NO. : 29/474768
DATED : September 5, 2017
INVENTOR(S) : Martin S. Simon

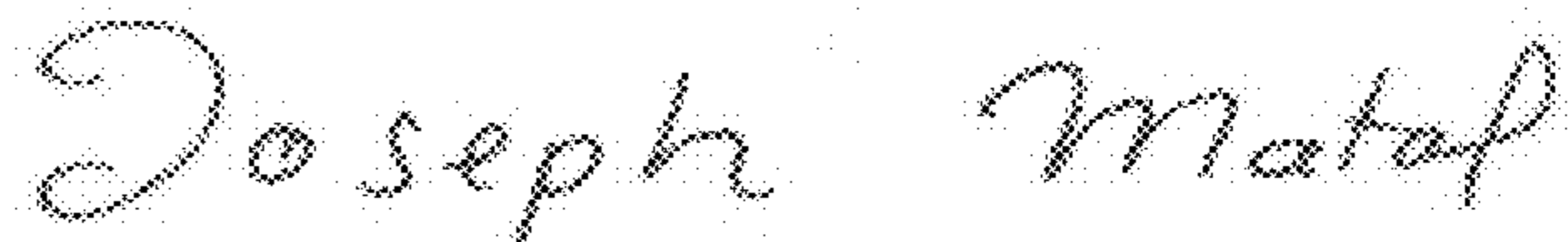
Page 1 of 1

It is certified that error appears in the above-identified patent and that said Letters Patent is hereby corrected as shown below:

On the Title Page

DESCRIPTION, in the last paragraph, the following sentence should be added:
--The door pull is drawn broken away in FIGs. 1-4 and 6-9 to show indeterminate length.--

Signed and Sealed this
Twenty-first Day of November, 2017



Joseph Matal

*Performing the Functions and Duties of the
Under Secretary of Commerce for Intellectual Property and
Director of the United States Patent and Trademark Office*