



US00D796293S

(12) **United States Design Patent** (10) **Patent No.:** **US D796,293 S**  
**Alliss** (45) **Date of Patent:** **\*\* Sep. 5, 2017**

(54) **KNOB FOR A STRING TRIMMER HEAD**

(71) Applicant: **George E. Alliss**, Fairmont, NC (US)

(72) Inventor: **George E. Alliss**, Fairmont, NC (US)

(\*\*) Term: **15 Years**

(21) Appl. No.: **29/557,557**

(22) Filed: **Mar. 10, 2016**

(51) **LOC (10) Cl.** ..... **08-06**

(52) **U.S. Cl.**  
USPC ..... **D8/310; D8/313; D8/8**

(58) **Field of Classification Search**  
USPC ..... D8/1, 7, 8, 9, 383, 499, 307, 310, 313,  
D8/312; D15/1, 17  
CPC .... A01D 34/01; A01D 34/412; A01D 34/416;  
A01D 34/015; A01D 34/4161; A01D  
34/4165; A01D 34/4166; A01D 34/4167;  
A01D 34/84; A01G 3/062; B25F 5/02  
See application file for complete search history.

(56) **References Cited**

**U.S. PATENT DOCUMENTS**

|           |     |         |                 |                        |
|-----------|-----|---------|-----------------|------------------------|
| 2,797,592 | A * | 7/1957  | Marrapese ..... | G05G 1/10<br>192/66.32 |
| D252,208  | S * | 6/1979  | Ooya .....      | D16/219                |
| 4,550,498 | A   | 11/1985 | Oliver          |                        |
| D284,263  | S * | 6/1986  | Resan .....     | D23/260                |
| D284,266  | S * | 6/1986  | Resan .....     | D23/260                |
| D460,904  | S   | 7/2002  | Riley et al.    |                        |
| D465,975  | S   | 11/2002 | Iacona          |                        |
| D472,947  | S * | 4/2003  | Wu .....        | D21/694                |
| D482,941  | S   | 12/2003 | Nystrom         |                        |
| D516,407  | S * | 3/2006  | Grutzke .....   | D8/310                 |
| D589,776  | S * | 4/2009  | Camp .....      | D8/310                 |
| D675,655  | S * | 2/2013  | Leach .....     | D15/144                |
| D759,445  | S   | 6/2016  | Tinius          |                        |
| D769,086  | S   | 10/2016 | Alliss          |                        |
| D769,087  | S   | 10/2016 | Alliss          |                        |

|              |     |         |                |                        |
|--------------|-----|---------|----------------|------------------------|
| D769,088     | S   | 10/2016 | Alliss         |                        |
| 2003/0052218 | A1  | 3/2003  | Knizner        |                        |
| 2009/0172955 | A1* | 7/2009  | Morris .....   | A01D 34/4163<br>30/276 |
| 2009/0260237 | A1  | 10/2009 | Alliss         |                        |
| 2009/0282687 | A1* | 11/2009 | Arnetoli ..... | A01D 34/4161<br>30/276 |

(Continued)

*Primary Examiner* — Sandra Snapp

*Assistant Examiner* — Ieisha Price

(74) *Attorney, Agent, or Firm* — Sand & Sebolt

(57) **CLAIM**

The ornamental designs for a knob for a string trimmer head, as shown and described.

**DESCRIPTION**

FIG. 1 is a front and bottom perspective view of the first embodiment of the knob for a string trimmer head.

FIG. 2 is a top plan view of the knob for a string trimmer head of FIG. 1.

FIG. 3 is a bottom plan view of the knob for a string trimmer head of FIG. 1.

FIG. 4 is a front view of the knob for a string trimmer head of FIG. 1. The back view being the same as the front view.

FIG. 5 is a front and bottom perspective view of the second embodiment of the knob for a string trimmer head.

FIG. 6 is a top plan view of the knob for a string trimmer head of FIG. 5.

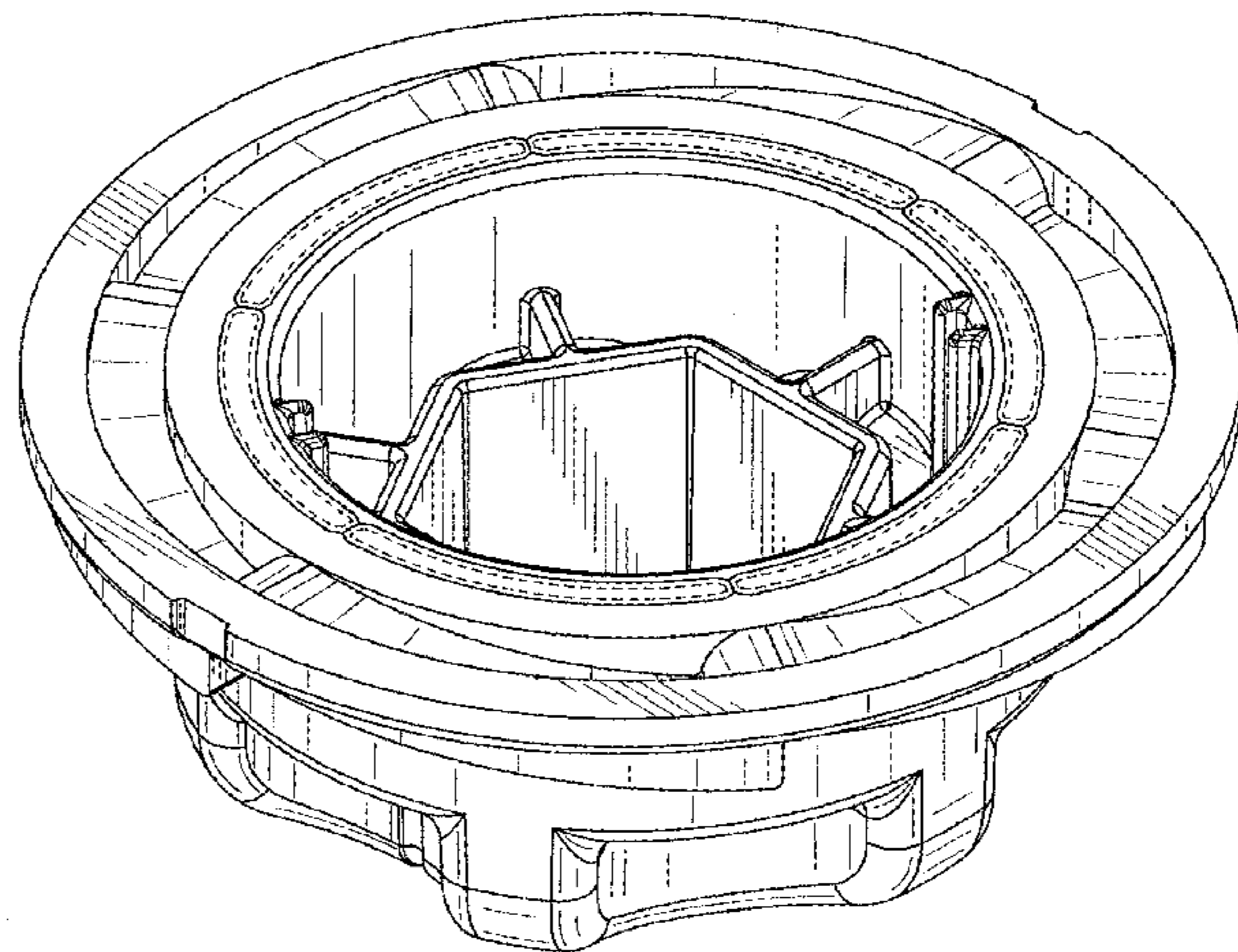
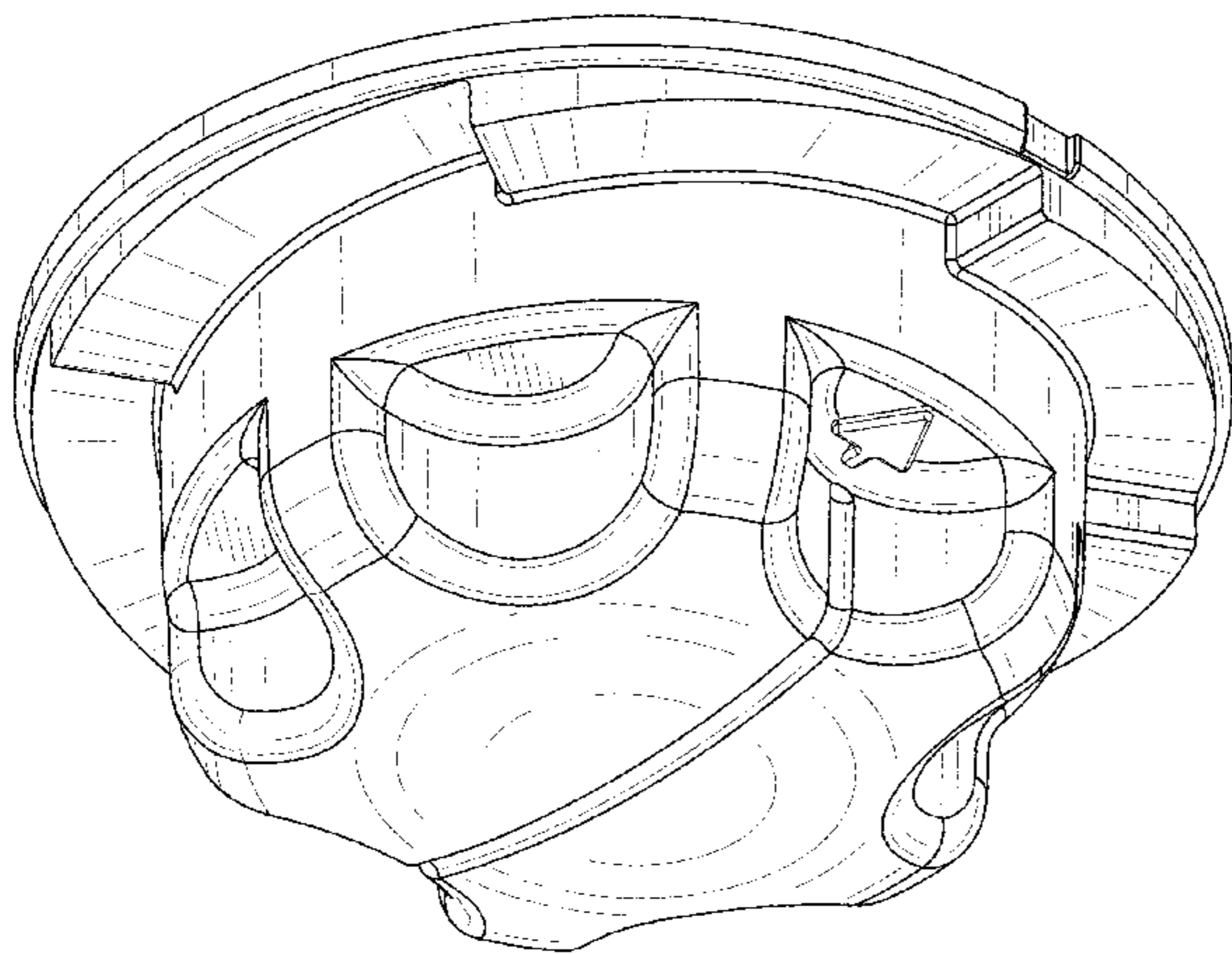
FIG. 7 is a bottom plan view of the knob for a string trimmer head of FIG. 5.

FIG. 8 is a front view of the knob for a string trimmer head of FIG. 5. The back view being the same as the front view.

FIG. 9 is a perspective view from the front and top of the knob for a string trimmer head of FIG. 5; and,

FIG. 10 is a perspective view from the front and top of the knob for a string trimmer head of FIG. 1.

**1 Claim, 10 Drawing Sheets**



(56)

**References Cited**

U.S. PATENT DOCUMENTS

2011/0000091 A1 1/2011 Proulx  
2011/0302793 A1\* 12/2011 Alliss ..... A01D 34/4166  
30/347  
2012/0066913 A1 3/2012 Alliss et al.  
2015/0150191 A1\* 6/2015 Alliss ..... A01D 34/4163  
30/276  
2015/0223395 A1\* 8/2015 Pellenc ..... A01D 34/4161  
30/276  
2015/0342116 A1\* 12/2015 Sprungman ..... A01D 34/4163  
30/276  
2016/0143219 A1 5/2016 Yuan et al.  
2016/0278288 A1 9/2016 Yamaoka

\* cited by examiner

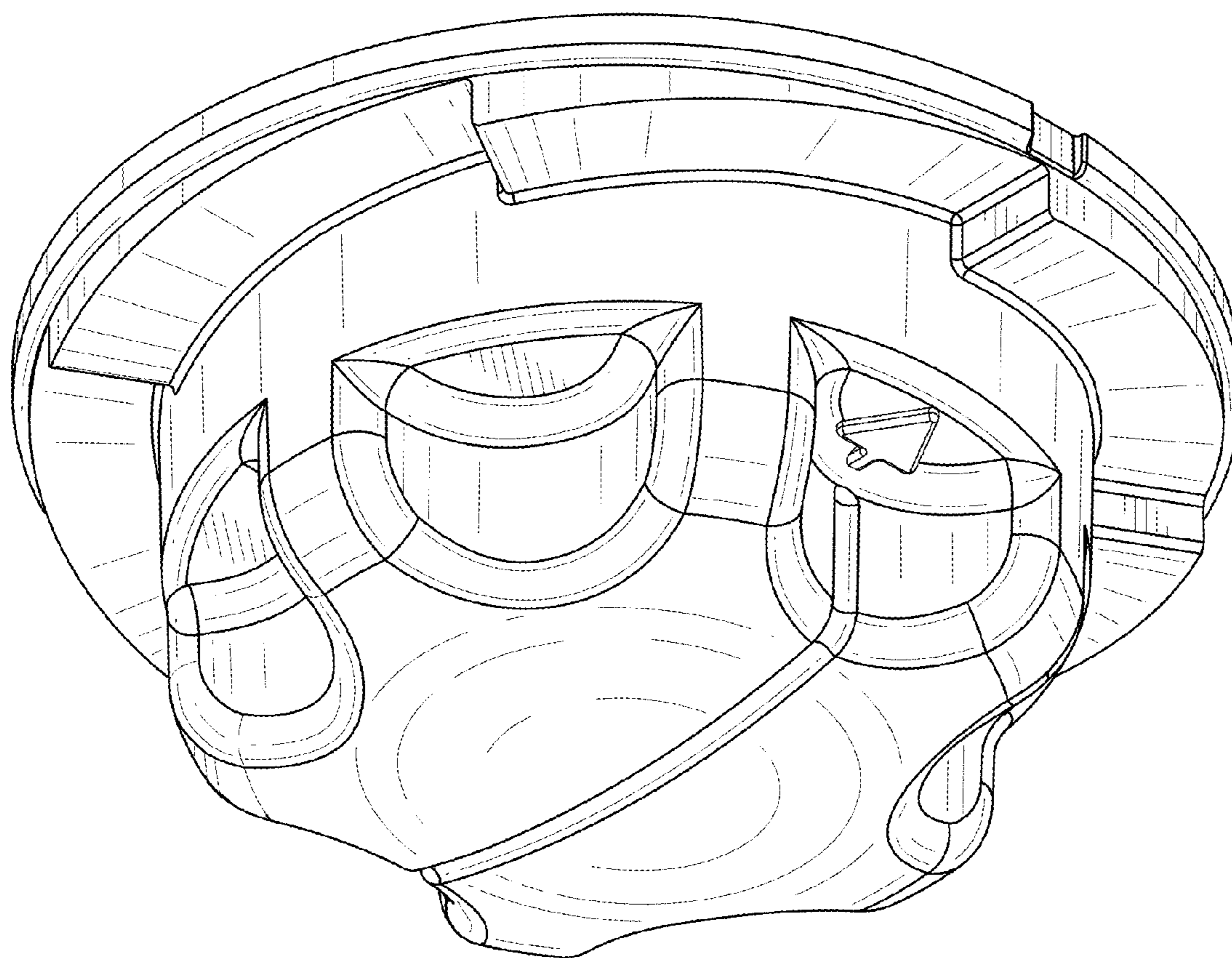


FIG. 1



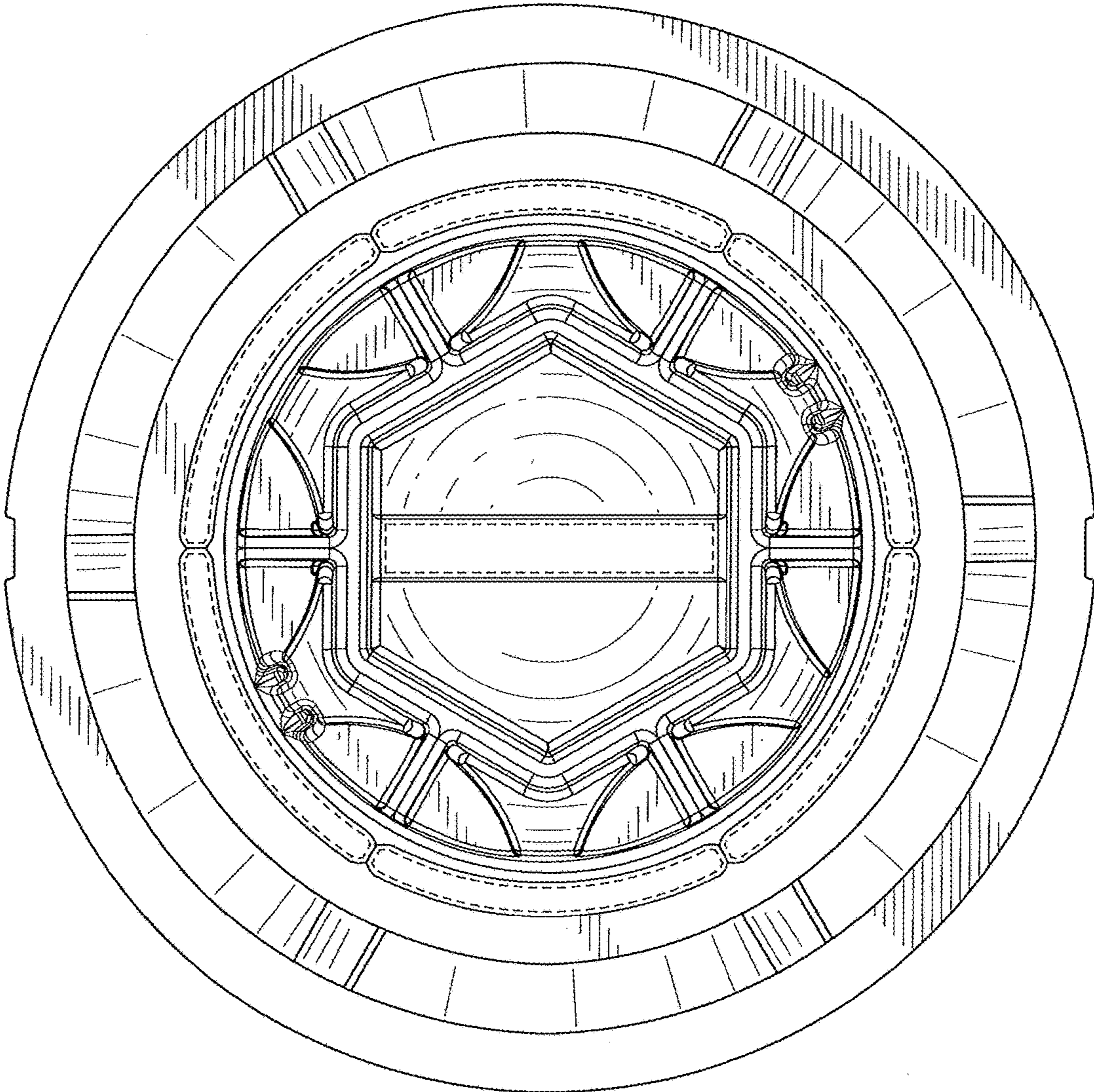


FIG.2

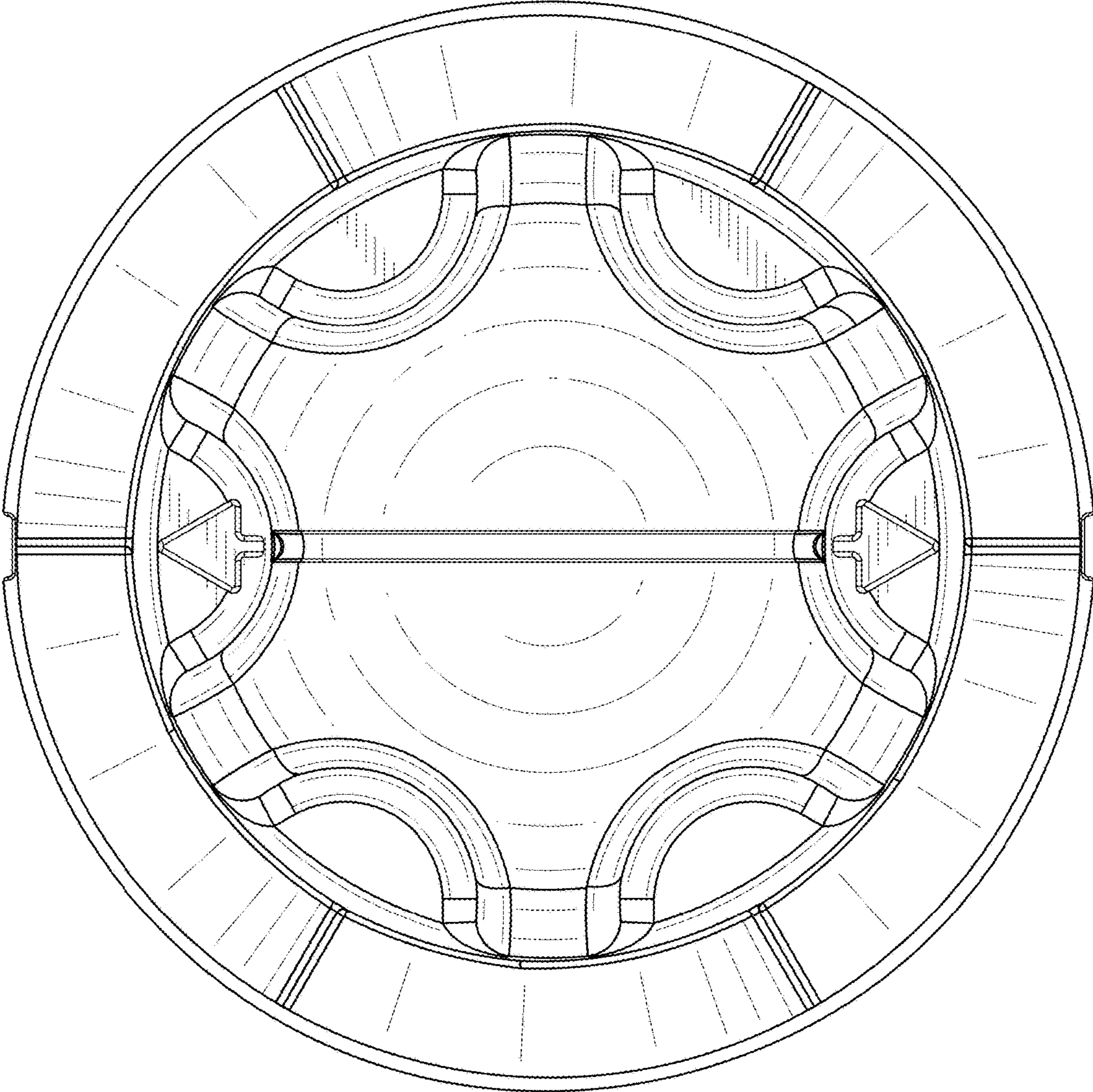


FIG. 3

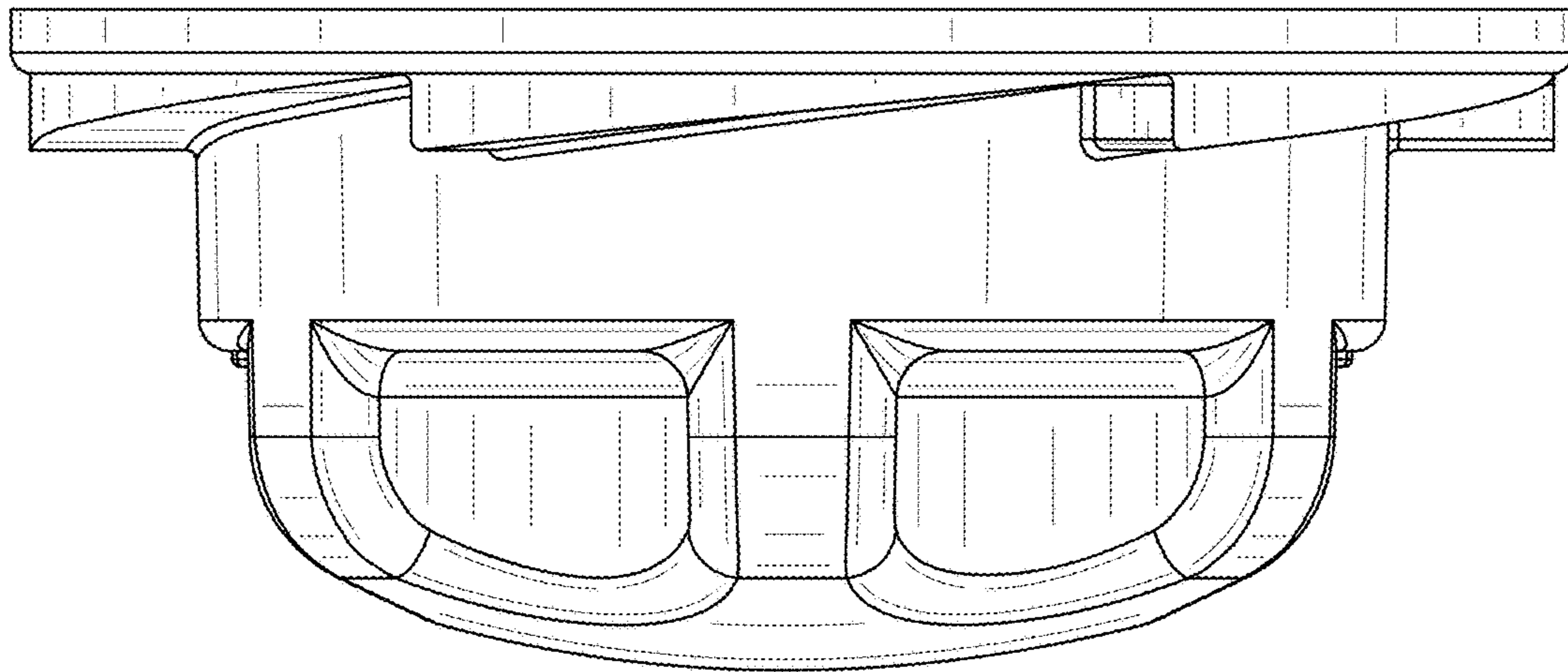


FIG. 4



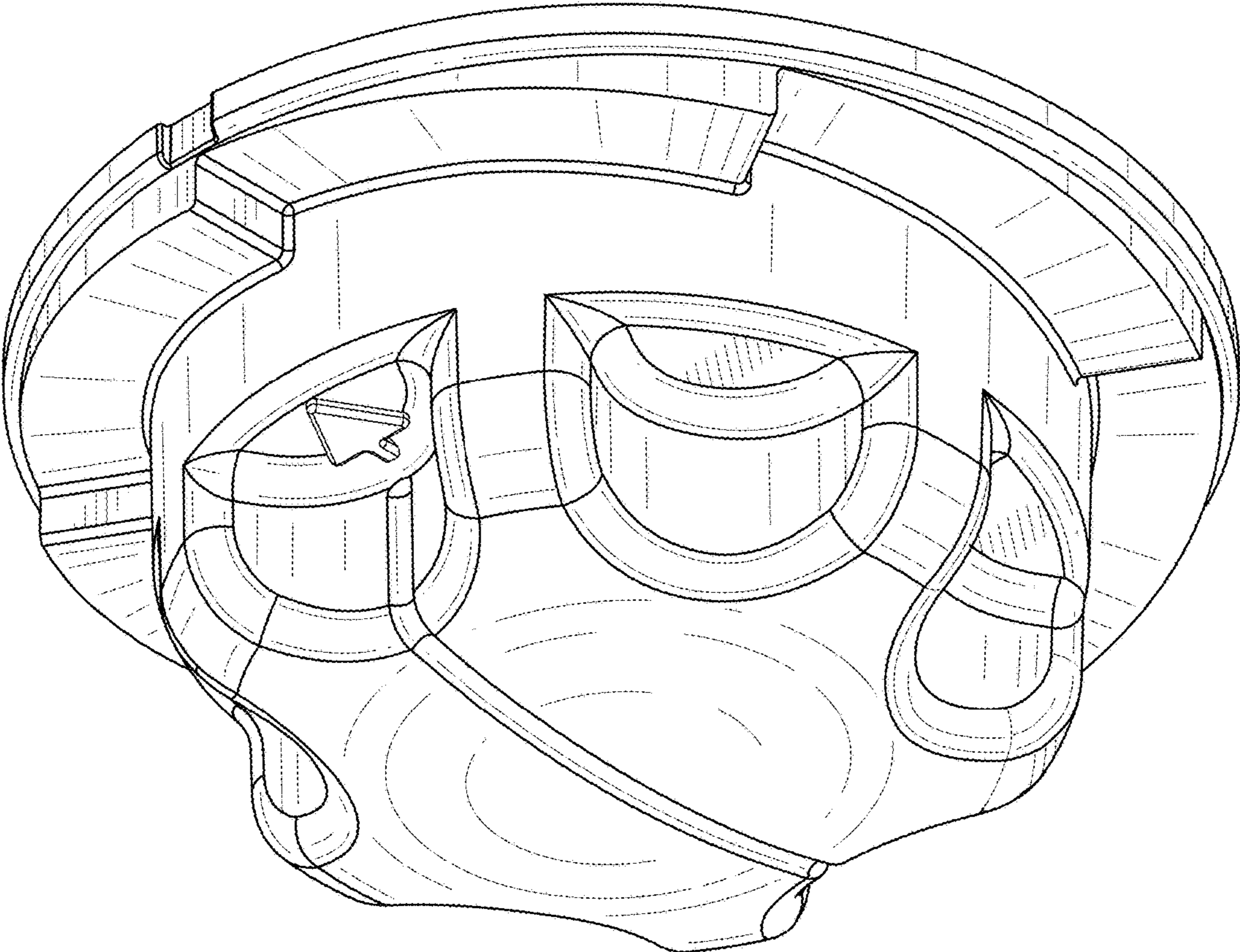


FIG. 5

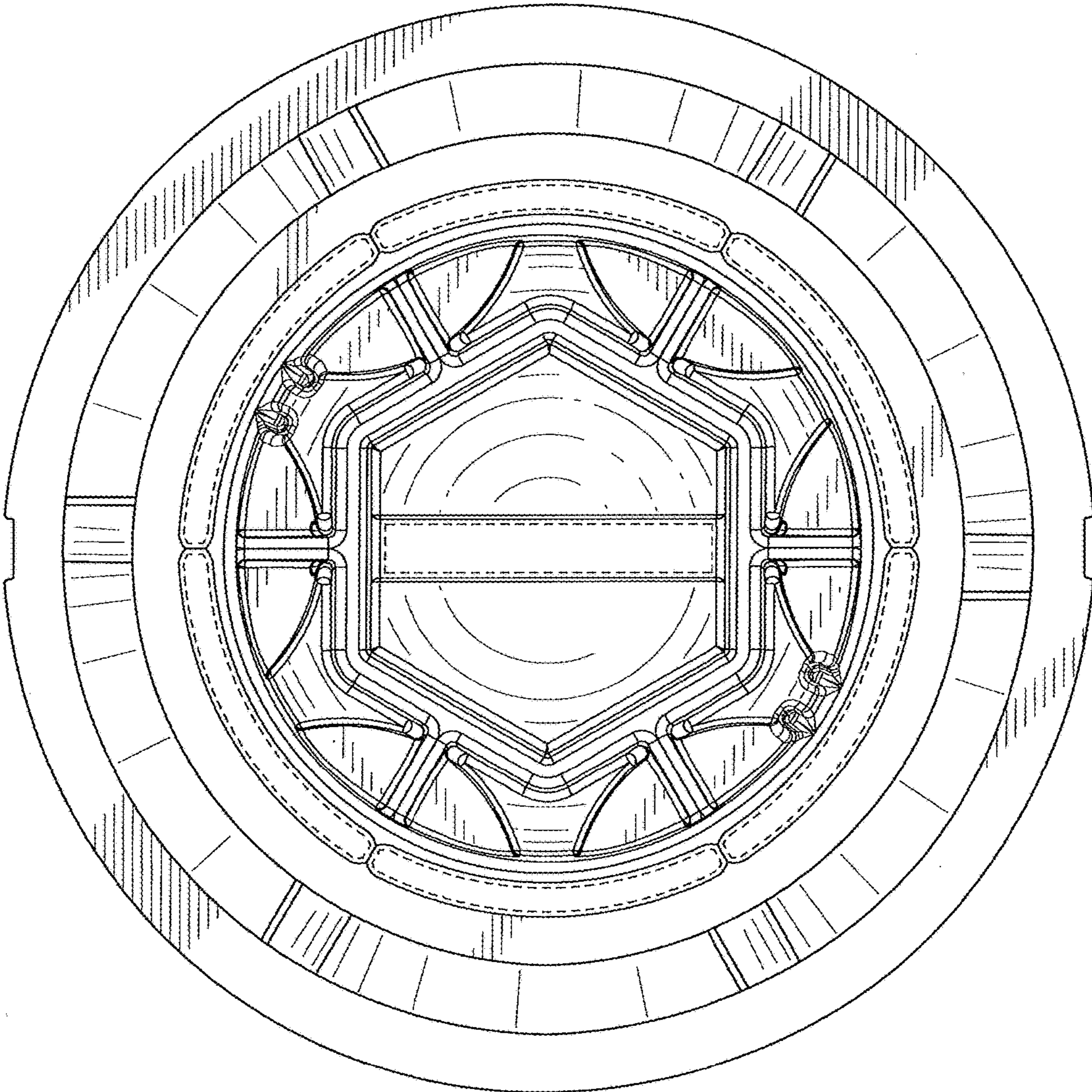


FIG.6



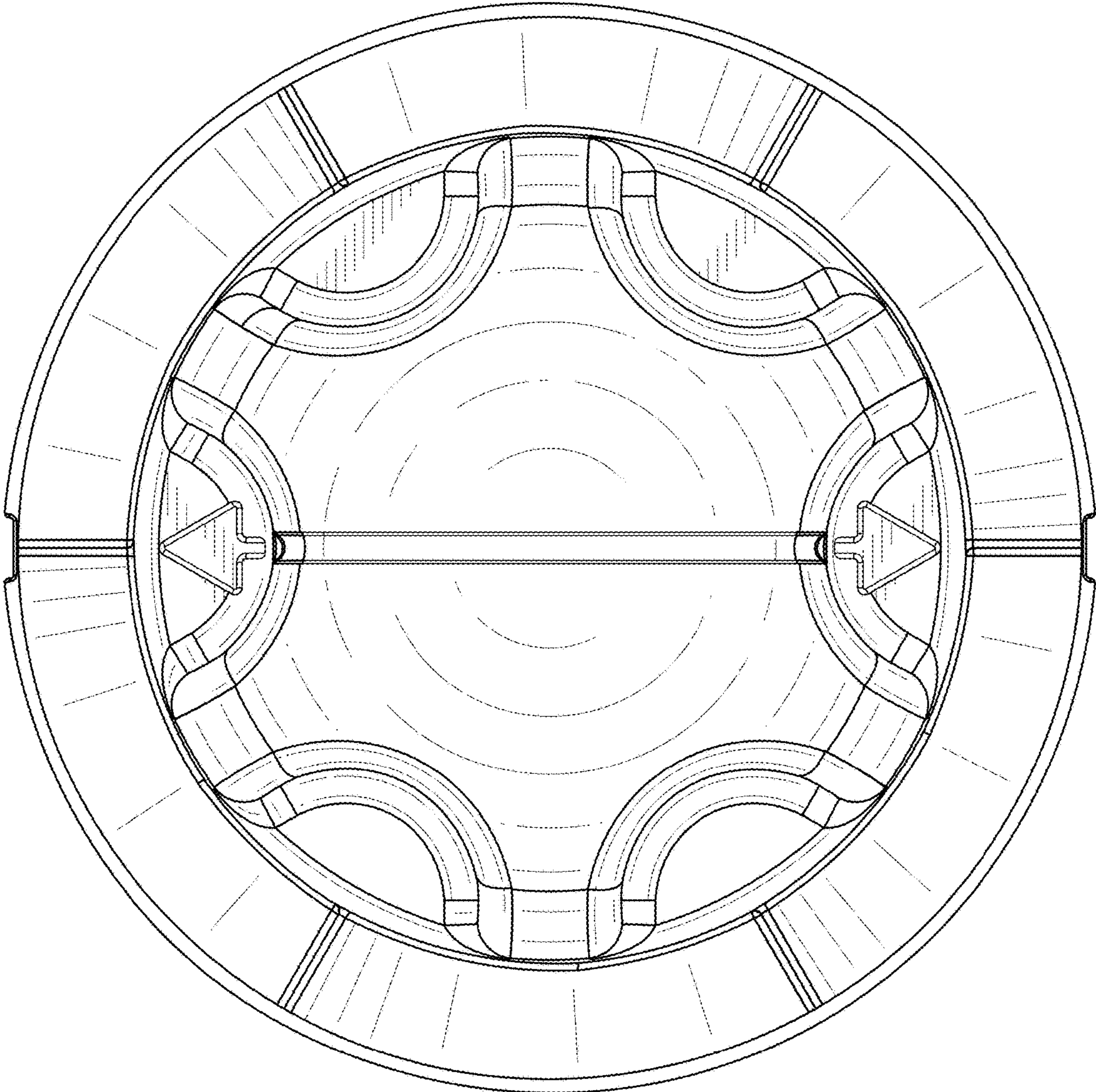


FIG. 7

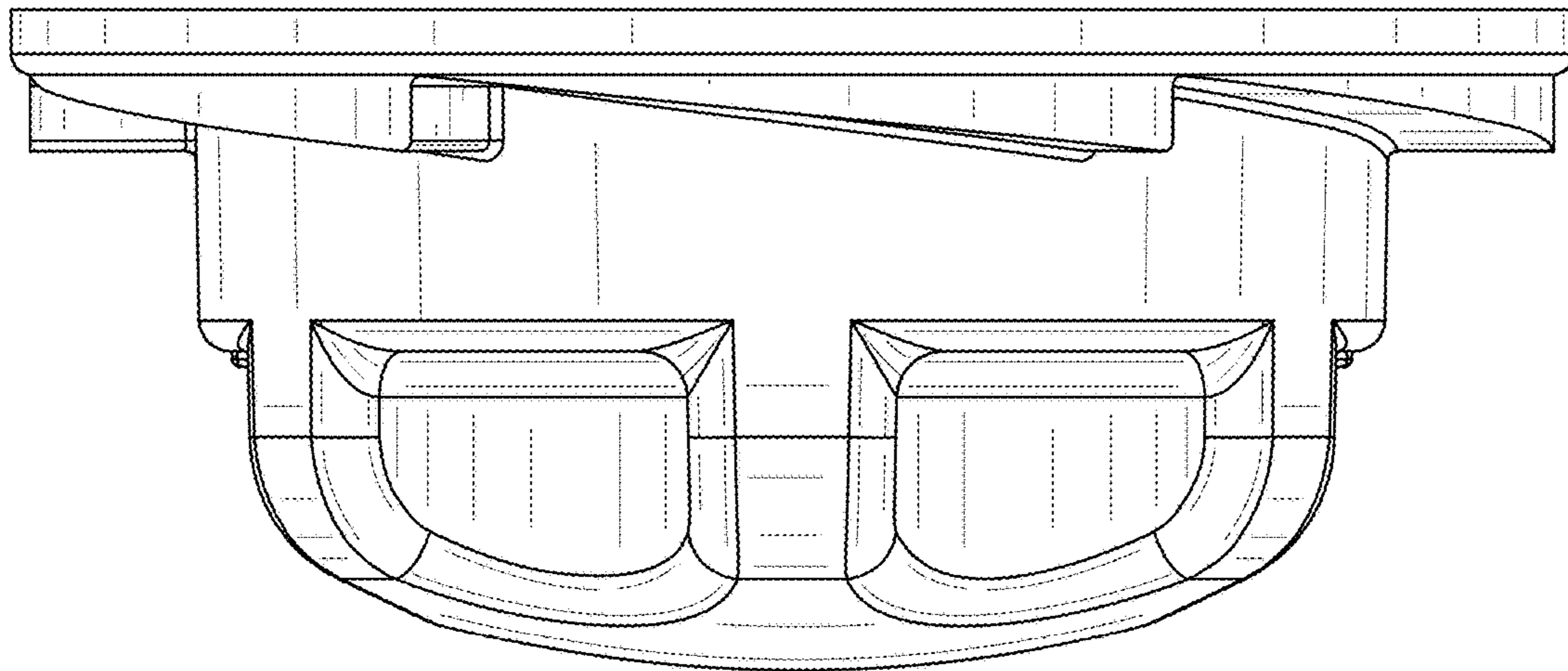


FIG. 8

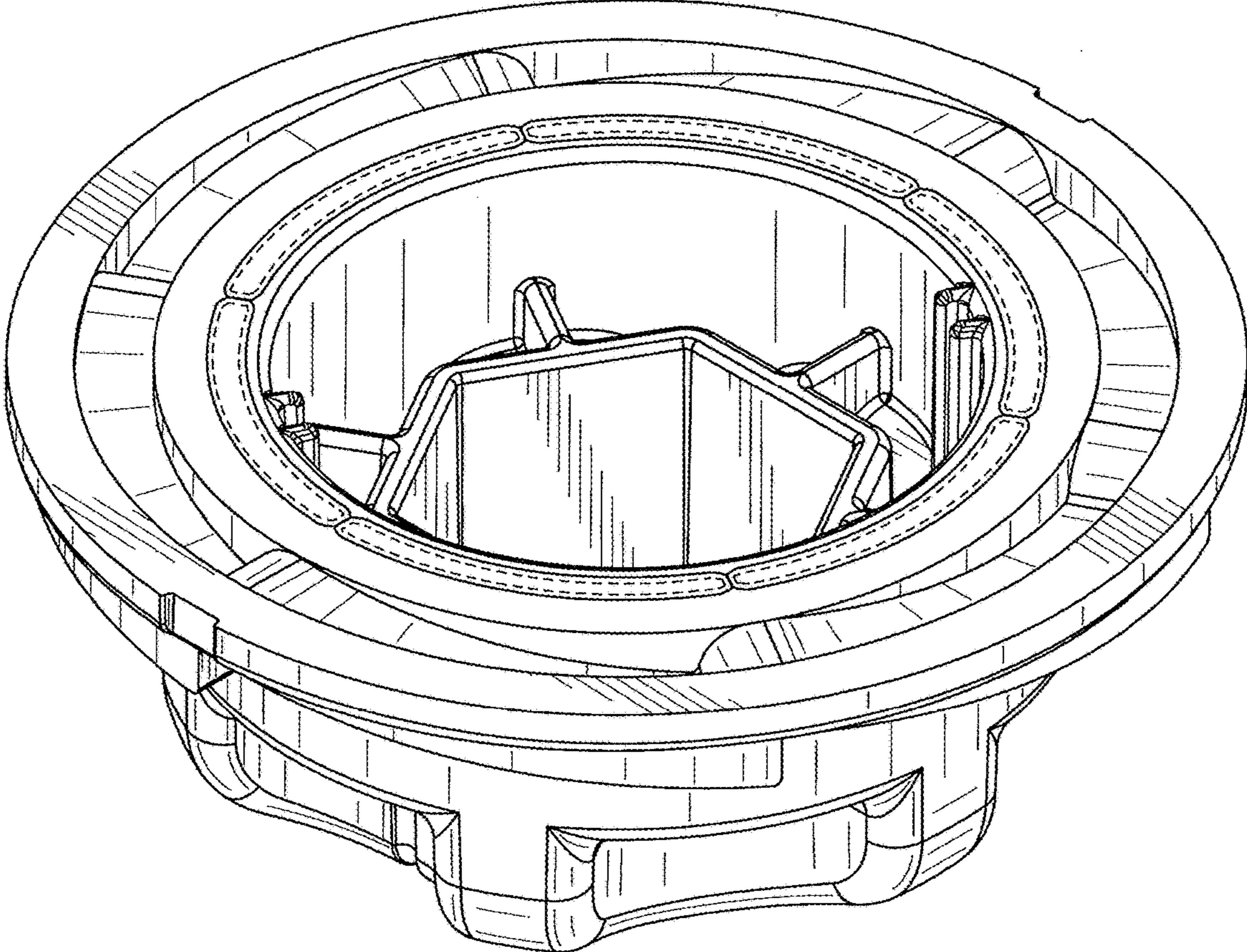


FIG.9



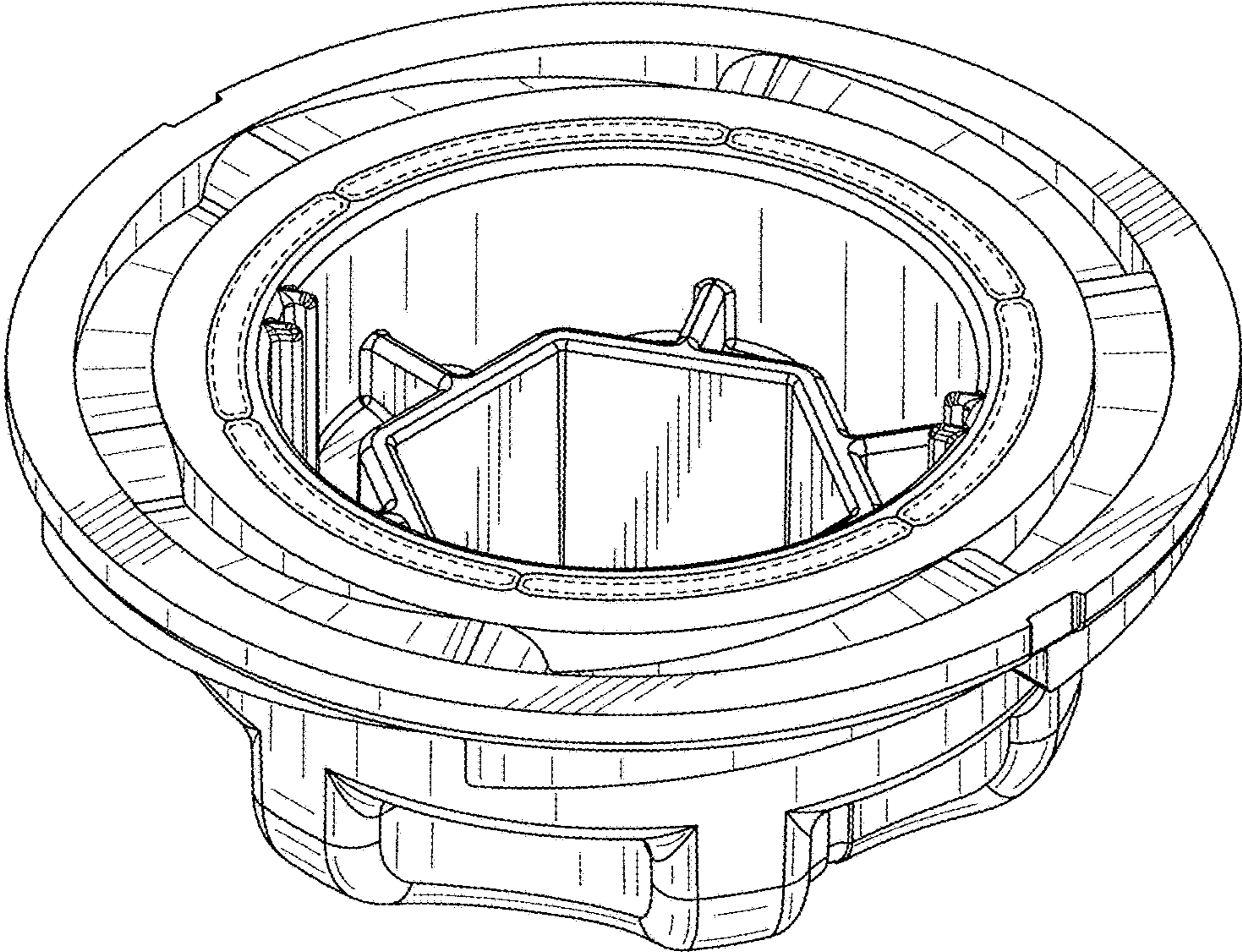


FIG.10