



US00D796288S

(12) **United States Design Patent** (10) **Patent No.:** **US D796,288 S**
Groten et al. (45) **Date of Patent:** **** Sep. 5, 2017**

(54) **TUBE CUTTER OR CUTTING NIPPER**

(71) Applicant: **Zenten Bernhard Groten, S.L.**, Irun (Guipuzcoa) (ES)

(72) Inventors: **Alberto Groten**, Irun (ES); **Manuel Aizpurúa**, Irun (ES)

(**) Term: **15 Years**

(21) Appl. No.: **29/557,428**

(22) Filed: **Mar. 9, 2016**

(30) **Foreign Application Priority Data**

Sep. 11, 2015 (EM) 002770966-0002

(51) **LOC (10) Cl.** **08-03**

(52) **U.S. Cl.**
USPC **D8/60**

(58) **Field of Classification Search**
USPC D8/4, 5, 51-60, 105, 107
CPC B23D 21/08; B23D 21/04; B23D 21/00;
B26D 3/169
See application file for complete search history.

(56) **References Cited**

U.S. PATENT DOCUMENTS

D412,095 S *	7/1999	Tally	D8/60
D423,895 S *	5/2000	Azkona	D8/60
D453,287 S *	2/2002	Picaza	D8/52
D569,702 S	5/2008	Groten		
D591,125 S	4/2009	Groten		
D591,126 S	4/2009	Groten		
D612,221 S	3/2010	Groten et al.		
D612,697 S *	3/2010	Huang	D8/60

D612,698 S *	3/2010	Huang	D8/60
D612,699 S	3/2010	Groten et al.		
D693,662 S	11/2013	Groten et al.		
D693,663 S	11/2013	Groten et al.		
D694,603 S *	12/2013	Smith	D8/60
D697,773 S	1/2014	Groten et al.		
D705,623 S	5/2014	Groten et al.		
D705,624 S	5/2014	Groten et al.		
D711,205 S	8/2014	Groten et al.		

* cited by examiner

Primary Examiner — Deanna L Pratt

(74) *Attorney, Agent, or Firm* — Cook Alex Ltd.

(57) **CLAIM**

The ornamental design for the tube cutter or cutting nipper, as shown and described.

DESCRIPTION

FIG. 1 is a front perspective view of tube cutter or cutting nipper showing our new design;
 FIG. 2 is a rear perspective view of the tube cutter or cutting nipper of FIG. 1;
 FIG. 3 is a front view of the tube cutter or cutting nipper of FIG. 1;
 FIG. 4 a back view of the tube cutter or cutting nipper of FIG. 1;
 FIG. 5 is an elevational end view of the tube cutter or cutting nipper taken from the right-hand side of FIG. 3;
 FIG. 6 is an elevational end view of the tube cutter or cutting nipper taken from the left-hand side of FIG. 3;
 FIG. 7 is a top view of the tube cutter or cutting nipper of FIG. 3; and,
 FIG. 8 is a bottom view of the tube cutter or cutting nipper of FIG. 3.

1 Claim, 6 Drawing Sheets

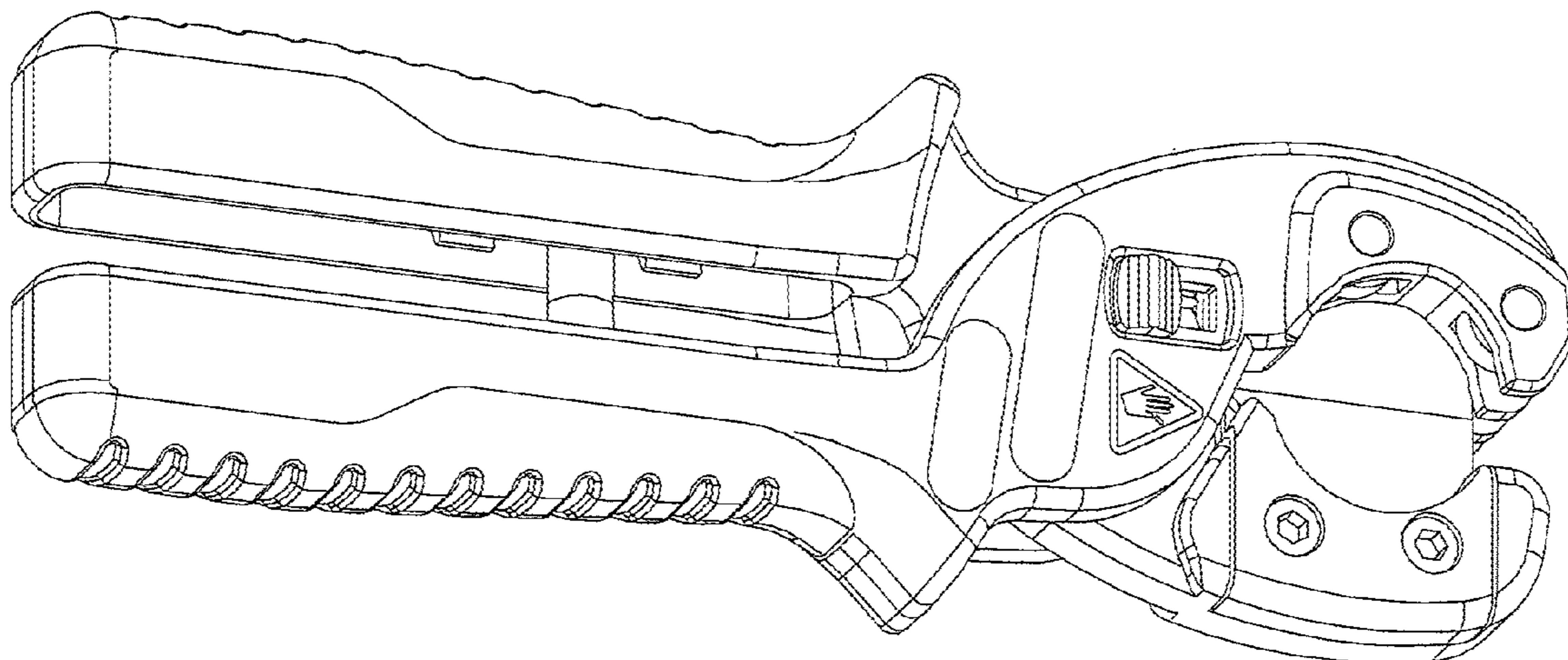


FIG. 1

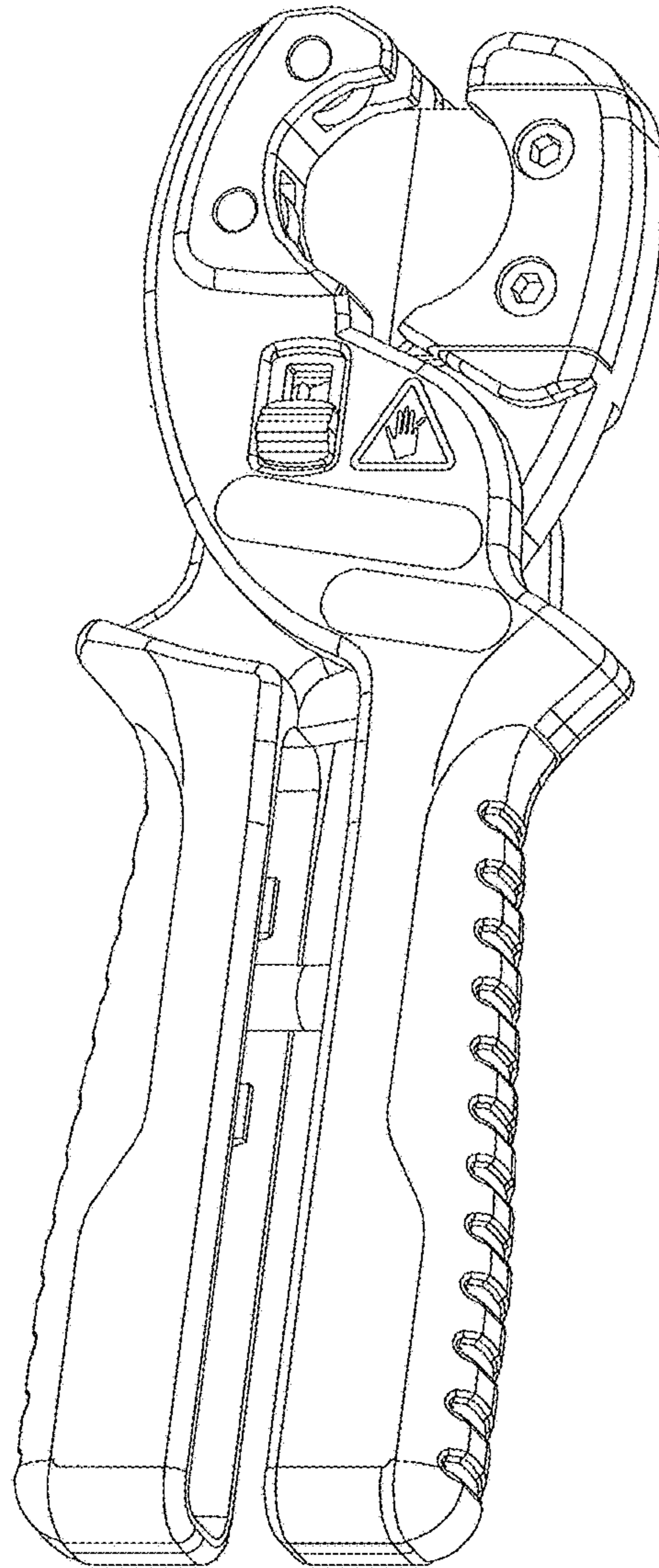


FIG. 2

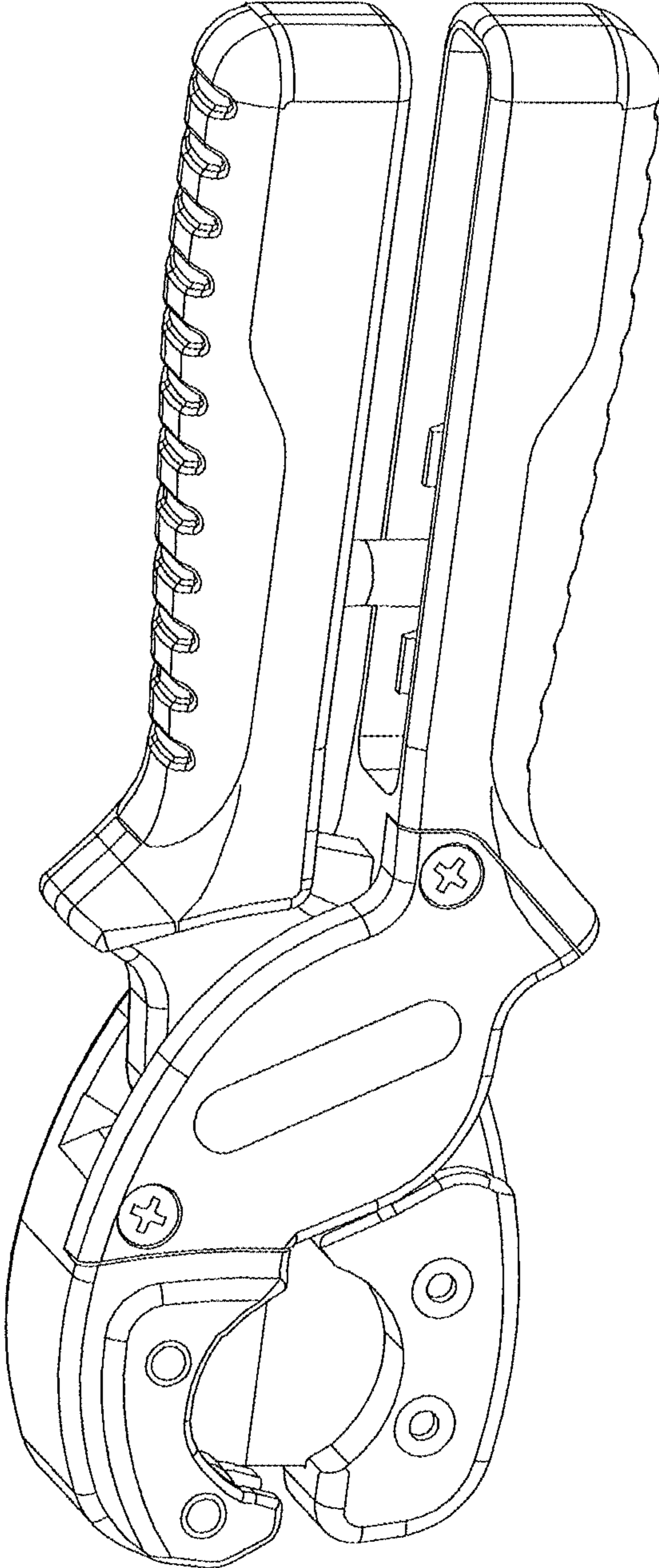


FIG. 3

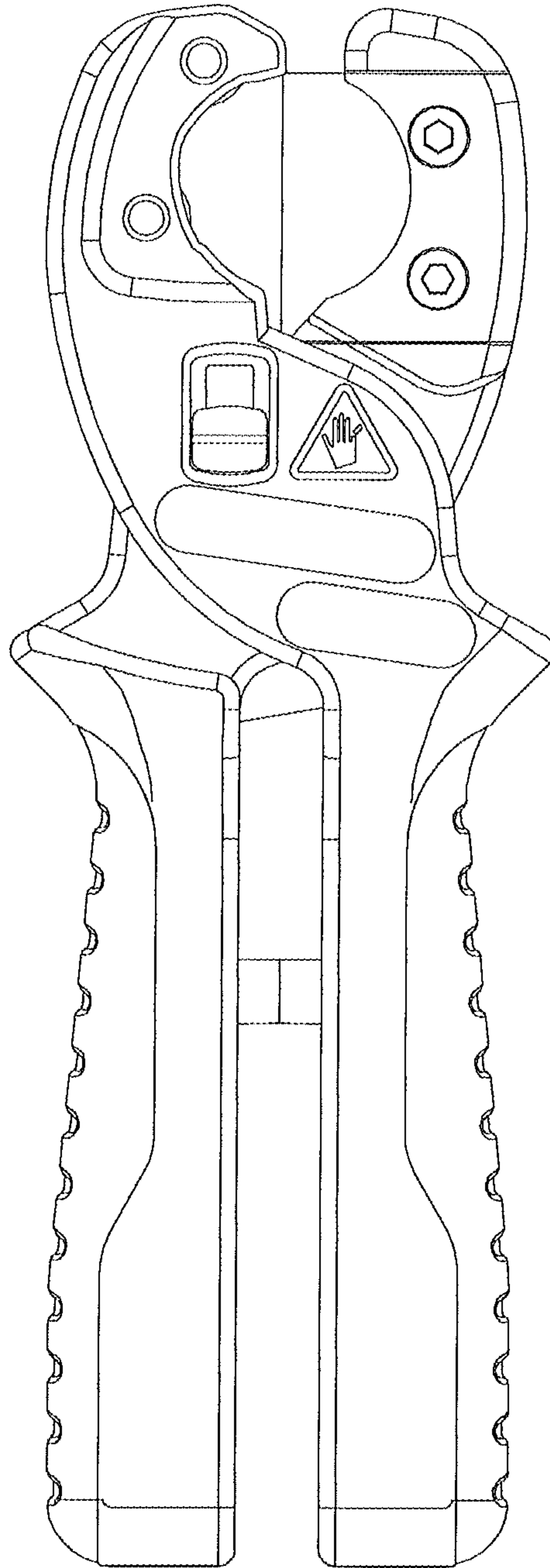
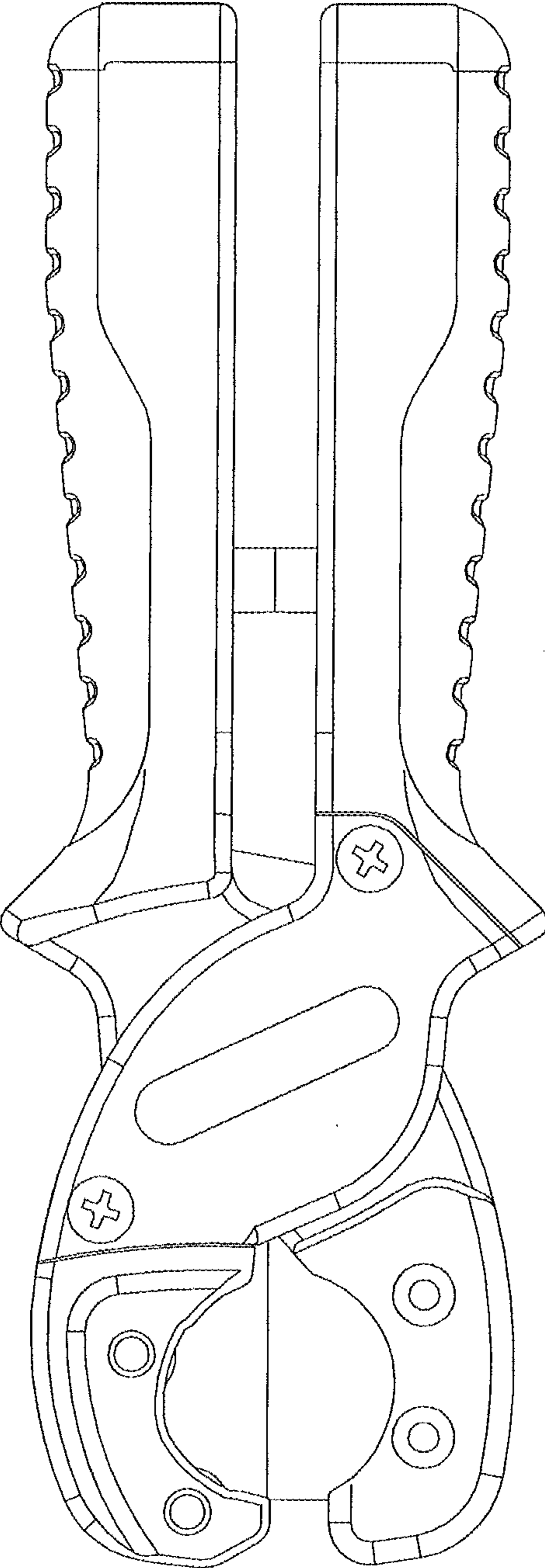


FIG. 4



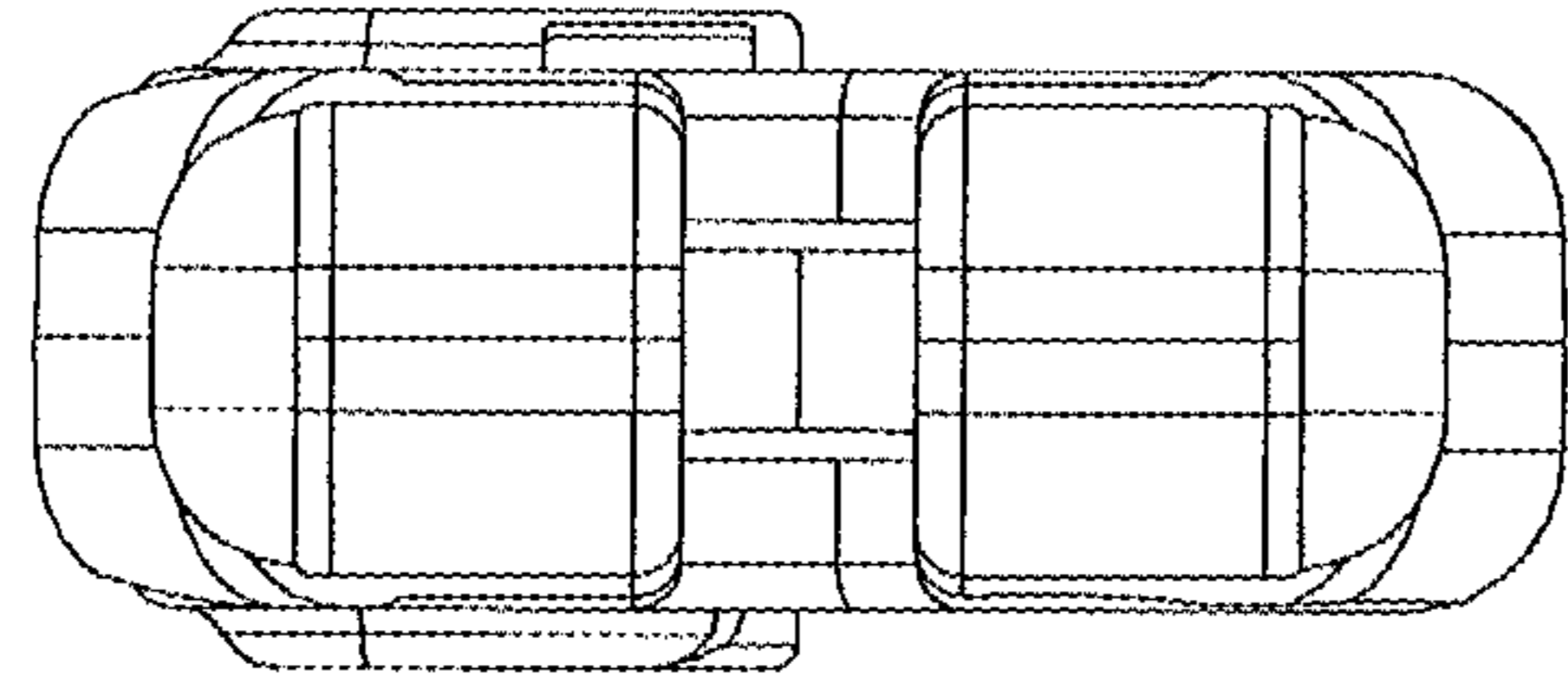


FIG. 6

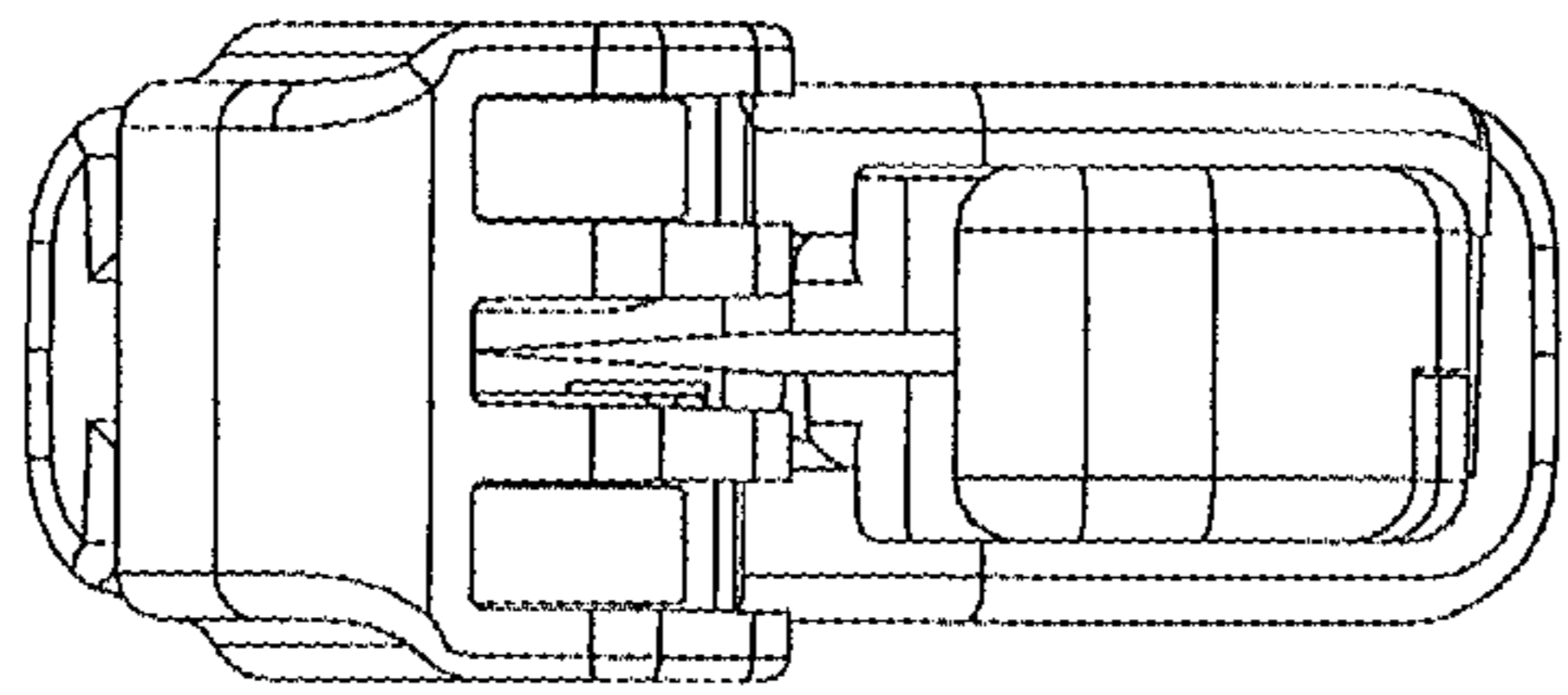


FIG. 5

FIG. 8

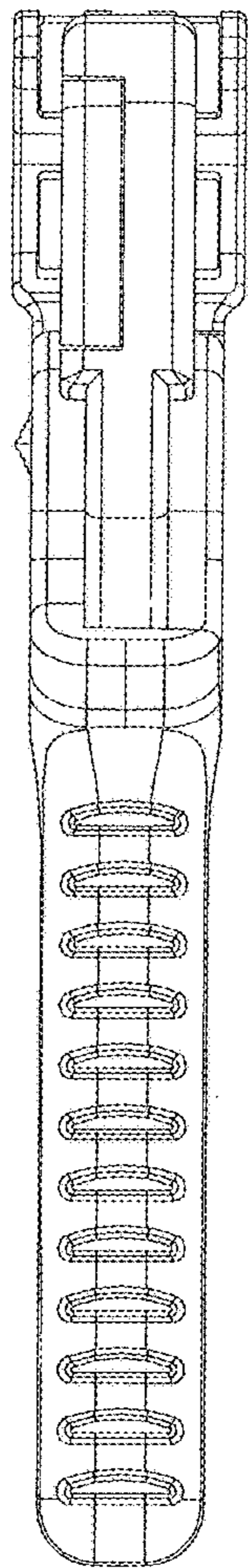


FIG. 7

