



US00D796283S

(12) **United States Design Patent** (10) **Patent No.:** **US D796,283 S**
Kiela, II et al. (45) **Date of Patent:** **** Sep. 5, 2017**

(54) **BOTTLE OPENER**
 (71) Applicant: **Curt G. Joa, Inc.**, Sheboygan Falls, WI (US)
 (72) Inventors: **Gene F. Kiela, II**, Plymouth, WI (US); **Mark Buckman**, Sheboygan Falls, WI (US); **James Schwartz**, Cascade, WI (US)
 (73) Assignee: **Curt G. Joa, Inc.**, Sheboygan Falls, WI (US)
 (**) Term: **15 Years**
 (21) Appl. No.: **29/563,250**

3,542,231 A * 11/1970 Wettermann B65D 41/185
 215/226
 3,583,263 A * 6/1971 Herigstad B67B 7/18
 81/124.1
 3,730,026 A * 5/1973 Matsumoto B67B 7/16
 7/901
 D232,415 S * 8/1974 Matsumoto 81/3.55
 4,414,865 A * 11/1983 Brooks B67B 7/18
 81/3.09
 4,433,597 A * 2/1984 Rowland B67B 7/16
 7/151
 D276,691 S * 12/1984 Nielsen D8/40
 4,507,988 A * 4/1985 LoFaso B67B 7/18
 81/3.09
 D287,456 S * 12/1986 Kobos D8/14
 4,760,763 A * 8/1988 Trick B67B 7/18
 81/3.09
 4,911,038 A * 3/1990 Ferrin B67B 7/44
 225/93

(22) Filed: **May 3, 2016**
 (51) **LOC (10) Cl.** **07-99**
 (52) **U.S. Cl.**
 USPC **D8/33**
 (58) **Field of Classification Search**
 USPC D8/14, 16, 18, 19, 33-43, 98, 88, 89,
 D8/107, 300, 301, 306-309, DIG. 10
 CPC B67B 7/00; B67B 7/04; B67B 7/14; B67B
 7/16; B67B 7/18; B67B 7/20; B67B 7/24;
 B67B 7/30; B67B 7/34; B67B 7/36;
 B67B 7/44
 See application file for complete search history.

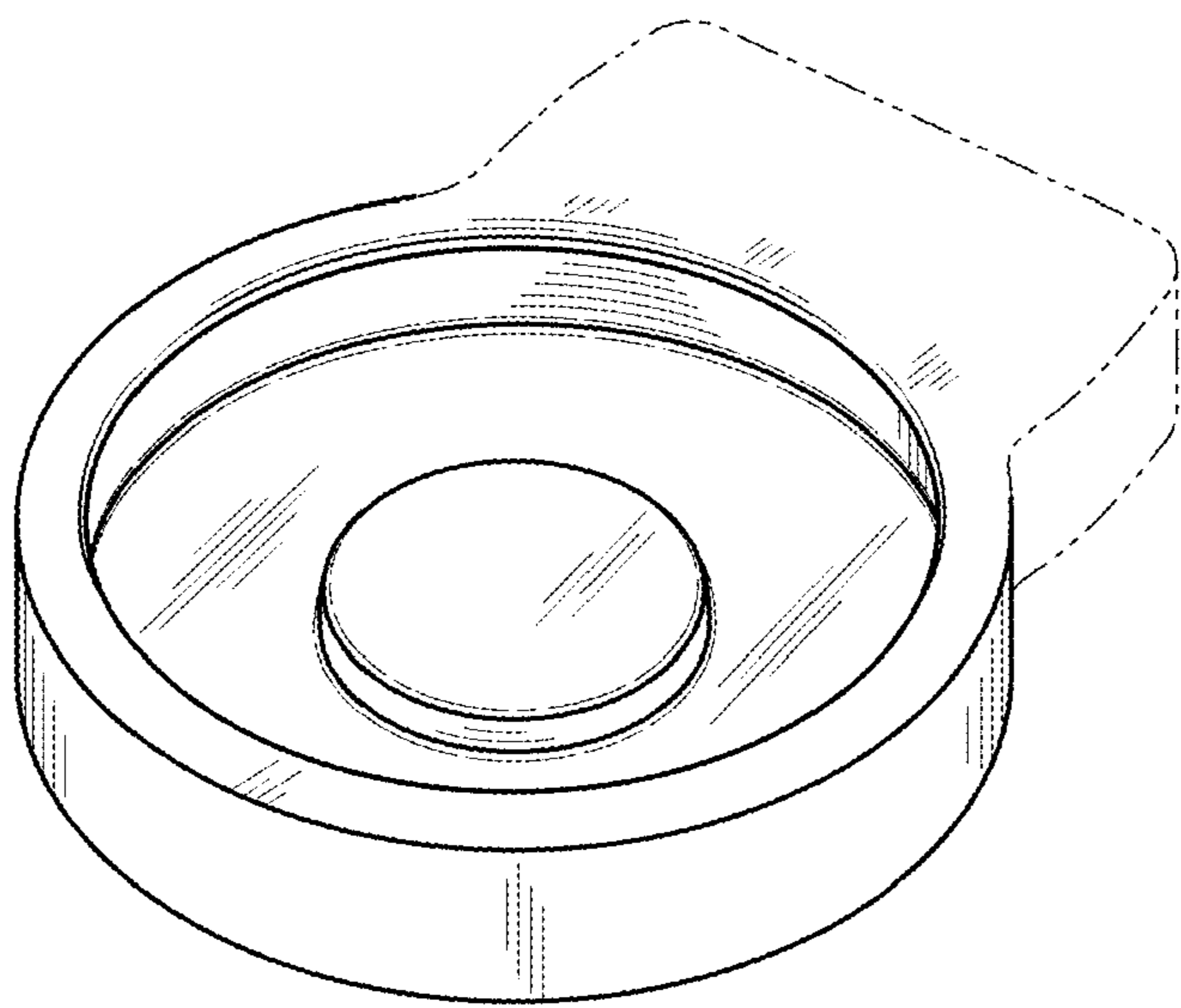
(Continued)
Primary Examiner — Elizabeth Albert
 (74) *Attorney, Agent, or Firm* — Ryan Kromholz & Manion, S.C.

(56) **References Cited**
 U.S. PATENT DOCUMENTS
 807,380 A * 12/1905 Hicks B65D 41/0485
 215/302
 1,366,045 A * 1/1921 White B67B 7/12
 81/3.47
 2,222,382 A * 11/1940 Truesdale B67B 7/16
 215/390
 3,235,123 A * 2/1966 Frankenberg B65D 17/18
 220/267

(57) **CLAIM**
 We claim the ornamental design for a bottle opener, as shown and described.

DESCRIPTION
 FIG. 1 is a top perspective view;
 FIG. 2 is a bottom perspective view;
 FIG. 3 is a top view;
 FIG. 4 is a bottom view;
 FIG. 5 is a left side view;
 FIG. 6 is a right side view;
 FIG. 7 is a front view;
 FIG. 8 is a front section view; and,
 FIG. 9 is a back view.
 The broken lines are included to show a portion of the bottle opener that forms no part of the claimed design.

1 Claim, 2 Drawing Sheets



(56)

References Cited

U.S. PATENT DOCUMENTS

D503,318 S * 3/2005 Rocco D8/14
8,596,167 B2 * 12/2013 Bartz B67B 7/18
81/3.4

* cited by examiner

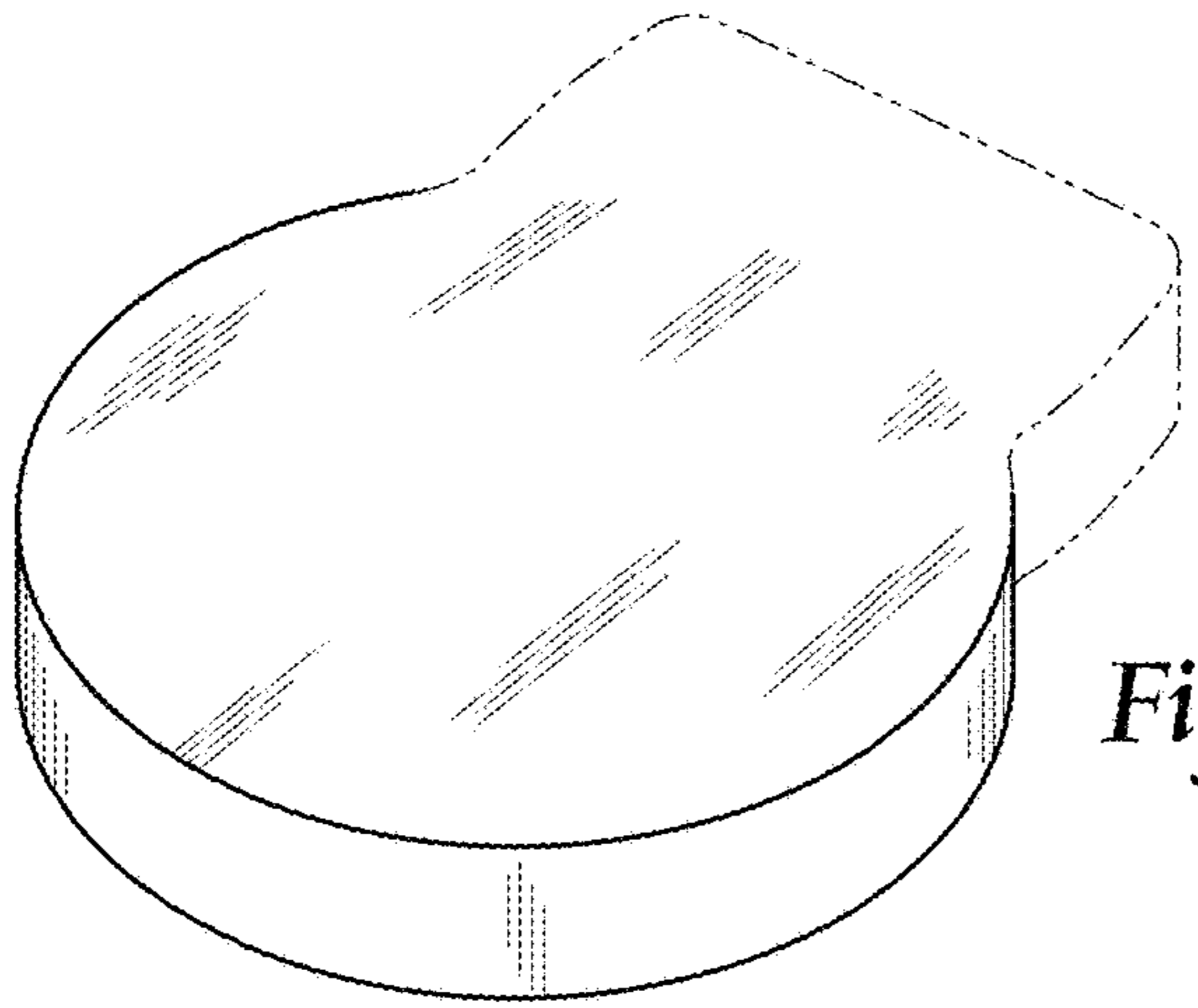


Fig. 1

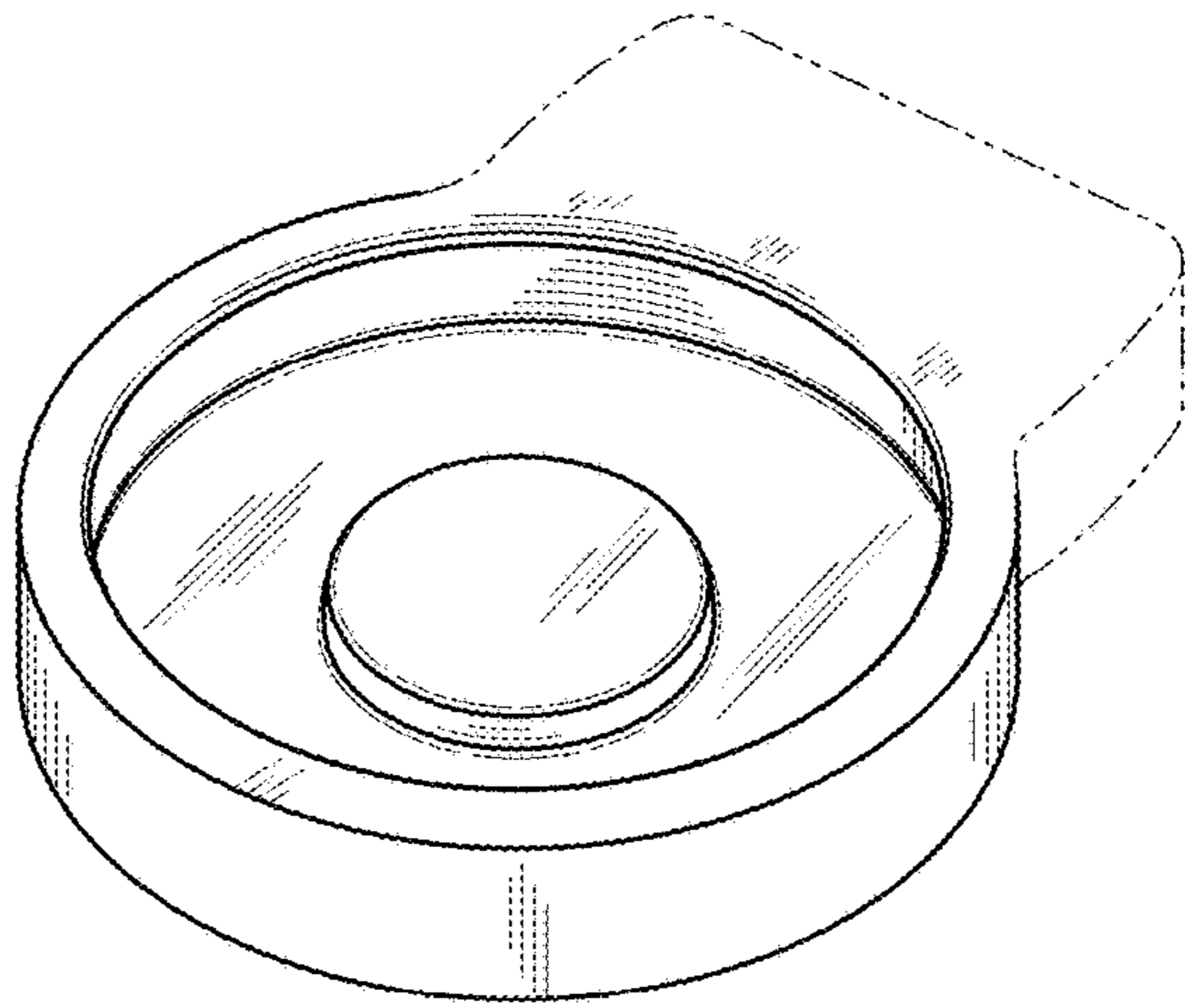


Fig. 2

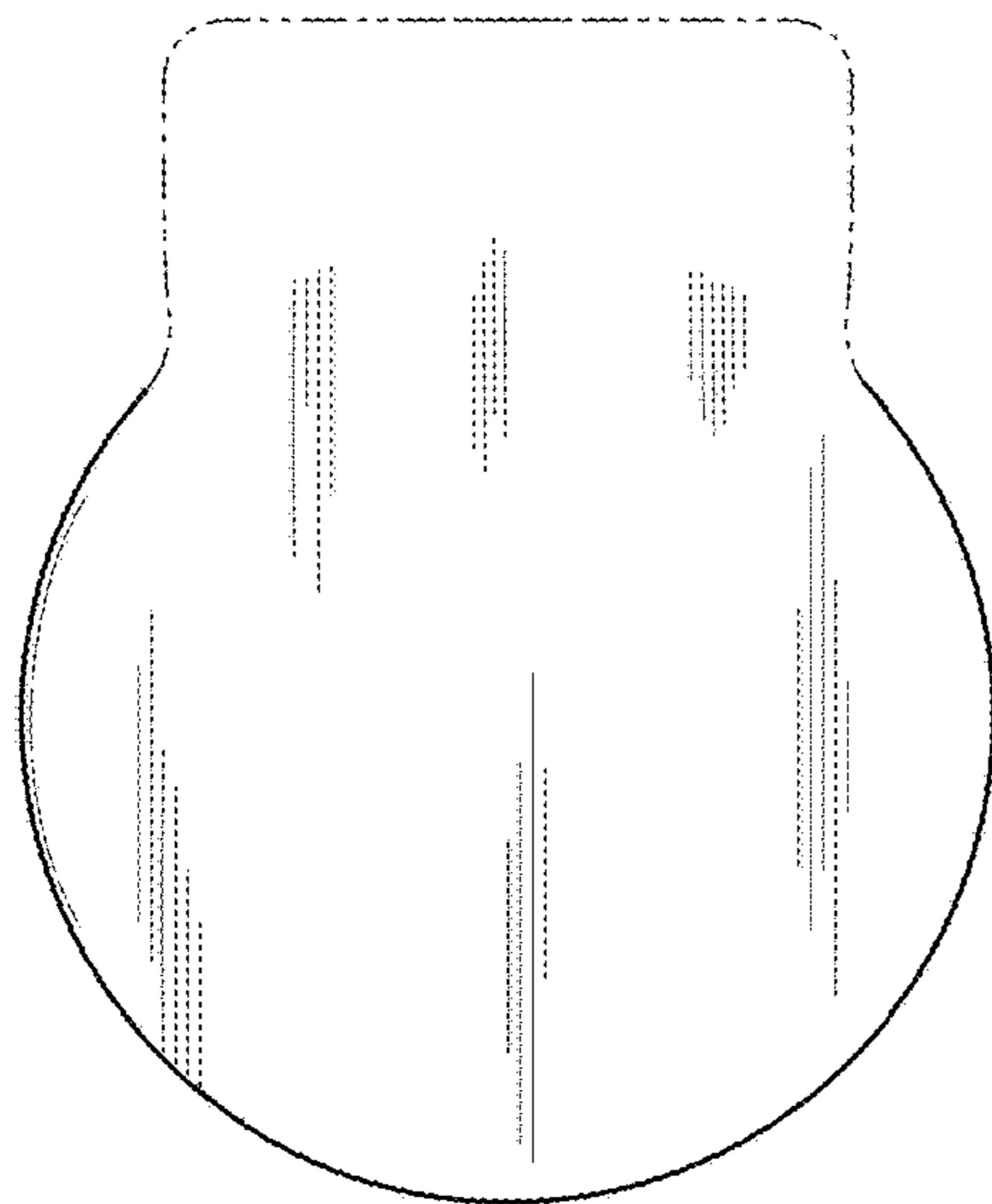


Fig. 3

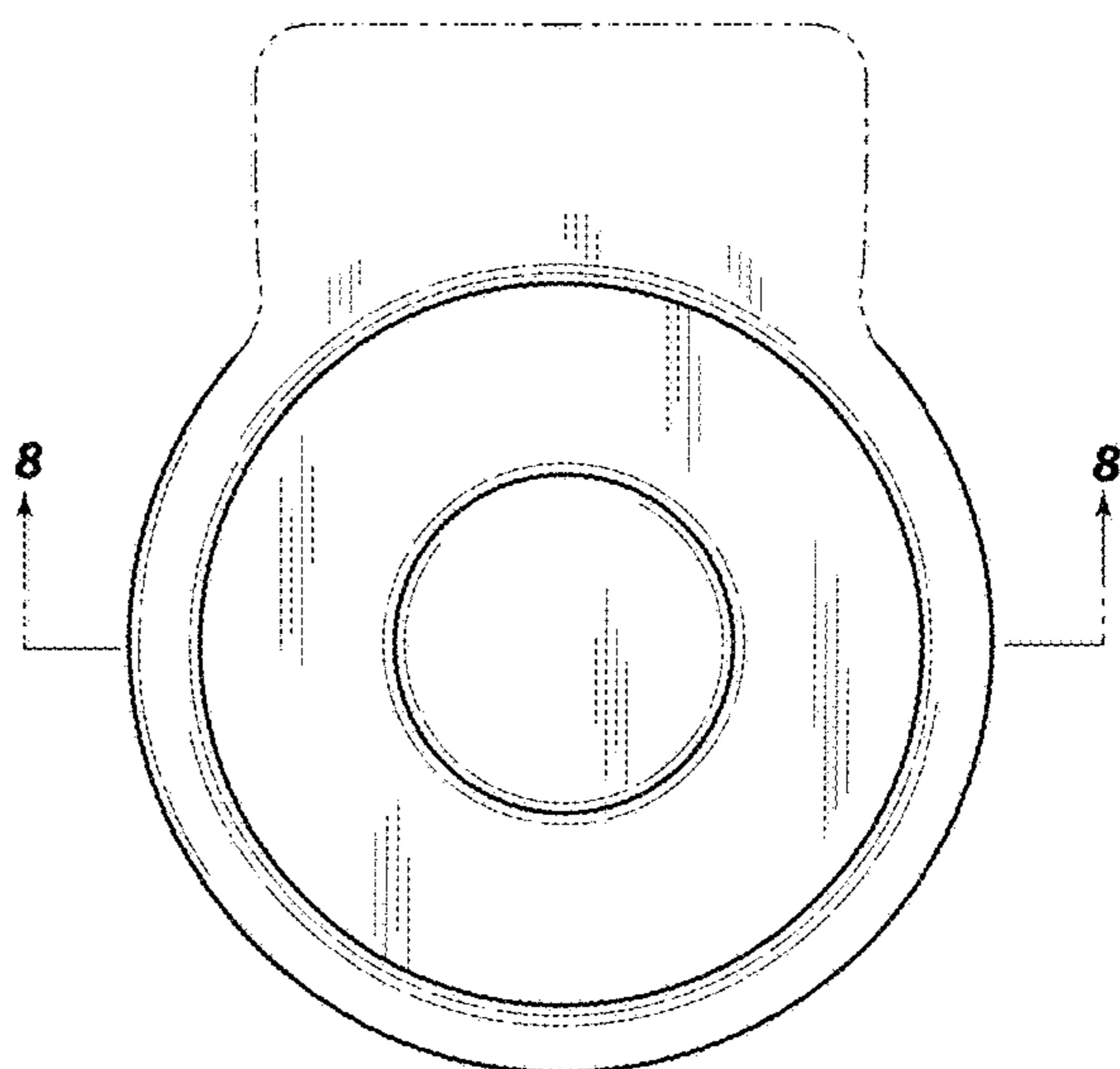


Fig. 4

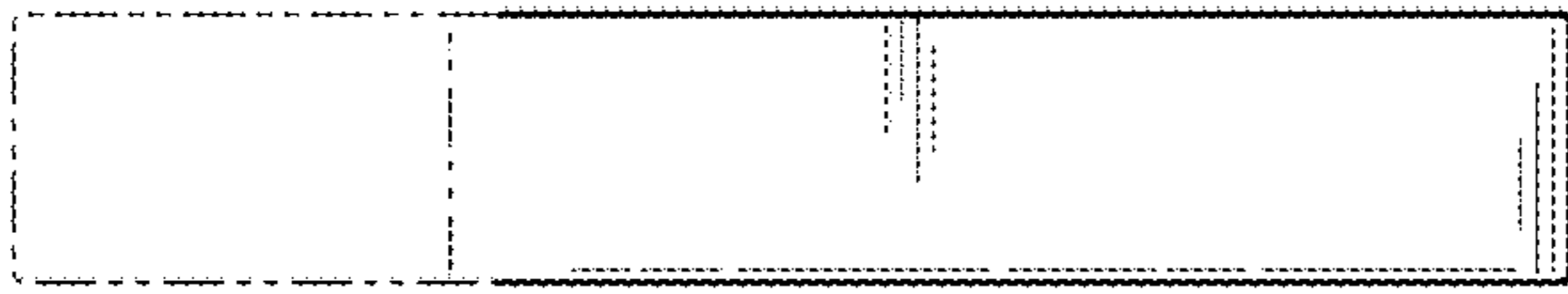


Fig. 5



Fig. 6



Fig. 7

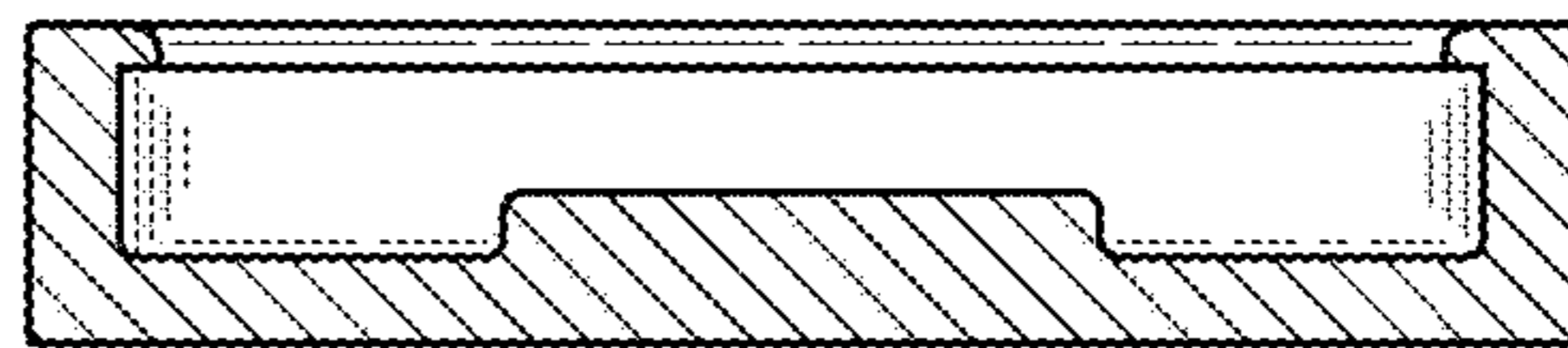


Fig. 8

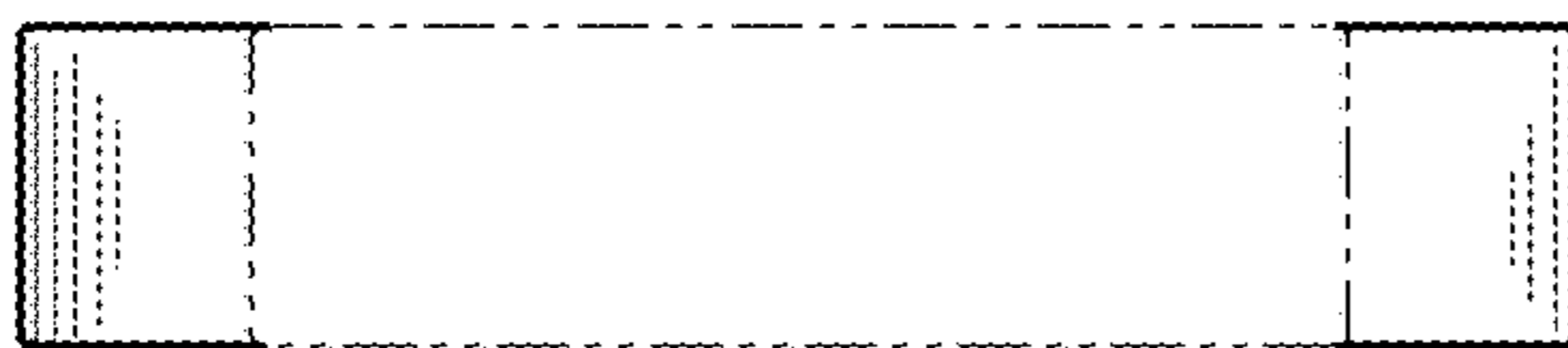


Fig. 9