

US00D796281S

(12) **United States Design Patent** (10) **Patent No.:** **US D796,281 S**
Downie (45) **Date of Patent:** **** Sep. 5, 2017**

(54) **OPENING TOOL FOR A FILTER**
(71) Applicant: **ADEY HOLDINGS (2008) LIMITED**,
Cheltenham, Gloucestershire (GB)
(72) Inventor: **Simon Downie**, Cheltenham (GB)
(73) Assignee: **ADEY HOLDINGS (2008) LIMITED**,
Cheltenham, Gloucestershire (GB)
(**) Term: **15 Years**
(21) Appl. No.: **35/501,026**
(22) Filed: **Mar. 14, 2016**
(80) **Hague Agreement Data**
Int. Filing Date: **Mar. 14, 2016**
Int. Reg. No.: **DM/090698**
Int. Reg. Date: **Mar. 14, 2016**
Int. Reg. Pub. Date: **Jun. 3, 2016**

(30) **Foreign Application Priority Data**
Jan. 7, 2016 (EM) 002937276-0004
(51) **LOC (10) Cl.** **08-05**
(52) **U.S. Cl.**
USPC **D8/21**
(58) **Field of Classification Search**
USPC D8/14, 17, 19, 21, 24, 27, 2; D23/238
CPC B25B 27/0042; B25B 13/50; B25B 13/00;
B25B 13/18; B25B 13/463; B25B
13/5016; B25B 13/505
See application file for complete search history.

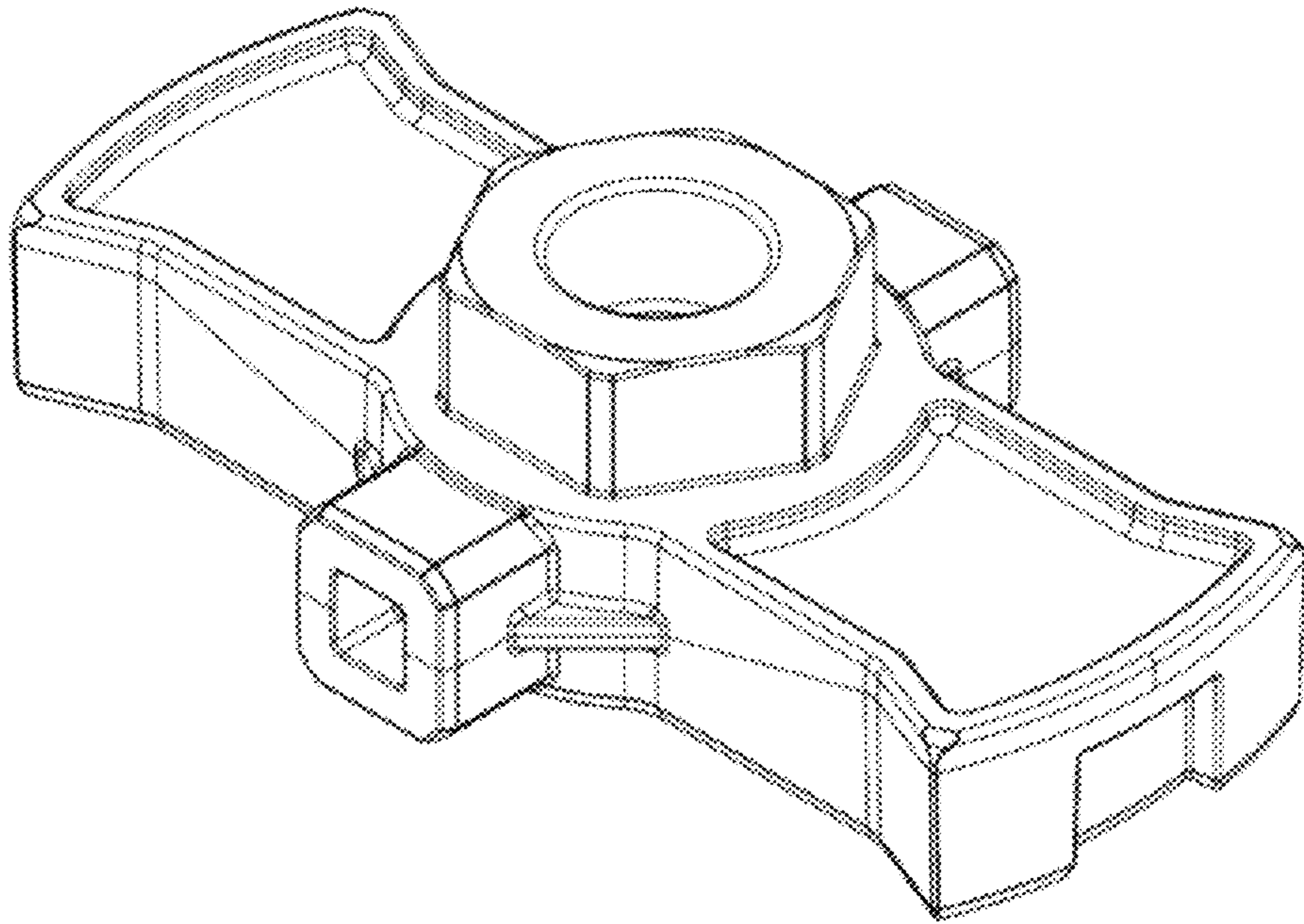
(56) **References Cited**
U.S. PATENT DOCUMENTS
5,392,672 A * 2/1995 Larson B25B 13/461
81/58.4
7,024,968 B2 * 4/2006 Raudabough A61M 5/347
81/121.1
D544,321 S * 6/2007 Wyss D8/14
D580,730 S * 11/2008 Gao D8/107
D603,235 S * 11/2009 Ruzicka D8/28
8,434,390 B2 * 5/2013 Cross B23G 1/265
81/60
D760,565 S * 7/2016 Tempelmeier D8/21
2013/0081518 A1 * 4/2013 Scheid B23B 47/00
81/58.2

* cited by examiner
Primary Examiner — Michael A Pratt
(74) *Attorney, Agent, or Firm* — Shumaker, Loop &
Kendrick, LLP; Michael E. Dockins

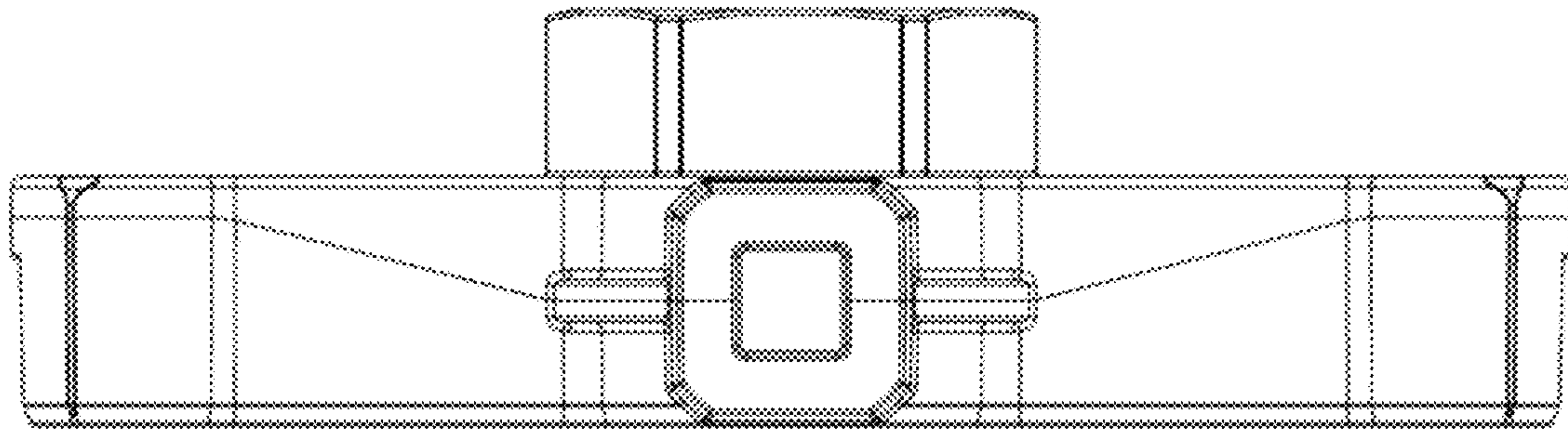
(57) **CLAIM**
The ornamental design for an opening tool for a filter, as
shown and described.

DESCRIPTION
1. Opening tool for a filter
1.1 : Front
1.2 : Bottom
1.3 : Perspective
1.4 : Top
1.5 : Right
1.6 : Perspective

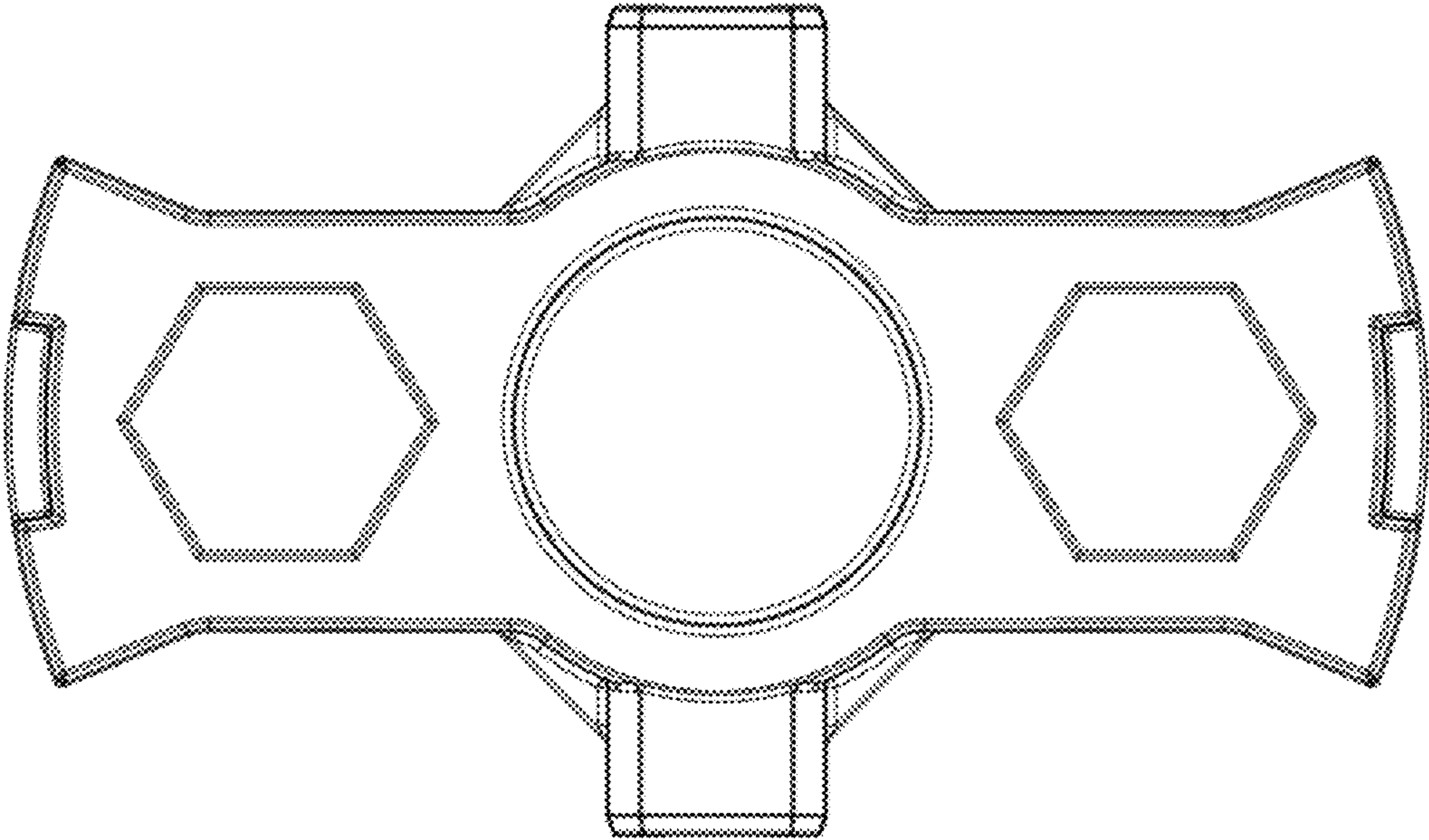
1 Claim, 6 Drawing Sheets



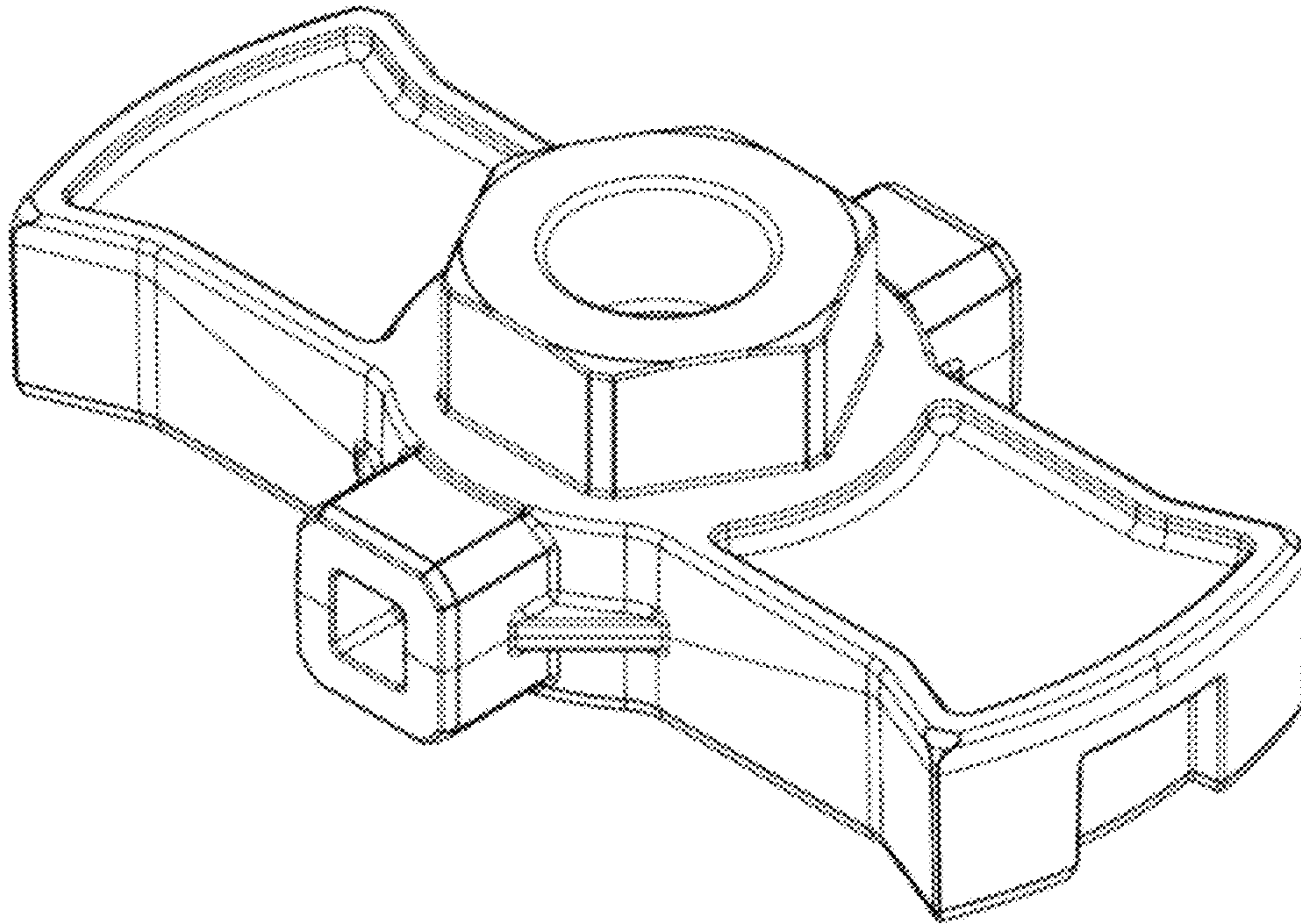
1.1



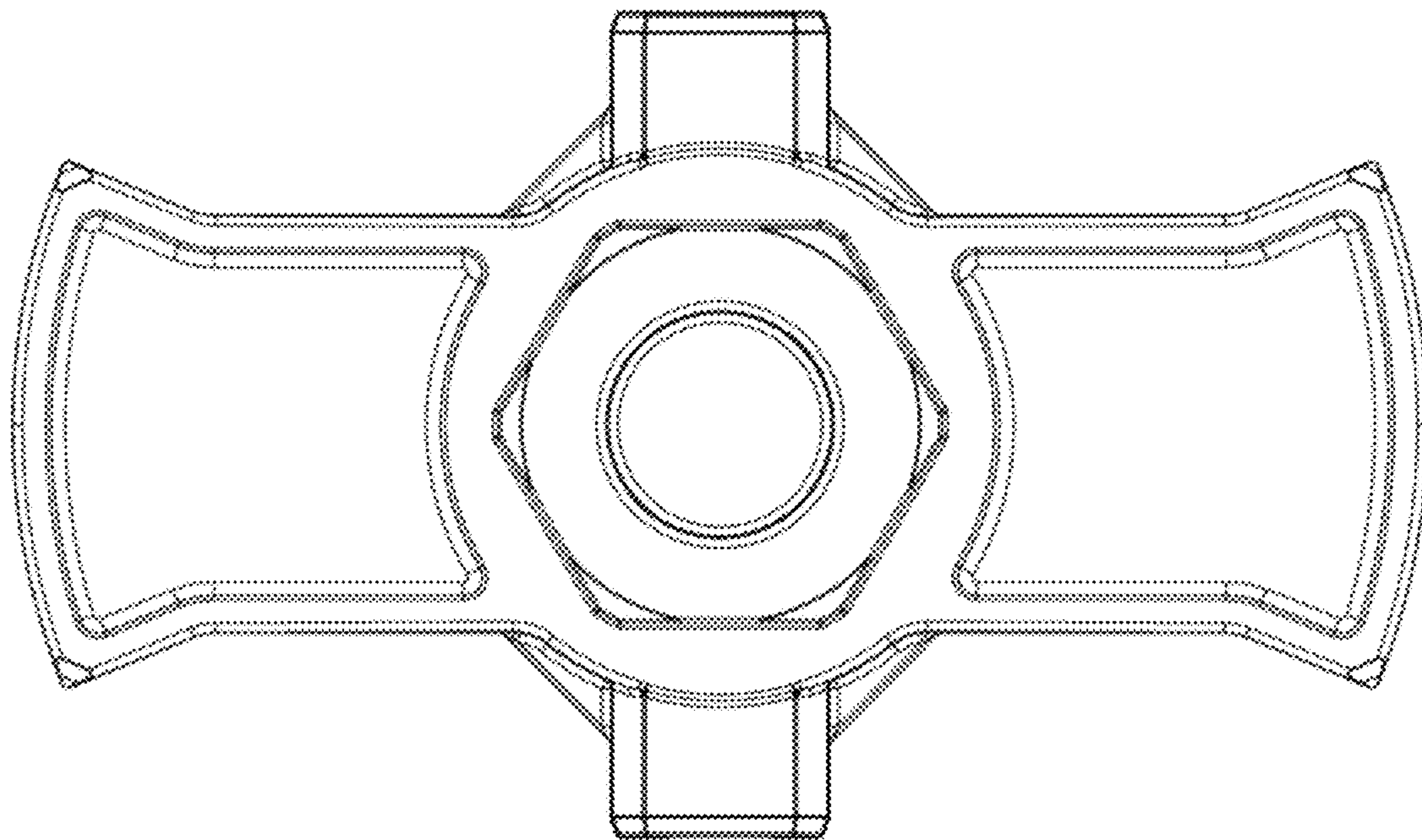
1.2



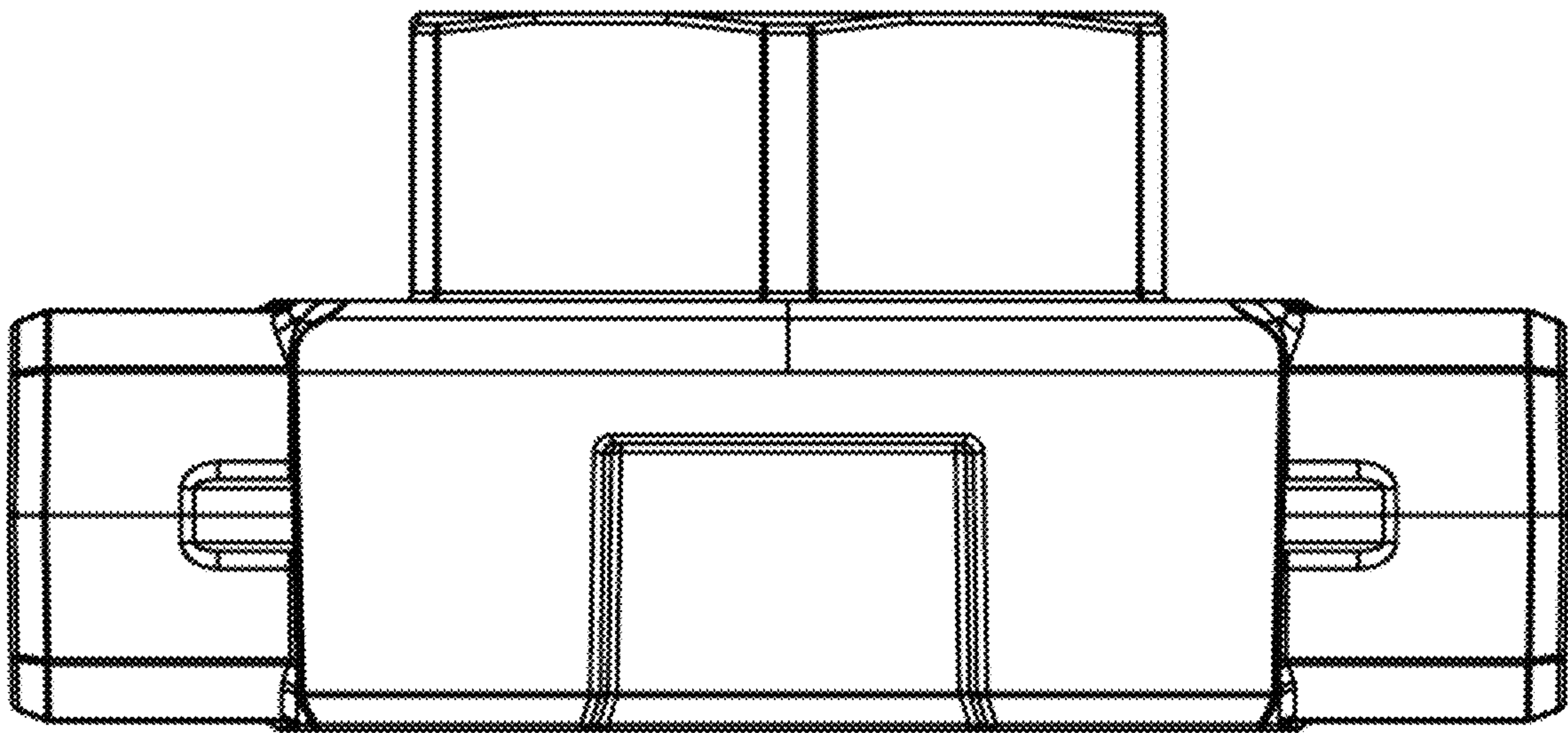
1.3



1.4



1.5



1.6

