



US00D796280S

(12) **United States Design Patent**
Godoy et al.

(10) **Patent No.:** **US D796,280 S**
(45) **Date of Patent:** **** Sep. 5, 2017**

- (54) **AUDIO PLUG WRENCH**
- (71) Applicants: **Arthur Alexander Godoy**, Surrey (CA); **Stephen Andrew Godoy**, Longbeach, CA (US)
- (72) Inventors: **Arthur Alexander Godoy**, Surrey (CA); **Stephen Andrew Godoy**, Longbeach, CA (US)
- (**) Term: **15 Years**
- (21) Appl. No.: **29/546,922**
- (22) Filed: **Nov. 27, 2015**
- (51) **LOC (10) Cl.** **08-05**
- (52) **U.S. Cl.**
USPC **D8/21**
- (58) **Field of Classification Search**
USPC D8/17, 21-29, 52, 55, 81-87, 102-107, D8/98, 99, 93, 94; 81/119, 121.1, 86, 81/124.2, 125, 125.1, 176.1, 176.2, 177.1, 81/177.2, 177.3, 177.85, 124.3, 124.7, 81/176.3, 179, 160, 3.57, 3.55, 58.4, 186, 81/58.3, 300, 58.1, 60-63.2, 165-170, 81/110.1, 124.6, 176.15, 121.7, 436, 437, 81/177.8, 177.9, 185.1, 3.4, 177.4, 492, 81/57, 58, 13, 177.7, 490, 415-423, 81/427.5, 467; 140/119; 16/422, 186, 16/429, 430; D24/133, 144, 147
CPC B25B 1/00
See application file for complete search history.

- 6,817,272 B2 * 11/2004 Holland H01R 43/26 439/304
- 7,299,725 B2 * 11/2007 Helstern F16B 35/06 81/468
- 7,460,846 B2 * 12/2008 Maalismaa H04B 1/3805 455/168.1

(Continued)

Primary Examiner — Randall Gholson
(74) *Attorney, Agent, or Firm* — Palmer IP Inc.

(57) **CLAIM**

The ornamental design for a audio plug wrench, as shown and described herein.

DESCRIPTION

FIG. 1 is a front perspective view of the audio plug wrench according to an embodiment of the present disclosure.

FIG. 2 is a rear perspective view of the audio plug wrench shown in FIG. 1.

FIG. 3 is a side elevation view of the audio plug wrench shown in FIG. 1.

FIG. 4 is a top view of the audio plug wrench shown in FIG. 1.

FIG. 5 is a front elevation view of the audio plug wrench shown in FIG. 1.

FIG. 6 is a rear elevation view of the audio plug wrench shown in FIG. 1.

FIG. 7 is a front perspective view of a first variant of the audio plug wrench according to an embodiment of the present disclosure.

FIG. 8 is a side elevation view of a first variant of the audio plug wrench shown in FIG. 7.

FIG. 9 is a front perspective view of a second variant of the audio plug wrench according to an embodiment of the present disclosure; and,

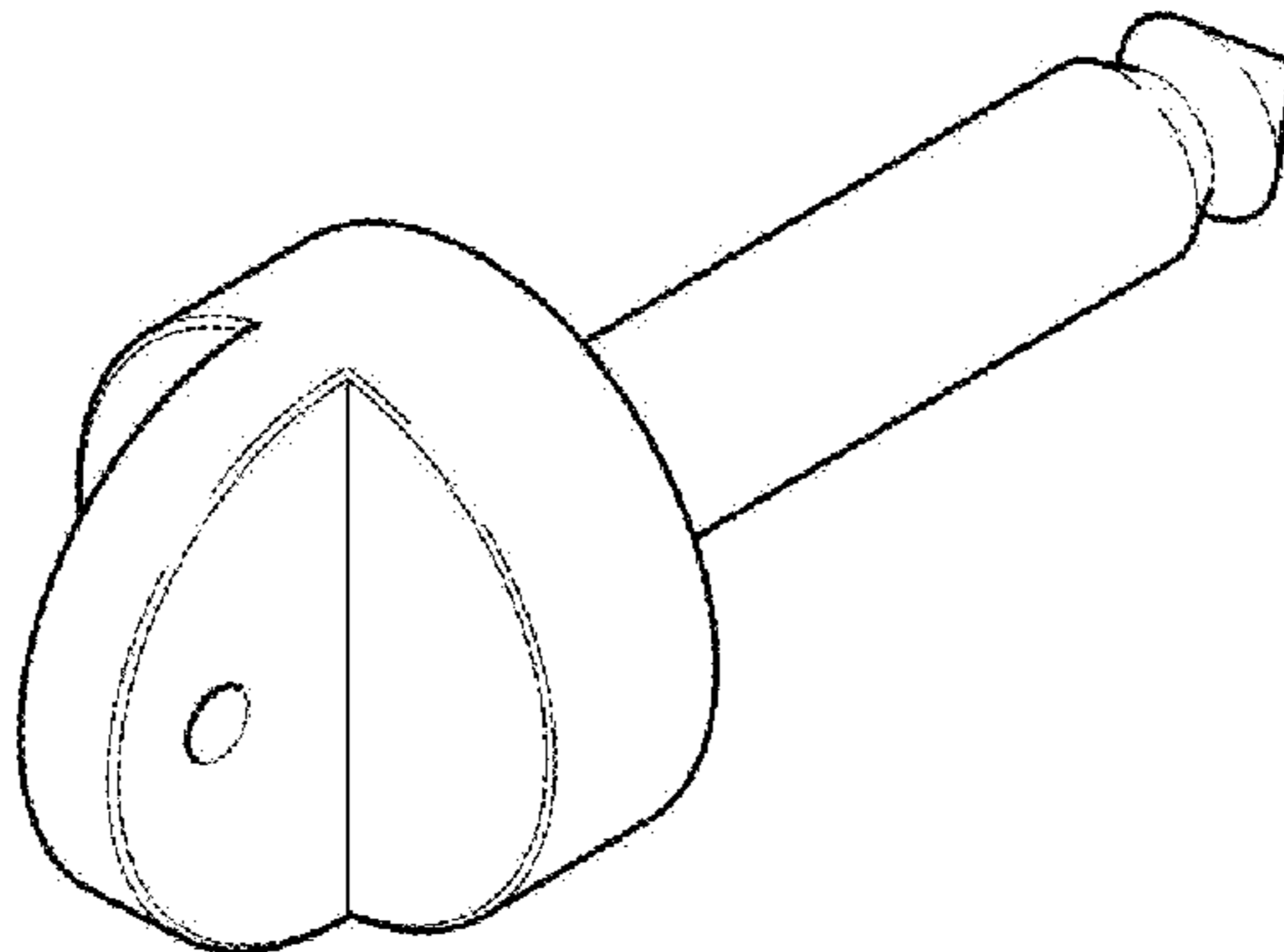
FIG. 10 is a front perspective view of a third variant of the audio plug wrench according to an embodiment of the present disclosure.

(56) **References Cited**

U.S. PATENT DOCUMENTS

- 4,750,750 A * 6/1988 Batalorf, Jr. B25B 21/007 279/144
- 5,454,746 A * 10/1995 Guegan A63H 3/003 446/268
- 6,548,986 B1 * 4/2003 Jakubowski G06F 1/263 320/111

1 Claim, 10 Drawing Sheets



(56)

References Cited

U.S. PATENT DOCUMENTS

7,475,619 B2 * 1/2009 Chiu B25B 23/1427
81/467
D631,309 S * 1/2011 Patti D8/21
7,902,709 B2 * 3/2011 Niguchi H02K 1/2733
310/156.47
8,366,481 B2 * 2/2013 Ehret H01R 9/05
439/578
8,528,450 B2 * 9/2013 Lan B25B 13/483
81/125
8,857,300 B2 * 10/2014 Lai B25B 13/56
403/322.2
9,466,277 B1 * 10/2016 Myers G10H 3/14

* cited by examiner

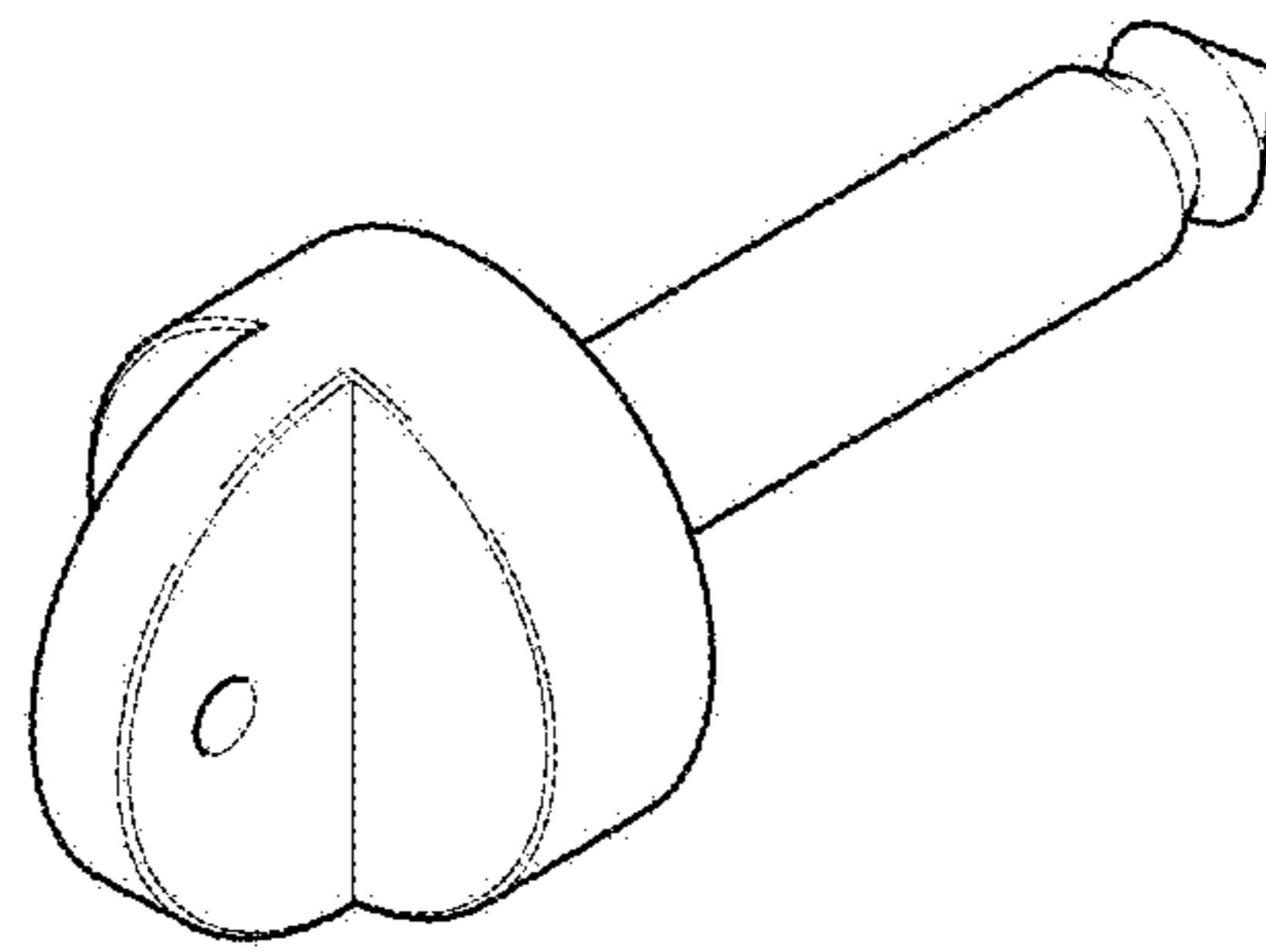


FIG. 1

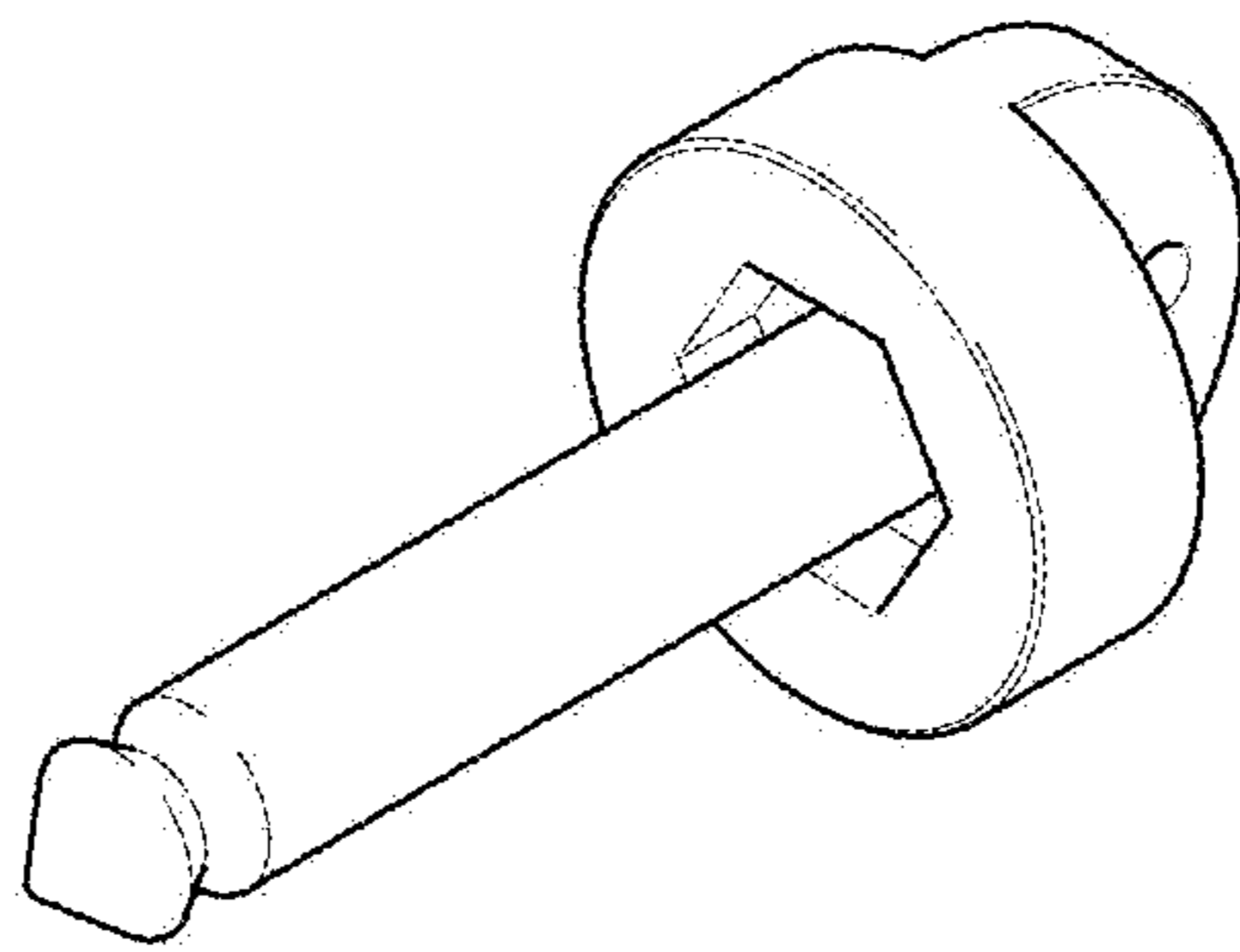


FIG. 2

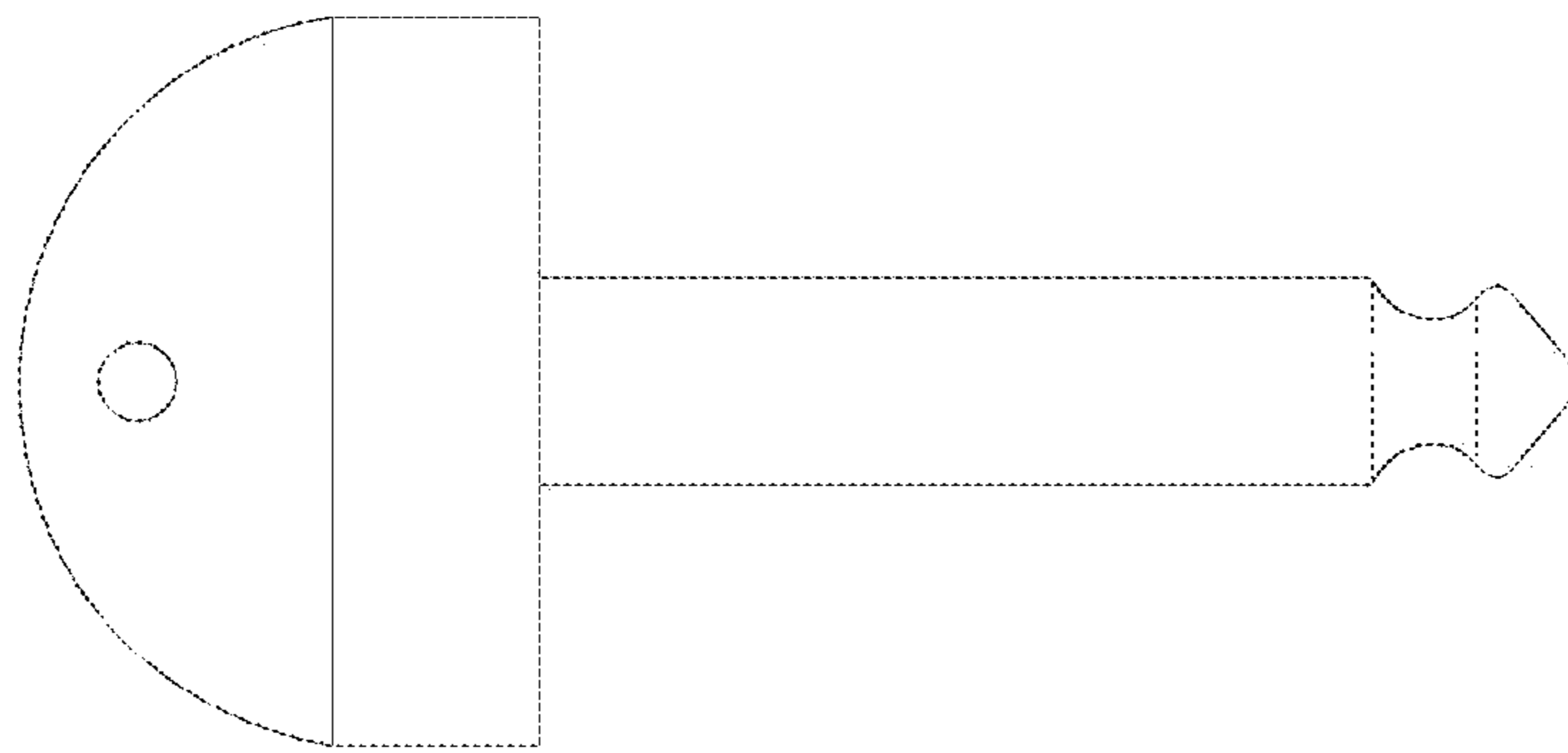


FIG. 3

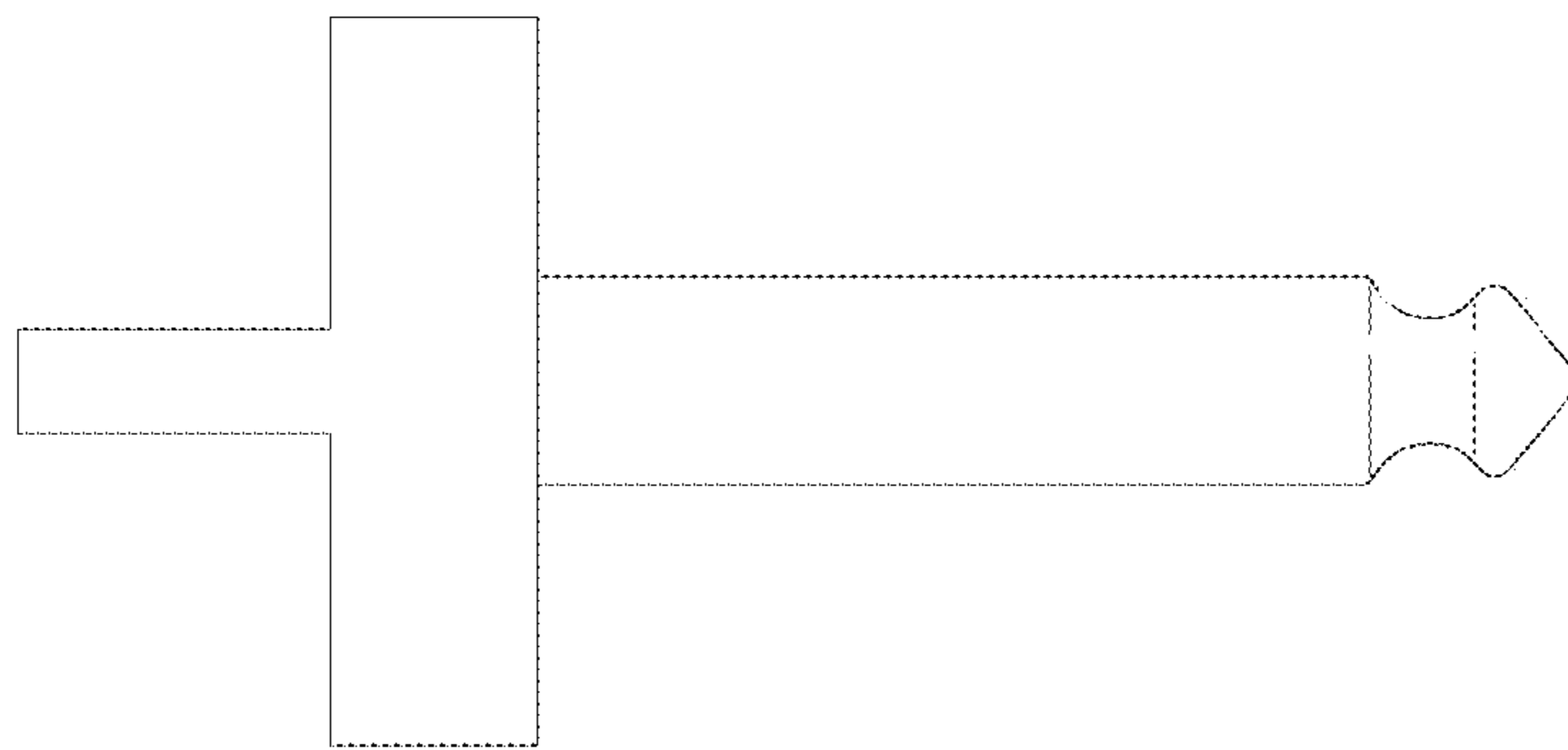


FIG. 4

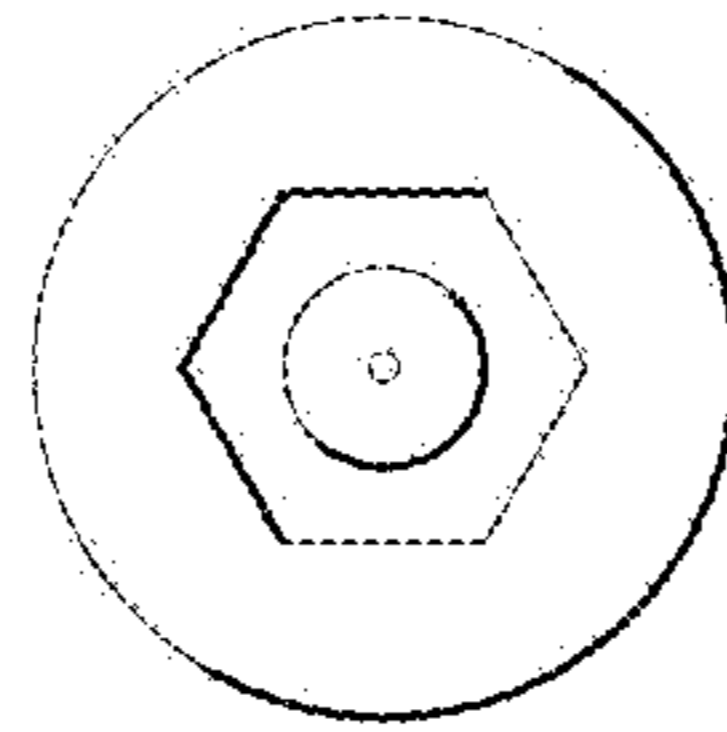


FIG. 5

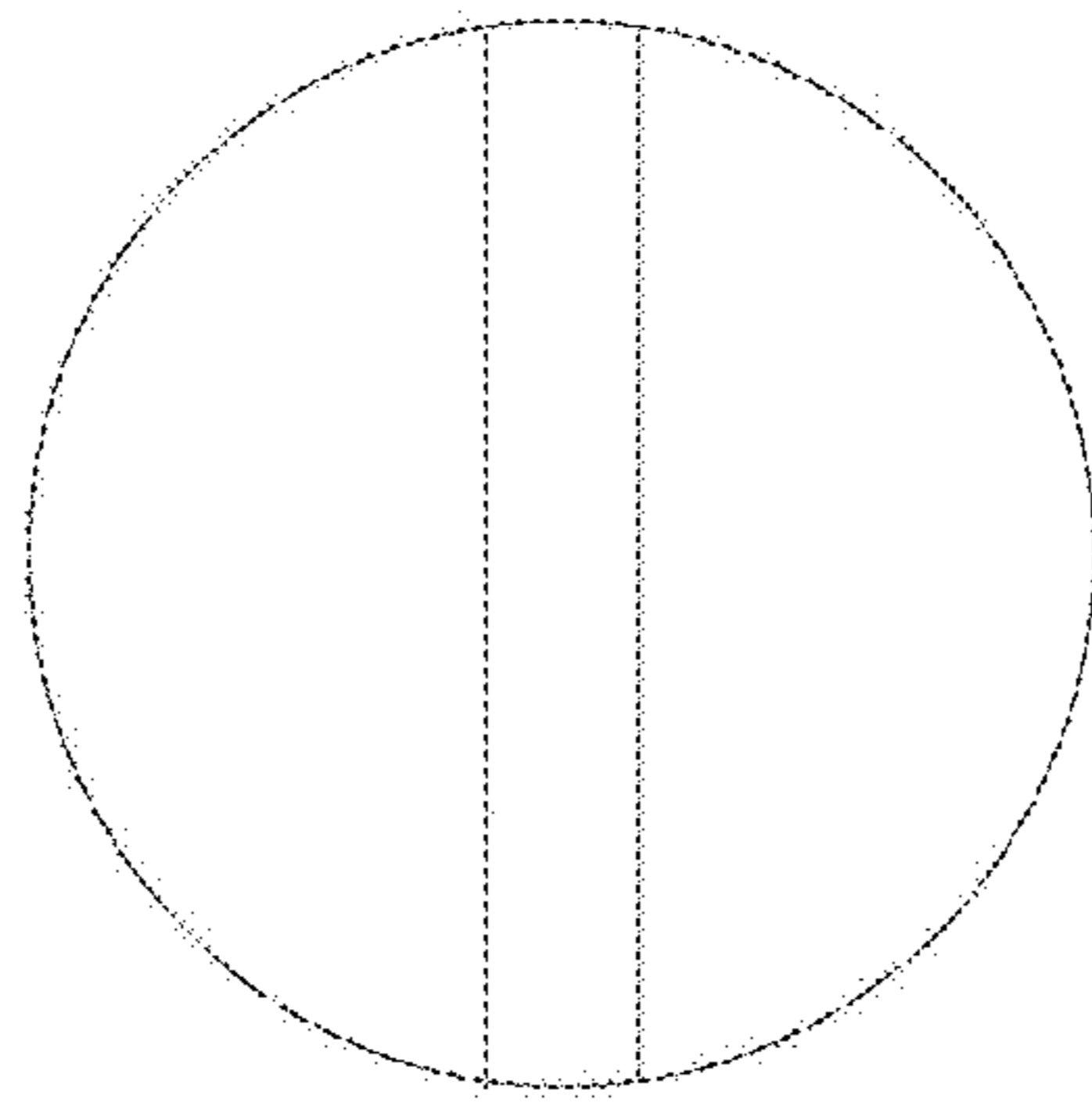


FIG. 6

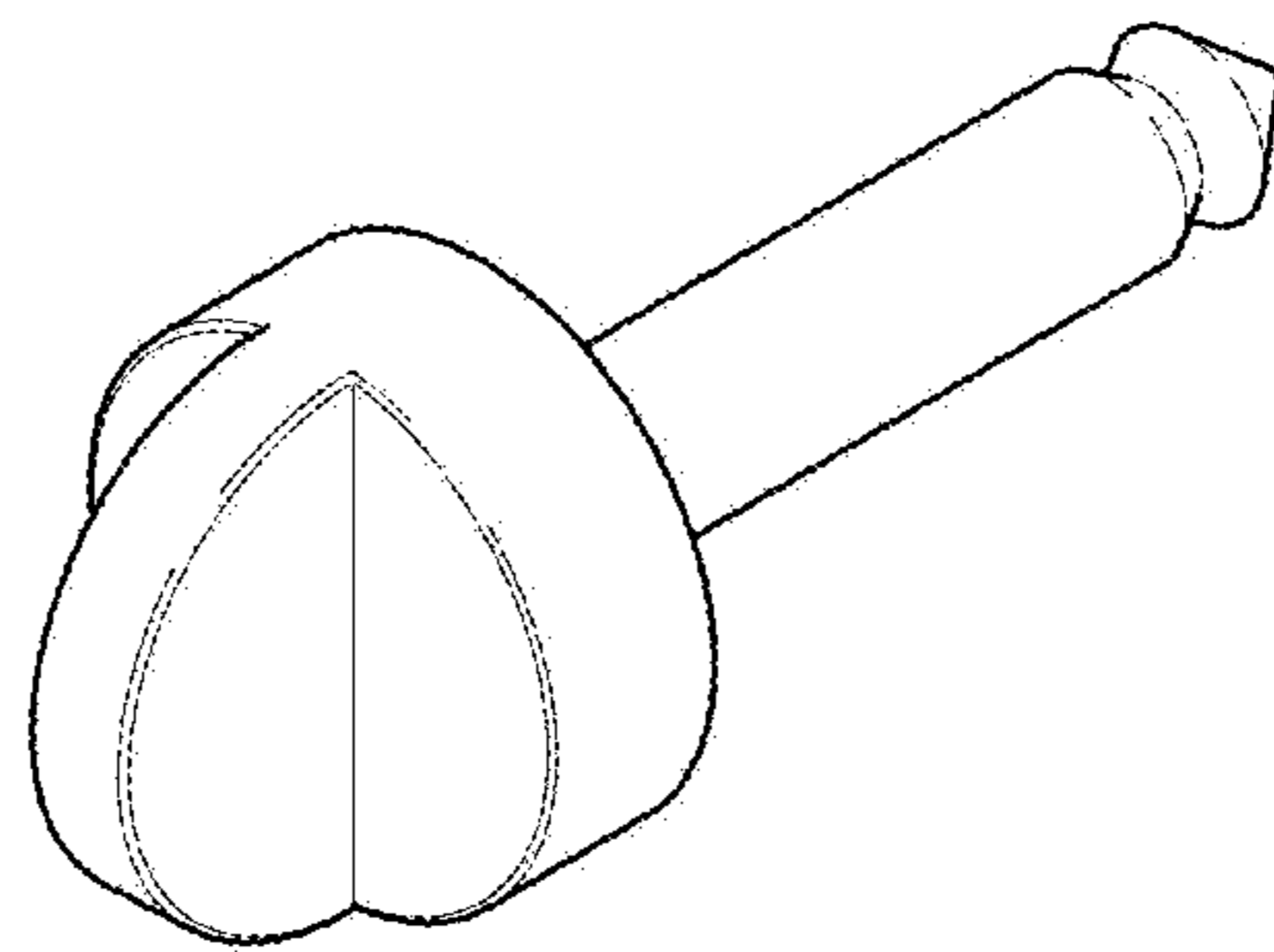


FIG. 7

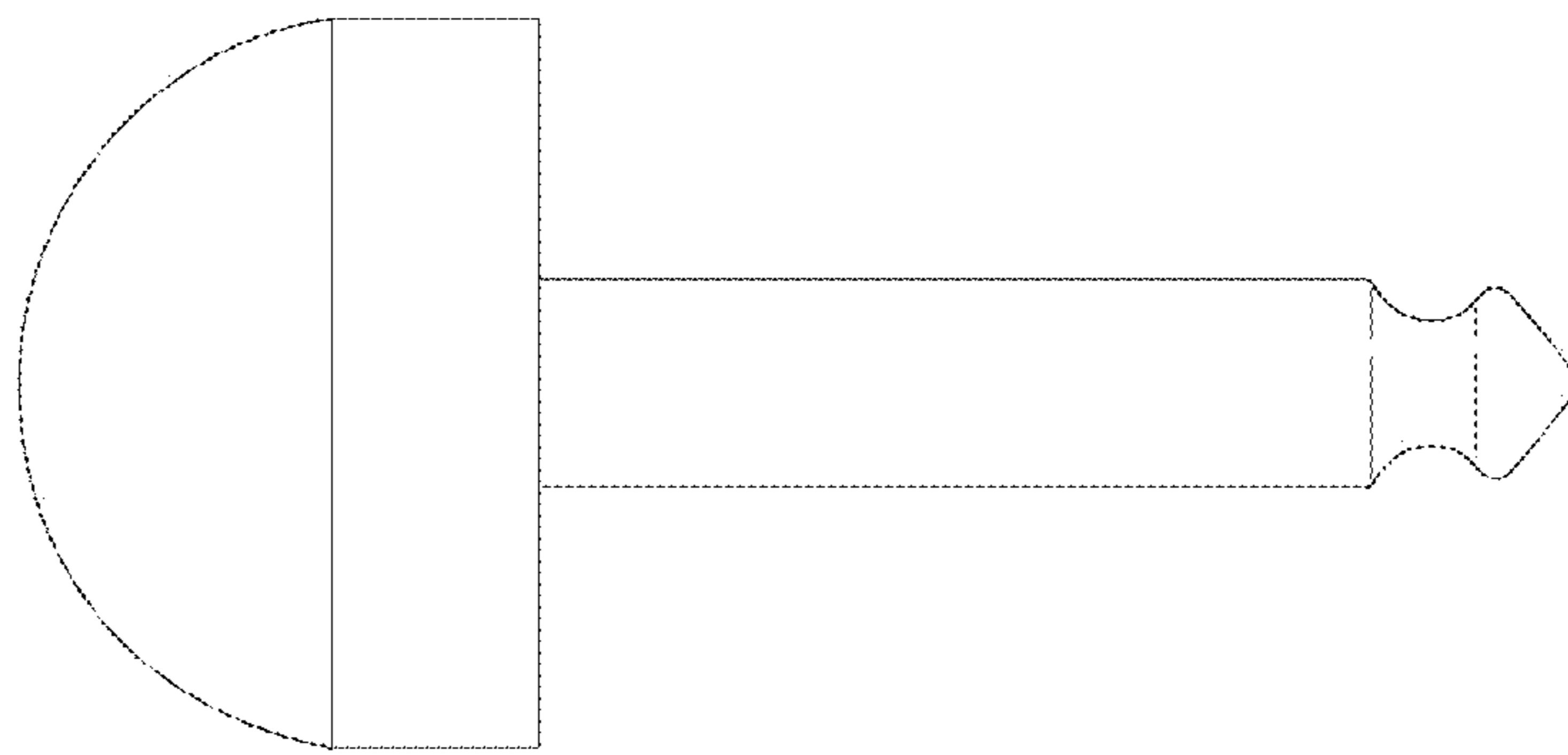


FIG. 8

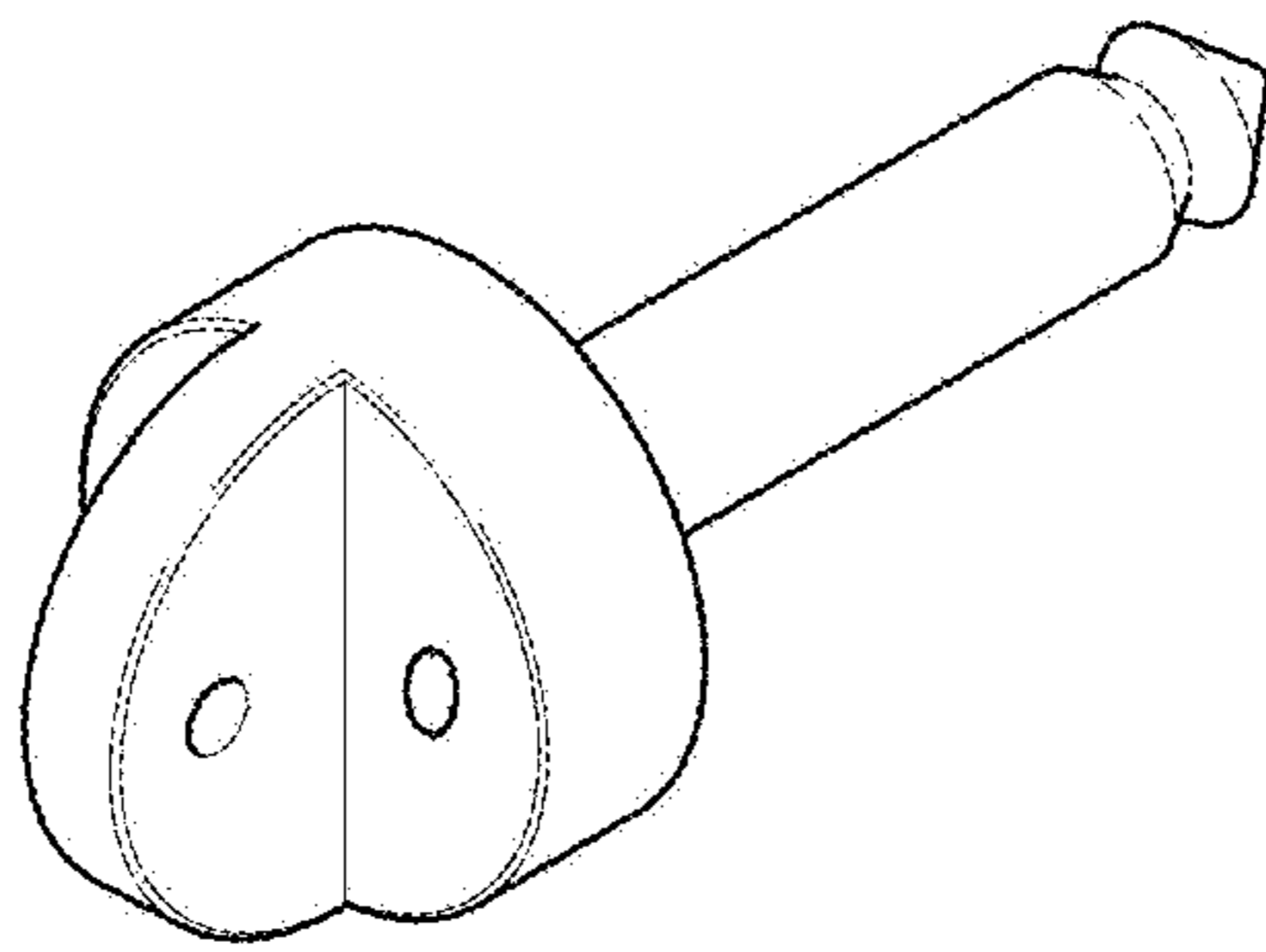


FIG. 9

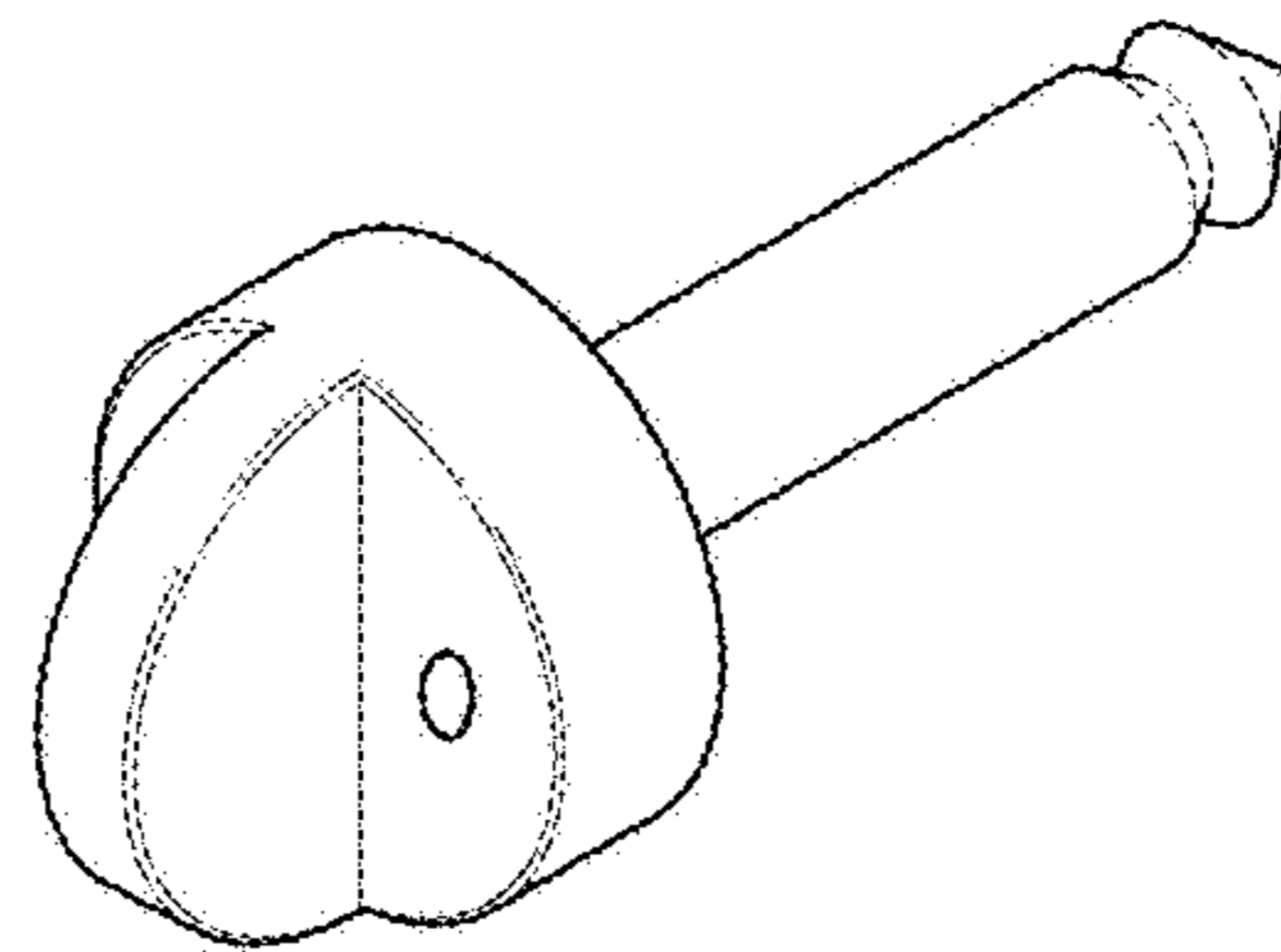


FIG. 10