



US00D796279S

(12) **United States Design Patent**
Barina

(10) **Patent No.:** **US D796,279 S**

(45) **Date of Patent:** **** Sep. 5, 2017**

- (54) **TREE TRUNK SHIELD**
- (71) Applicant: **Sherrill Barina**, Rockwall, TX (US)
- (72) Inventor: **Sherrill Barina**, Rockwall, TX (US)
- (**) Term: **15 Years**
- (21) Appl. No.: **29/558,216**
- (22) Filed: **Mar. 16, 2016**
- (51) **LOC (10) Cl.** **08-01**
- (52) **U.S. Cl.**
USPC **D8/1**
- (58) **Field of Classification Search**
USPC D8/1; D99/34; D11/148; D4/199
CPC A01G 13/10; A01G 13/02; A01G 13/00;
A01G 13/0237; A01G 13/0243; B65D
85/58

See application file for complete search history.

(56) **References Cited**

U.S. PATENT DOCUMENTS

- 316,262 A 4/1885 Hatmakeb
- 404,757 A 6/1889 Webber
- 469,552 A * 2/1892 Evens A01G 13/0243
47/32.4
- 561,391 A * 6/1896 Greene A01G 13/0243
43/132.1
- 574,998 A * 1/1897 Kent A01G 13/0243
47/32.4
- 610,727 A * 9/1898 Schlemmer G07D 9/004
206/0.82
- 933,654 A * 9/1909 Lippincott A01G 13/0243
47/32.4
- 1,075,255 A * 10/1913 Helm A01G 13/0243
47/32.4
- 1,875,533 A * 9/1932 Weaver A01G 13/0243
47/32.4
- 1,879,813 A * 9/1932 Molitor A01G 13/0243
47/32.4
- D162,243 S * 2/1951 Simmons 47/32.4

- 2,798,784 A * 7/1957 Marshall A47J 47/14
220/4.22
- D226,279 S * 2/1973 Eyerly 47/73
- 4,240,544 A * 12/1980 Barnhart A45C 11/26
206/0.82
- D273,403 S * 4/1984 DeLuca D21/392
- 4,541,528 A * 9/1985 Holmes B65D 85/58
206/0.82
- 4,591,201 A * 5/1986 Antonelli A45F 5/00
294/137
- 4,715,492 A * 12/1987 Holmes B65D 85/58
206/0.82
- D298,998 S * 12/1988 Hurlstone D8/1
- 4,845,889 A 7/1989 Taylor
- 5,044,815 A * 9/1991 Wright E01F 15/141
285/364
- 5,048,229 A * 9/1991 Campbell A01G 13/0237
47/32.4
- 5,323,566 A * 6/1994 Mills A01G 13/10
47/30

(Continued)

FOREIGN PATENT DOCUMENTS

CA 2150726 12/1995

Primary Examiner — Sheryl Lane

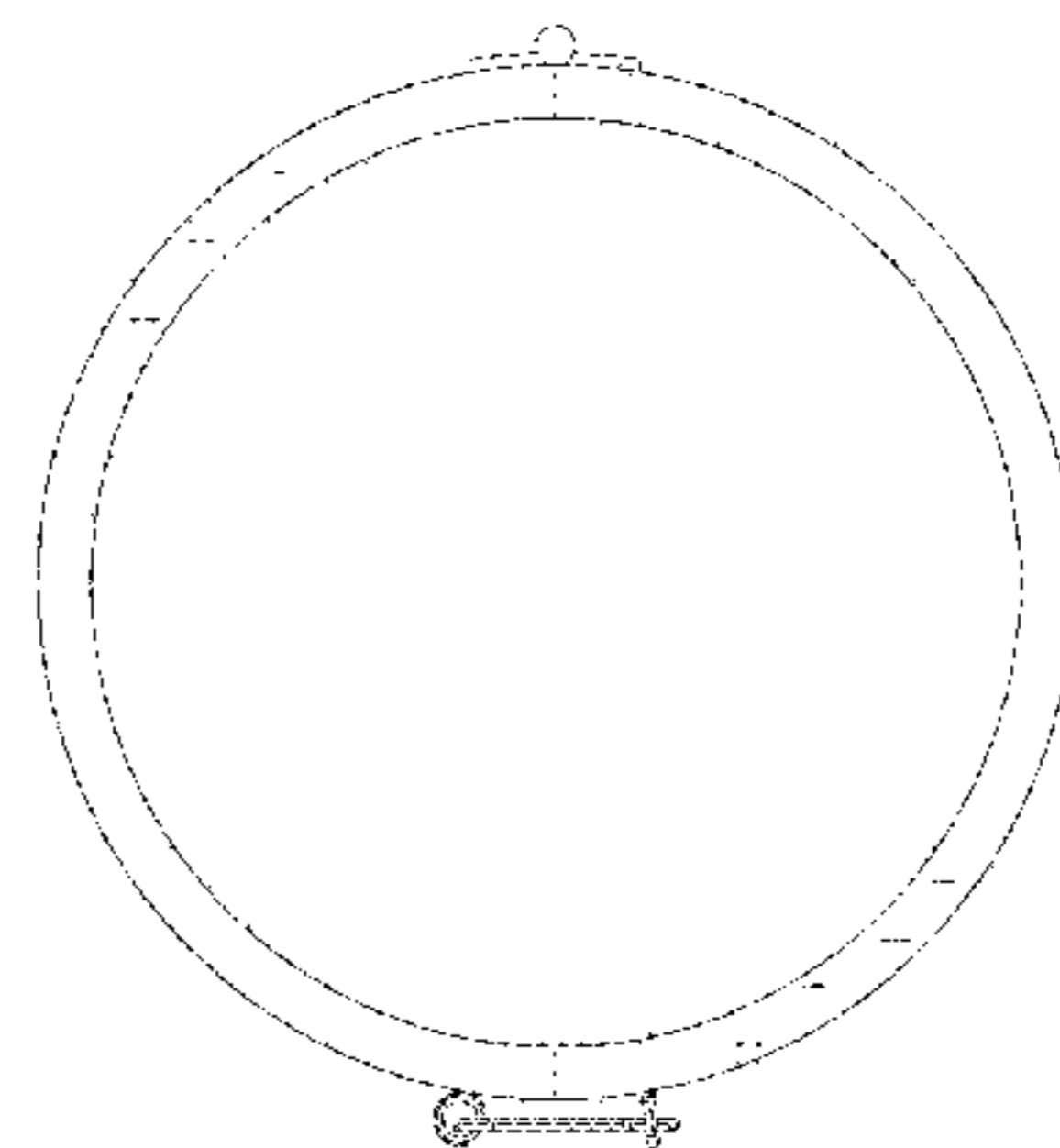
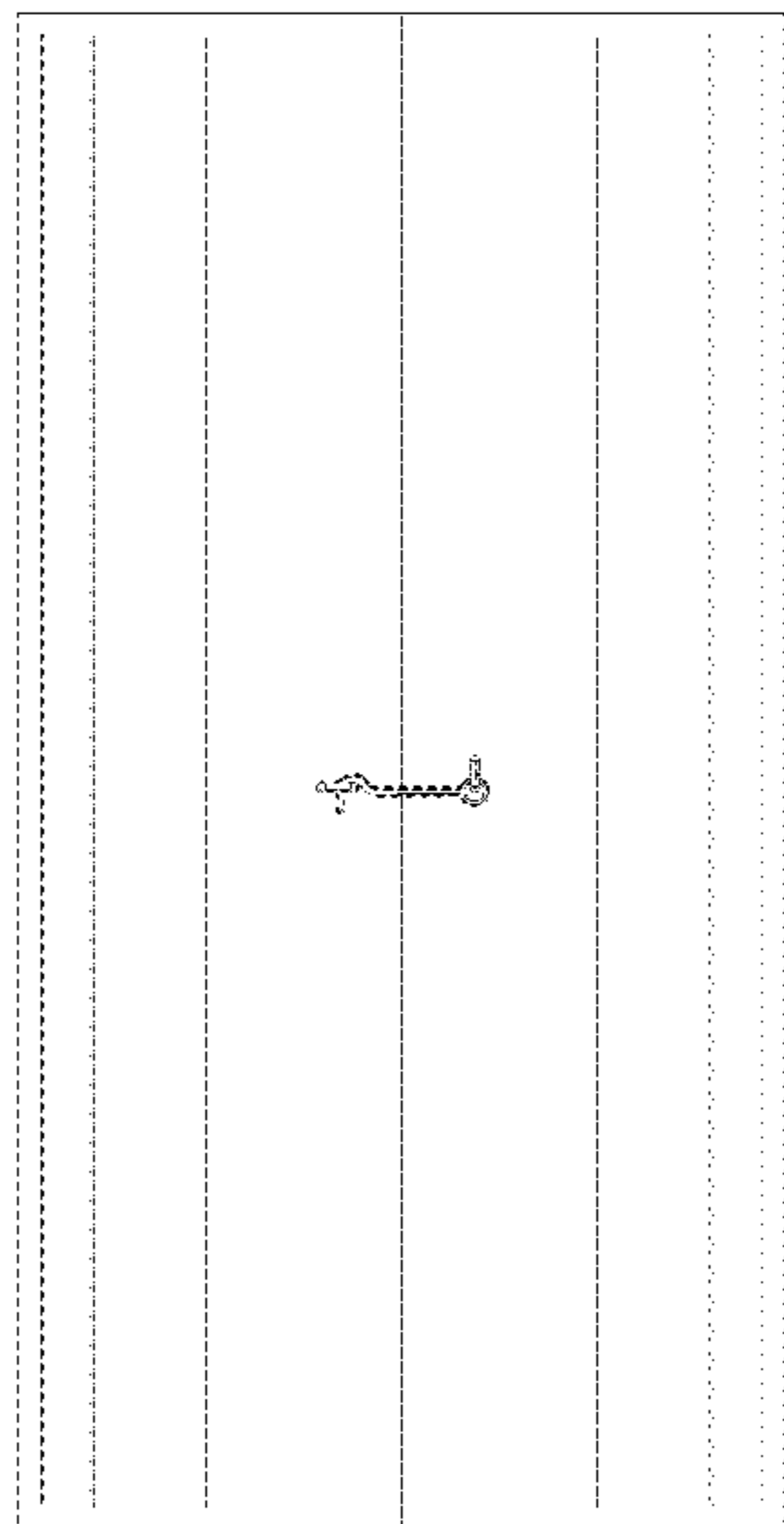
(57) **CLAIM**

I claim the ornamental design for a tree trunk shield, as shown and described.

DESCRIPTION

FIG. 1 is a front view of the tree trunk shield.
 FIG. 2 is a left side view of the claimed design.
 FIG. 3 is a right side view of the claimed design.
 FIG. 4 is a back view of the claimed design.
 FIG. 5 is a top view of the claimed design.
 FIG. 6 is a bottom view of the claimed design; and,
 FIG. 7 is a perspective view of the claimed design in an open configuration.

1 Claim, 6 Drawing Sheets



(56)

References Cited

U.S. PATENT DOCUMENTS

| | | | | | | | | | |
|----------------|---------|------------|-------|--------------|-------------------|---------|----------|-------|--------------|
| 5,402,600 A * | 4/1995 | Tompkins | | A01G 17/12 | 8,234,837 B2 * | 8/2012 | Koren | | E04C 3/30 |
| | | | | 47/42 | | | | | 138/157 |
| 5,471,783 A * | 12/1995 | McLean | | A01G 13/0243 | D676,722 S * | 2/2013 | Clancy | | D8/1 |
| | | | | 138/166 | 8,745,920 B1 * | 6/2014 | Mills | | A01G 13/0243 |
| D368,835 S | 4/1996 | Weber | | | | | | | 47/29.6 |
| D386,951 S * | 12/1997 | Burch | | D8/1 | 9,650,803 B1 * | 5/2017 | Bartels | | E04H 12/2292 |
| 5,819,468 A | 10/1998 | Jollie | | | 2006/0283852 A1 * | 12/2006 | Greiner | | B65F 1/068 |
| D403,929 S * | 1/1999 | Evans | | D8/1 | | | | | 220/4.22 |
| D409,057 S * | 5/1999 | Wagner | | D8/1 | 2008/0072510 A1 * | 3/2008 | Wells | | E04C 3/34 |
| 5,957,275 A * | 9/1999 | Lemaire | | A45C 11/26 | | | | | 52/251 |
| | | | | 206/445 | 2011/0258923 A1 * | 10/2011 | Lais | | A01G 13/0243 |
| D428,781 S * | 8/2000 | Tanner | | D8/1 | | | | | 47/32.6 |
| D429,125 S * | 8/2000 | Ingleton | | D8/1 | 2012/0151836 A1 | 6/2012 | Crook | | |
| 6,357,172 B1 * | 3/2002 | Risgaard | | A01G 13/10 | 2013/0221190 A1 * | 8/2013 | | | Bermudez |
| | | | | 47/32.4 | | | | | Perez |
| 6,481,155 B1 * | 11/2002 | Bugler | | A01G 13/0237 | | | | | A01G 13/0237 |
| | | | | 47/32.3 | 2014/0038493 A1 * | 2/2014 | Seyanagi | | B29C 39/24 |
| D598,658 S * | 8/2009 | Peppard | | D4/199 | | | | | 451/41 |
| D635,776 S * | 4/2011 | Bellot | | D4/199 | 2015/0181815 A1 | 7/2015 | Saunders | | |
| 8,181,386 B1 * | 5/2012 | Riley, Jr. | | A01G 13/0243 | 2015/0342127 A1 * | 12/2015 | Gallant | | A01G 9/02 |
| | | | | 47/29.1 | | | | | 47/20.1 |

* cited by examiner

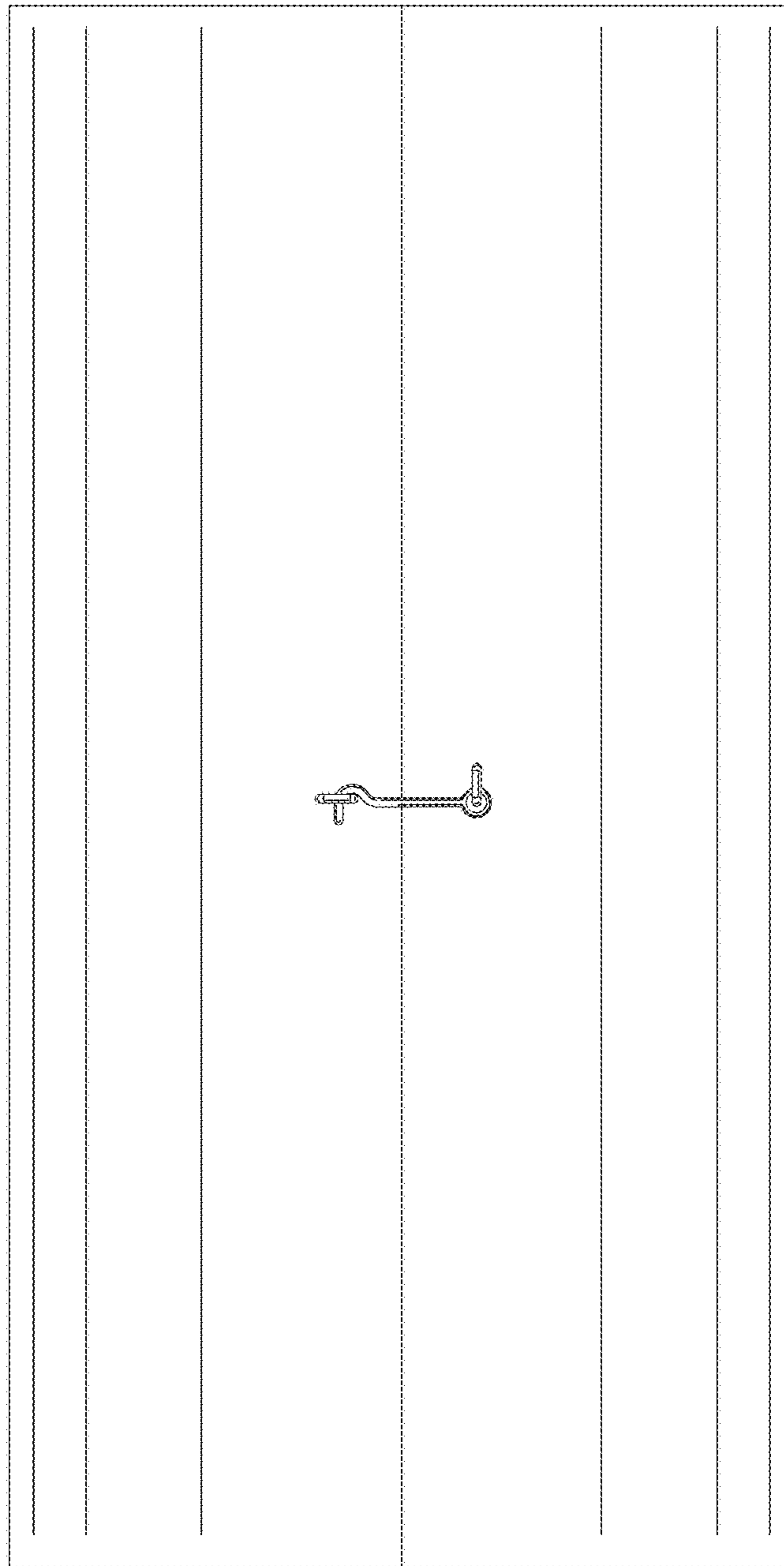


FIG. 1

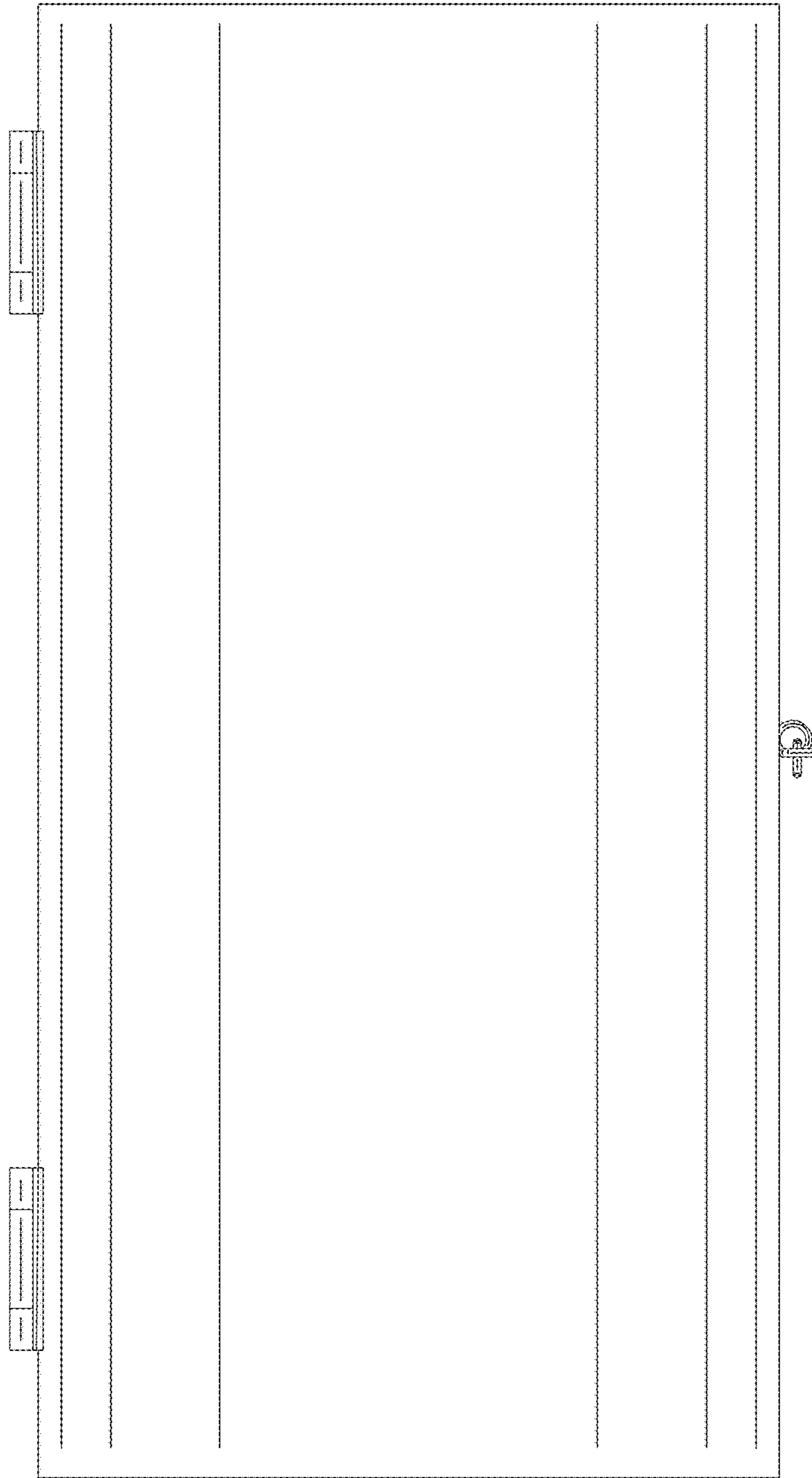


FIG. 2

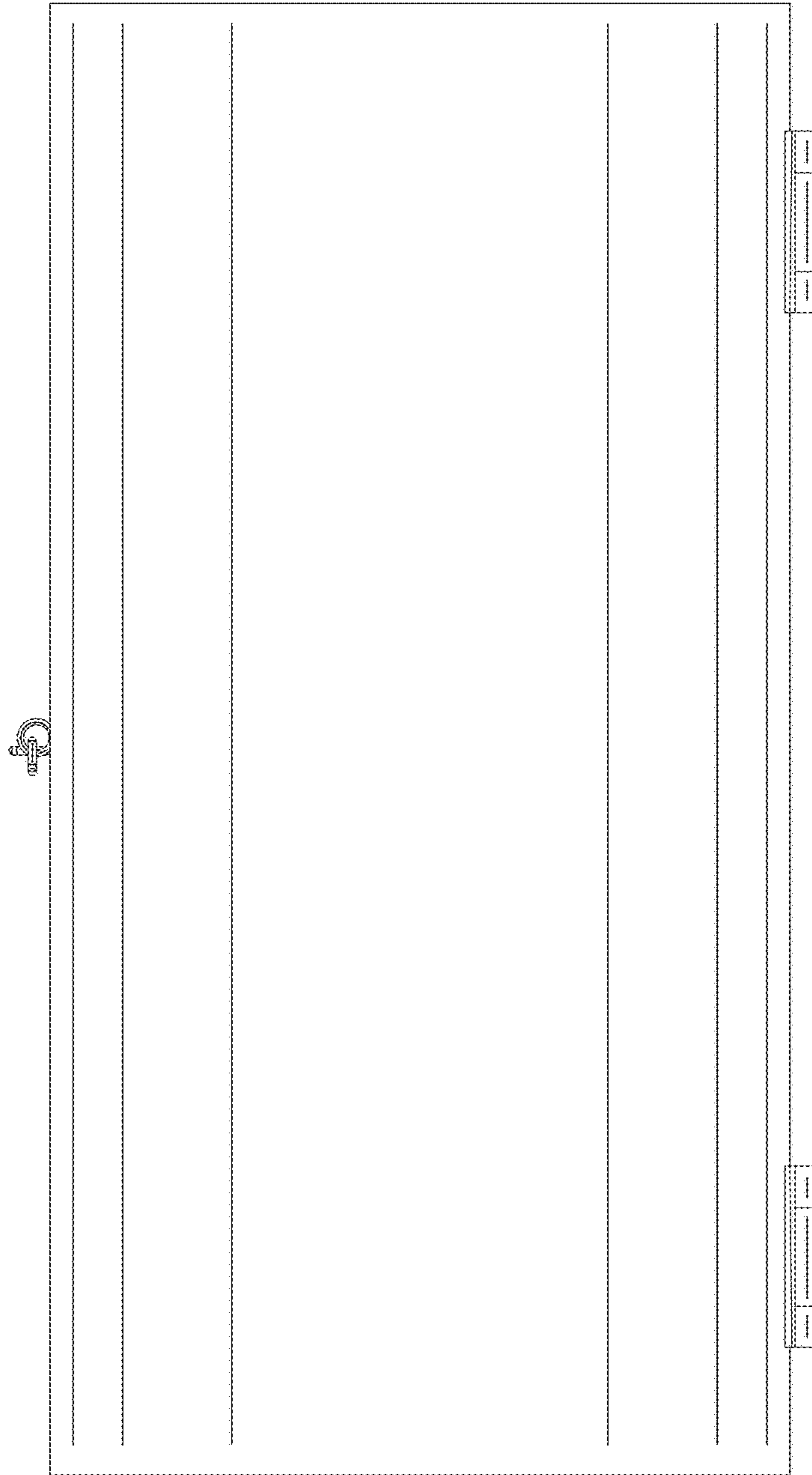


FIG. 3

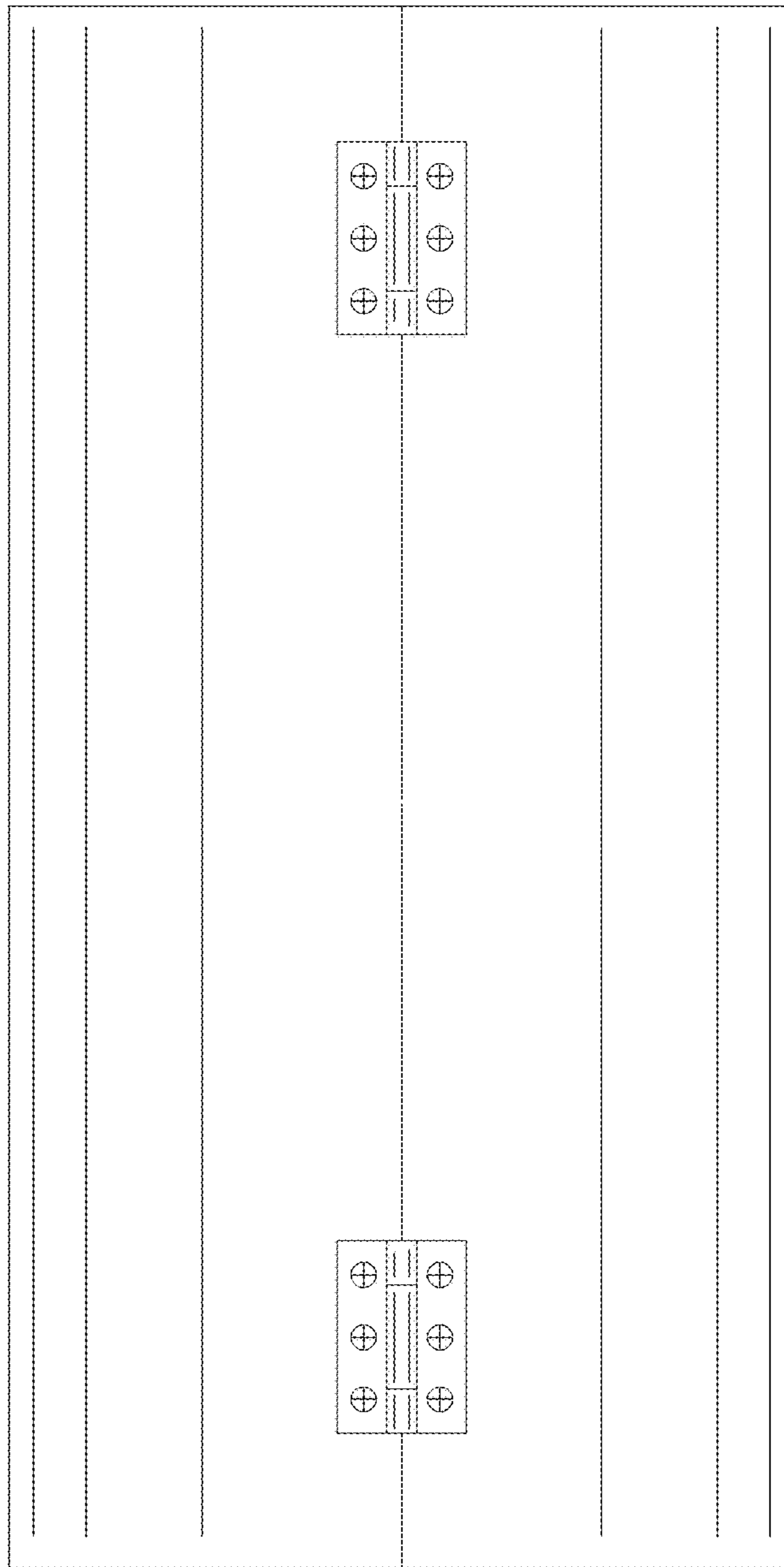


FIG. 4

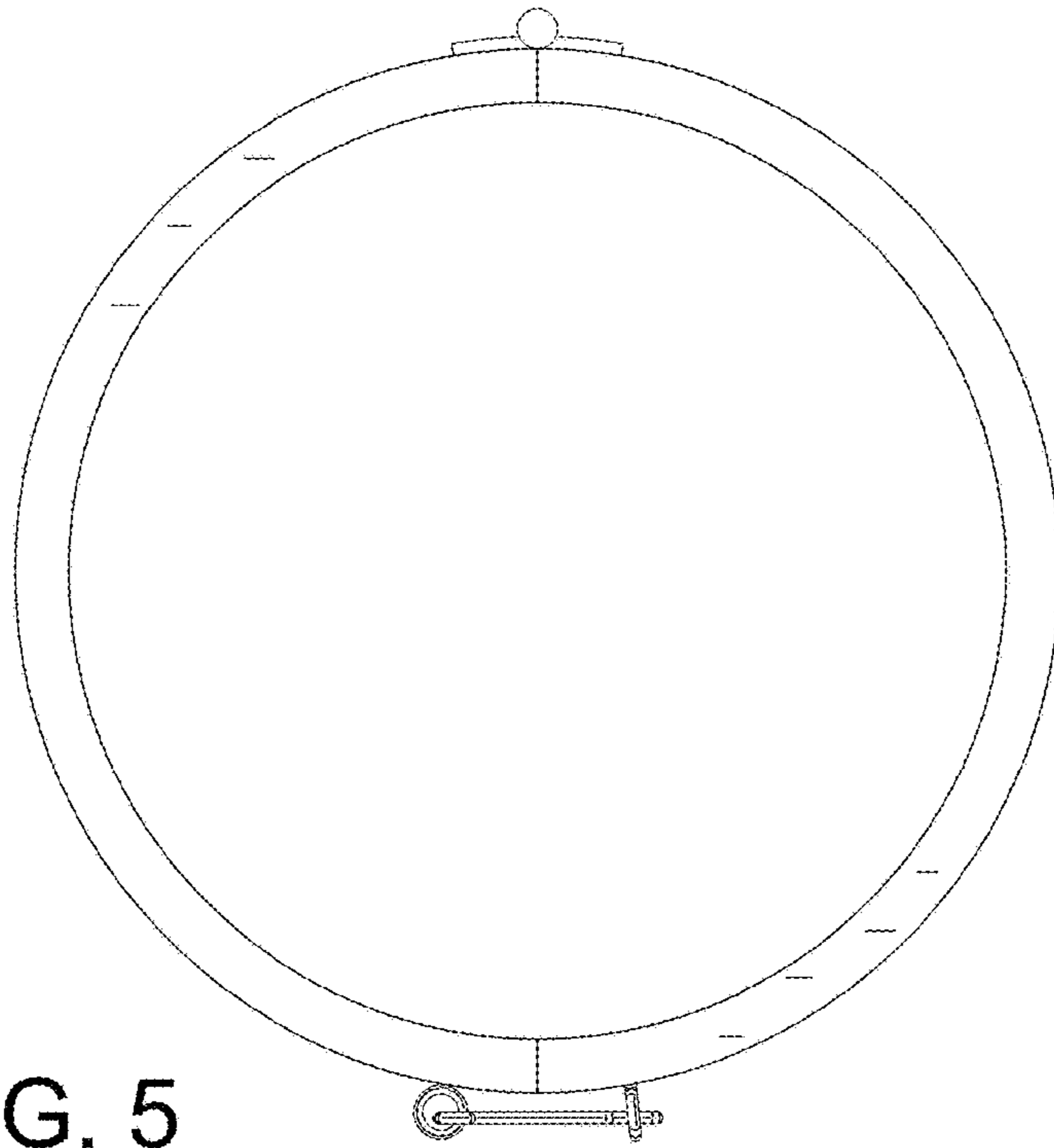


FIG. 5

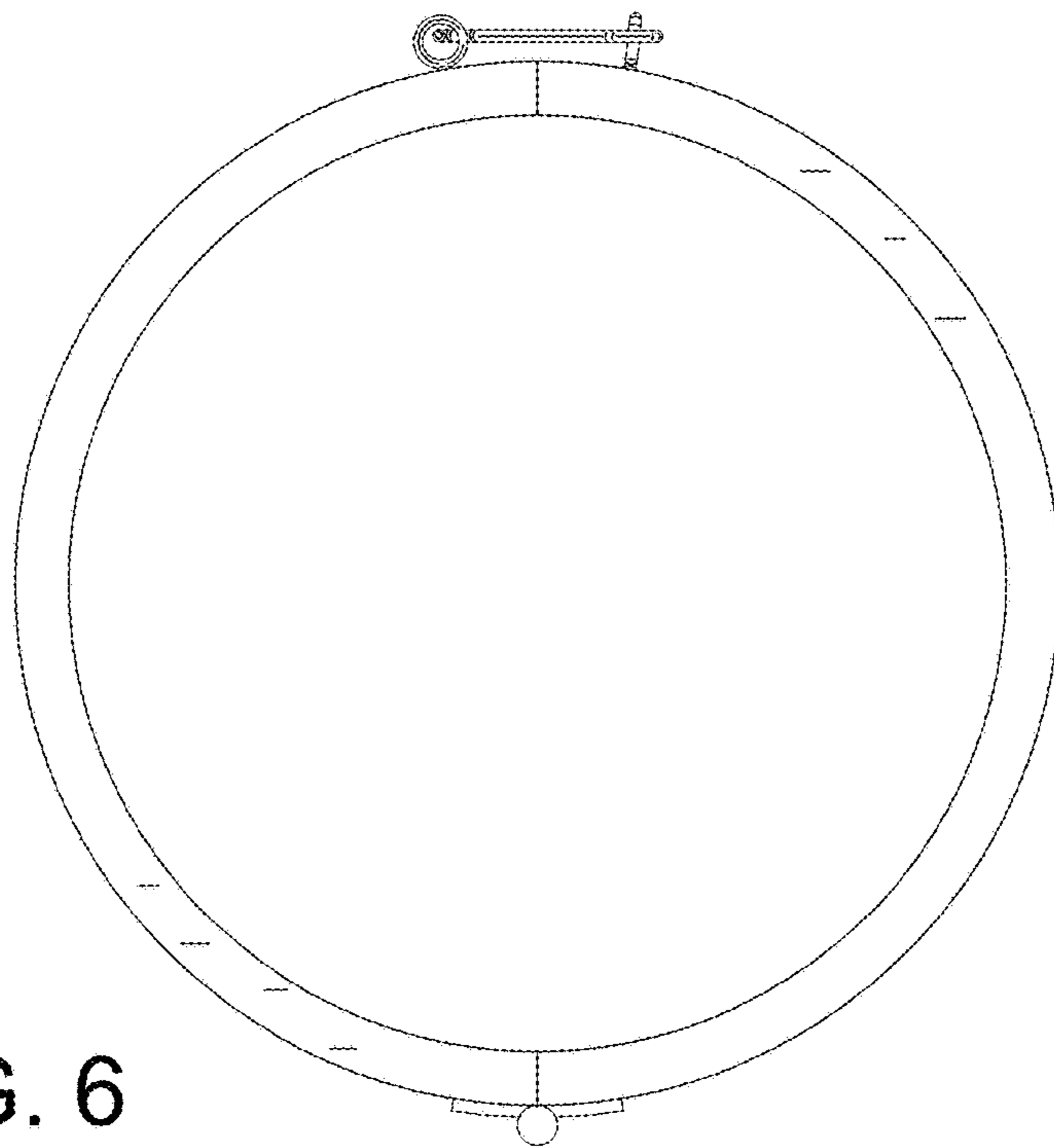


FIG. 6

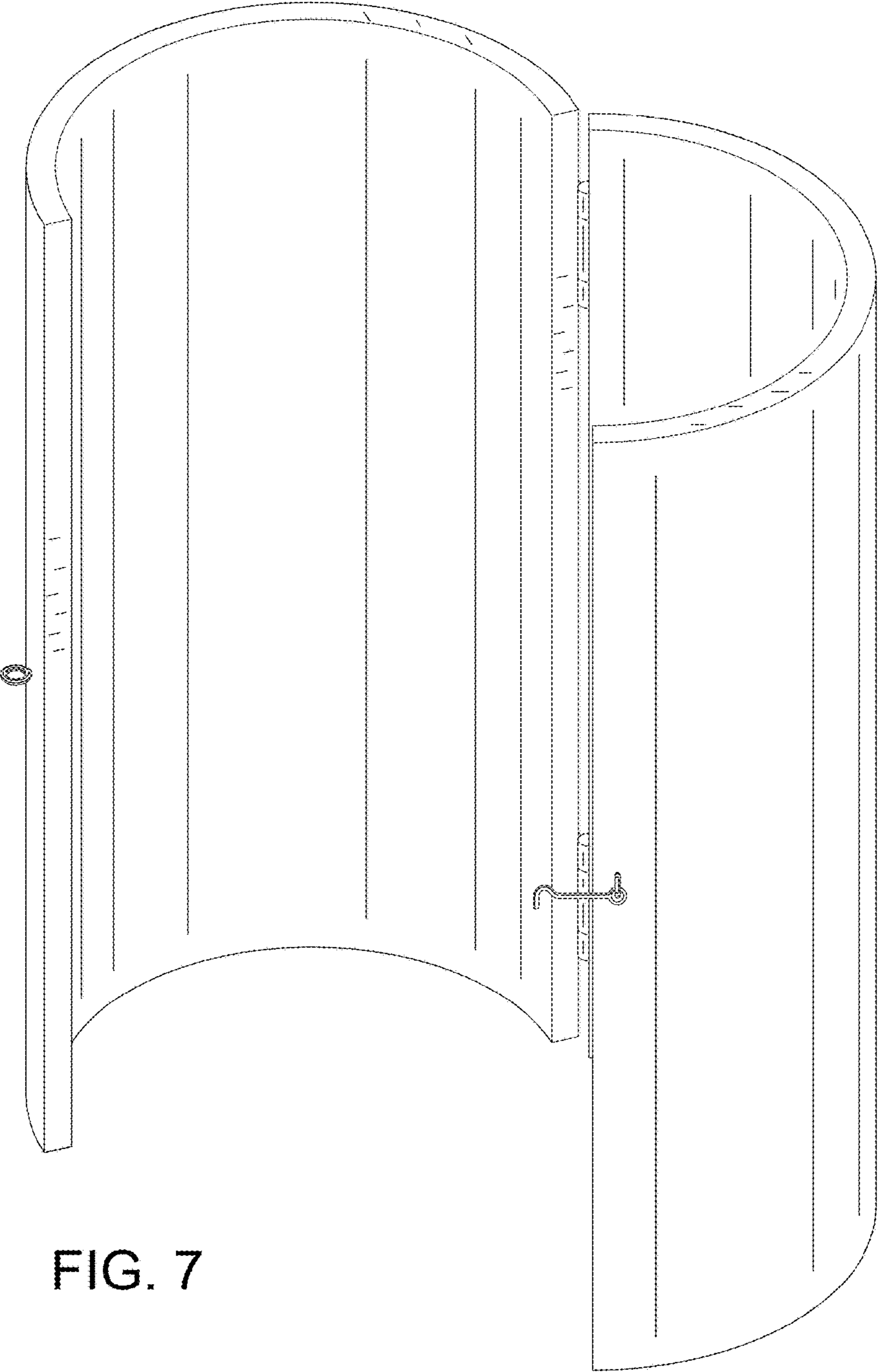


FIG. 7