



US00D796278S

(12) **United States Design Patent** (10) **Patent No.:** **US D796,278 S**
Lonsway (45) **Date of Patent:** **** Sep. 5, 2017**

(54) **IN-LINE SOLUBLE MEDIA DELIVERY DISPENSER**

(71) Applicant: **Meterio Micheal Lonsway, Vail, AZ (US)**

(72) Inventor: **Meterio Micheal Lonsway, Vail, AZ (US)**

(**) Term: **14 Years**

(21) Appl. No.: **29/517,819**

(22) Filed: **Feb. 17, 2015**

(51) **LOC (10) Cl.** **08-01**

(52) **U.S. Cl.**
USPC **D8/1**

(58) **Field of Classification Search**
USPC D8/1, 2; D30/124, 132; D23/209
CPC A01G 25/02; A01C 23/042; B01F 1/00;
B05B 7/2462
See application file for complete search history.

(56) **References Cited**

U.S. PATENT DOCUMENTS

D160,289 S * 9/1950 Wetzig D8/1
D254,145 S * 2/1980 Wilcock D23/209
D391,338 S * 2/1998 King D23/209
5,769,318 A 6/1998 Greubel
D433,603 S * 11/2000 Kohls D8/2
6,219,963 B1 * 4/2001 Wang A01G 27/006
239/38
D441,505 S * 5/2001 Nylen D30/124
6,451,271 B1 9/2002 Hammonds
D480,515 S * 10/2003 Heyek D30/124
6,648,243 B1 11/2003 Kastner

D548,832 S * 8/2007 Kallay D24/108
D605,282 S * 12/2009 Nichetti D24/108
7,674,313 B2 3/2010 Jordon et al.
D626,645 S * 11/2010 Omori D24/108
D638,099 S * 5/2011 Farley D23/209
D683,842 S * 6/2013 Wang D24/108
D708,402 S * 7/2014 Orgill D30/121
D758,528 S * 6/2016 Ruprecht D23/209
2006/0108376 A1 5/2006 Muir
2011/0000976 A1 1/2011 Roide
2016/0198626 A1* 7/2016 Lonsway A01C 23/042
137/268

FOREIGN PATENT DOCUMENTS

CA 2678537 3/2011
JP 2013085509 5/2013
WO 2006034105 3/2006
WO 2008129310 10/2008

* cited by examiner

Primary Examiner — Sheryl Lane
(74) *Attorney, Agent, or Firm* — Grossman Tucker
Perreault & Pflieger PLLC

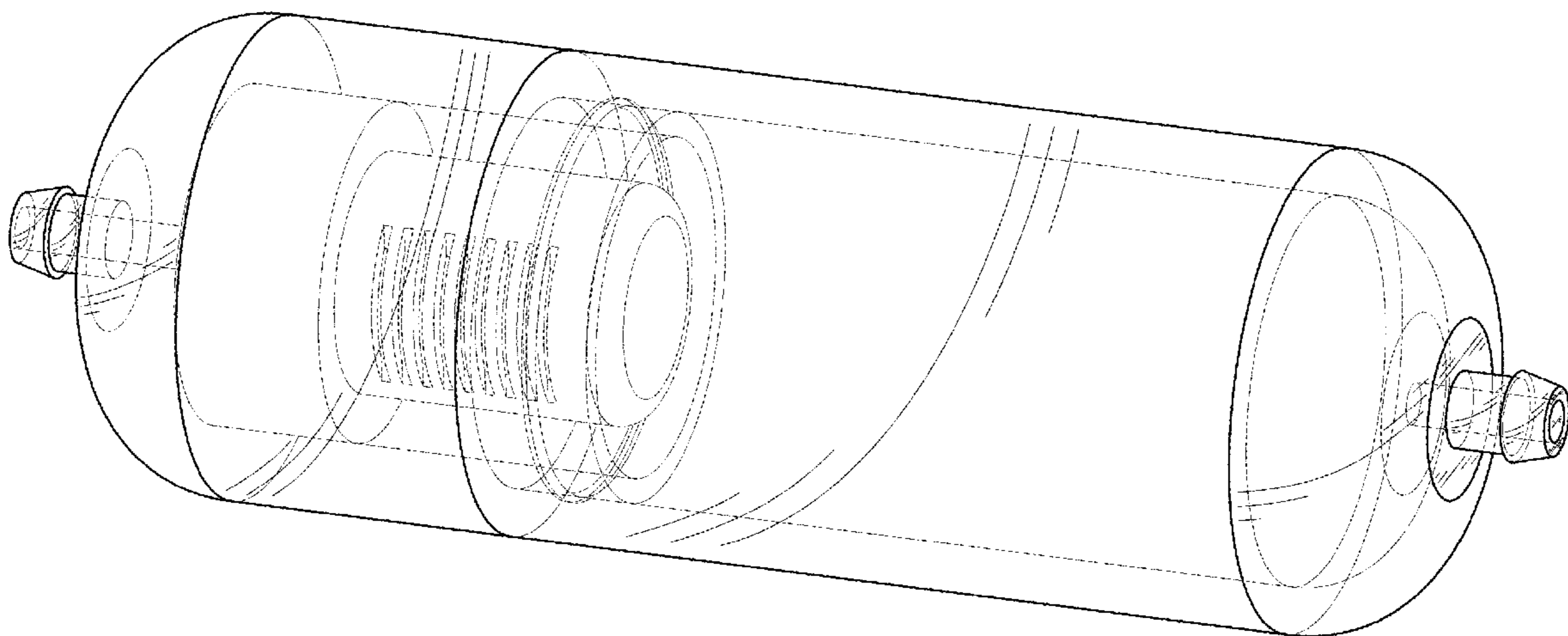
(57) **CLAIM**

The ornamental design for an in-line soluble media delivery dispenser, as shown.

DESCRIPTION

FIG. 1 is a perspective view of an in-line soluble media delivery dispenser showing my new design comprising a transparent housing and an opaque internal filter;
FIG. 2 is a left side elevation view thereof;
FIG. 3 is a right side elevation view thereof;
FIG. 4 is a front elevation view thereof; and,
FIG. 5 is a top plan view thereof.

1 Claim, 5 Drawing Sheets



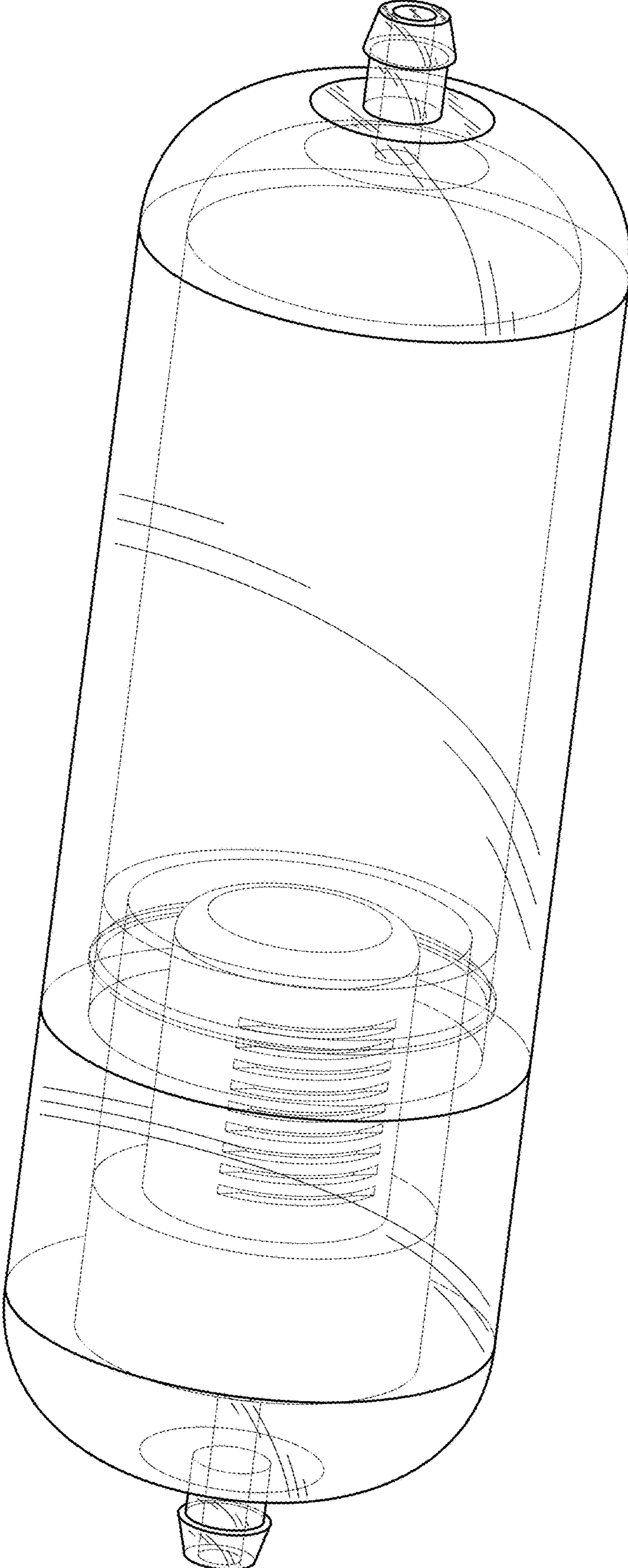


FIG. 1

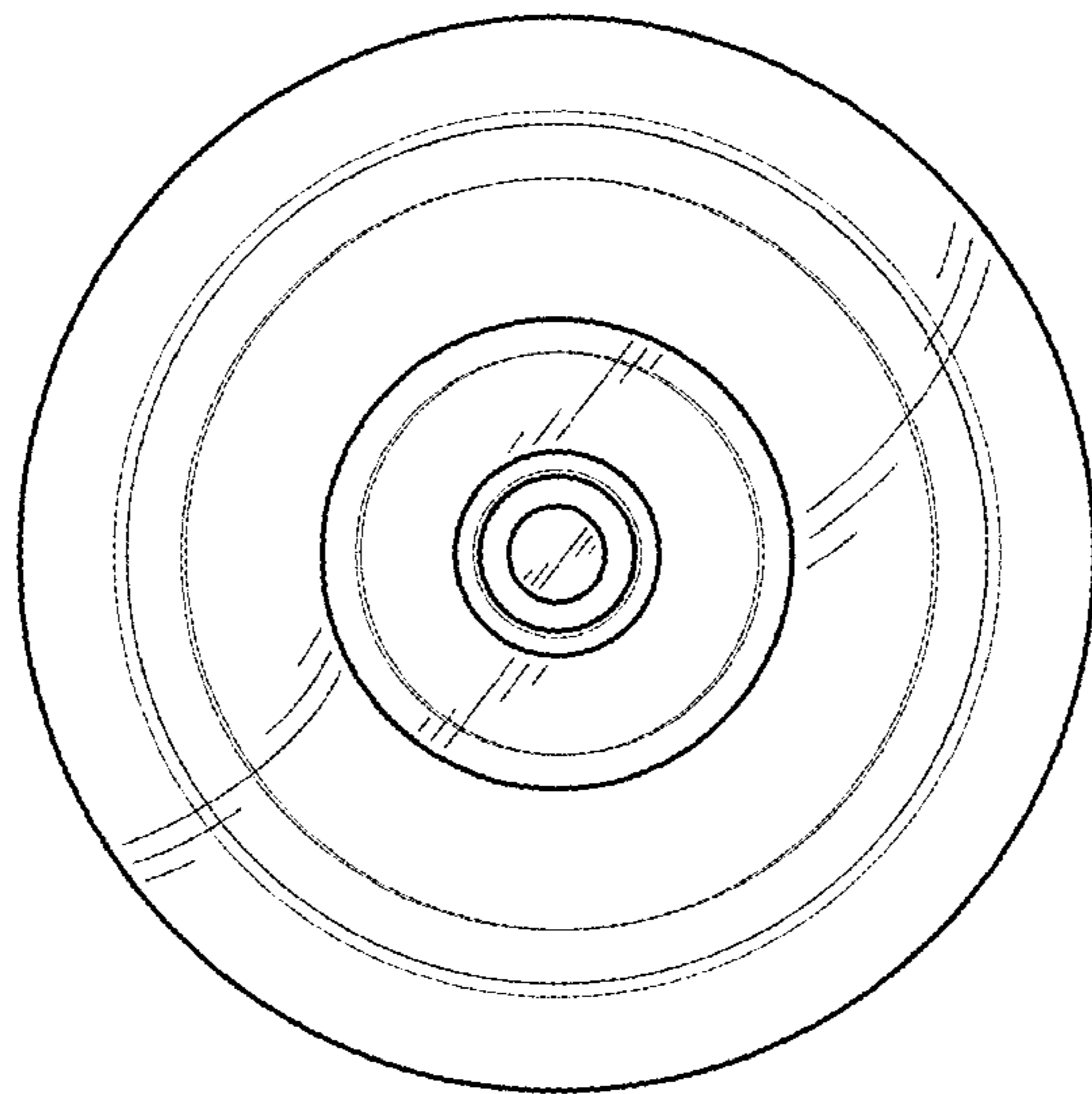


FIG. 2

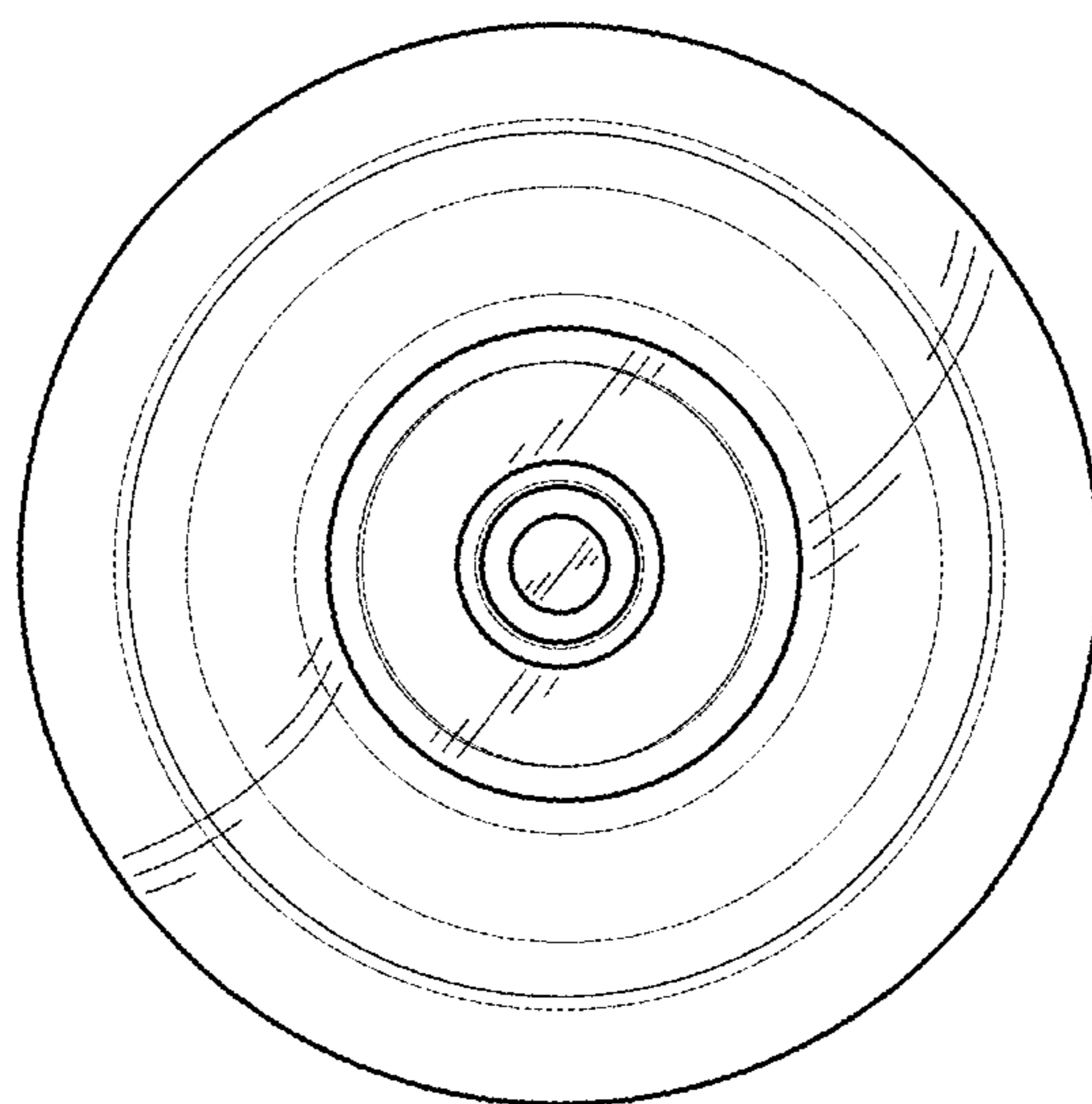


FIG. 3

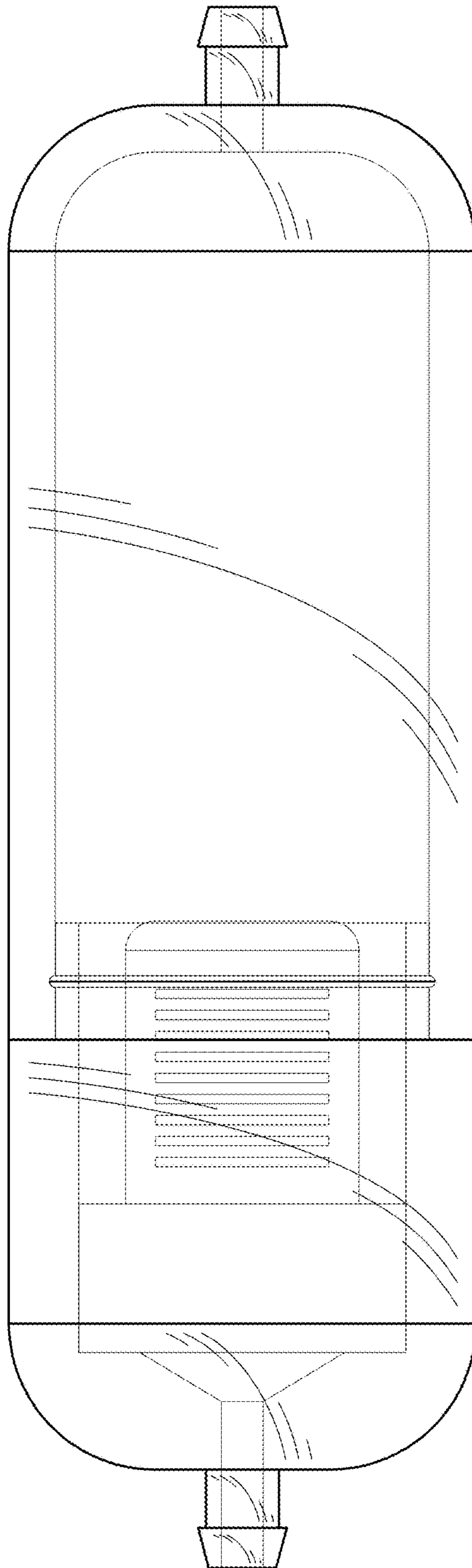


FIG. 4

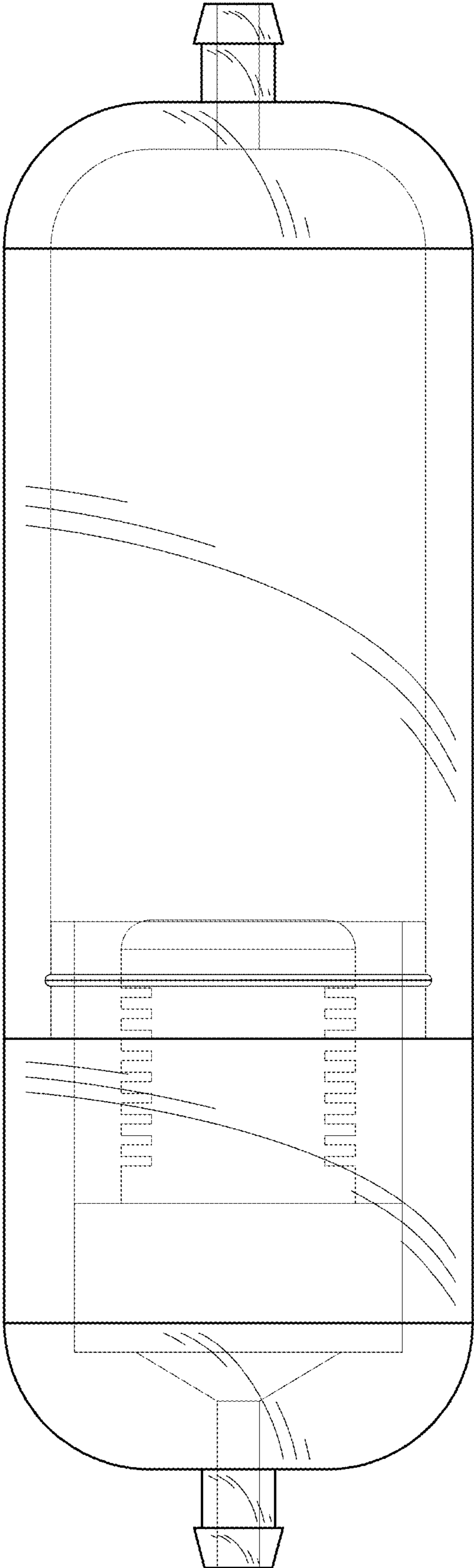


FIG. 5