



US00D796277S

(12) **United States Design Patent**  
**Stiffel**

(10) **Patent No.:** **US D796,277 S**

(45) **Date of Patent:** **\*\* Sep. 5, 2017**

(54) **TRANSPARENT WINE BOTTLE STOPPER  
HOLDER**

(71) Applicant: **Henry Stiffel**, Jupiter, FL (US)

(72) Inventor: **Henry Stiffel**, Jupiter, FL (US)

(\*\*) Term: **15 Years**

(21) Appl. No.: **29/545,654**

(22) Filed: **Nov. 14, 2015**

(51) **LOC (10) Cl.** ..... **07-06**

(52) **U.S. Cl.**  
USPC ..... **D7/701**

(58) **Field of Classification Search**  
USPC ..... D7/601, 701-708, 619.1-625; D6/512,  
D6/528, 534, 535, 682, 682.2, 678.1, 525,  
D6/682.1; D30/130, 131, 133  
CPC ..... B01L 9/06; A47F 7/021; G01F 19/007;  
A47K 5/04

See application file for complete search history.

(56) **References Cited**

**U.S. PATENT DOCUMENTS**

3,874,085 A \* 4/1975 Atkins ..... G01F 19/007  
33/524  
D277,149 S \* 1/1985 Hind ..... D6/535  
D300,290 S \* 3/1989 Moberg ..... D6/682.2  
4,973,018 A \* 11/1990 Agor ..... A47K 5/04  
211/75

D323,447 S \* 1/1992 Booz ..... D7/705  
D505,841 S \* 6/2005 Fiedeler ..... D6/525  
D528,876 S \* 9/2006 King ..... D7/701  
D594,293 S \* 6/2009 Hassold ..... D7/701  
D601,865 S \* 10/2009 Castellucci ..... D7/701  
D604,975 S \* 12/2009 Racanelli ..... D6/534  
D608,577 S \* 1/2010 Racanelli ..... D6/534  
D636,642 S \* 4/2011 Dulin ..... D7/701  
D647,667 S \* 10/2011 Siklosi ..... D30/130  
D648,162 S \* 11/2011 Michnuk ..... D6/534  
D648,164 S \* 11/2011 Michnuk ..... D6/534  
D705,618 S \* 5/2014 Reid, Jr. .... D7/701

\* cited by examiner

*Primary Examiner* — Terry Wallace

(74) *Attorney, Agent, or Firm* — Gulf Coast Intellectual  
Property Group

(57) **CLAIM**

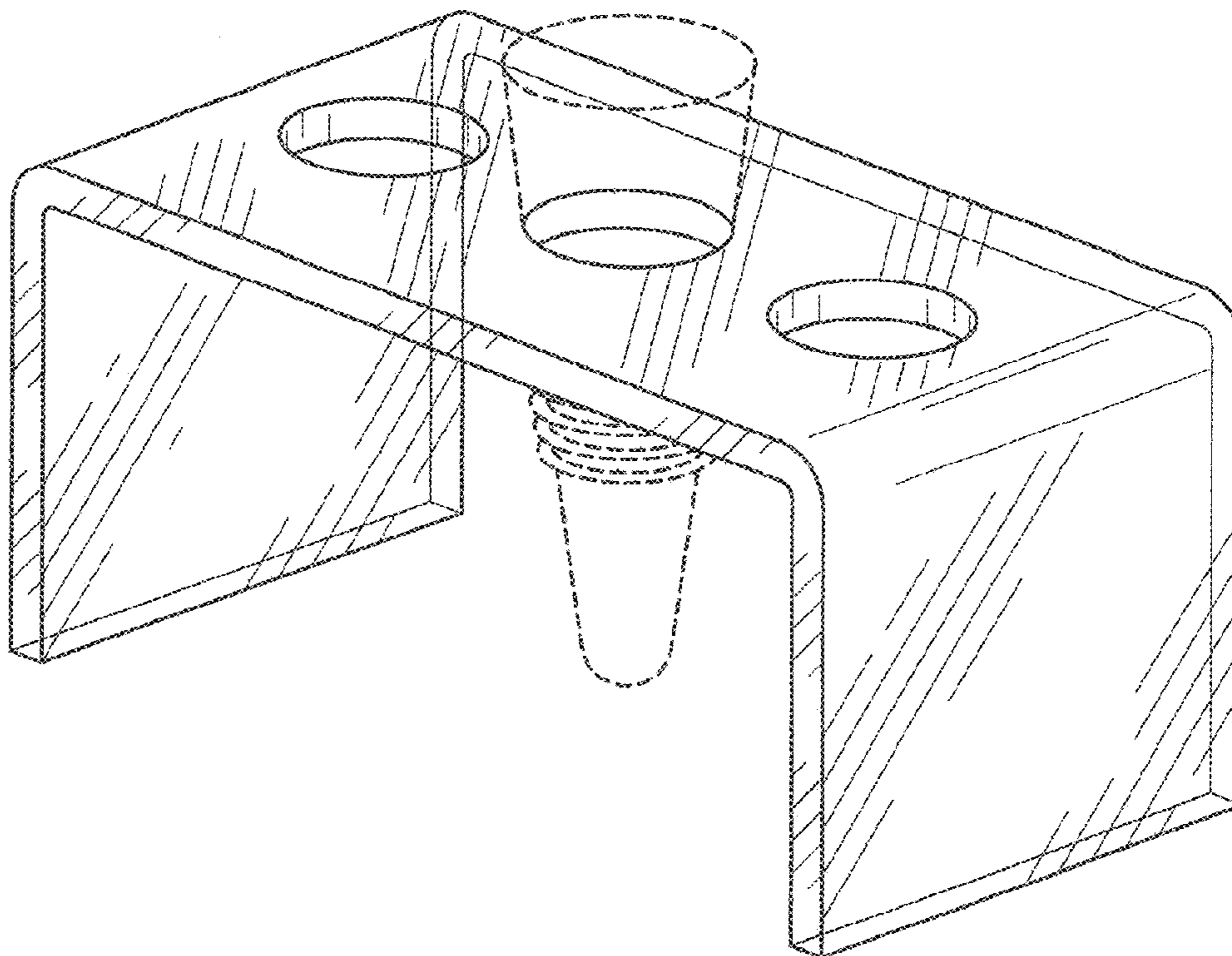
The ornamental design for the transparent wine bottle stopper holder, as shown and described.

**DESCRIPTION**

FIG. 1 is a perspective view of the present invention; and FIG. 2 is a left side view of the present invention; and FIG. 3 is a right side view of the present invention; and FIG. 4 is a front plan view of the present invention; and FIG. 5 is a rear plan view of the present invention; and FIG. 6 is a top view of the present invention; and, FIG. 7 is a bottom view of the present invention.

Wherein the dotted lines herein illustrate environment and use and do not form any part of the claimed design.

**1 Claim, 3 Drawing Sheets**



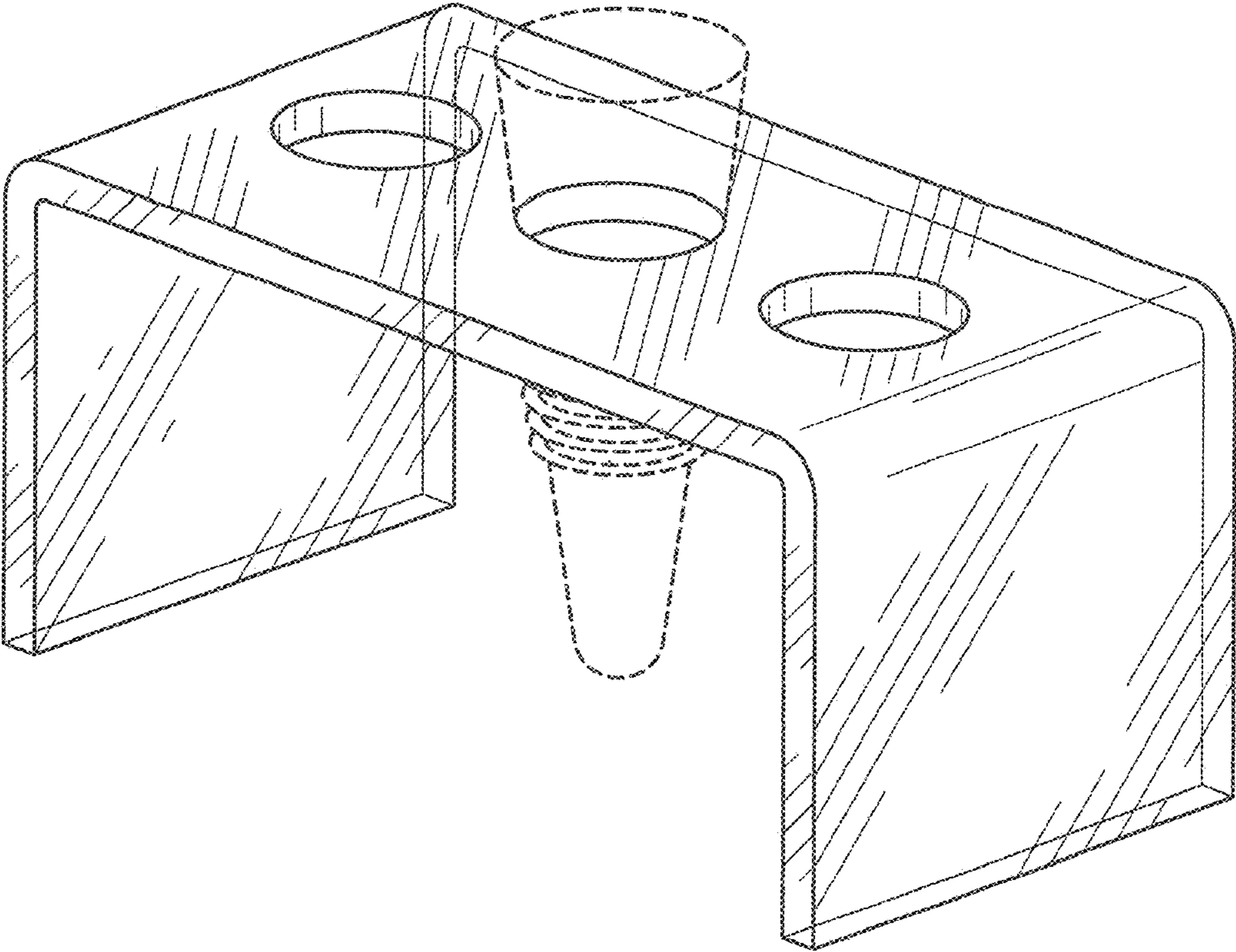


FIG. 1

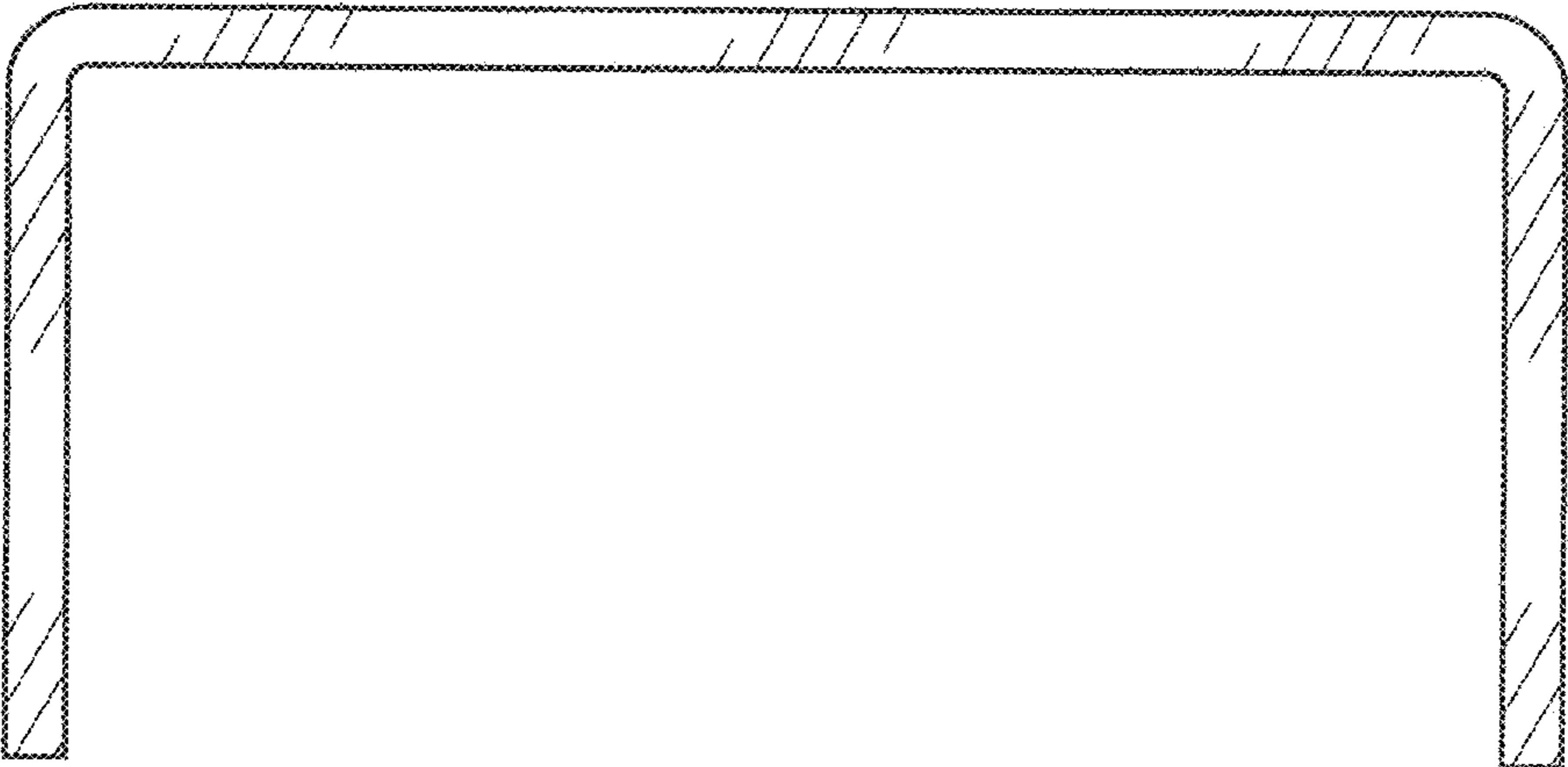
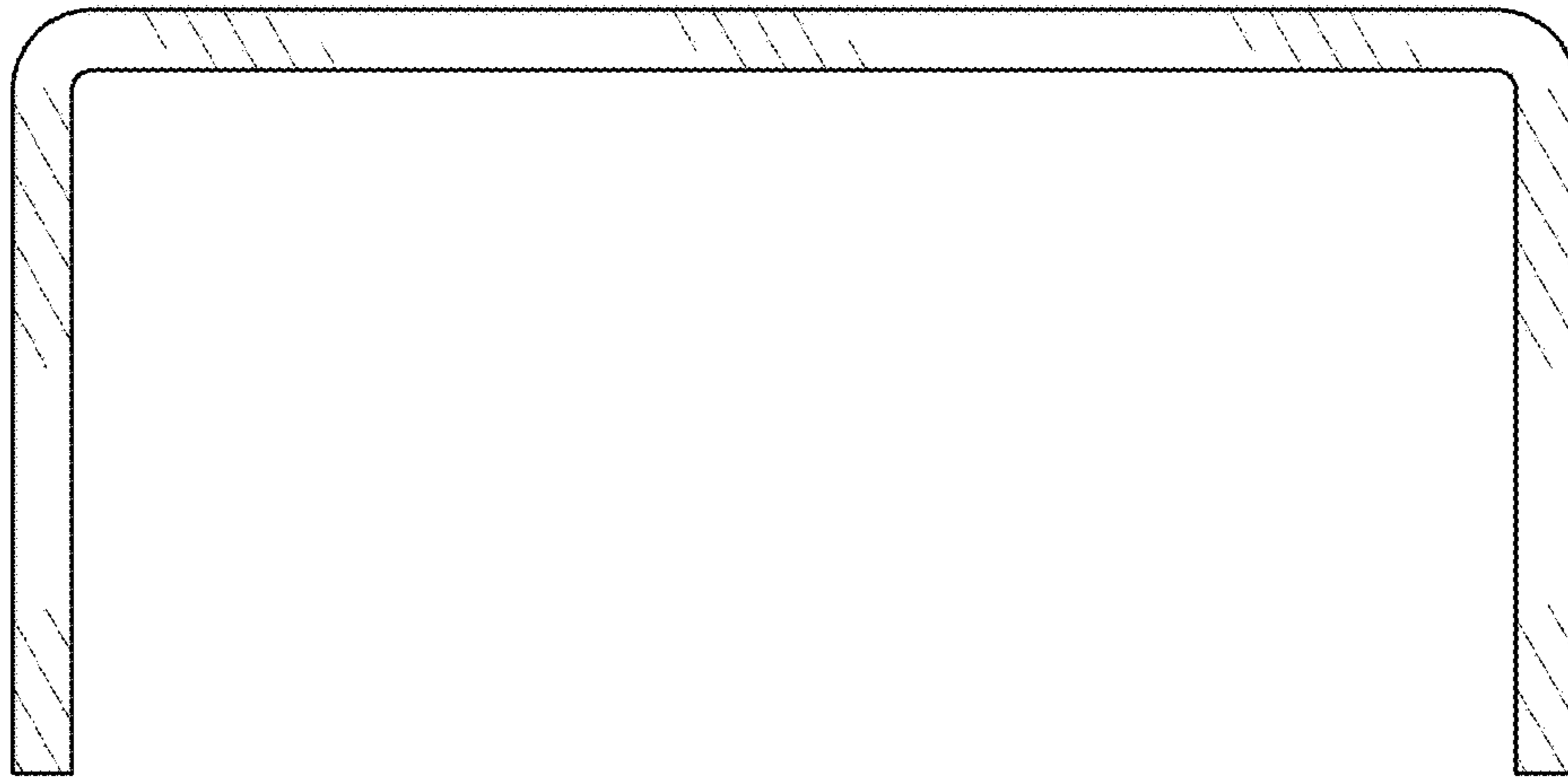
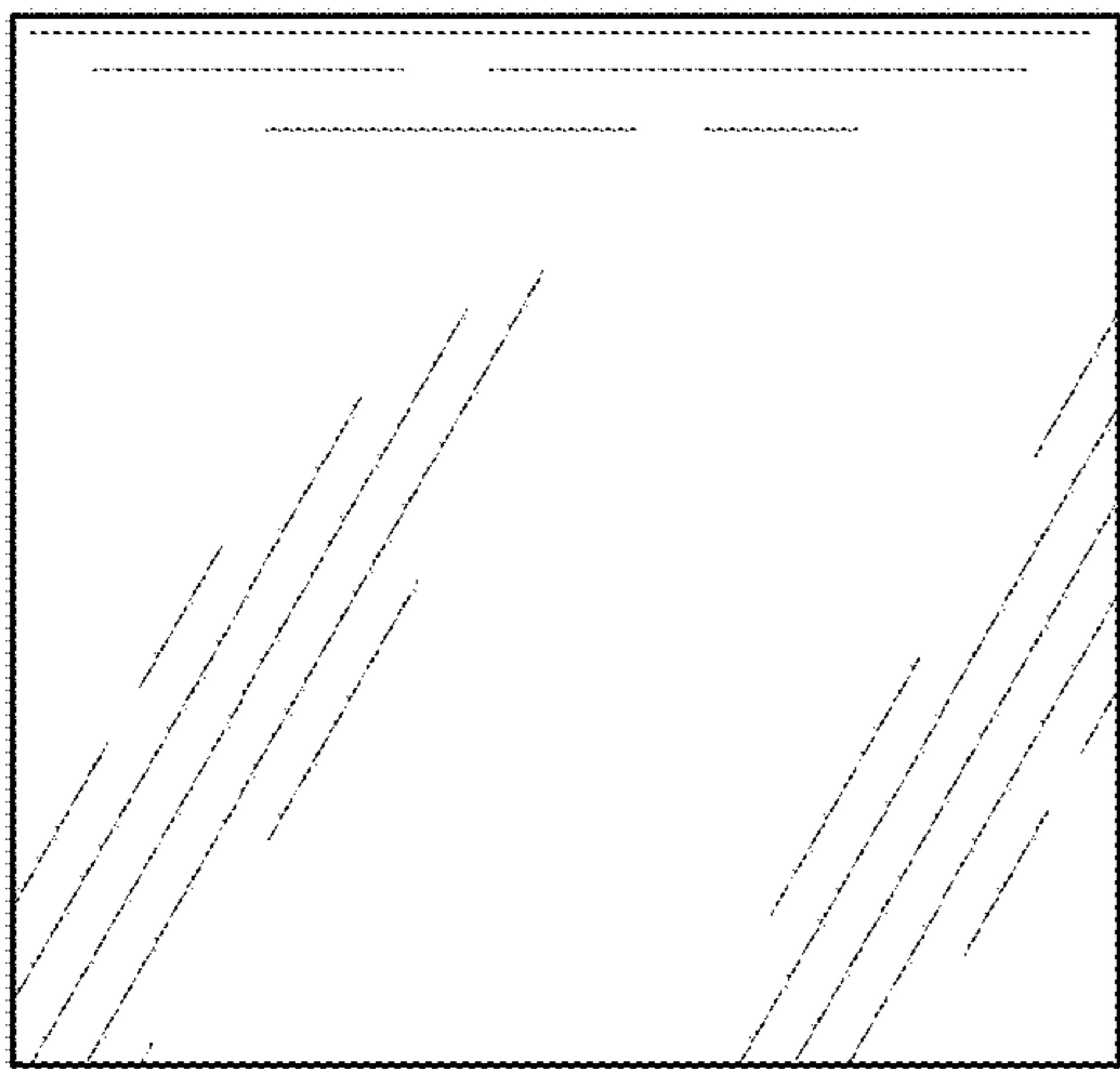


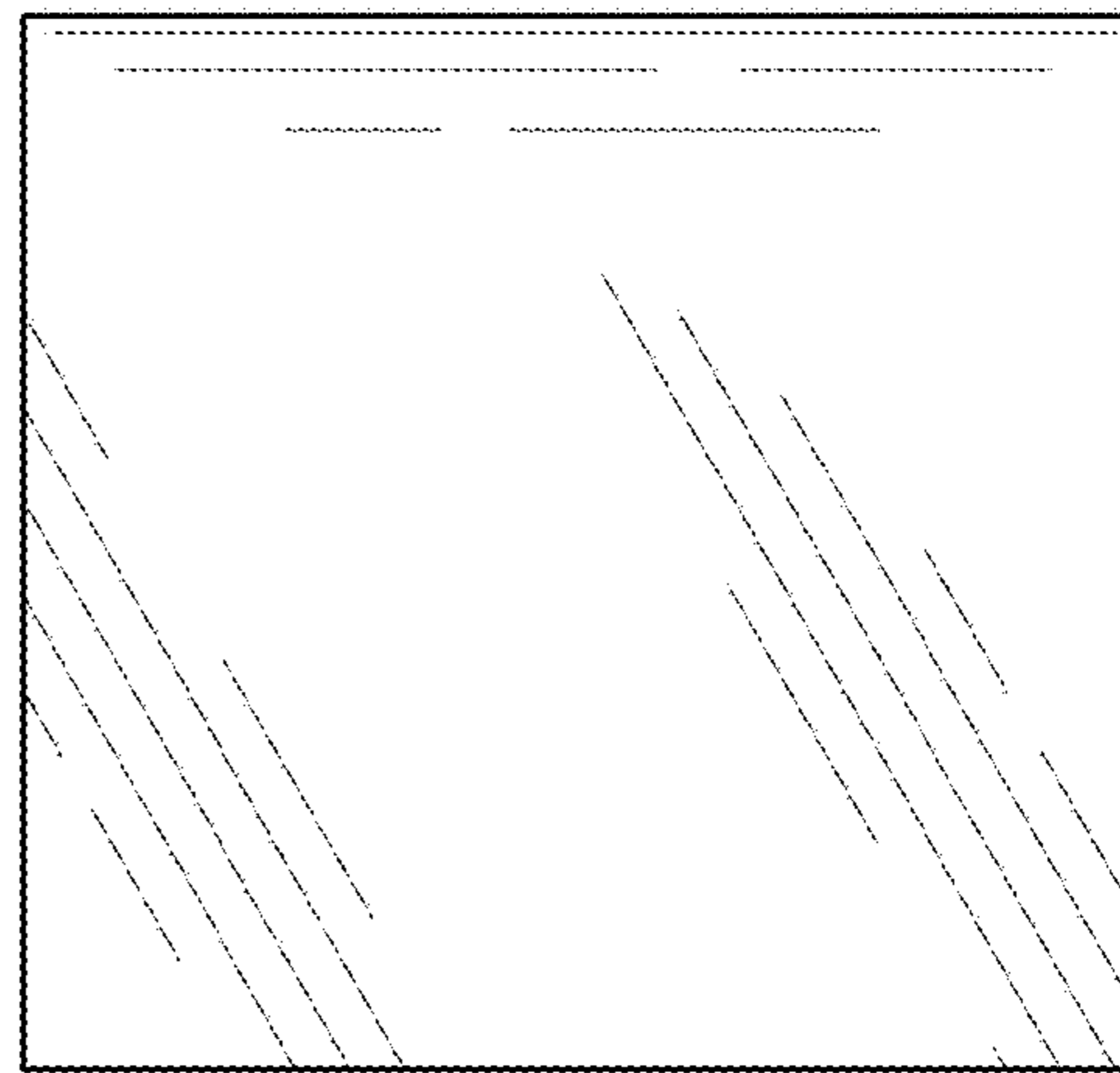
FIG. 2



**FIG. 3**



**FIG. 4**



**FIG. 5**

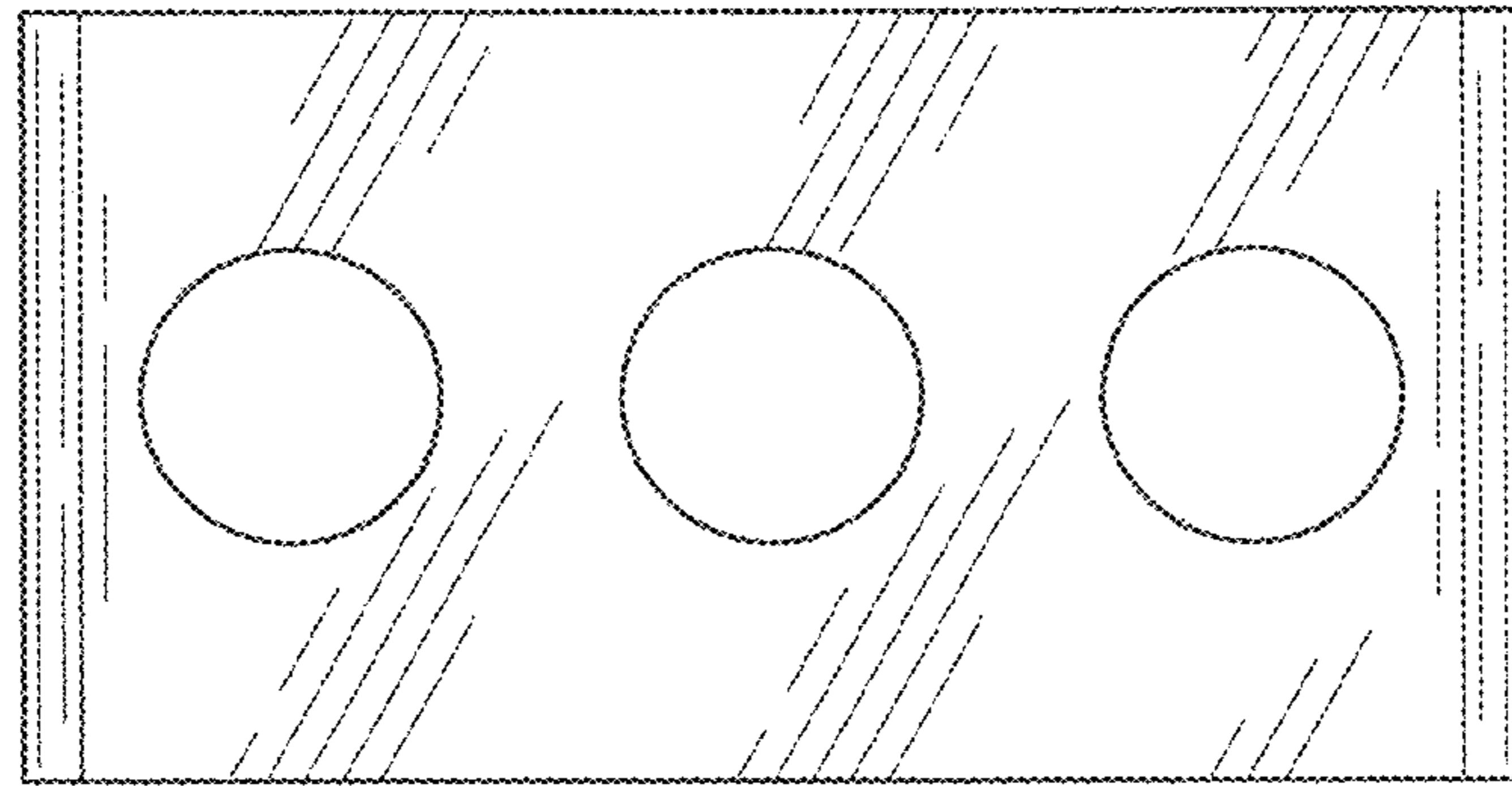


FIG. 6

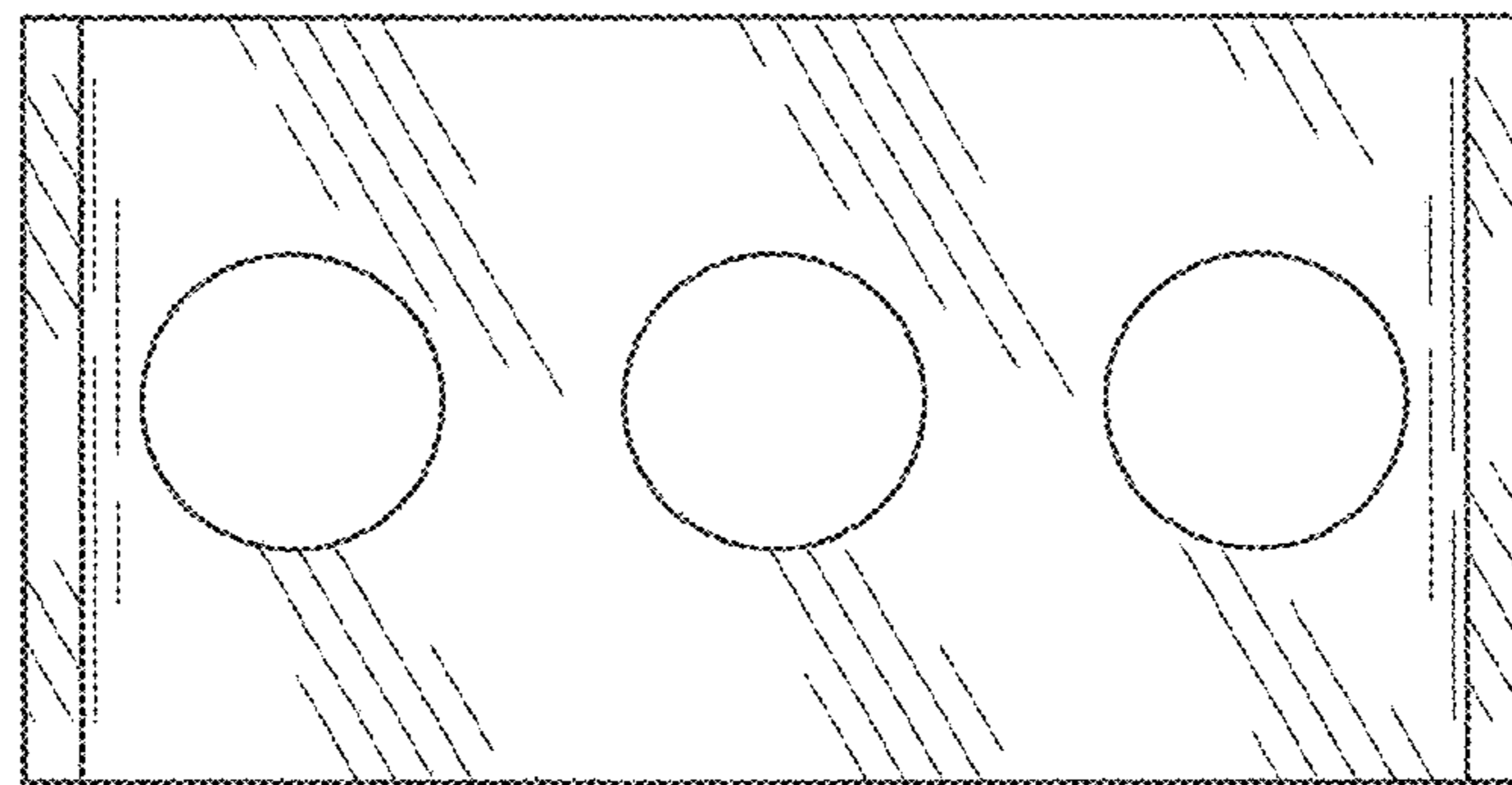


FIG. 7