

US00D796276S

(12) **United States Design Patent** (10) **Patent No.:** **US D796,276 S**  
**King** (45) **Date of Patent:** **\*\* Sep. 5, 2017**

(54) **CARVING BOARD**  
(71) Applicant: **Kenneth Charles King**, North Potomac, MD (US)  
(72) Inventor: **Kenneth Charles King**, North Potomac, MD (US)

5,236,387 A 8/1993 Simon  
D348,809 S 7/1994 Ladwig  
5,366,208 A 11/1994 Benjamin  
D357,847 S 5/1995 Hoffman  
D374,380 S \* 10/1996 Sawatsky ..... D7/698  
D376,606 S \* 12/1996 Thompson ..... D10/64  
5,791,479 A 8/1998 Beres  
5,865,105 A 2/1999 Pepelanov

(\*\*) Term: **15 Years**

(Continued)

(21) Appl. No.: **29/591,212**

FOREIGN PATENT DOCUMENTS

(22) Filed: **Jan. 18, 2017**

GB 2470556 A 1/2010

(51) **LOC (10) Cl.** ..... **07-04**

OTHER PUBLICATIONS

(52) **U.S. Cl.**  
USPC ..... **D7/698**

SassyribersbySonja, "Vintage Wooden Spiked Meat Carving Board", <http://www.flickr.com/photos/thetrap/6495619511>, 3 pages, 2012.

(58) **Field of Classification Search**  
USPC ..... D7/359, 409, 543, 549, 550.1, 586, D7/698-699; D15/127; D23/308; D32/55-57  
CPC ..... A47J 47/00; A47J 47/005; A47J 47/16; A47J 47/20; B26D 7/0006; B26D 7/018; B26D 7/20; B23D 21/00; B23K 37/04; B23K 37/053; B23Q 1/032; B23Q 16/001; B65D 19/0036  
See application file for complete search history.

*Primary Examiner* — Ricky Pham  
(74) *Attorney, Agent, or Firm* — The Marbury Law Group, PLLC

(57) **CLAIM**

The ornamental design for a carving board, as shown and described.

(56) **References Cited**

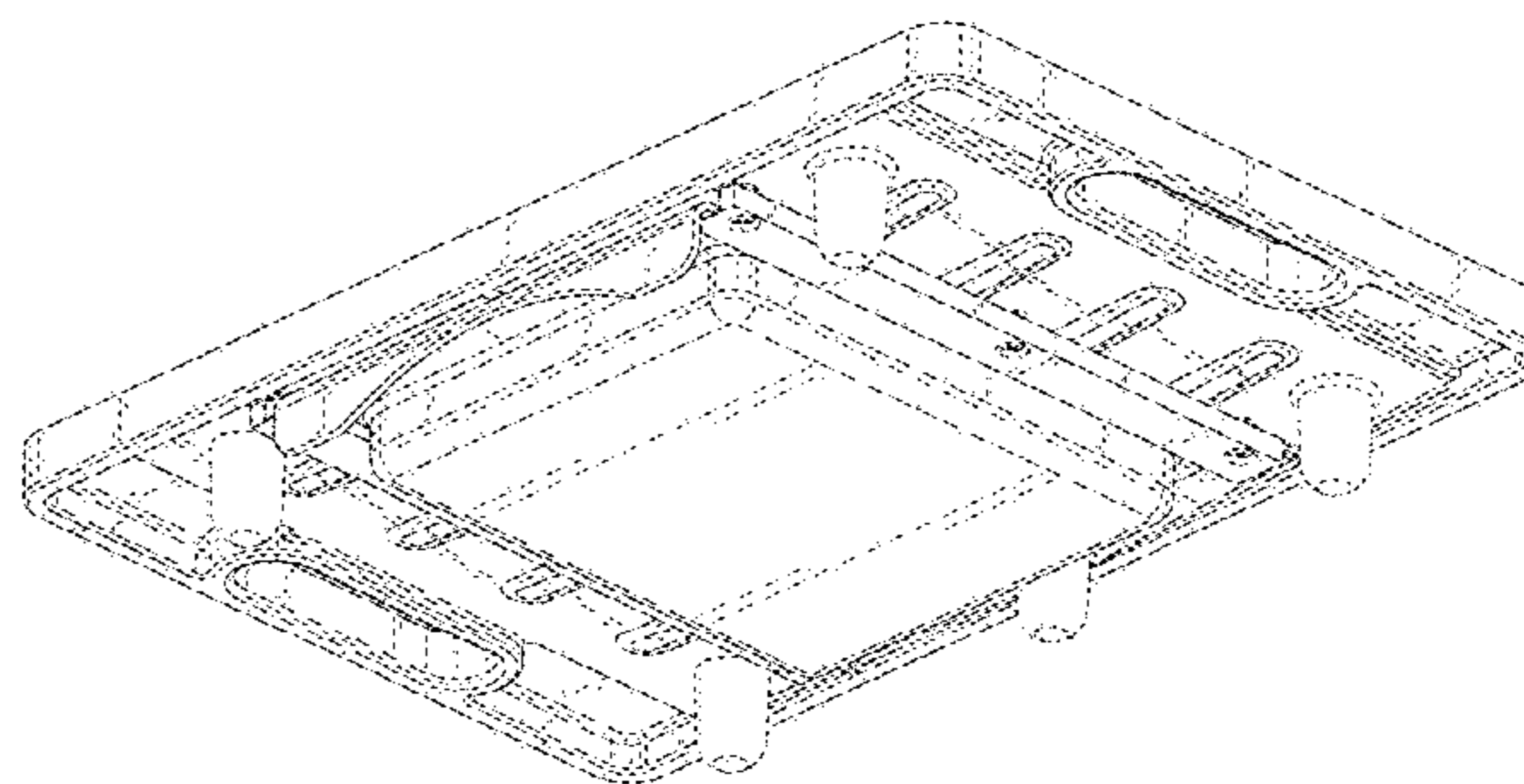
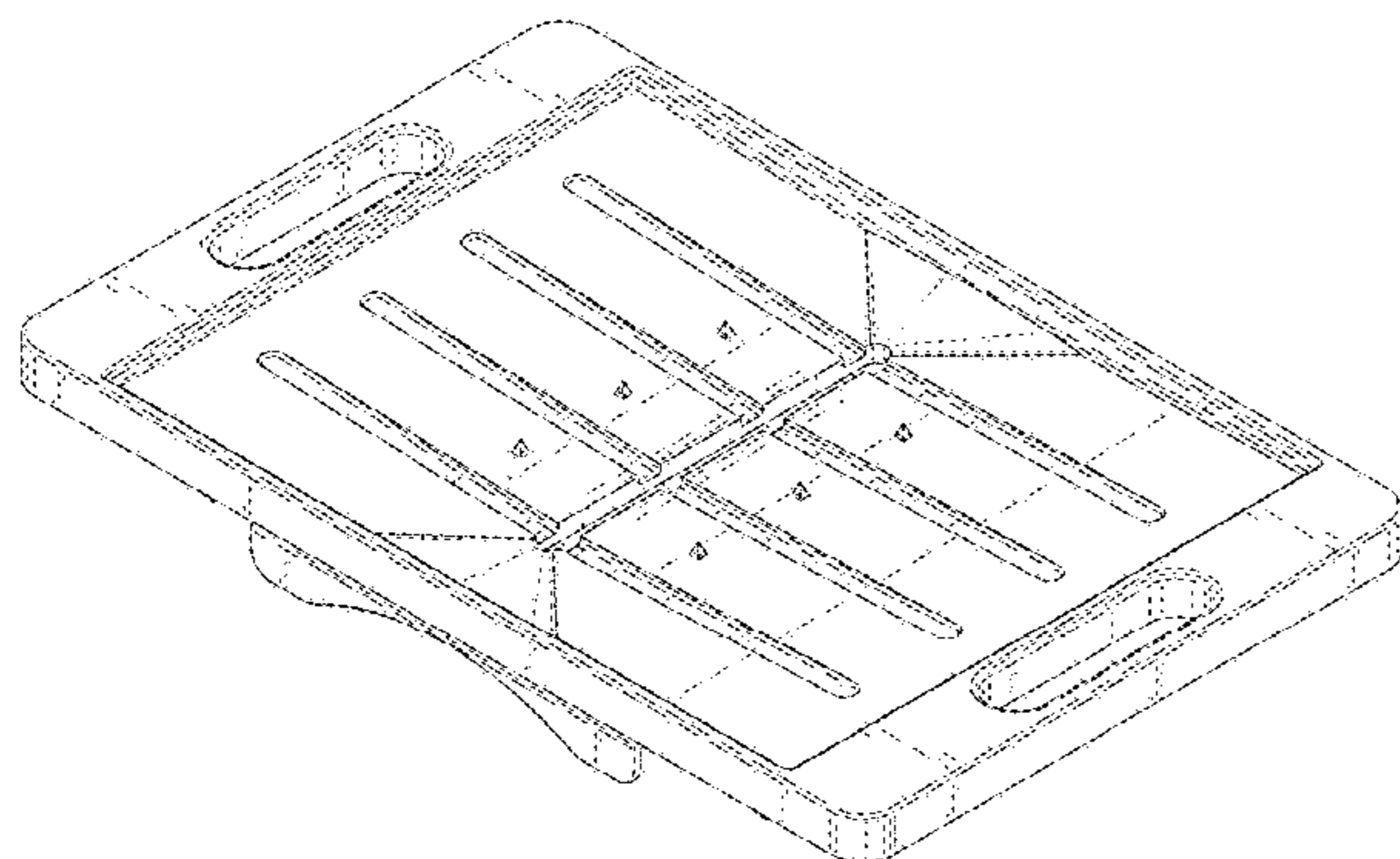
**DESCRIPTION**

U.S. PATENT DOCUMENTS

844,529 A 2/1907 Meyers  
943,767 A 12/1907 Bullard  
1,471,122 A 10/1923 Greaves  
1,693,761 A 12/1928 Macripo  
2,464,114 A 3/1949 Bloecher  
2,751,951 A 6/1956 Strathaus  
2,963,957 A 12/1960 Tashman  
3,030,994 A 4/1962 Wysowski  
3,385,357 A 5/1968 Burg  
3,713,188 A 1/1973 Holladay  
D283,777 S 5/1986 Morin  
4,930,759 A \* 6/1990 Potter ..... B23Q 1/032 269/289 R  
D337,186 S 7/1993 Drach

FIG. 1 is a top/right side perspective view of the carving board design.  
FIG. 2 is a top side view of the carving board design.  
FIG. 3 is a bottom side view of the carving board design.  
FIG. 4 is a left side view of the carving board design.  
FIG. 5 is a right side view of the carving board design.  
FIG. 6 is a front side view of the carving board design.  
FIG. 7 is a rear side view of the carving board design; and, FIG. 8 is a bottom/right side perspective view of the carving board design.  
The broken lines shown in FIGS. 3-8 represent portions of the carving board that form no part of the claim.

**1 Claim, 6 Drawing Sheets**



(56)

**References Cited**

U.S. PATENT DOCUMENTS

D472,776 S 4/2003 Porter  
D503,066 S \* 3/2005 Milti ..... D7/359  
D517,670 S \* 3/2006 Rocci ..... D23/308  
7,036,809 B1 \* 5/2006 Mitchell ..... A47J 47/16  
269/289 R  
D565,364 S 4/2008 Crossley et al.  
D574,200 S 8/2008 Pearl et al.  
D583,199 S 12/2008 Johnson et al.  
D605,908 S \* 12/2009 Pearl ..... D7/698  
D641,598 S 7/2011 Hashim  
D655,939 S \* 3/2012 Tracy ..... D7/698  
D701,095 S \* 3/2014 Arvan ..... D7/698  
D706,577 S \* 6/2014 Funnell, II ..... D7/354  
2003/0189152 A1 \* 10/2003 Elder ..... B65D 19/0036  
248/346.02

\* cited by examiner

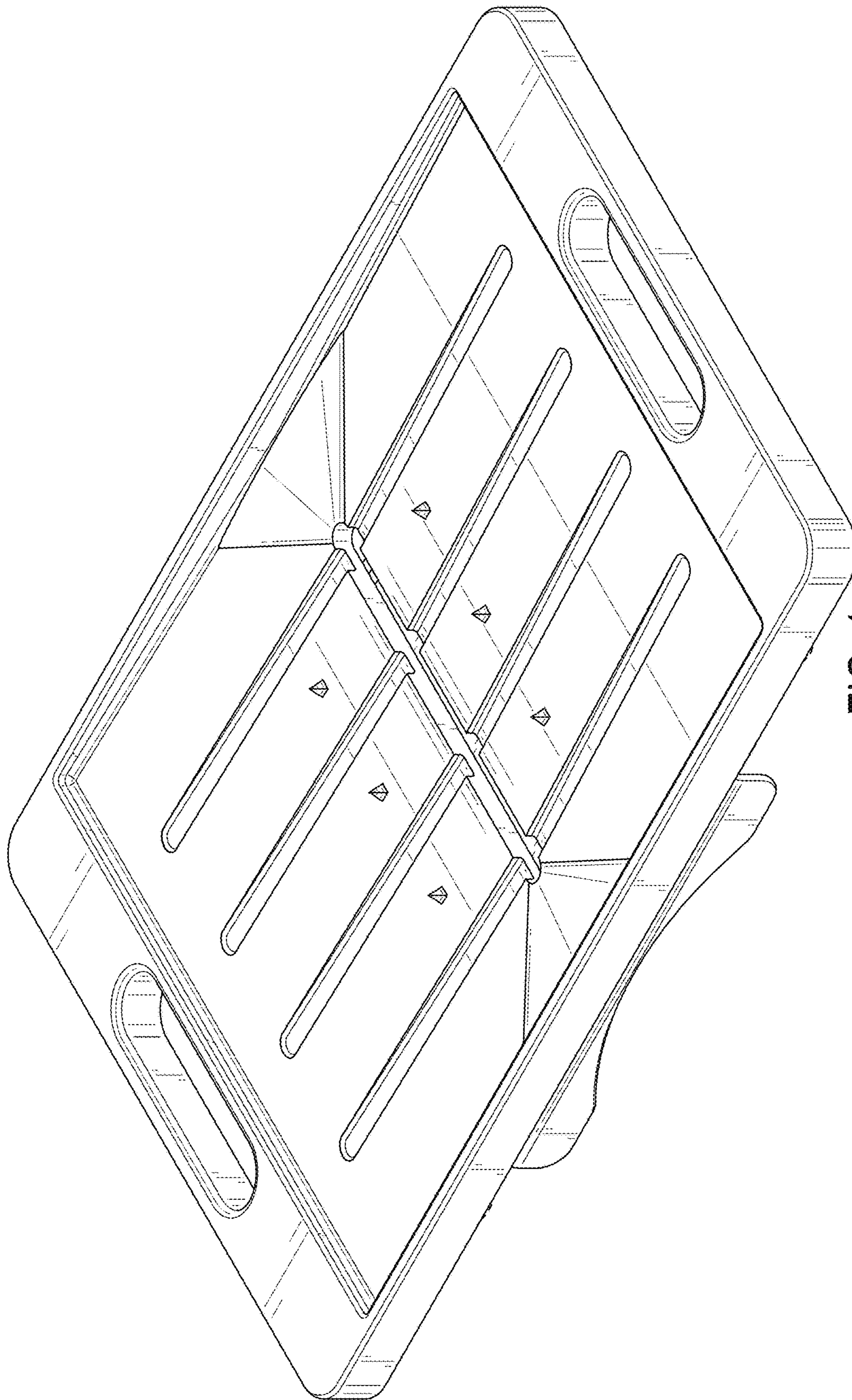


FIG. 1

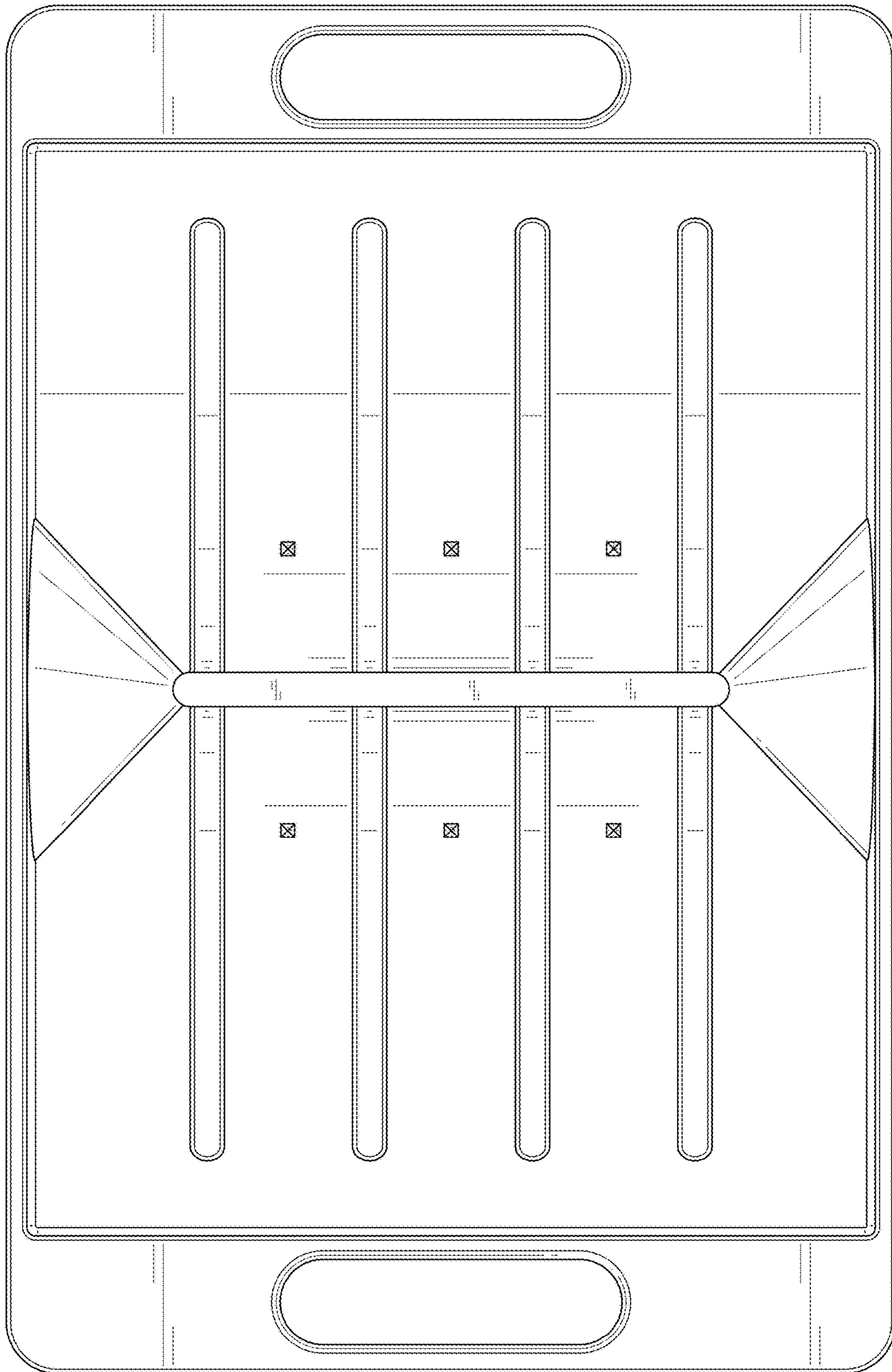


FIG. 2

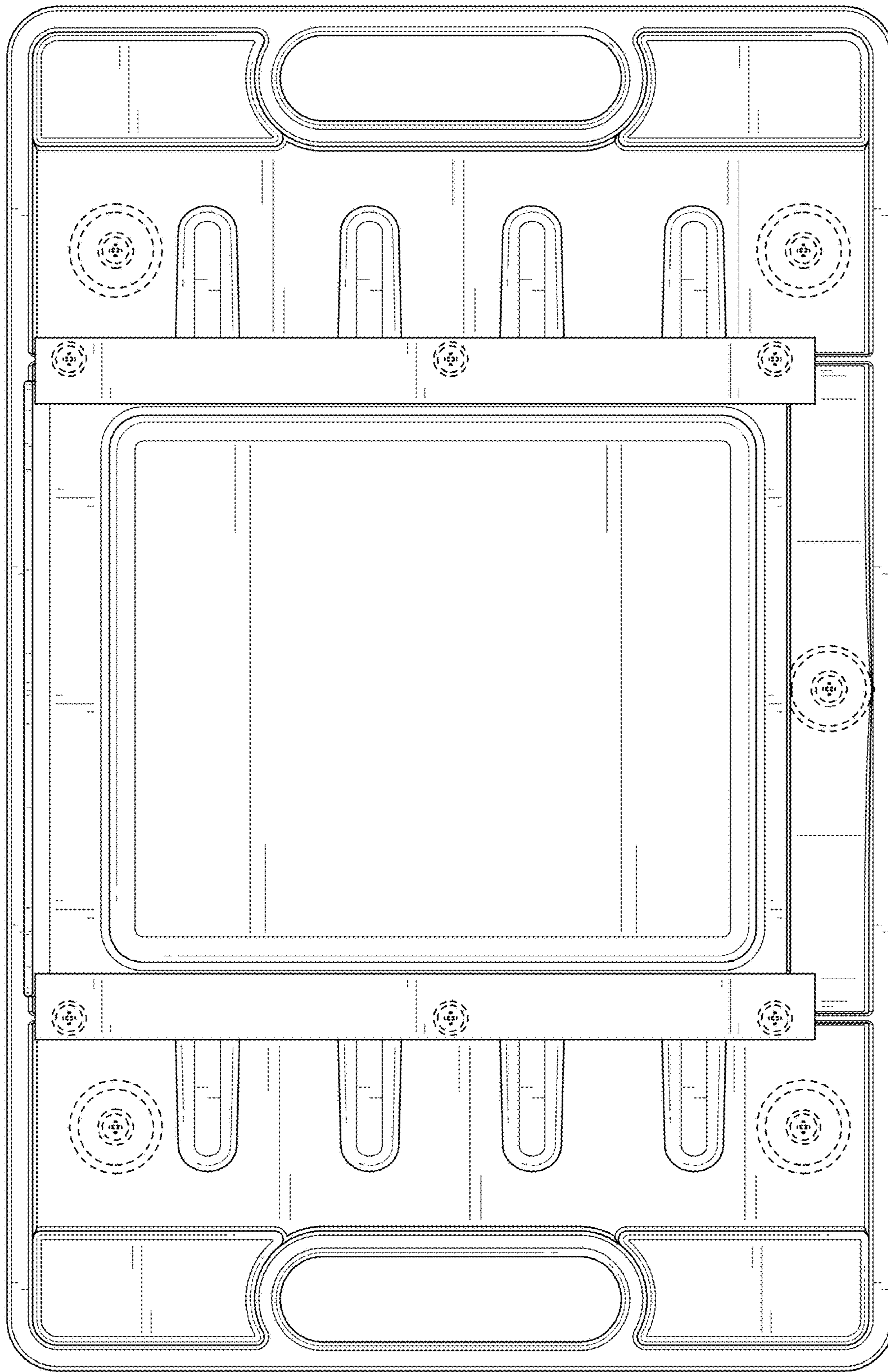


FIG. 3

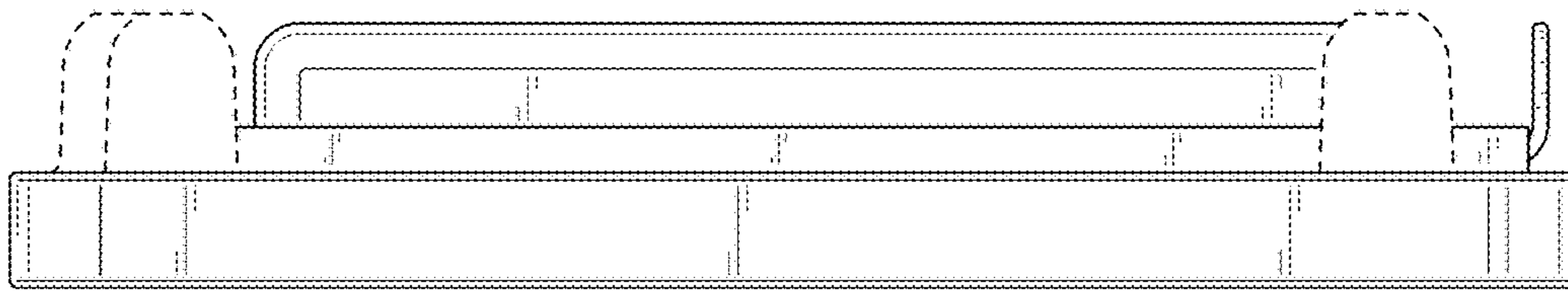


FIG. 5

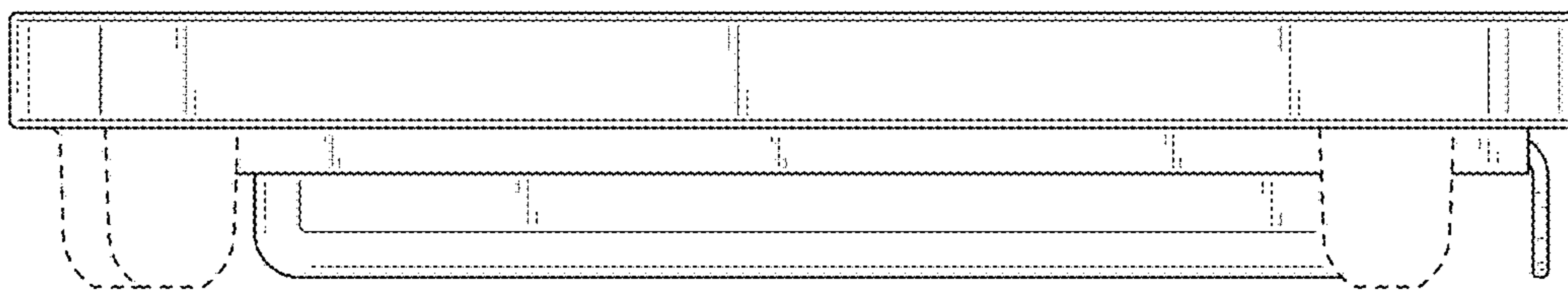


FIG. 4

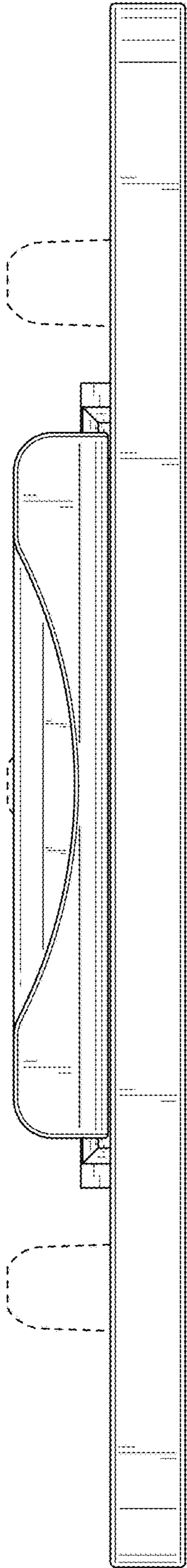


FIG. 6

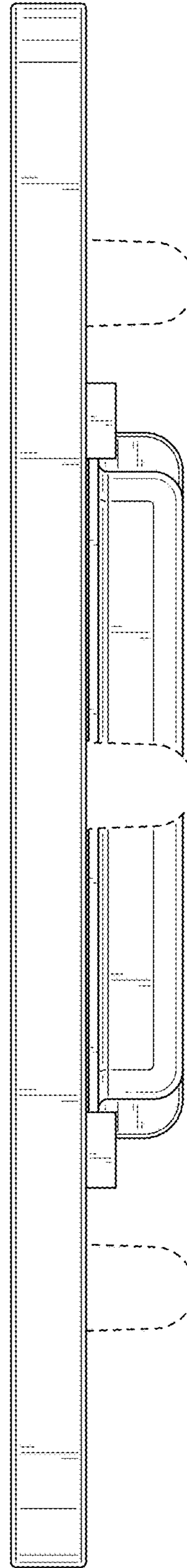


FIG. 7

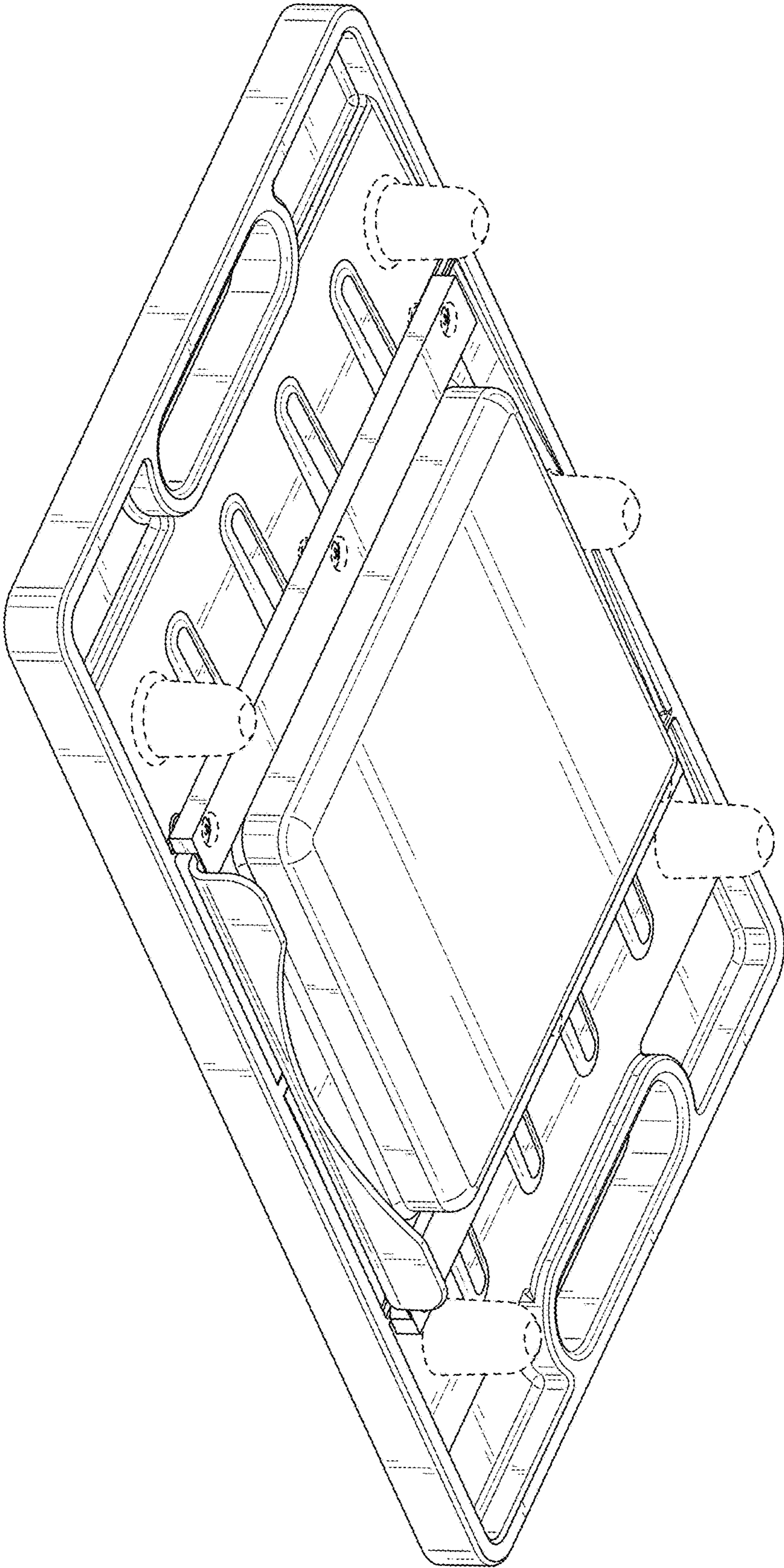


FIG. 8